



US00D357548S

**United States Patent** [19]  
**Mattijssen**

[11] **Patent Number: Des. 357,548**  
[45] **Date of Patent: \*\* Apr. 18, 1995**

[54] **FLOODLIGHT LUMINAIRE**

[56] **References Cited**  
**PUBLICATIONS**

[75] **Inventor: Eric M. A. Mattijssen, Eindhoven, Netherlands**

North Stars "Guide to Innovative Lighting" catalog, 1986, p. 14, floodlight. (gr-2900-Floodlight Box).  
Stoncoline Lighting Price Guide, 1977, p. 15, Quartz Floodlight (gr-2900-Floodlight Box).

[73] **Assignee: U.S. Philips Corporation, New York, N.Y.**

*Primary Examiner*—Susan J. Lucas  
*Attorney, Agent, or Firm*—Jack E. Haken

[\*\*] **Term: 14 Years**

[57] **CLAIM**

The ornamental design for a floodlight luminaire, as shown.

[21] **Appl. No.: 20,400**

**DESCRIPTION**

[22] **Filed: Mar. 24, 1994**

FIG. 1 is a front, right side, perspective view showing my new design;

[52] **U.S. Cl. .... D26/63**

FIG. 2 is a front elevational view thereof;

[58] **Field of Search ..... D26/60, 61, 63, 64, D26/65, 66; 362/269, 271, 272, 275, 418, 419, 427**

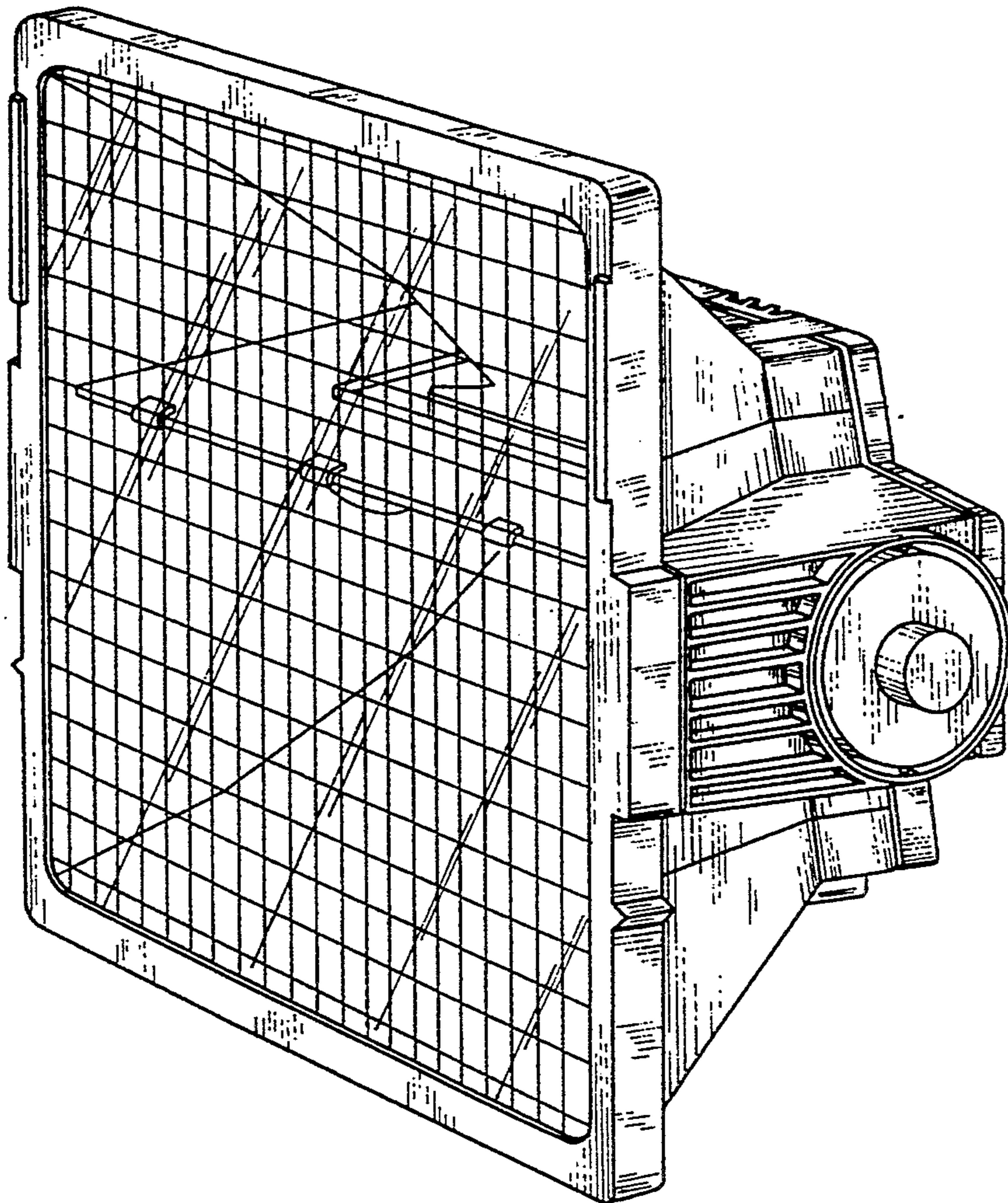
FIG. 3 is a rear elevational view thereof;

FIG. 4 is a right side elevational view thereof;

FIG. 5 is a left side elevational view thereof;

FIG. 6 is a top plan view thereof; and,

FIG. 7 is a bottom plan view thereof.



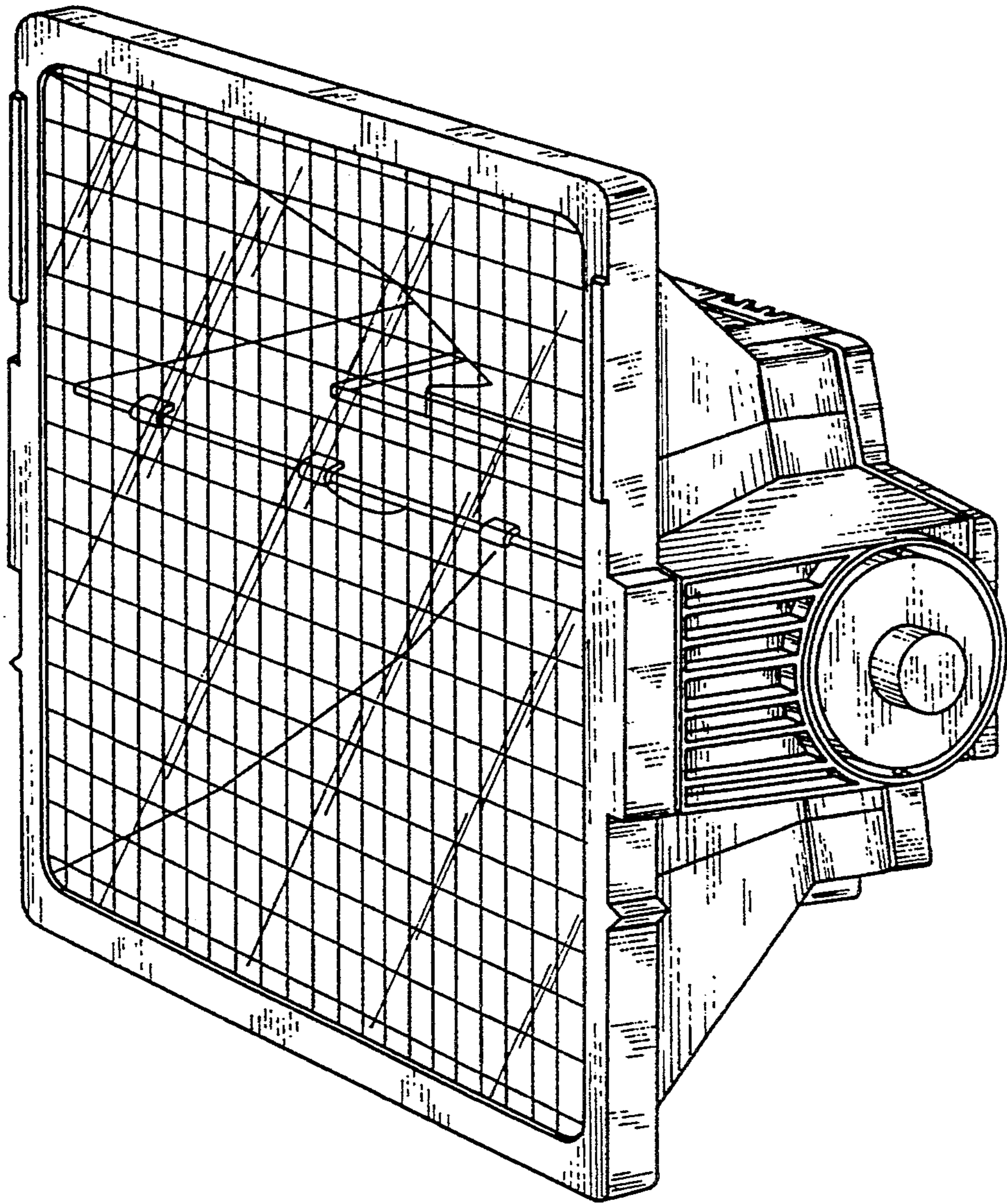


FIG. 1

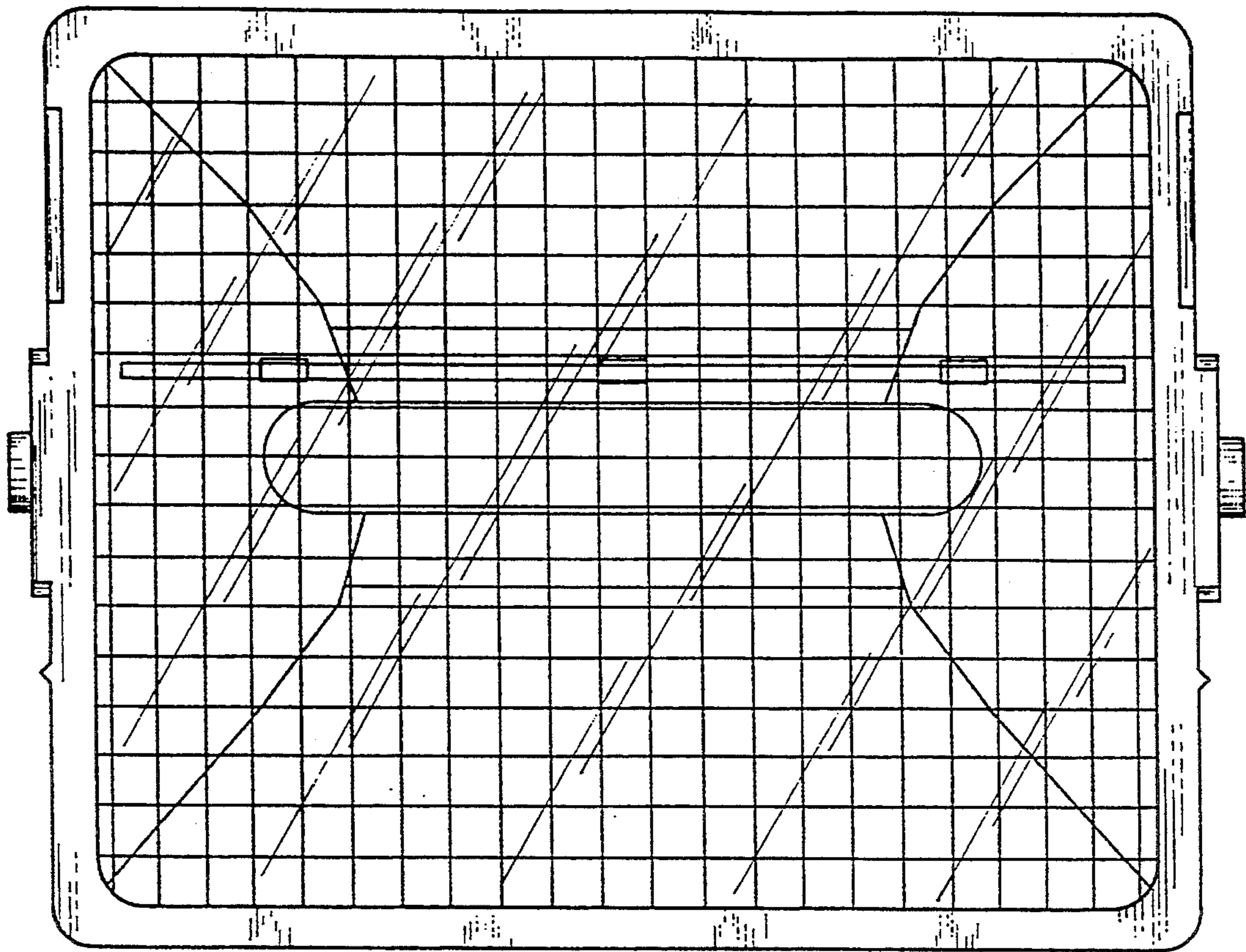


FIG. 2

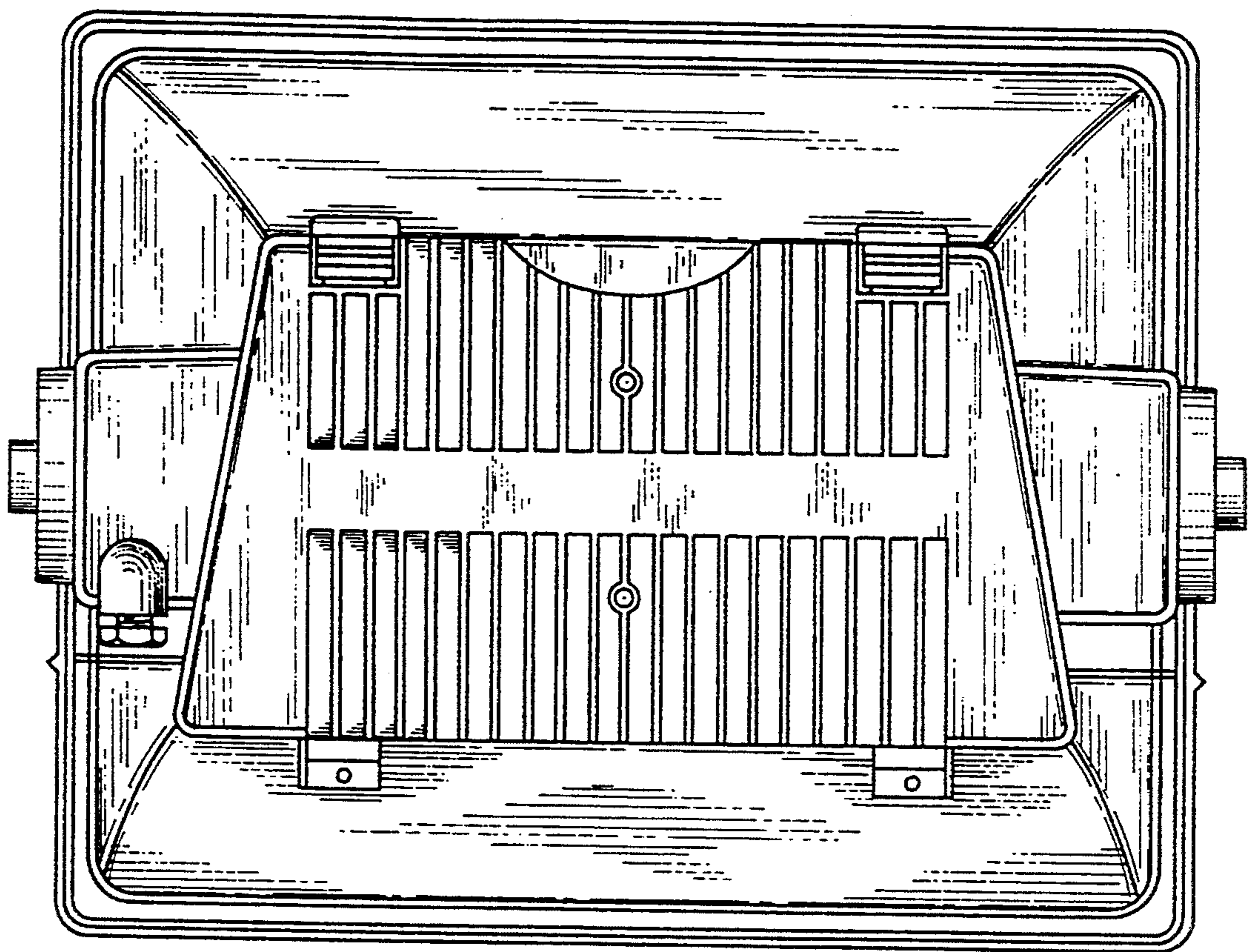


FIG. 3

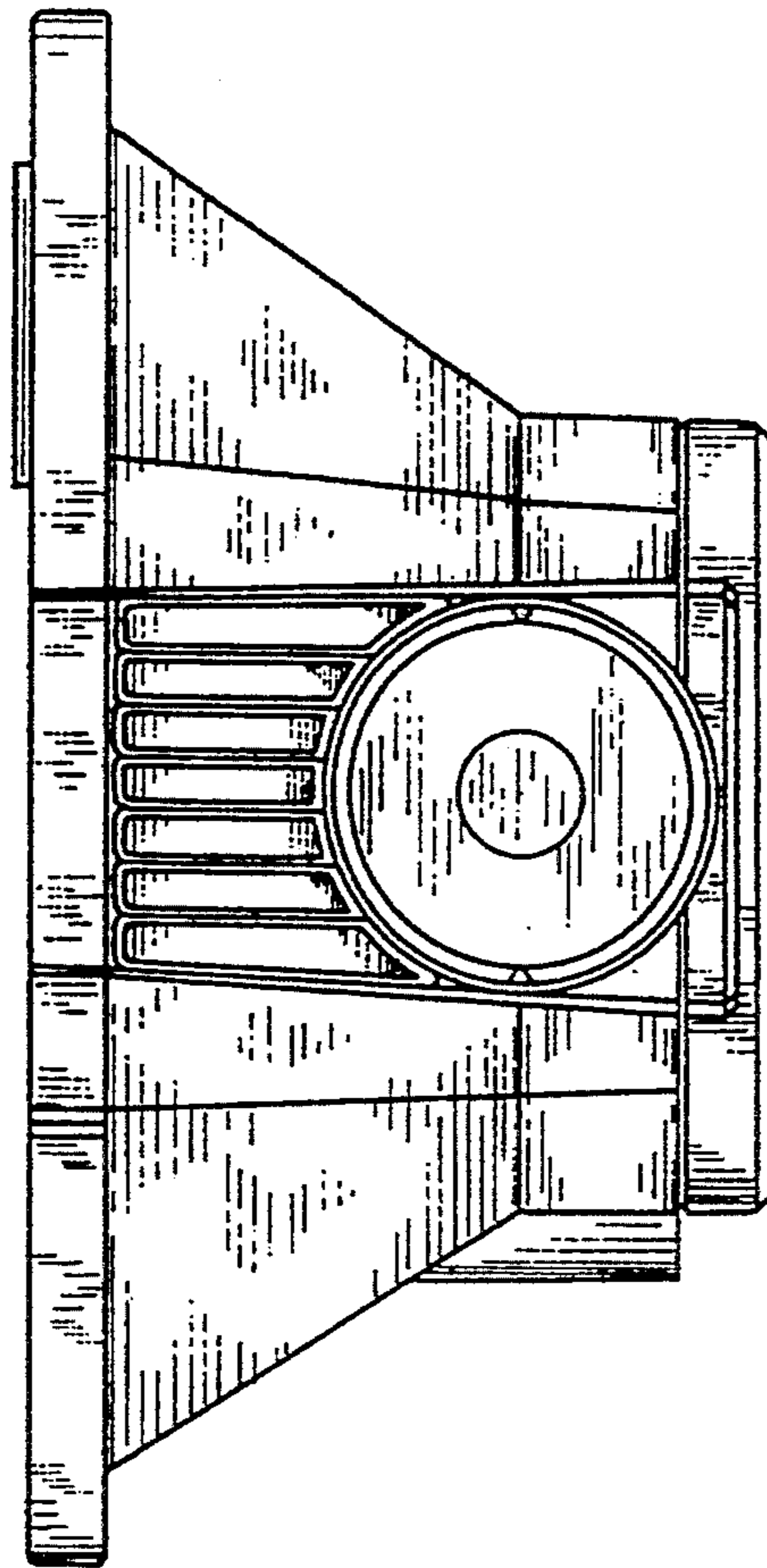


FIG. 4

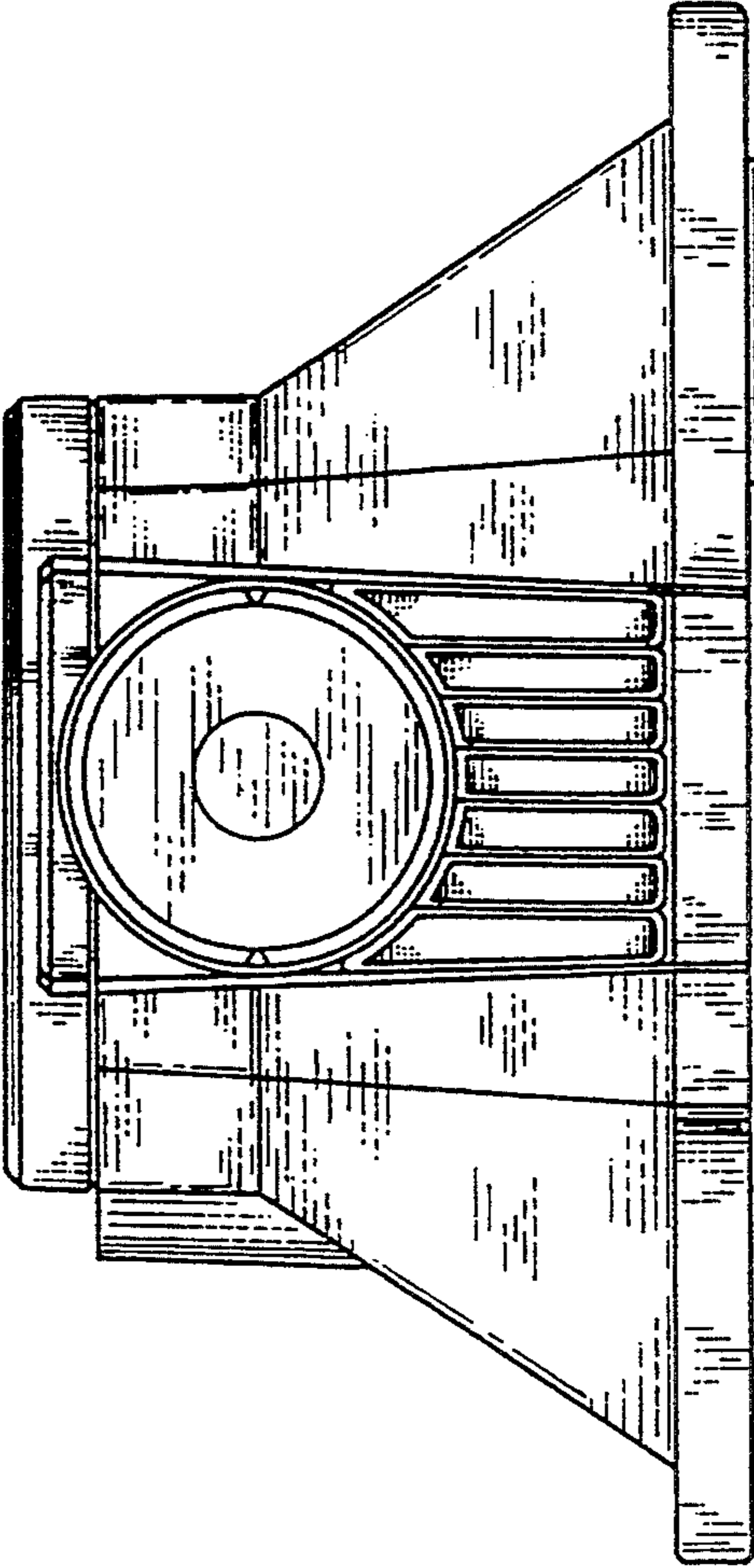


FIG. 5

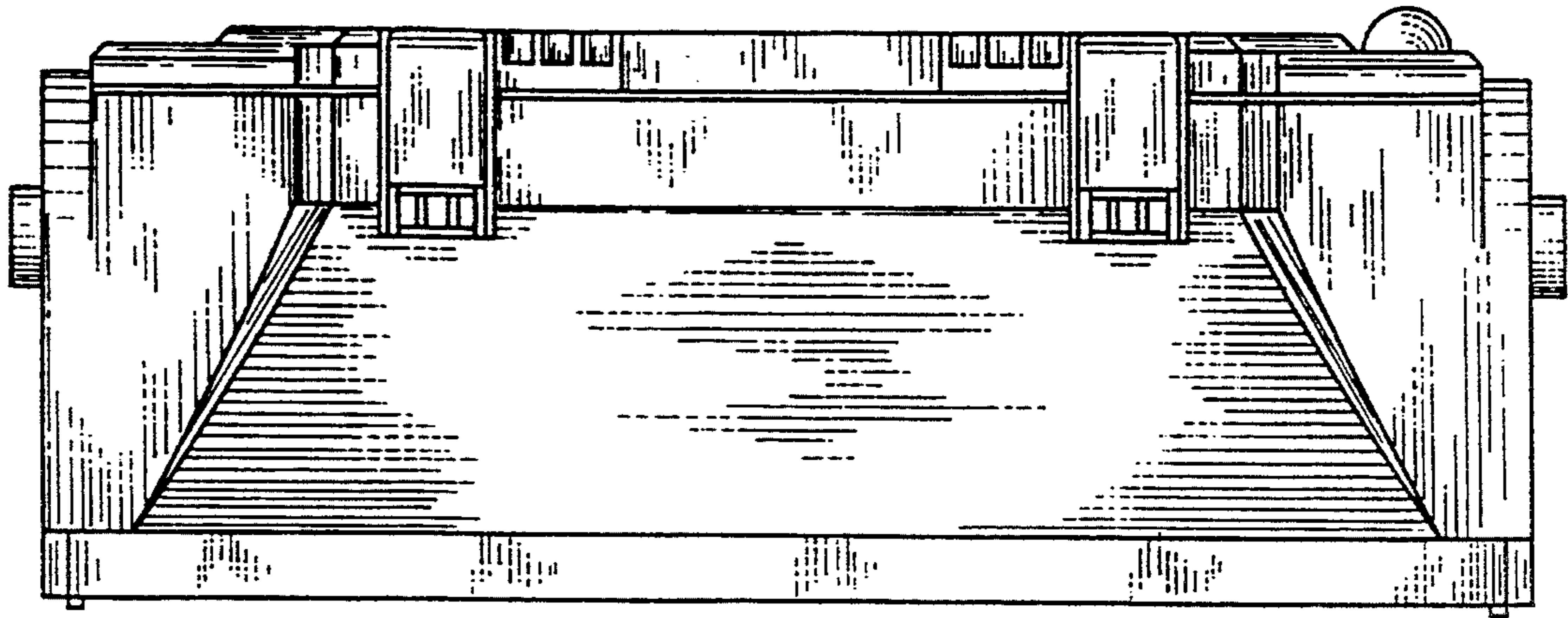


FIG. 6

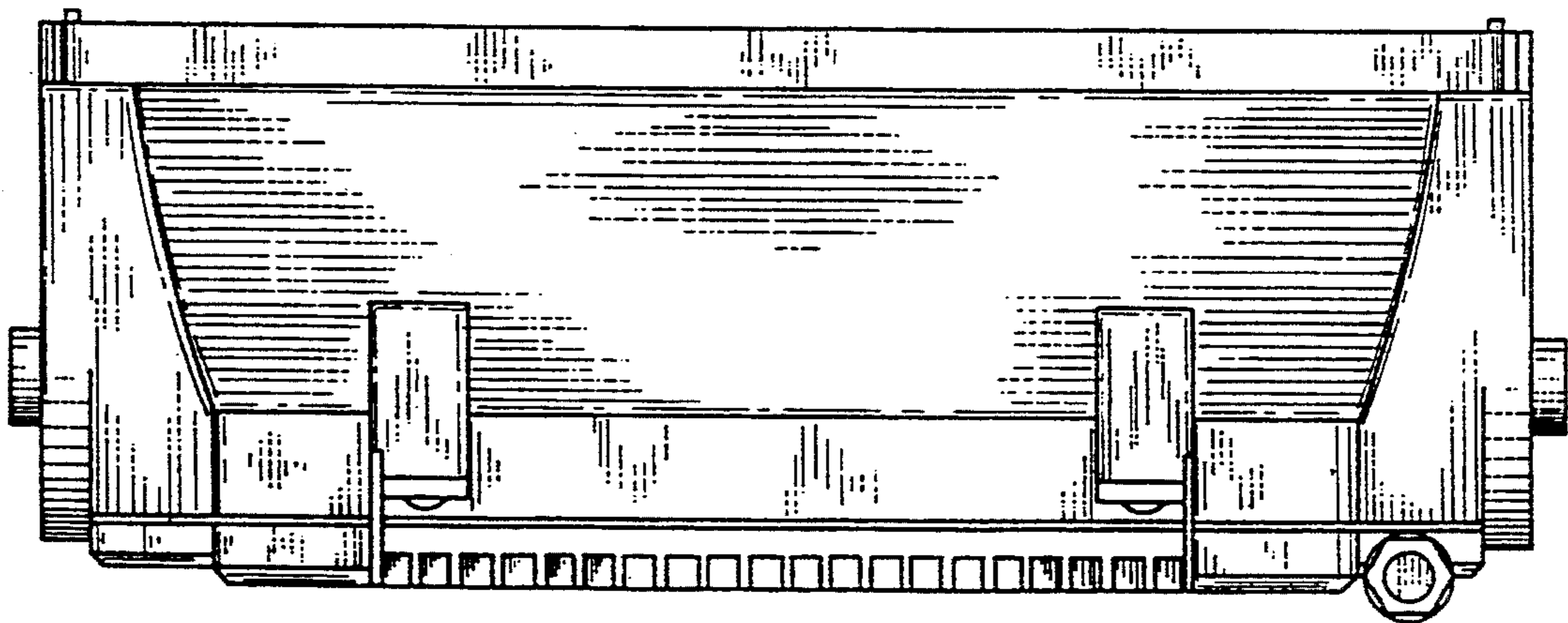


FIG. 7