



US00D357545S

United States Patent [19]

[11] Patent Number: **Des. 357,545**

Cole

[45] Date of Patent: **** Apr. 18, 1995**

[54] WINDOW COMPONENT EXTRUSION

4,428,156 1/1984 Malm et al. 49/504

[75] Inventor: **Douglas L. Cole**, Seattle, Wash.

Primary Examiner—Doris Clark

[73] Assignee: **Mikron Industries**, Kent, Wash.

Attorney, Agent, or Firm—Seed and Berry

[**] Term: **14 Years**

[57] **CLAIM**

[21] Appl. No.: **9,468**

The ornamental design for a window component extrusion, as shown and described.

[22] Filed: **Jun. 14, 1993**

DESCRIPTION

[52] U.S. Cl. **D25/124**

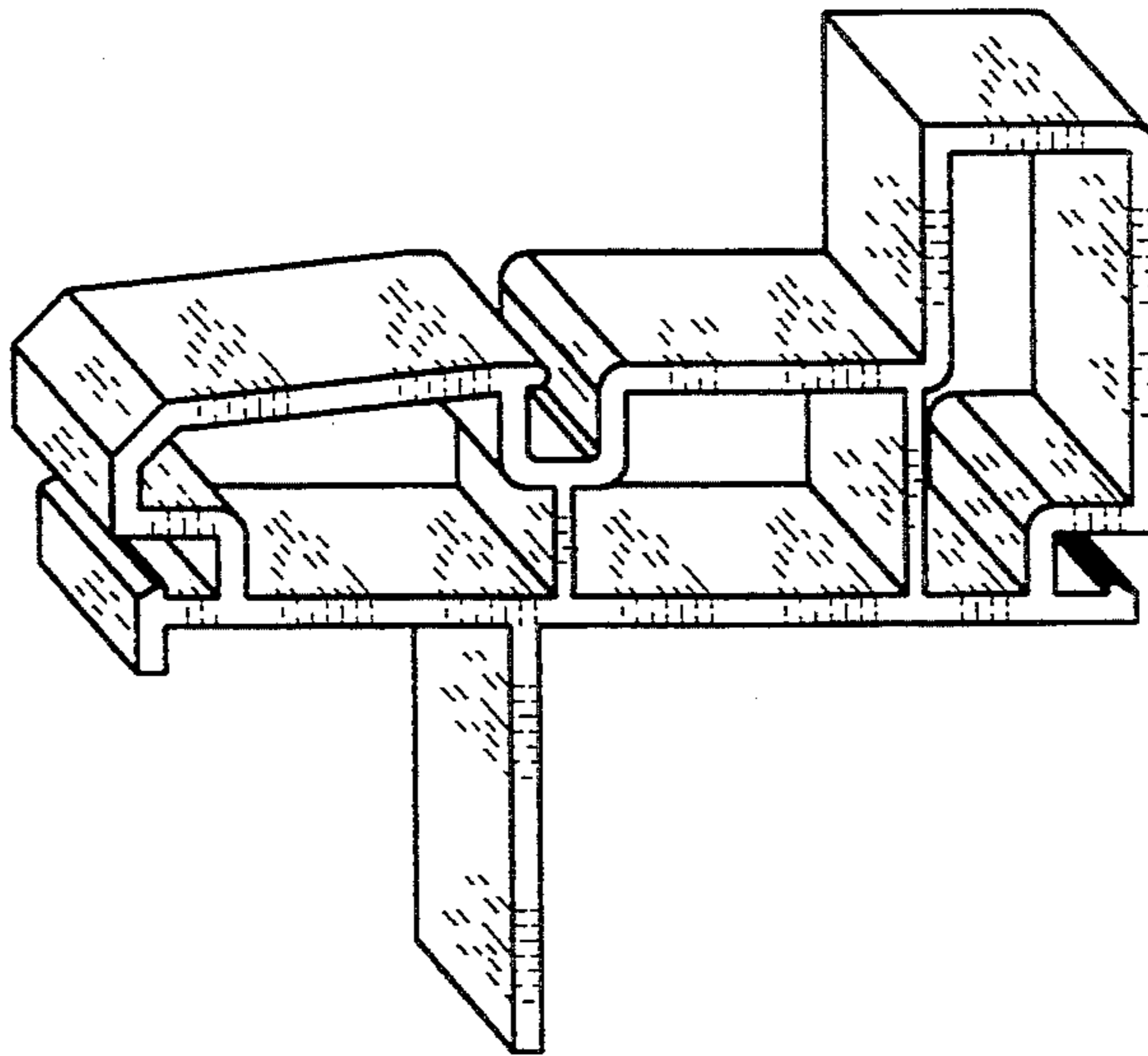
FIG. 1 is a top right perspective view of a window component extrusion showing my new design, the window component extrusion being of indefinite length; FIG. 2 is a bottom left perspective view thereof; FIG. 3 is a top right perspective view of a second embodiment of a window component extrusion showing my new design, the window component extrusion being of indefinite length; and, FIG. 4 is a bottom left perspective view thereof.

[58] Field of Search D25/52, 124, 60;
49/DIG. 2, 504-505; 52/204.5, 204.56, 204.51,
730.3

[56] **References Cited**

U.S. PATENT DOCUMENTS

D. 344,600 2/1994 Bancroft D25/124



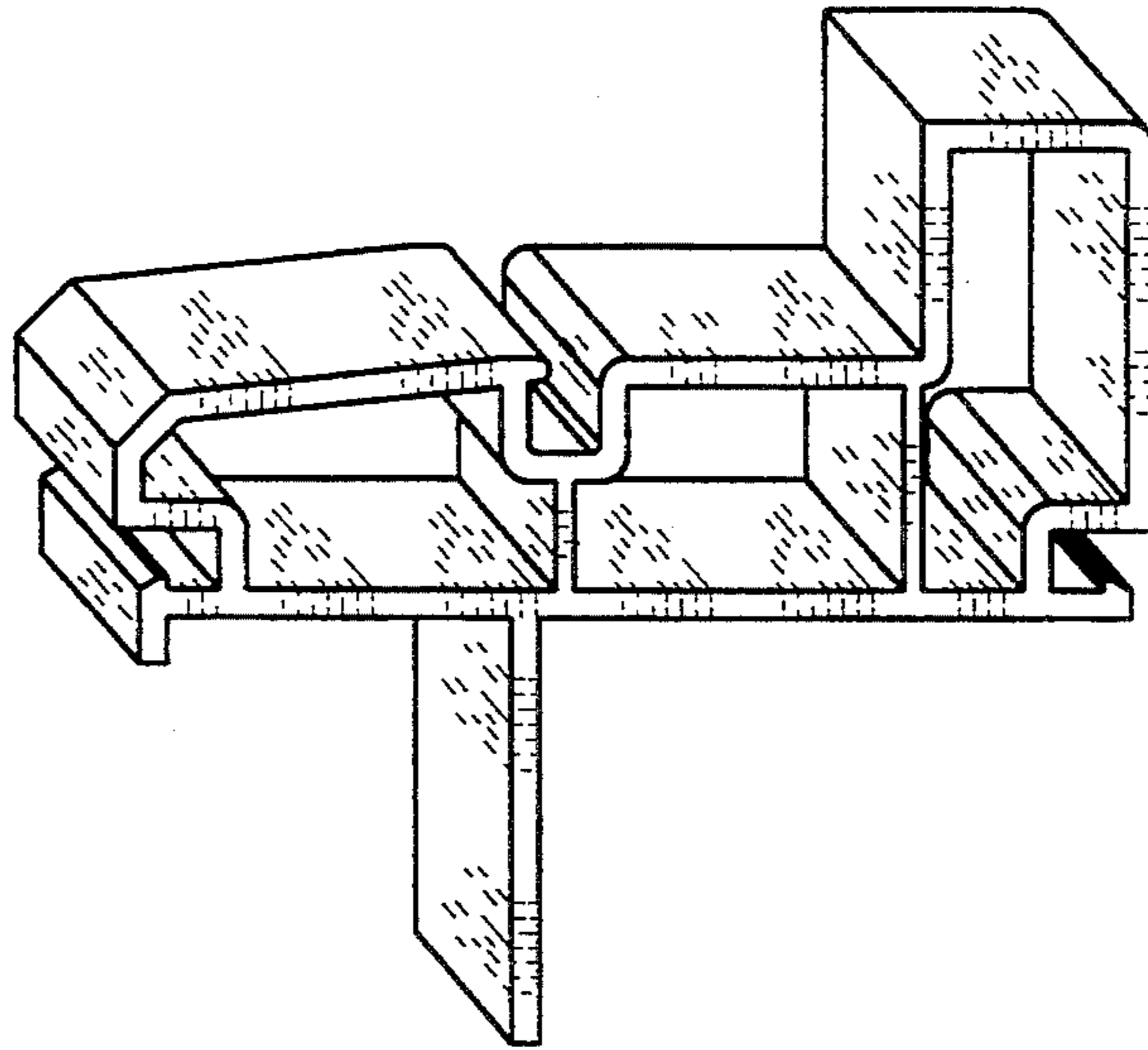


FIG. 1

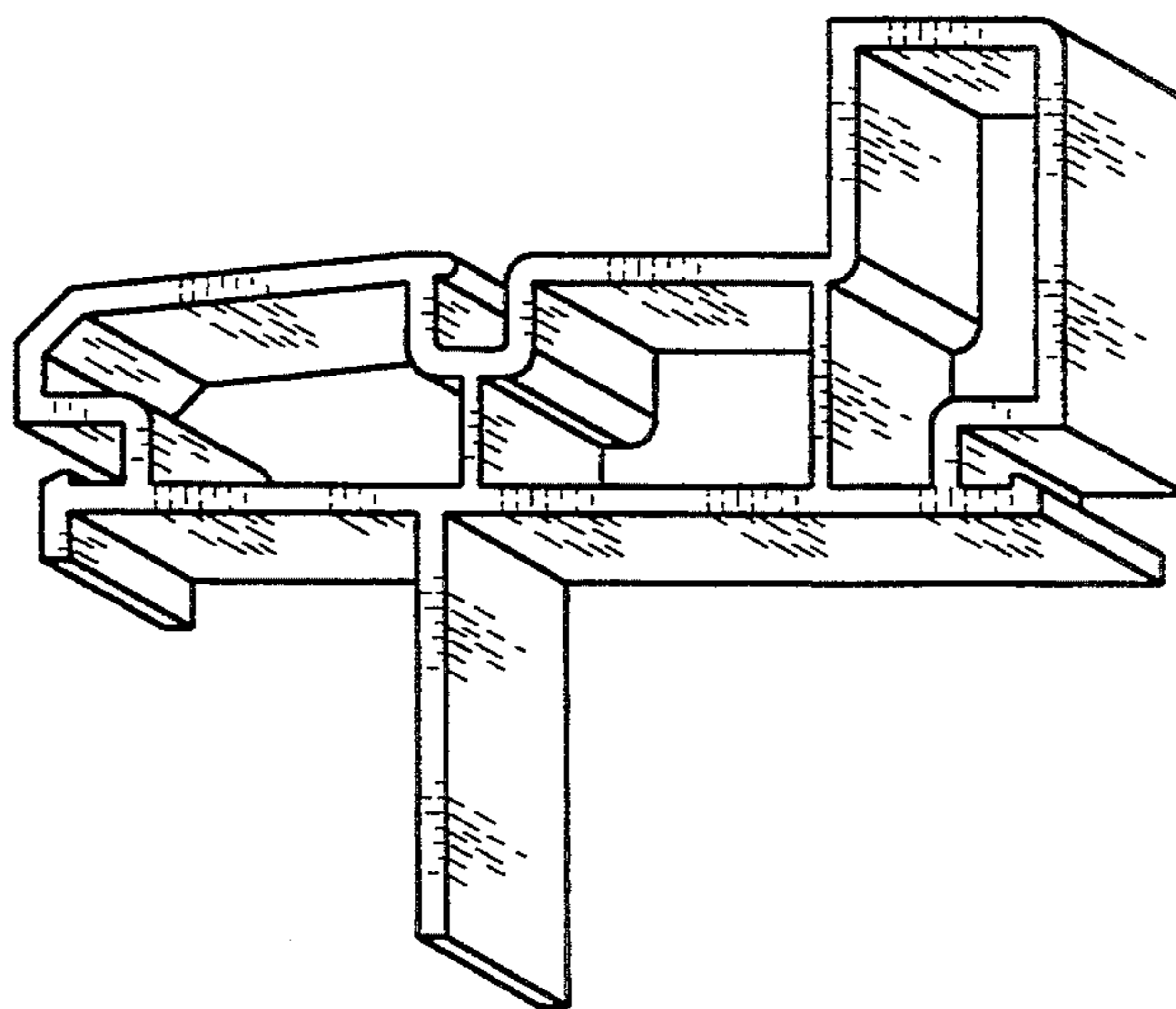


FIG. 2

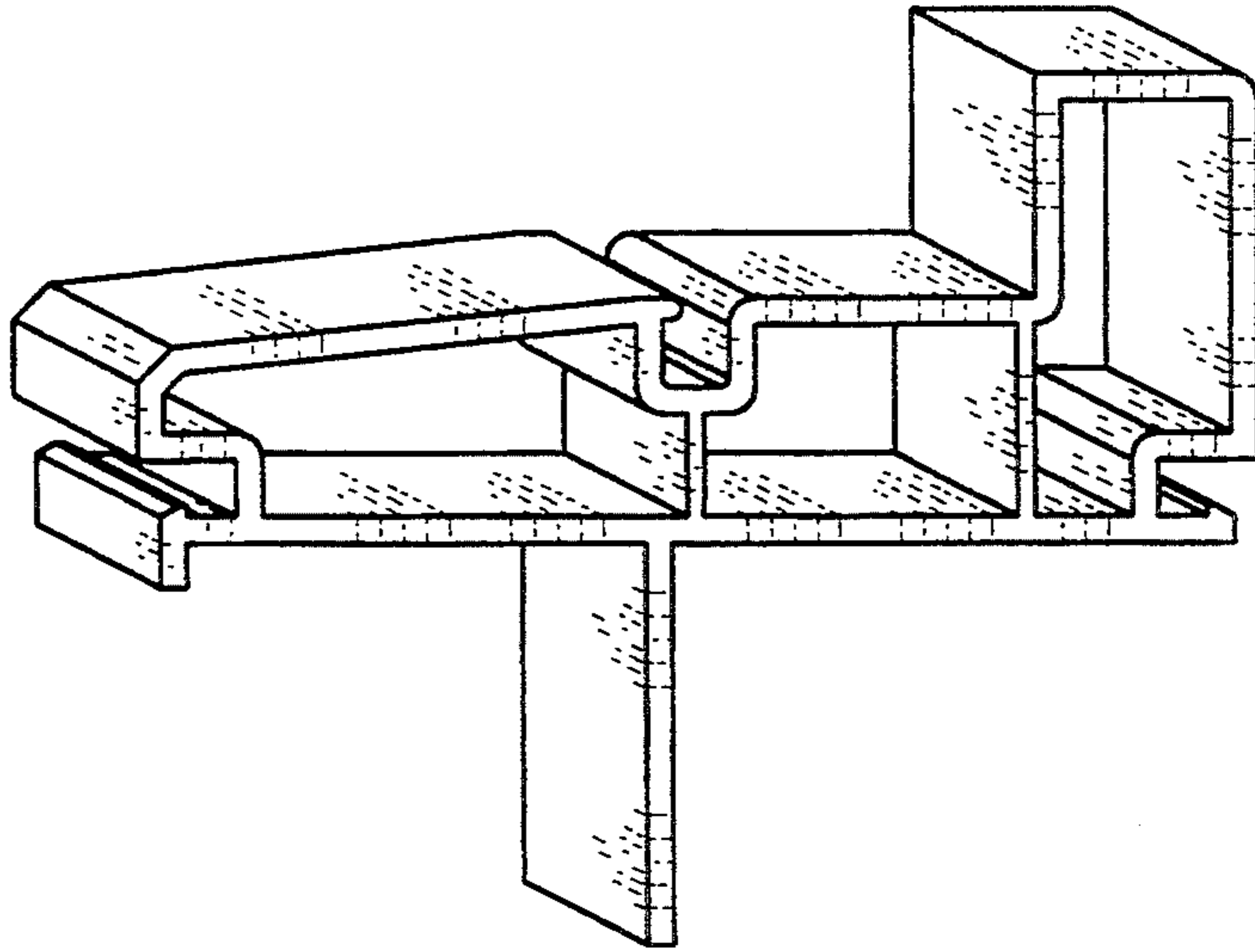


FIG. 3

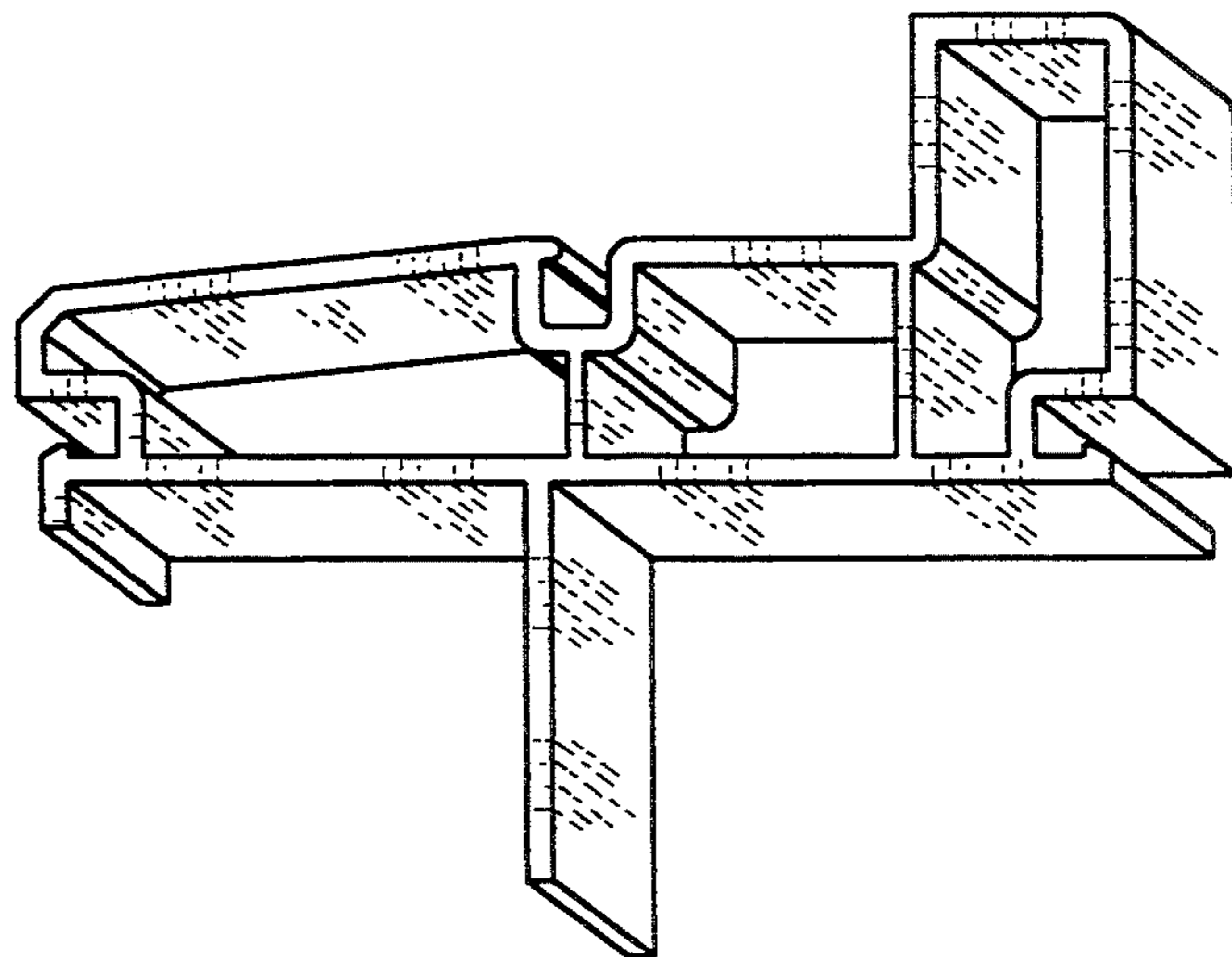


FIG. 4