



US00D357544S

United States Patent [19]

[11] Patent Number: **Des. 357,544**

Spransy

[45] Date of Patent: **** Apr. 18, 1995**

[54] **INTERSECTIONAL CASTING FOR CEILING GRID SUPPORT SYSTEM**

[75] Inventor: **Peter Spransy, Salt Lake City, Utah**

[73] Assignee: **DAW Technologies, Inc., Salt Lake City, Utah**

[**] Term: **14 Years**

[21] Appl. No.: **843,099**

[22] Filed: **Mar. 2, 1992**

[52] U.S. Cl. **D25/58; D25/119**

[58] Field of Search 52/481, 487, 489, 484, 52/762, 771, 726.1, 276, 280, 611, 665, 715, 719; 403/217, 169, 231; D25/58, 199, 119; 248/317, 342-343

[56] **References Cited**

U.S. PATENT DOCUMENTS

D. 299,546 1/1989 Larsson D25/119
1,910,160 5/1933 Gorman 52/460

| | | | |
|-----------|---------|----------------------|--------|
| 2,249,106 | 7/1941 | Baumgarth | 52/460 |
| 3,785,110 | 1/1974 | Galloway et al. | 52/665 |
| 4,570,391 | 2/1986 | Quante et al. | 52/665 |
| 4,724,650 | 2/1988 | Carey et al. | 52/665 |
| 4,742,662 | 5/1988 | Smith | 52/489 |
| 4,881,354 | 11/1989 | Pitt | 52/665 |

Primary Examiner—Doris Clark
Attorney, Agent, or Firm—Trask, Britt & Rossa

[57] **CLAIM**

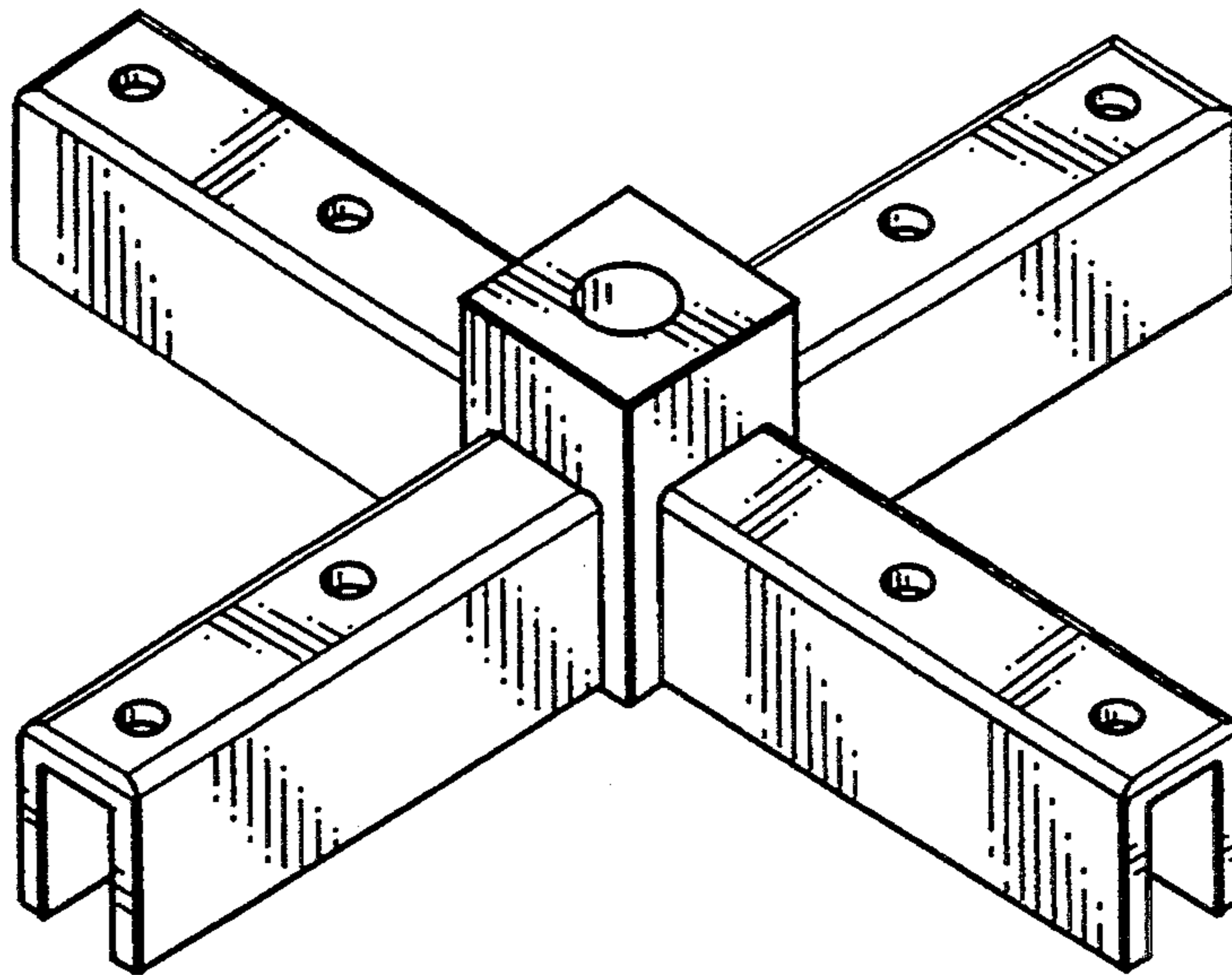
The ornamental design for an intersectional casting for ceiling grid support system, as shown and described.

DESCRIPTION

FIG. 1 shows a perspective view of my new design for an intersectional casting for ceiling grid support system; FIG. 2 shows a top plan view of my design as shown in FIG. 1;

FIG. 3 shows a bottom plan view of my design as shown in FIG. 1; and,

FIG. 4 shows a side view of my design, taken along any one of the four axial extensions.



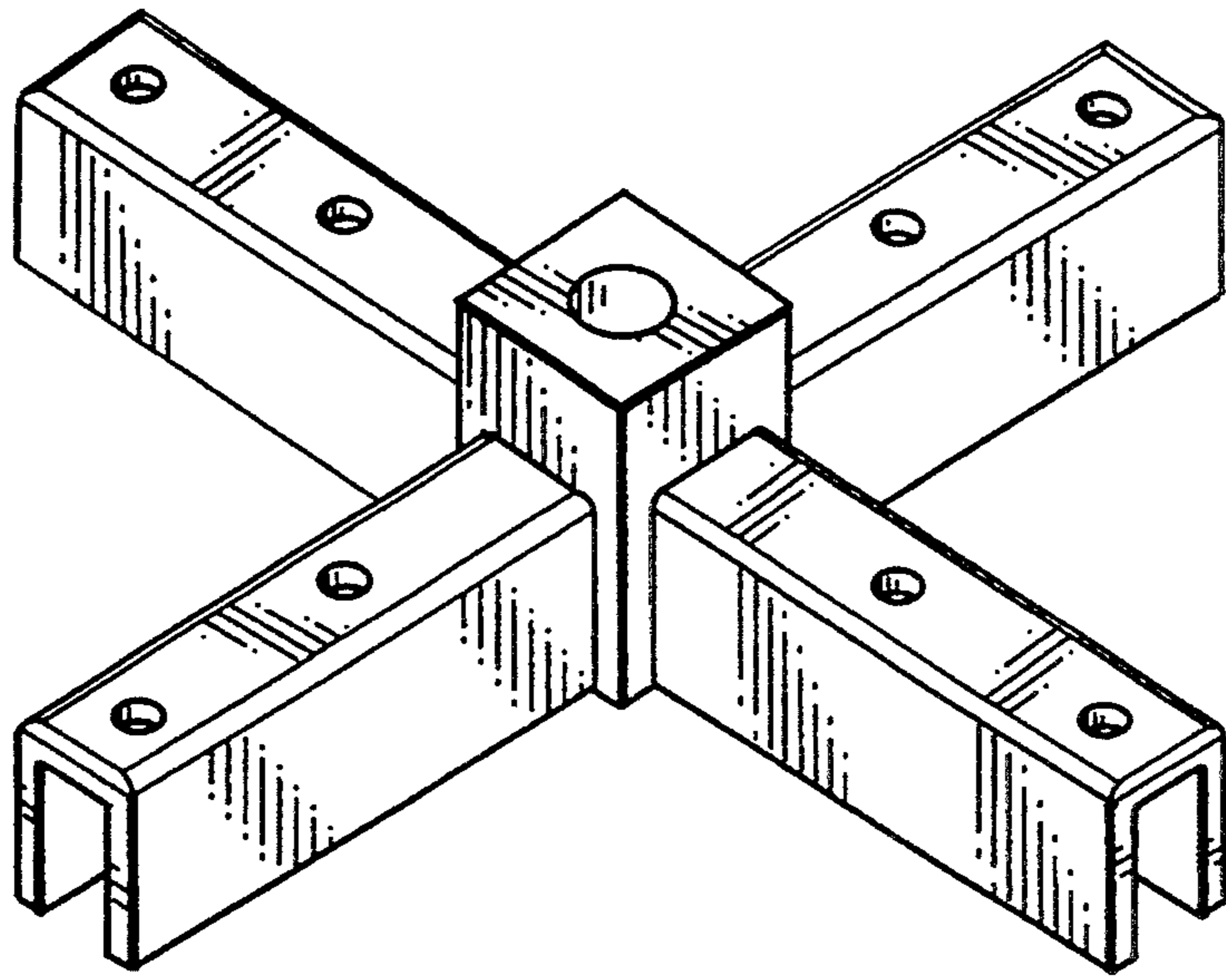


Fig. 1

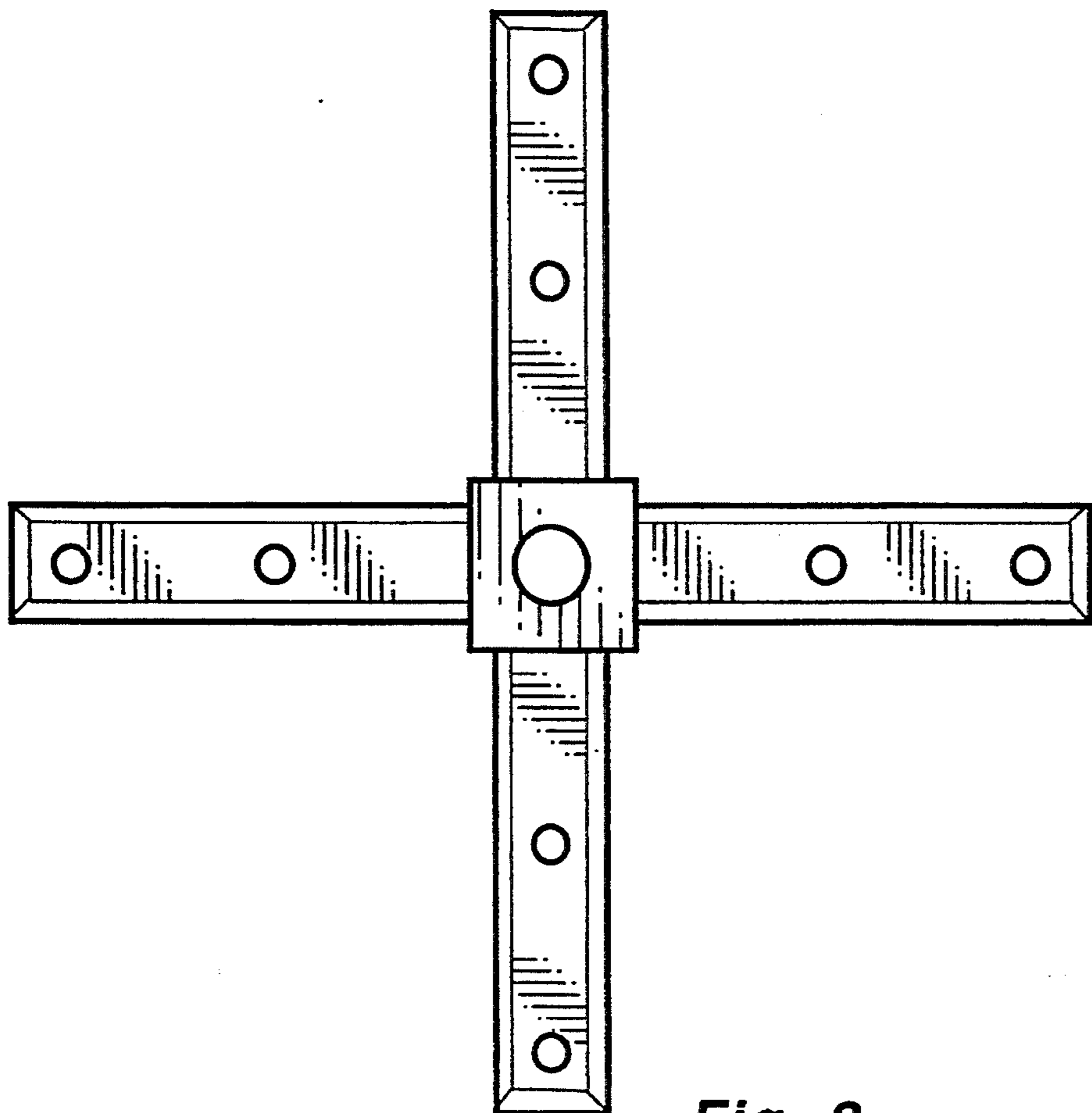


Fig. 2

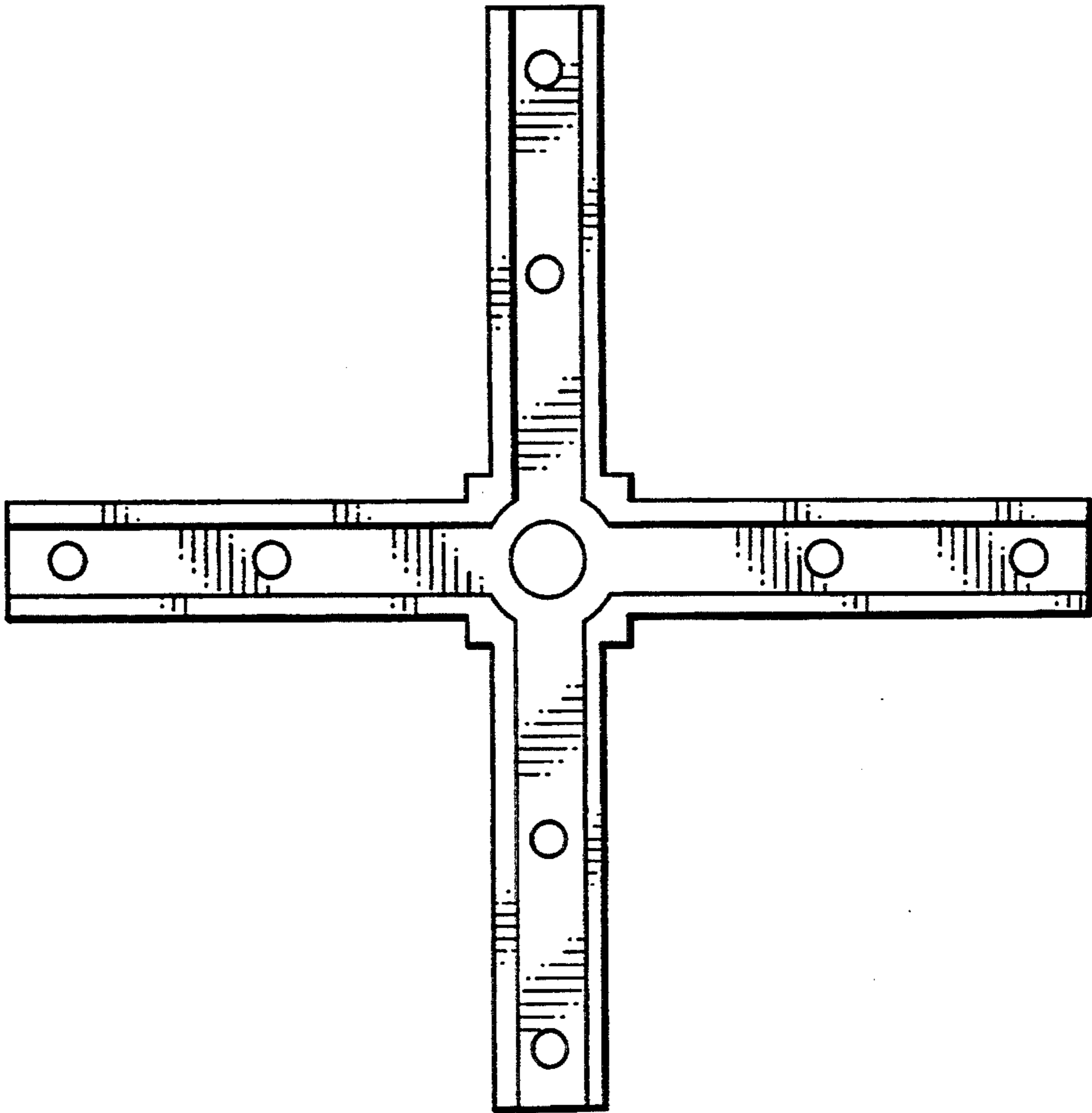


Fig. 3

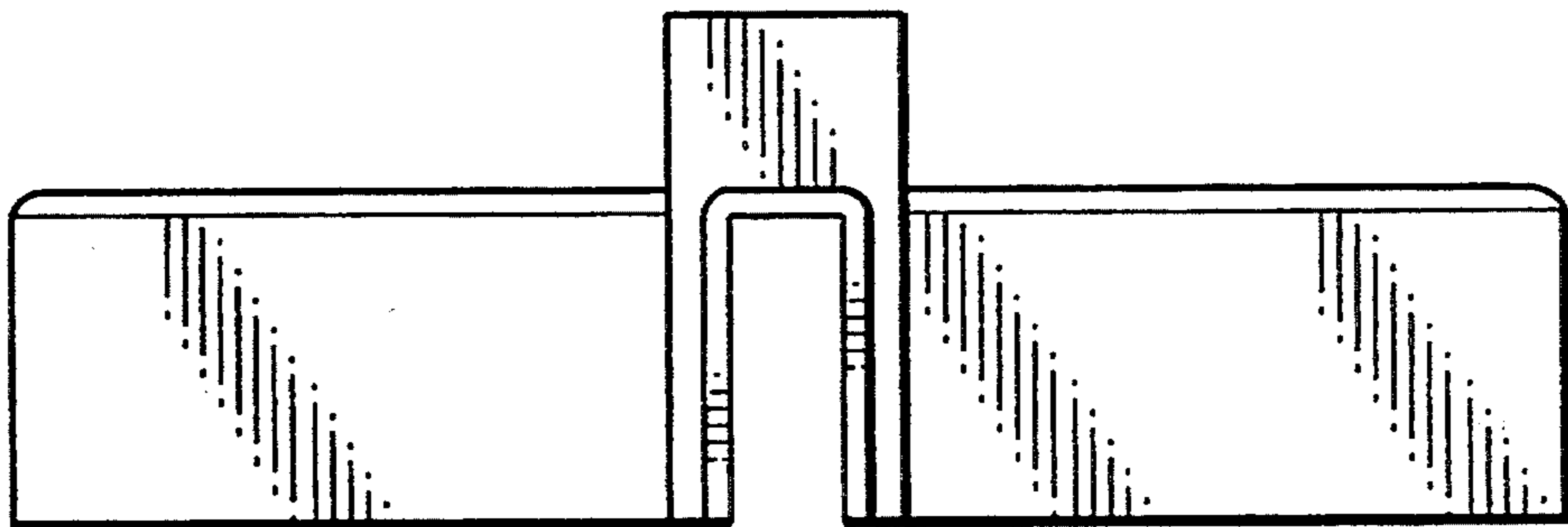


Fig. 4