



US00D357543S

United States Patent [19]

[11] Patent Number: **Des. 357,543**

Holmstadt et al.

[45] Date of Patent: **** Apr. 18, 1995**

[54] **BASE FOR A PORTABLE BUILDING**

[75] Inventors: **Ronald J. Holmstadt**, Eden Prairie;
Randy R. Zenner, Maple Grove;
Douglas E. Loebertmann, Shakopee,
all of Minn.

[73] Assignee: **Satellite Industries, Inc.**, Plymouth,
Minn.

[**] Term: **14 Years**

[21] Appl. No.: **7,988**

[22] Filed: **May 6, 1993**

[52] U.S. Cl. **D25/138**

[58] Field of Search **D25/35, 138, 16;**
D23/283, 27; 4/524, 516, 596, 610, 460, 462;
52/79.1, 264

4,380,836	4/1983	Braxton	4/460
4,446,585	5/1984	Harding et al.	4/460
4,469,102	9/1984	Fish	D25/16
4,574,025	3/1986	Juaire et al.	156/245
4,577,351	3/1986	Harding	4/460
4,621,380	11/1986	McGill	4/460
4,689,917	9/1987	Juaire et al.	49/380
4,744,111	5/1988	Tegg et al.	4/460
4,831,671	5/1989	Harding	4/460
4,918,765	4/1990	Harding	4/460
4,987,619	1/1991	Smith	52/264
5,036,634	8/1991	Lessard et al.	D25/16

Primary Examiner—Doris Clark

Attorney, Agent, or Firm—Harold D. Jastram; Robert A. Elwell

[57] CLAIM

The ornamental design for a base for a portable building, as shown and described.

DESCRIPTION

FIG. 1 is a perspective view of a base for a portable building showing our new design; FIG. 2 is another perspective view showing the bottom thereof; FIG. 3 is a top plan view thereof; FIG. 4 is a rear elevational view thereof; FIG. 5 is a front elevational view thereof; FIG. 6 is a bottom plan view thereof; FIG. 7 is a left side elevational view thereof; and, FIG. 8 is a right side elevational view thereof.

[56] References Cited

U.S. PATENT DOCUMENTS

D. 282,782	2/1986	Juaire et al.	25/48
D. 288,718	3/1987	Juaire et al.	25/48
D. 335,336	5/1993	Stiefel	D23/283
D. 337,831	7/1993	McNamara et al.	25/16
3,447,167	6/1969	Harding	4/462
3,648,299	3/1972	Dorst	4/524
3,835,480	9/1974	Harding	4/116
4,065,885	1/1978	Blick, III et al.	52/143
4,067,156	1/1978	Downing, Jr.	D25/138
4,305,164	12/1981	Sargent et al.	4/462

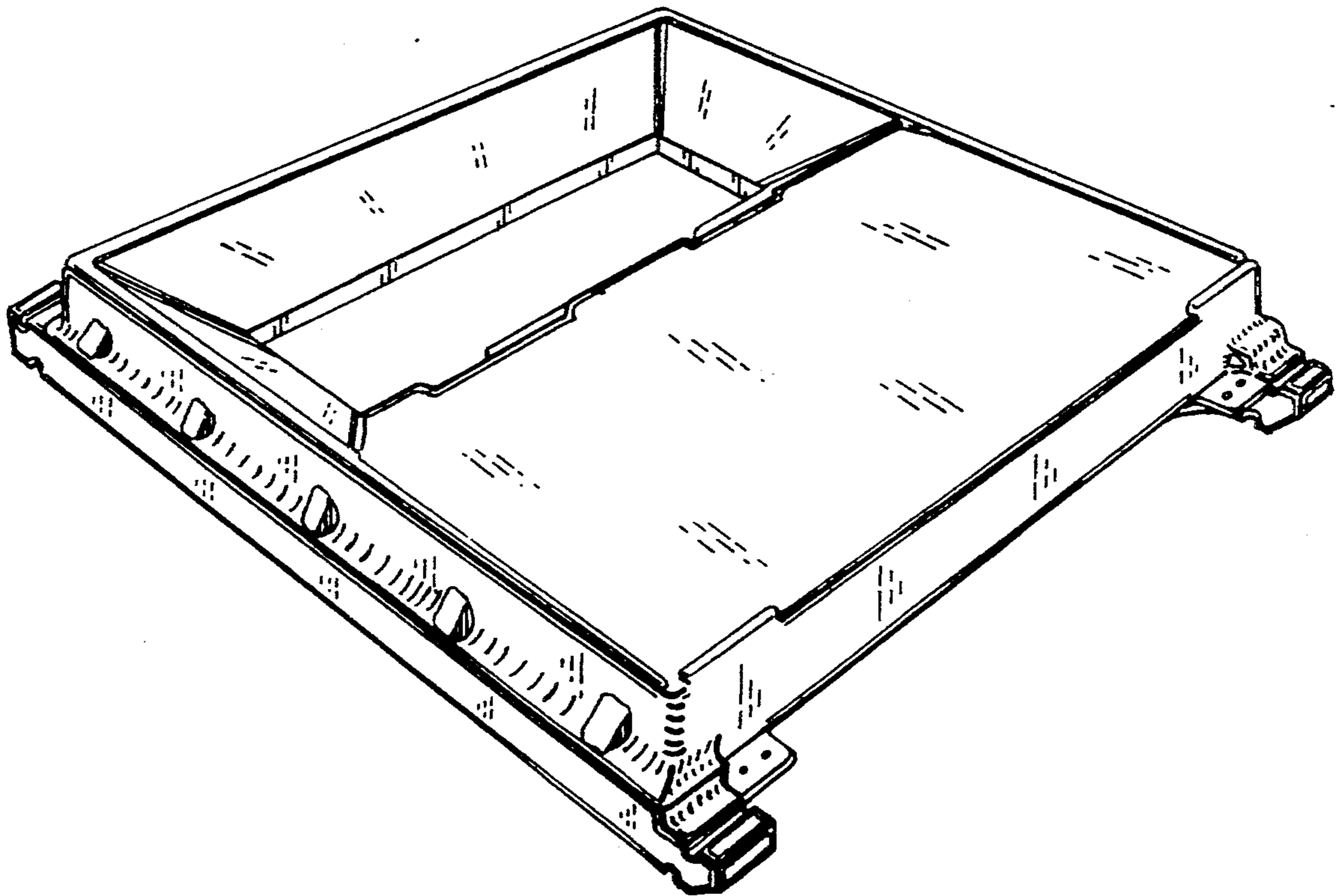


FIG. 1

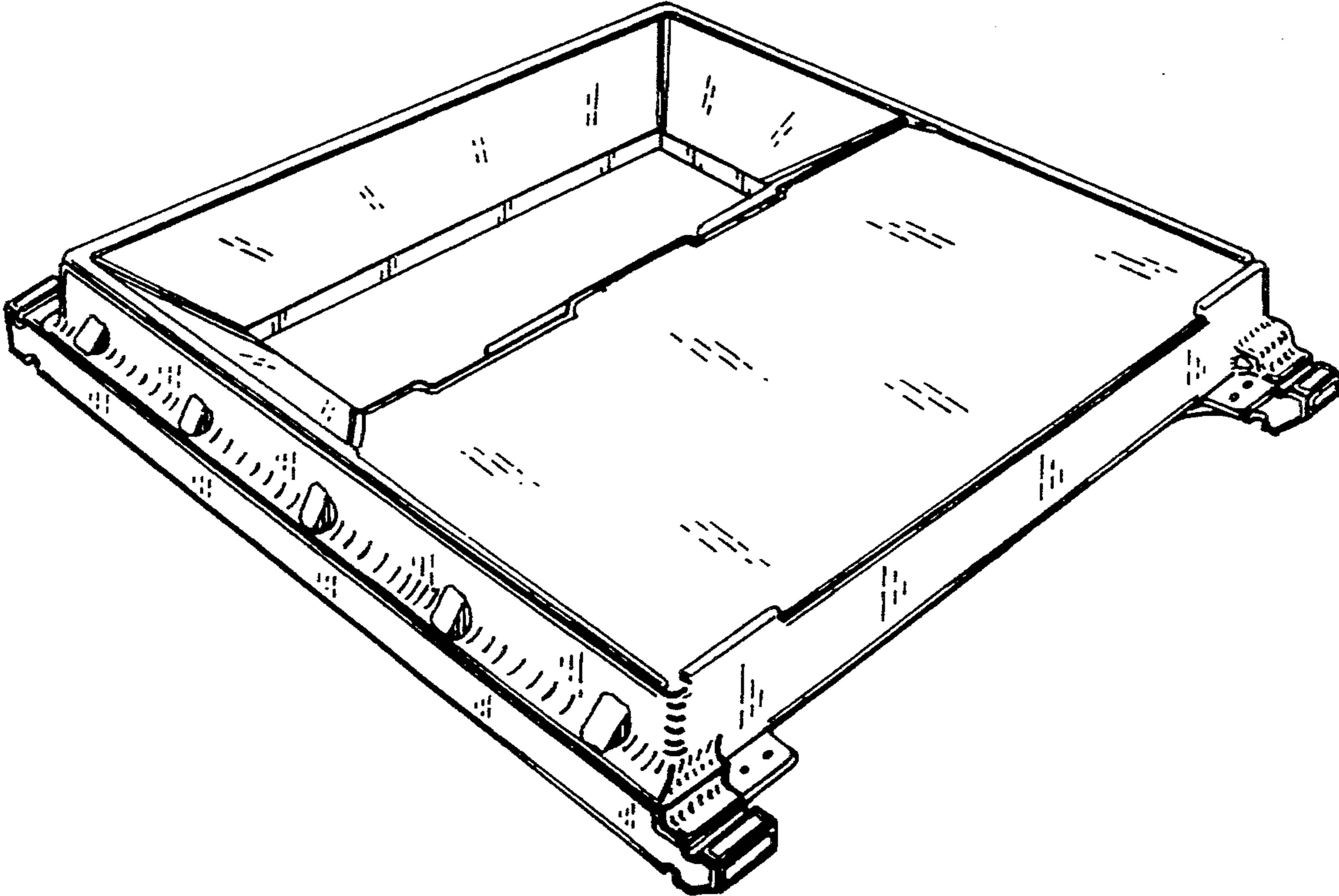


FIG. 2

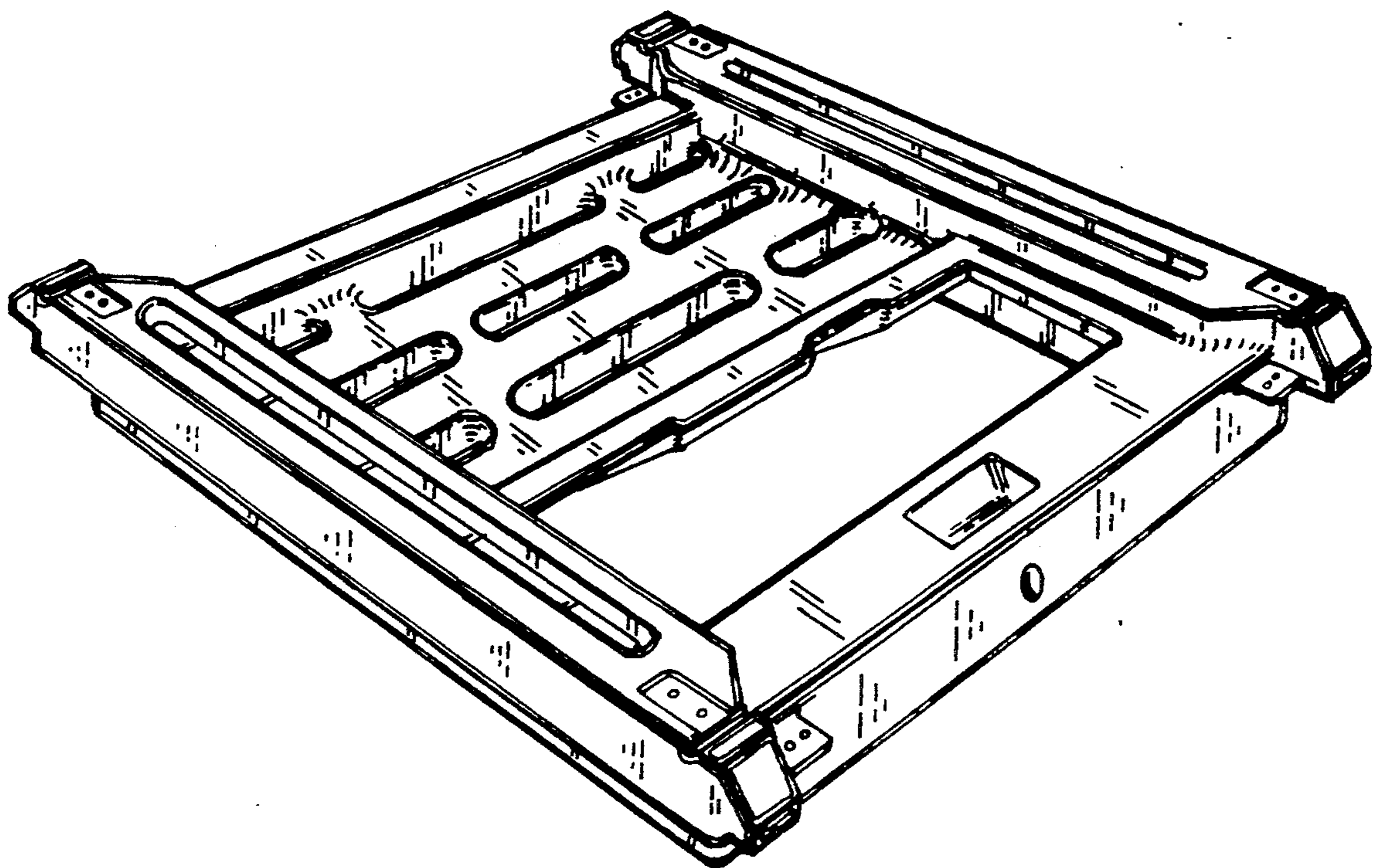


FIG. 3

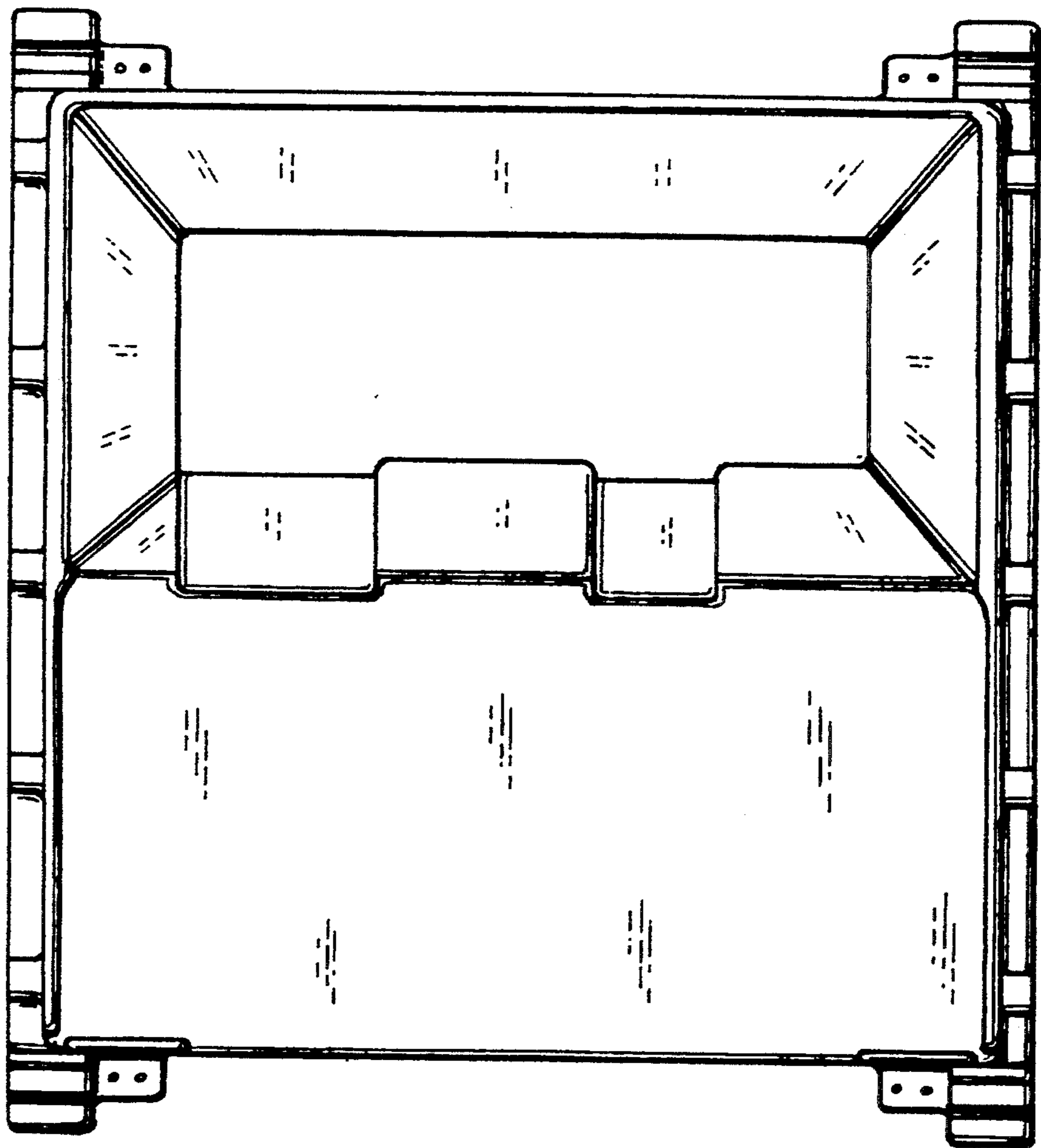


FIG. 4

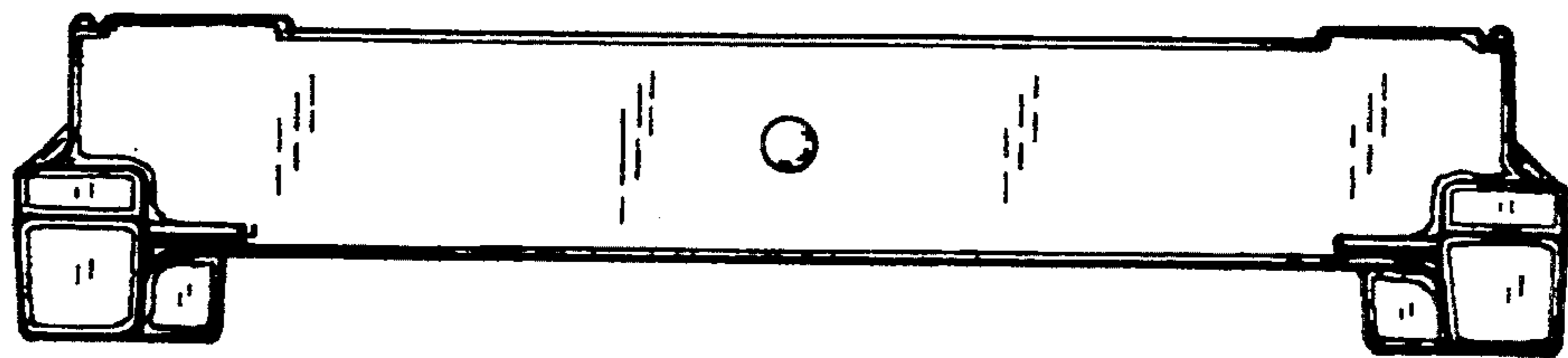


FIG. 5

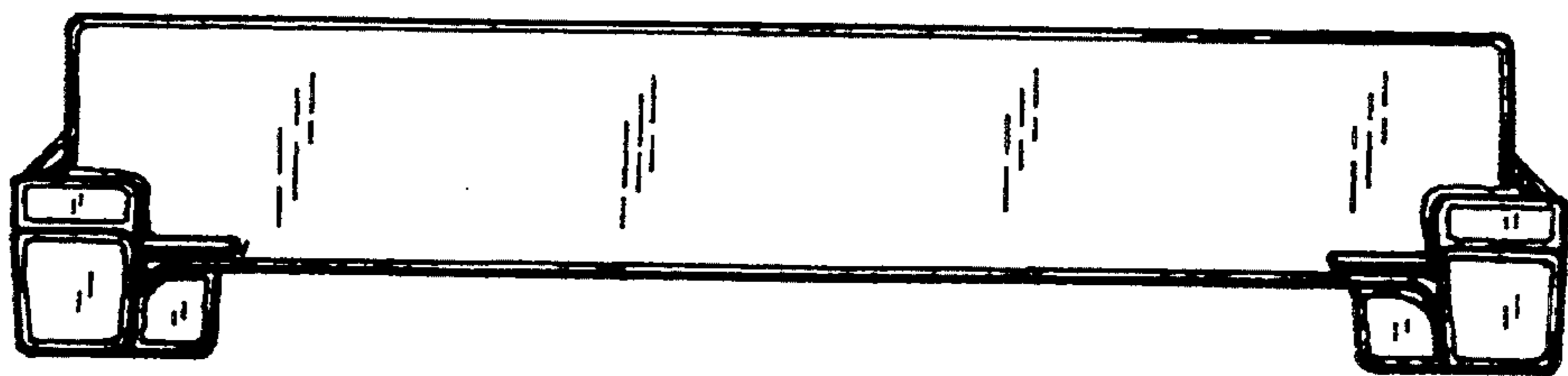


FIG. 6

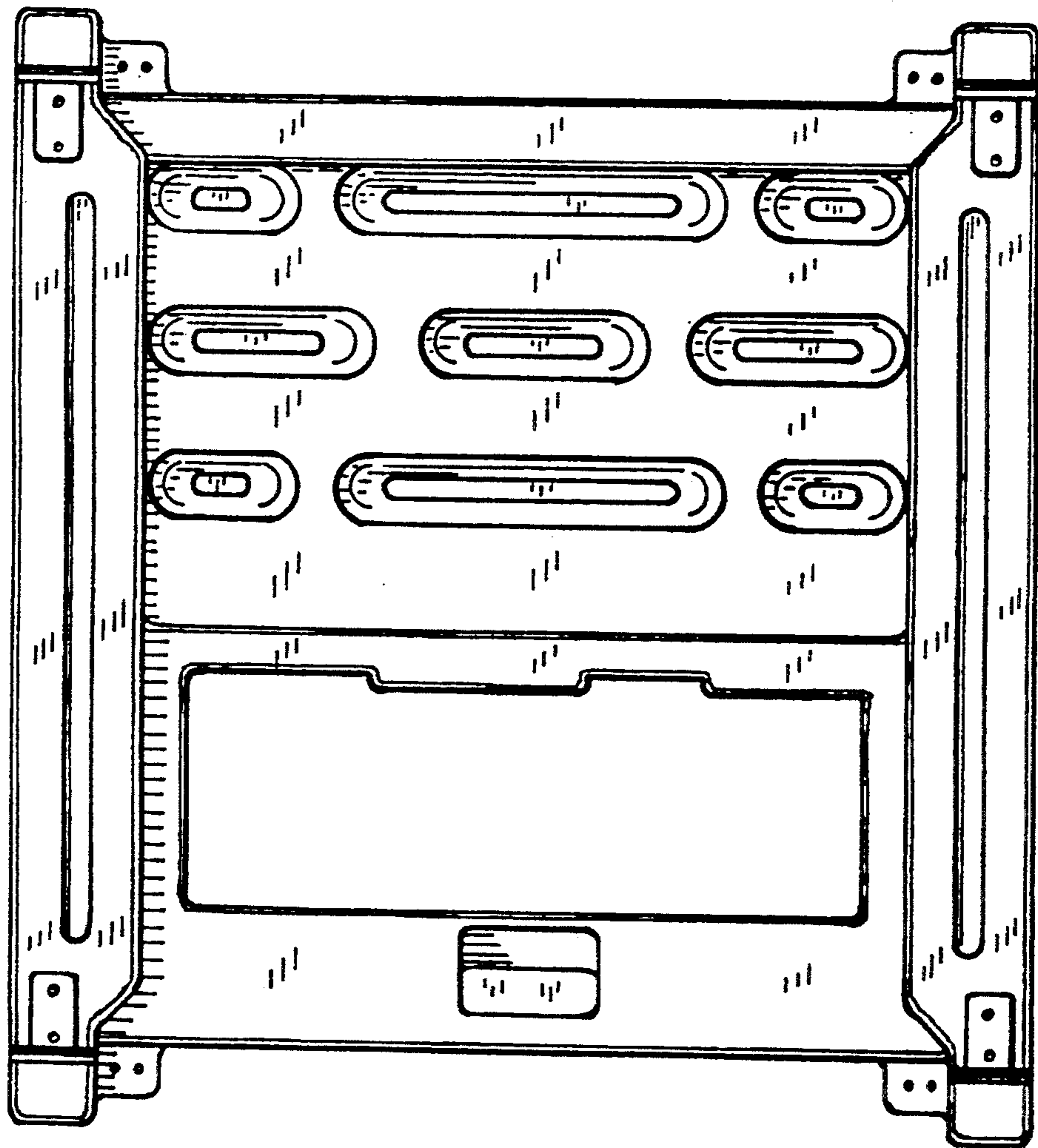


FIG. 7

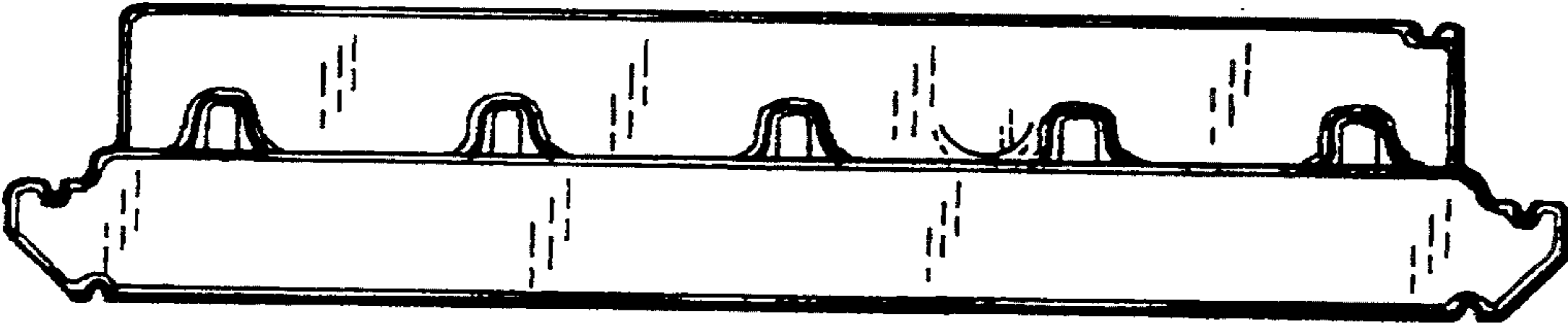


FIG. 8

