



US00D357534S

United States Patent [19]

[11] Patent Number: **Des. 357,534**

Hayes

[45] Date of Patent: **** Apr. 18, 1995**

- [54] **SURGICAL PARALLEL DRILL GUIDE INSTRUMENT**
- [75] Inventor: **S. Kyle Hayes, Warsaw, Ind.**
- [73] Assignee: **Zimmer, Inc., Warsaw, Ind.**
- [**] Term: **14 Years**
- [21] Appl. No.: **16,443**
- [22] Filed: **Dec. 15, 1993**
- [52] U.S. Cl. **D24/140**
- [58] Field of Search **D24/140, 146; 606/96, 606/98, 102, 53, 87, 89, 88; D10/64**

- 5,147,367 9/1992 Ellis 606/96
- 5,152,766 10/1992 Kirkley 606/96 X
- 5,207,682 5/1993 Cripe 606/96
- 5,207,753 5/1993 Badrinath 606/96
- 5,234,434 8/1993 Goble et al. 606/96
- 5,342,363 8/1994 Richelsoph 606/96 X

OTHER PUBLICATIONS

Synthes literature—Instruments for Percutaneous Insertion of AO/ASIF Large Cannulated Screws—1991.
 Zimmer, Inc.—Catalog pp. C49, C50, C51, C52—Various Drill Guides—1987.

Primary Examiner—A. Hugo Word
Assistant Examiner—I. Simmons
Attorney, Agent, or Firm—Margaret L. Geringer

[56] **References Cited**
U.S. PATENT DOCUMENTS

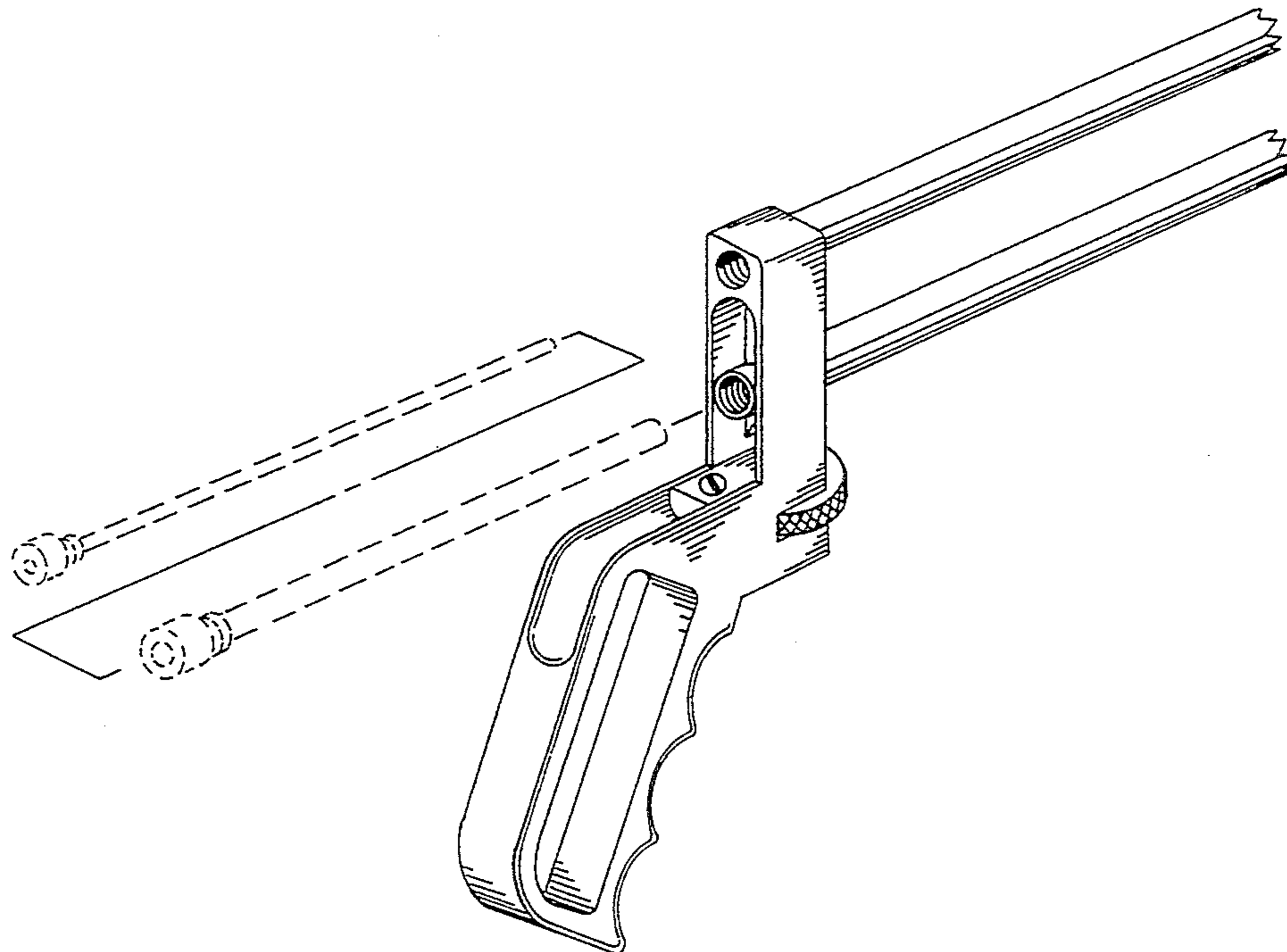
- D. 269,041 5/1983 Dohogne D24/26
- D. 291,246 8/1987 Lower D24/26
- 2,200,120 5/1940 Nauth 128/83
- 2,500,370 3/1950 McKibbin 128/92
- 2,725,053 11/1955 Bambara et al. 128/83
- 3,171,408 3/1965 Childes et al. 128/83
- 3,835,849 9/1969 McGuire 128/92 EB
- 4,360,012 11/1982 McHarrie et al. 128/92 EB
- 4,383,527 5/1983 Asnis et al. 128/92 EB
- 4,450,834 5/1984 Fischer 128/92 EB
- 4,450,835 5/1984 Asnis et al. 128/92 EB
- 4,502,475 3/1985 Weigle et al. 128/92 EB
- 4,522,201 6/1985 Tongue 128/92 EB
- 4,570,624 2/1985 Wu 128/92 EB
- 4,719,907 1/1988 Banko et al. 128/92 VD
- 4,788,970 12/1988 Kara et al. 128/92 ND
- 4,803,976 2/1989 Frigg et al. 128/92 VD
- 4,917,111 4/1990 Pennig et al. 606/97
- 4,985,032 1/1991 Goble 606/96
- 5,098,383 3/1992 Hemmy et al. 604/116
- 5,133,720 7/1992 Greenberg 606/96
- 5,141,513 8/1992 Fortune et al. 606/96

[57] CLAIM

The ornamental design for a surgical parallel drill guide instrument, as shown and described.

DESCRIPTION

FIG. 1 is a perspective view of a surgical parallel drill guide instrument;
 FIG. 2 is a partial perspective view thereof with a portion broken away;
 FIG. 3 is a side elevational view thereof;
 FIG. 4 is a bottom plan view thereof;
 FIG. 5 is a side elevational view thereof of the side opposite the side shown in FIG. 3;
 FIG. 6 is a top plan view thereof;
 FIG. 7 is an end elevational view thereof; and,
 FIG. 8 is an end elevational view thereof of the end opposite the end shown in FIG. 7.
 The broken line showing of the sleeve members in FIG. 1 is for illustrative purposes only and forms no part of the claimed design.



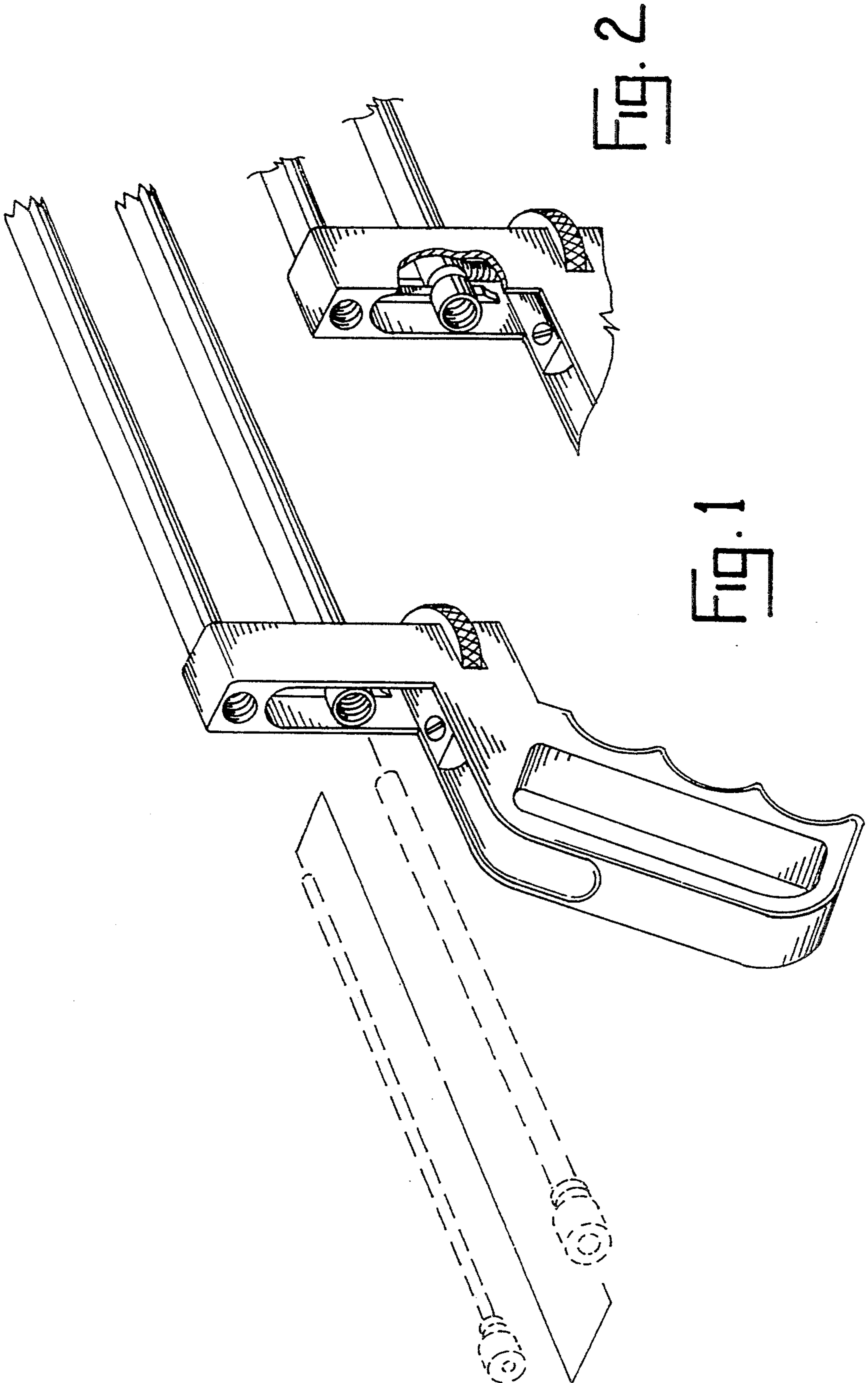
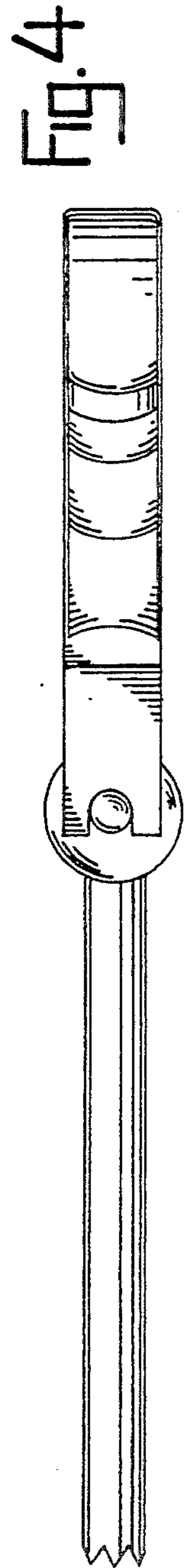
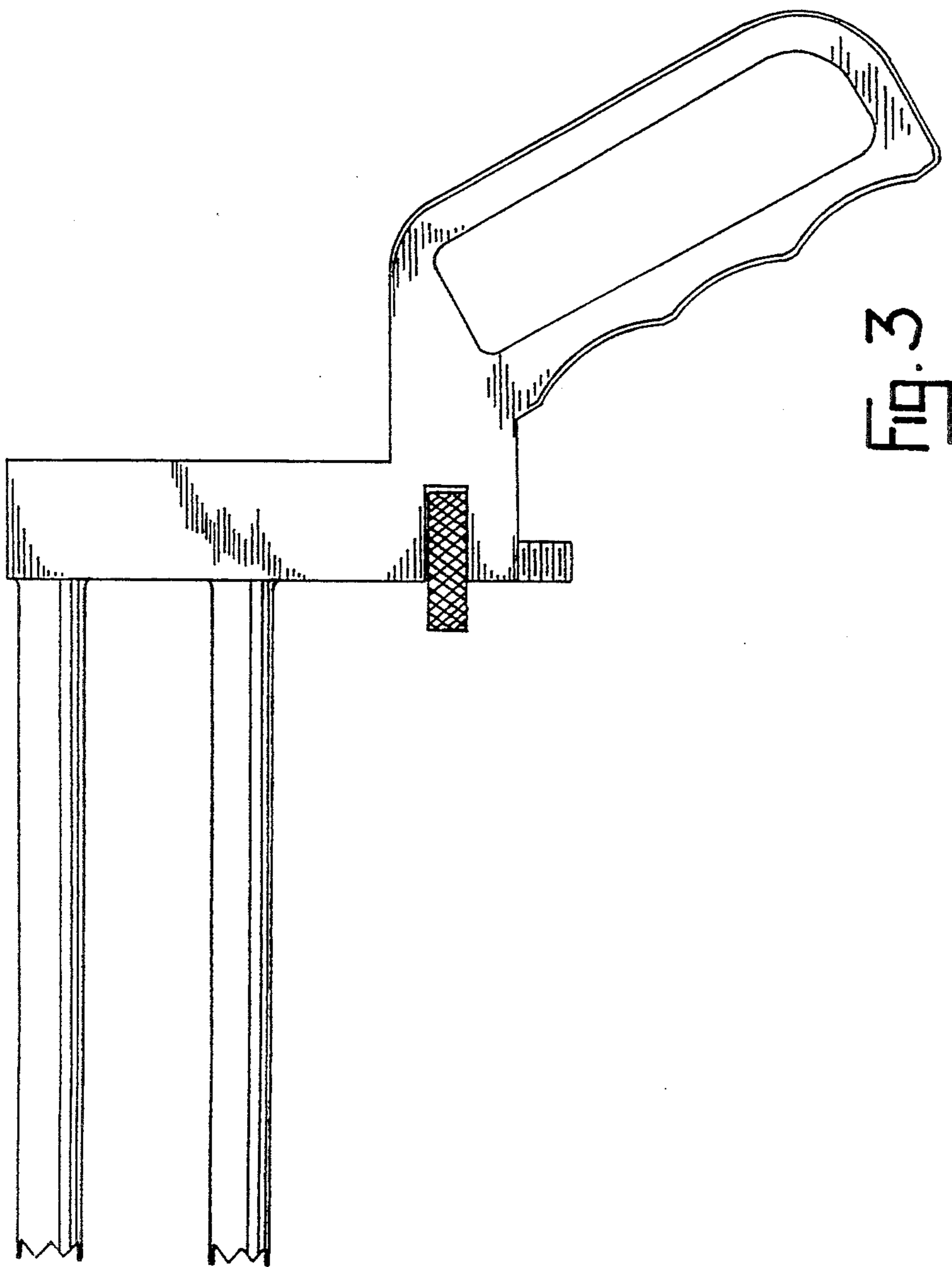
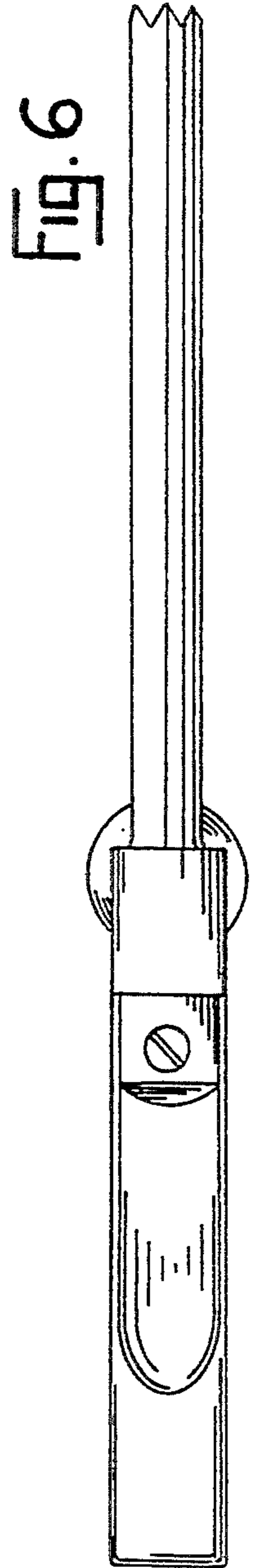
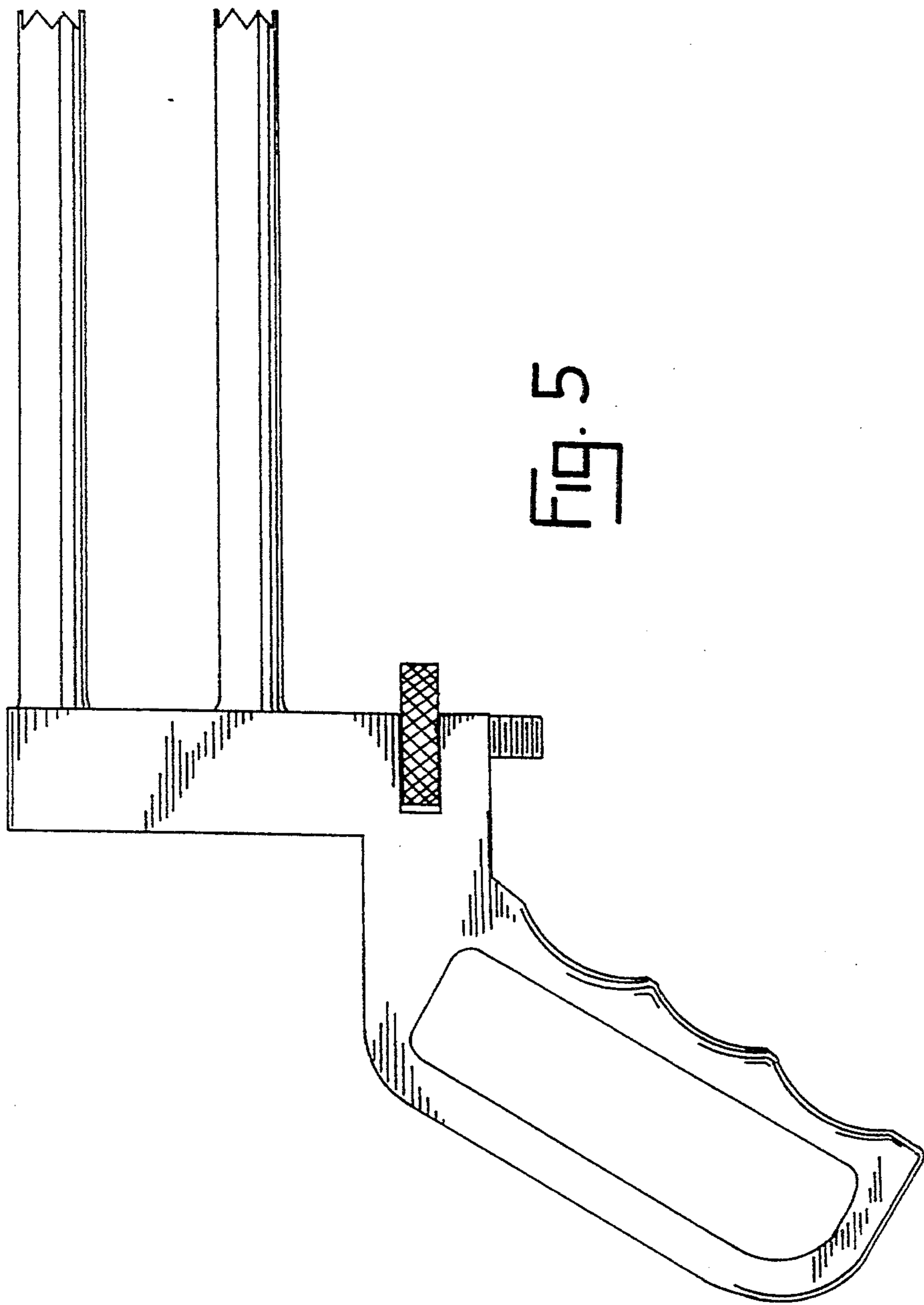


FIG. 2

FIG. 1





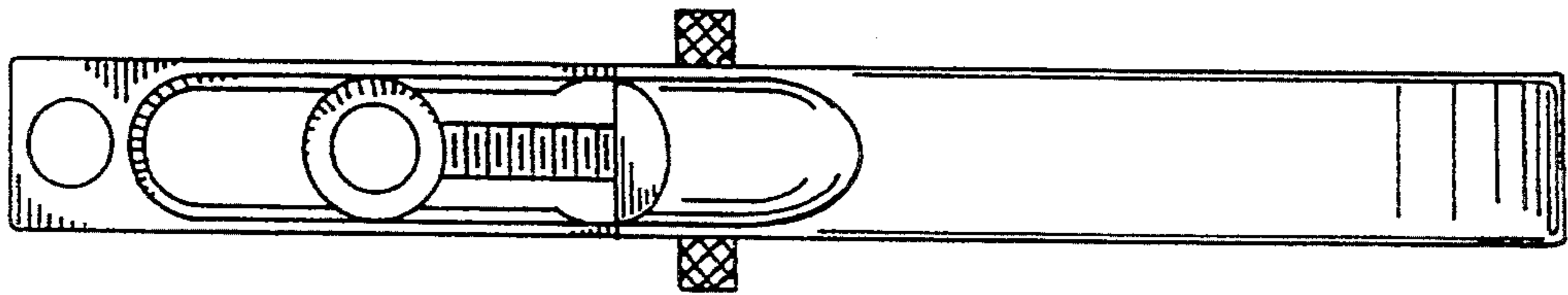


FIG. 8

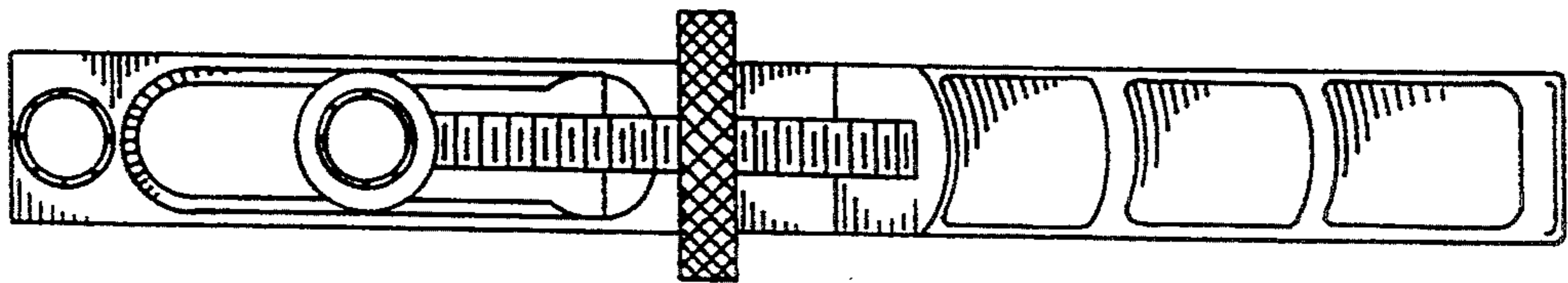


FIG. 7