



US00D357533S

United States Patent [19]

[11] Patent Number: **Des. 357,533**

Robinson

[45] Date of Patent: **** Apr. 18, 1995**

[54] **ILLUMINATED TONGUE DEPRESSOR**

[75] Inventor: **Herbert L. Robinson**, Pompton Plains, N.J.

[73] Assignee: **Scientific Medical Programs, Inc.**, Fairfield, N.J.

[**] Term: **14 Years**

[21] Appl. No.: **12,271**

[22] Filed: **Mar. 3, 1993**

[52] U.S. Cl. **D24/136**

[58] Field of Search **D24/136, 137, 138; D26/46, 38; 128/16, 23, 15; 363/119, 120**

[56] **References Cited**

U.S. PATENT DOCUMENTS

- D. 143,662 1/1946 Korengold D24/136
- D. 225,784 1/1973 Edinger et al. D24/136
- D. 305,797 1/1990 Robinson et al. D24/136

Primary Examiner—A. Hugo Word

Assistant Examiner—I. Simmons

Attorney, Agent, or Firm—Sixbey, Friedman, Leedom & Ferguson

[57] **CLAIM**

The ornamental design for an illuminated tongue depressor, as shown and described.

DESCRIPTION

FIG. 1 is a perspective view of the illuminated tongue depressor showing my new design;
 FIG. 2 is a top plan view of the illuminated tongue depressor of FIG. 1;
 FIG. 3 is a bottom plan view of the illuminated tongue depressor of FIG. 1;
 FIG. 4 is a side elevational view of the illuminated tongue depressor of FIG. 1, the opposite side elevational view being a mirror image thereto;
 FIG. 5 is a rear elevational view of the illuminated tongue depressor of FIG. 1; and,
 FIG. 6 is a front elevational view of the illuminated tongue depressor of FIG. 1.

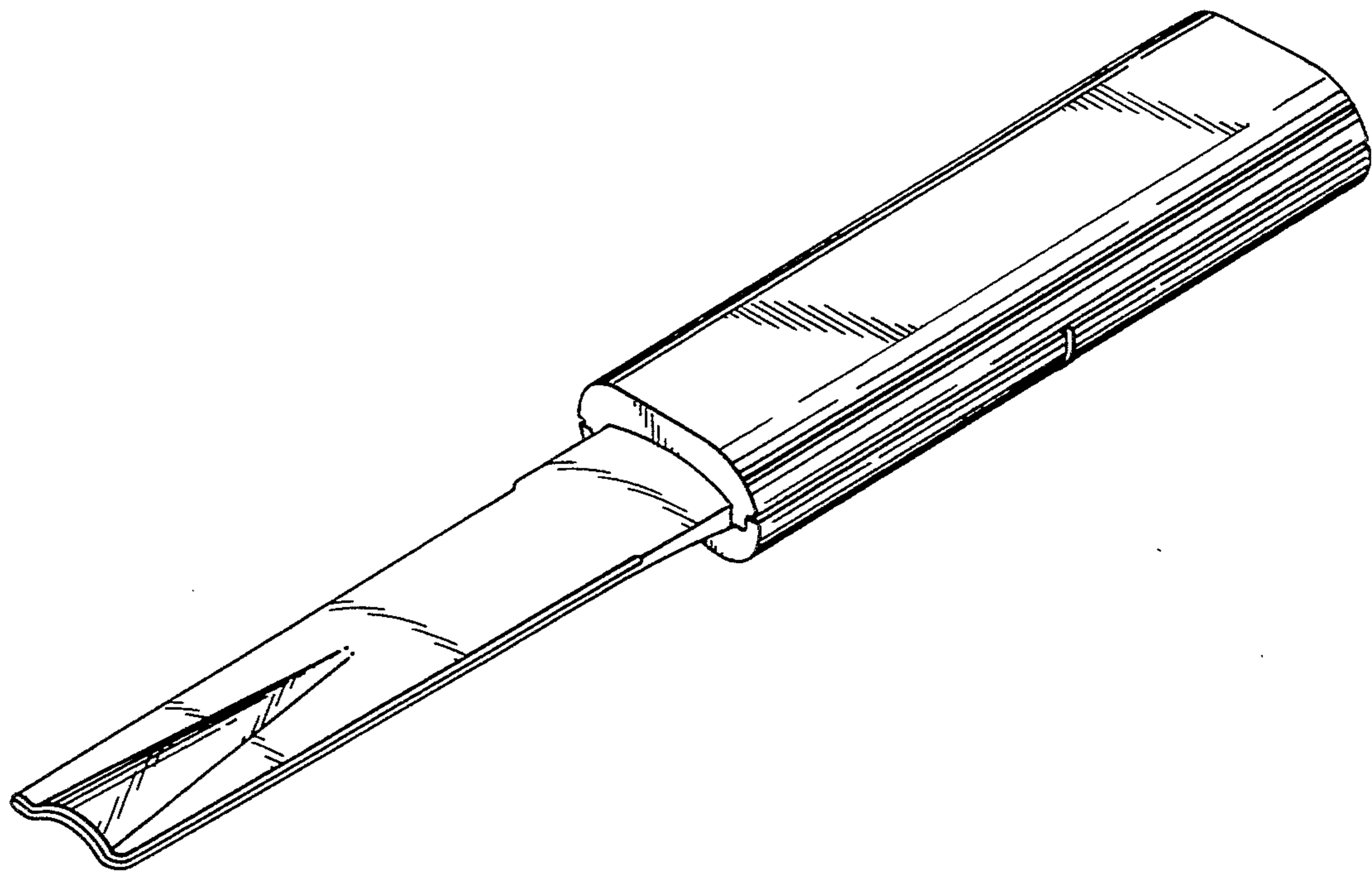


FIG. 1

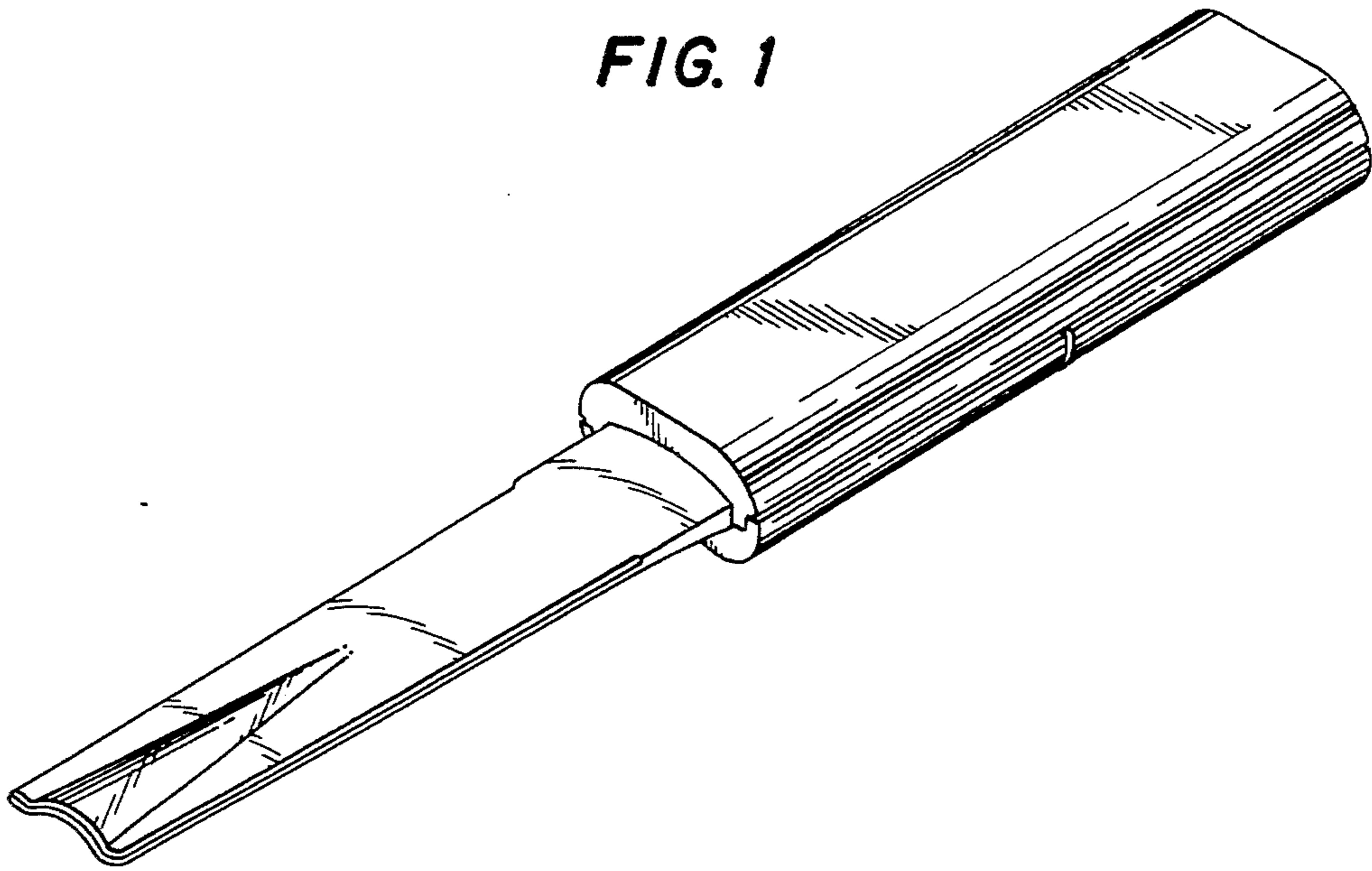


FIG. 2

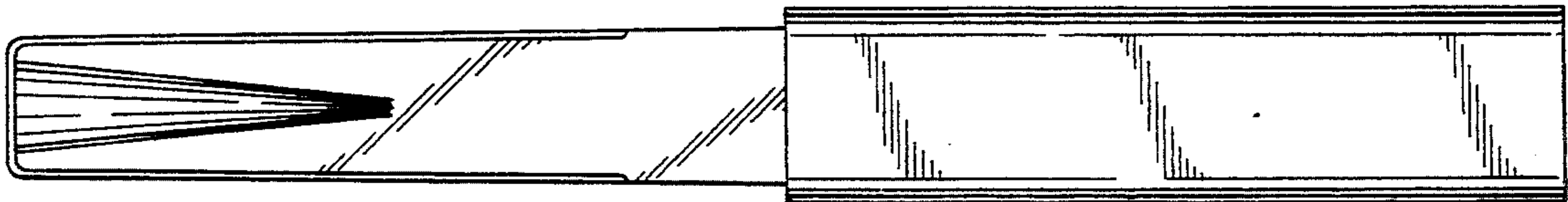


FIG. 3

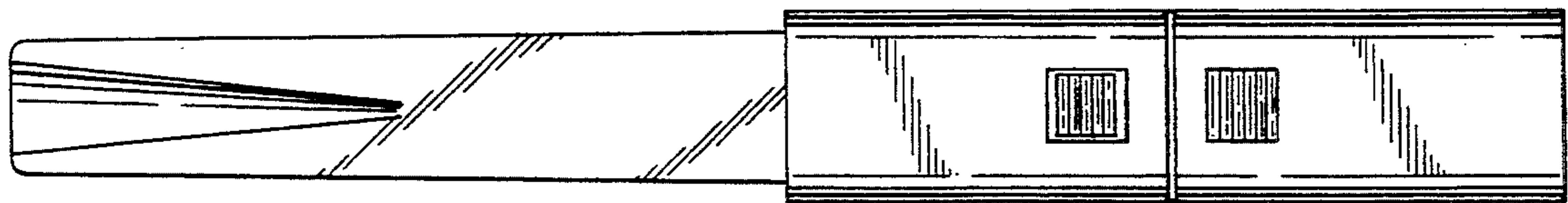


FIG. 4

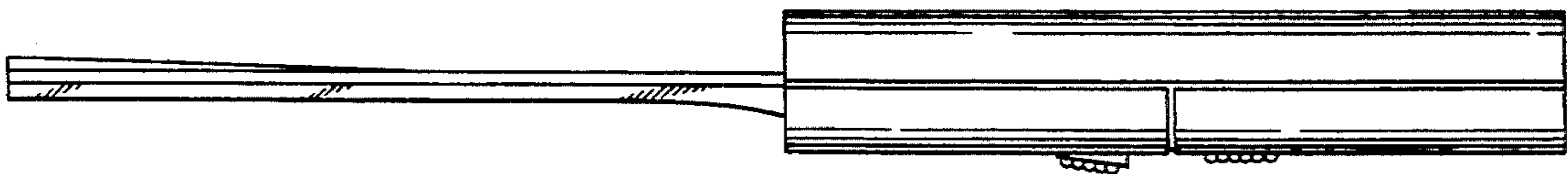


FIG. 5

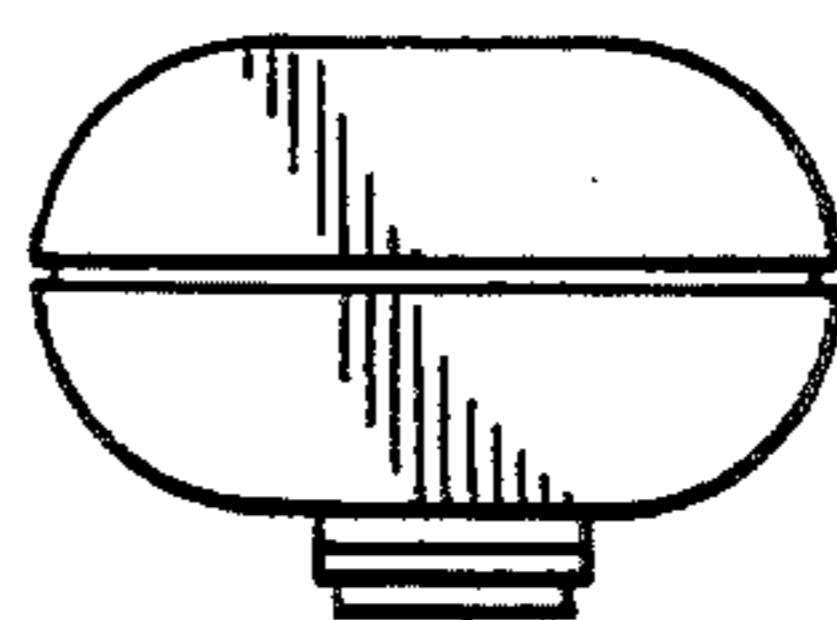


FIG. 6

