



US00D357532S

United States Patent [19]

[11] Patent Number: **Des. 357,532**

McCulloch

[45] Date of Patent: **** Apr. 18, 1995**

[54] **FACE MASK VALVE**

4,627,796 12/1986 Moore .
5,217,006 6/1993 McCulloch .

[76] Inventor: **Norma D. McCulloch**, C/-125 Diana Drive, Glenfield, Auckland 10, New Zealand

FOREIGN PATENT DOCUMENTS

[**] Term: **14 Years**

72248 2/1993 Canada .
0252618 1/1988 European Pat. Off. .
152864 11/1969 New Zealand .
399657 3/1966 Switzerland .
769347 3/1957 United Kingdom .
841558 7/1960 United Kingdom .
1030404 5/1966 United Kingdom .
1157331 7/1969 United Kingdom .
2141490 12/1984 United Kingdom .
2145335 3/1985 United Kingdom .
2182249 5/1987 United Kingdom .

[21] Appl. No.: **6,772**

[22] Filed: **Apr. 7, 1993**

[30] Foreign Application Priority Data

Oct. 7, 1992 [NZ] New Zealand 24792
[52] U.S. Cl. **D24/110.6; D24/110.5**
[58] Field of Search D29/6-9;
128/207.14, 205.24, 206.23, 206.24, 207.17,
207.11

Primary Examiner—Kay H. Chin
Attorney, Agent, or Firm—Wenderoth, Lind & Ponack

[56] References Cited

[57] CLAIM

U.S. PATENT DOCUMENTS

D. 333,015 2/1993 Farmer et al. D29/8
2,007,330 7/1935 Hicks 128/203.28
2,428,451 10/1947 Emerson 128/205.18 X
2,970,749 2/1961 Montague 128/205.13 X
3,037,497 6/1962 Roberson 128/202.29
3,046,978 7/1962 Lea 128/205.13
3,099,985 8/1963 Wilson et al. 128/203.11
3,136,312 6/1964 Gattone 128/205.13
3,196,866 7/1965 Adams 128/205.13
3,796,216 3/1974 Schwrtz .
3,882,860 5/1975 Frimberger 128/205.13 X
4,328,797 5/1982 Rollins, III et al. 128/205.25
4,498,472 2/1985 Tanaka 128/203.28 X

The ornamental design for a face mask valve, as shown and described.

DESCRIPTION

FIG. 1 is a top plan view of a face mask valve showing my design and how it is attached to a face mask;
FIG. 2 is a bottom plan view thereof;
FIG. 3 is a side elevational view thereof, the opposite side elevational view being a mirror image of that shown; and,
FIG. 4 is top perspective view thereof.
The broken lines showing of a face mask are for illustrative purposes only and form no part of the claimed design.

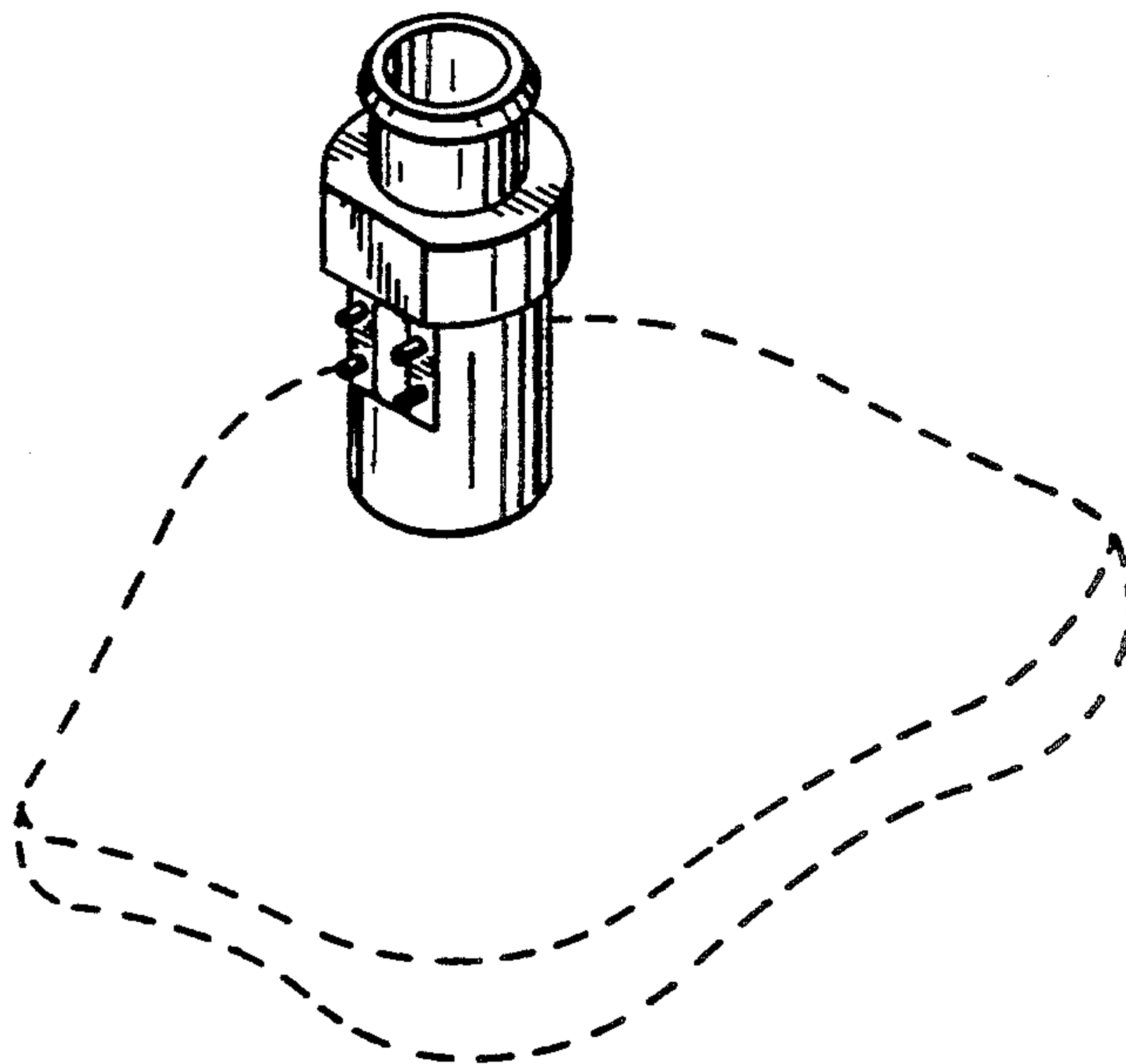


FIG. 1

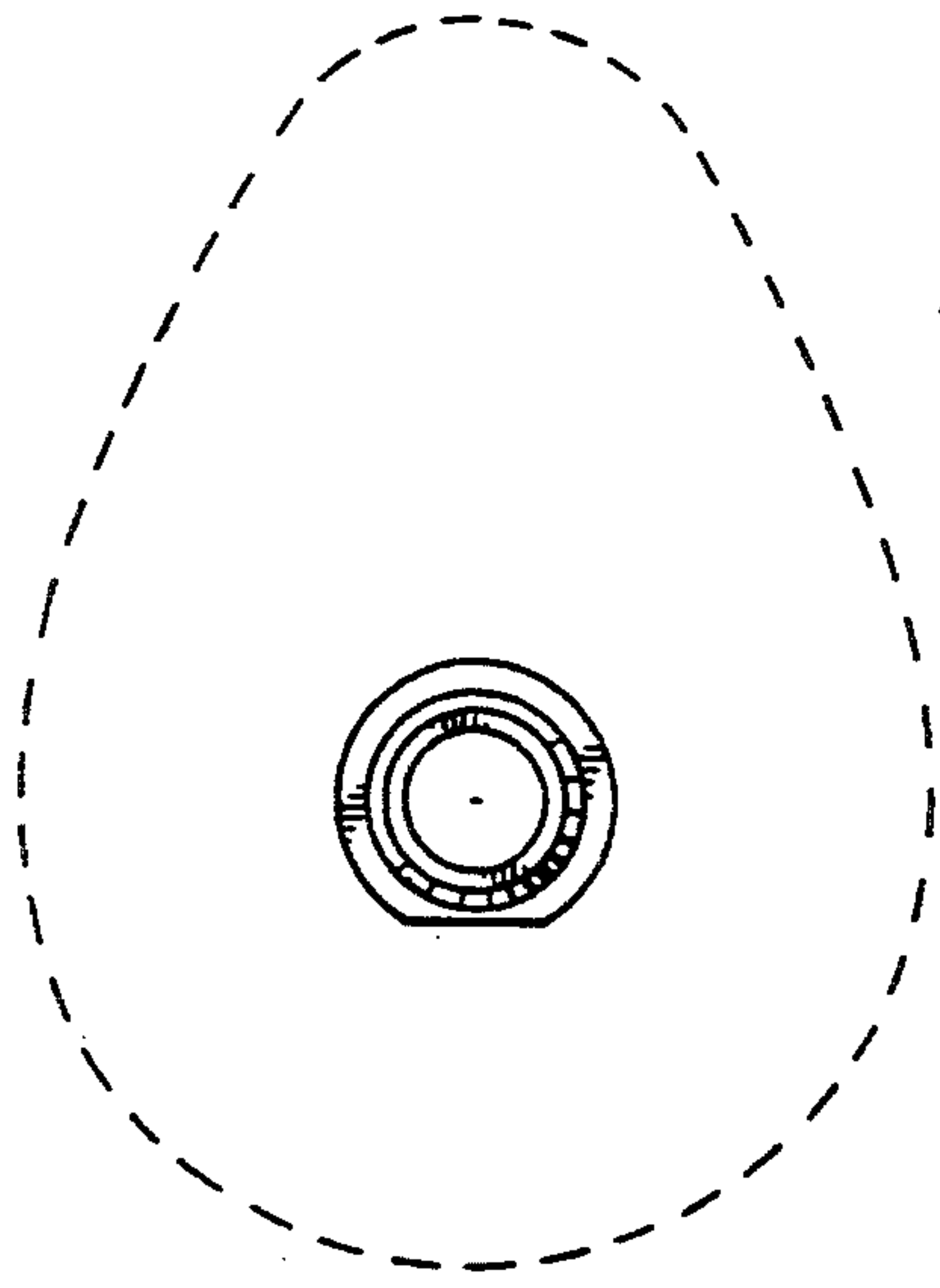


FIG. 2

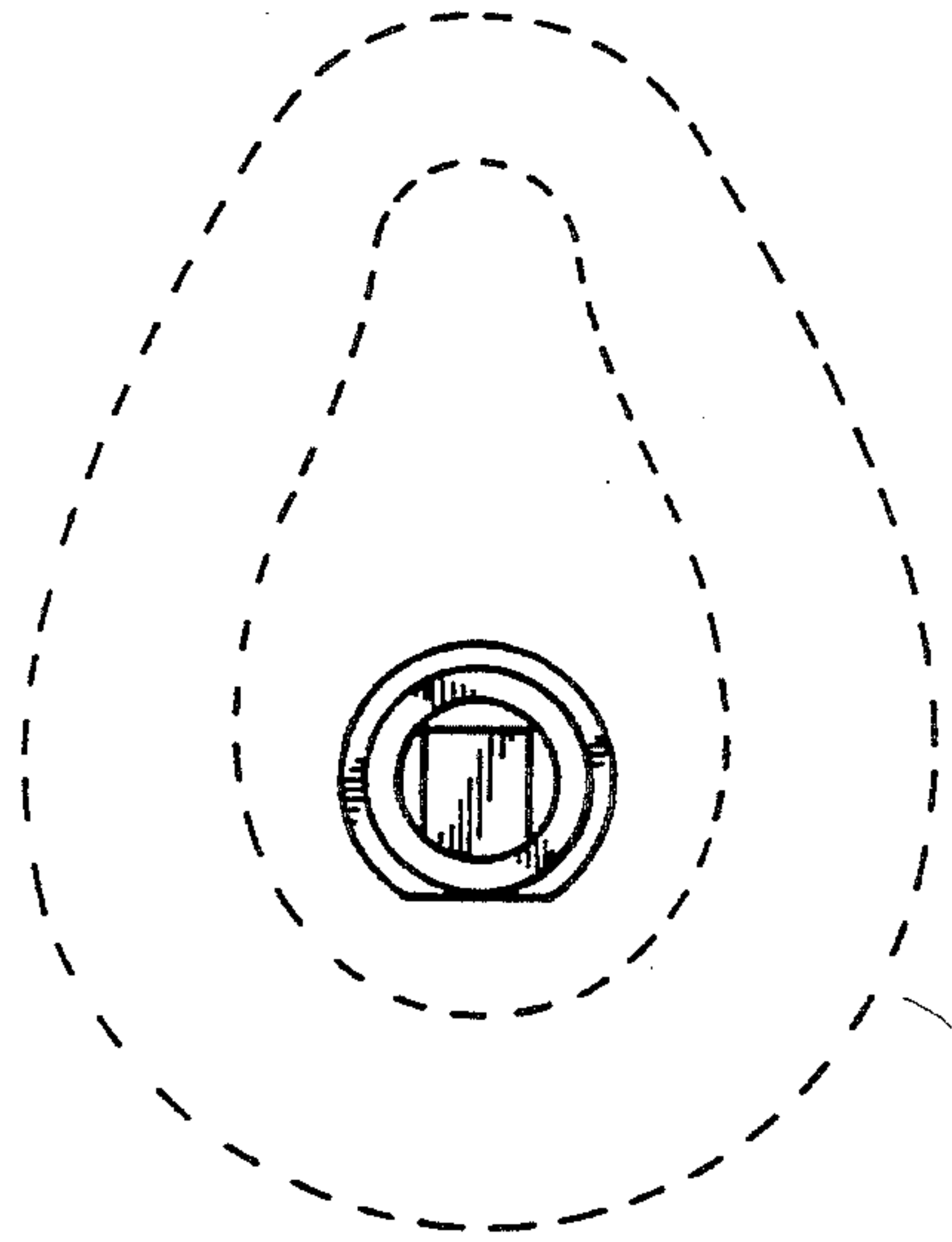


FIG. 3

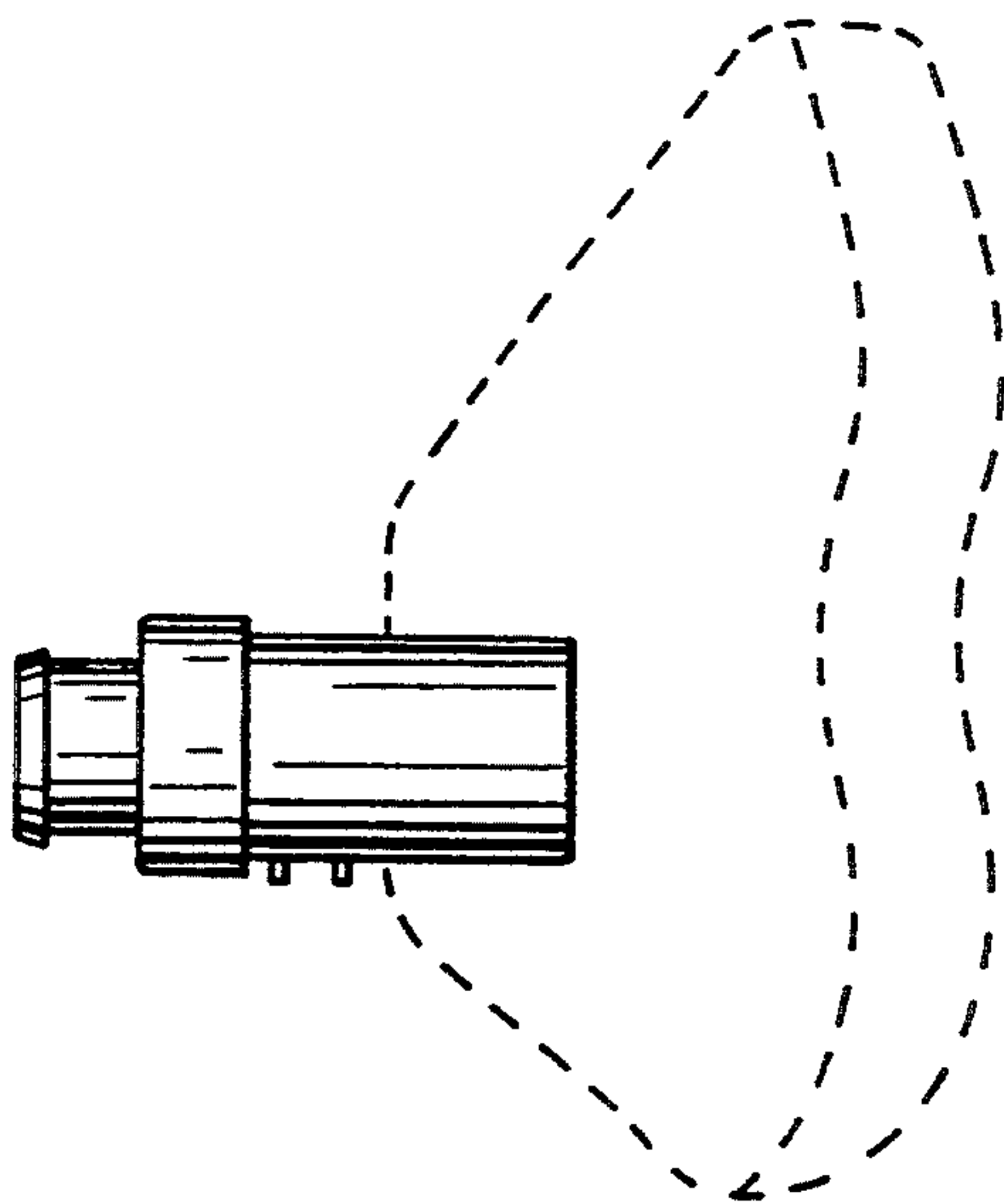


FIG. 4

