



US00D357528S

United States Patent [19]
Hsu

[11] **Patent Number: Des. 357,528**
[45] **Date of Patent: ** Apr. 18, 1995**

[54] **BODY WARMER**

[76] **Inventor: William Hsu, 48-28 58th La., Woodside, N.Y. 11377**

[**] **Term: 14 Years**

[21] **Appl. No.: 18,137**

[22] **Filed: Jan. 31, 1994**

[52] **U.S. Cl. D23/332; D23/335**

[58] **Field of Search D24/206, 200; D23/332, D23/335; 126/208, 204; 607/88, 90, 93**

[56] **References Cited**

U.S. PATENT DOCUMENTS

2,579,620	12/1951	Smith	126/208
3,049,117	8/1962	Matoba	126/208
3,295,510	1/1967	Matoba	126/208
4,174,702	11/1979	Rappaport	126/208
4,351,318	9/1982	Ojima et al.	126/208

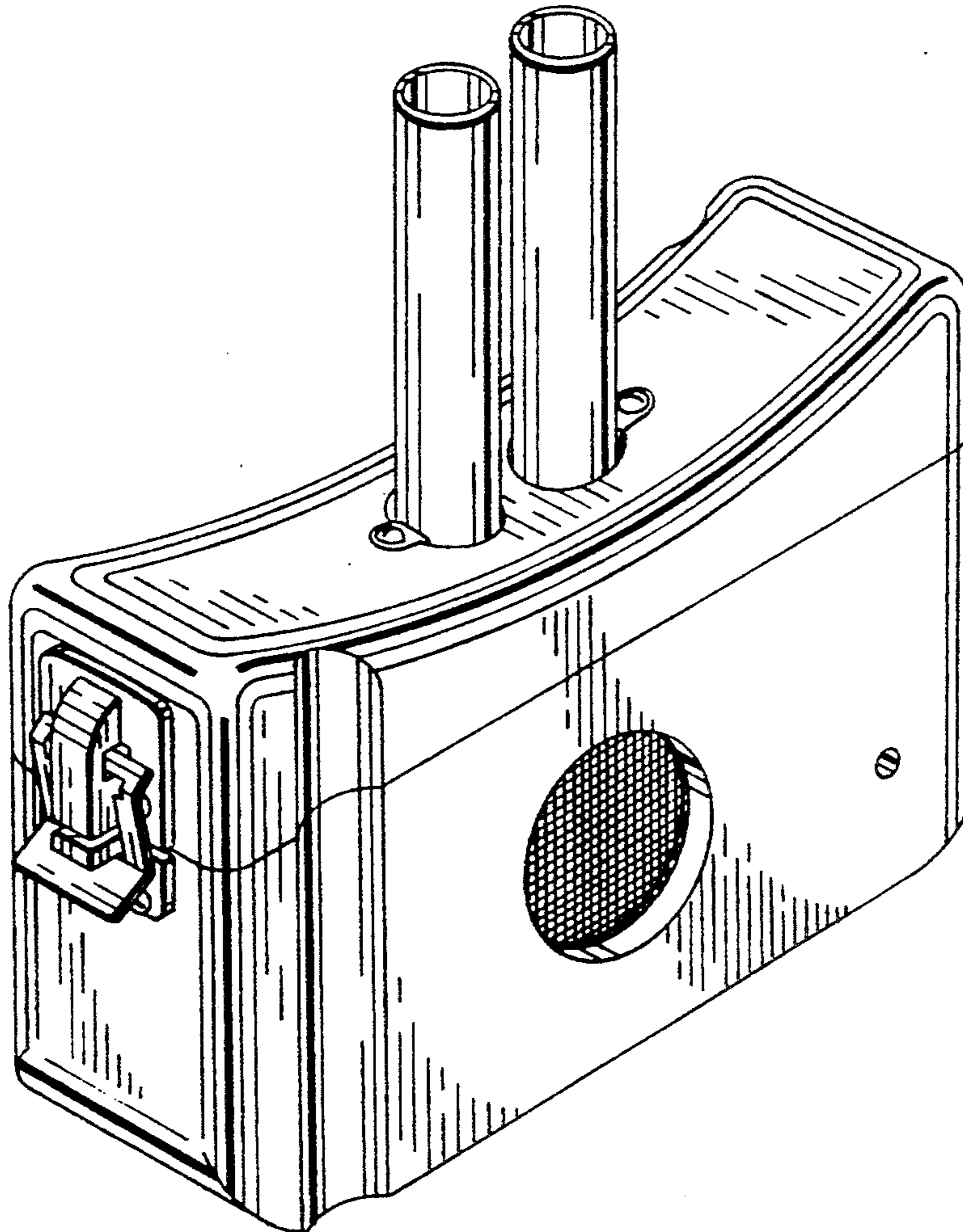
Primary Examiner—Stella Reid
Attorney, Agent, or Firm—Cecilia L. Yu

[57] **CLAIM**

The ornamental design for a body warmer, as shown.

DESCRIPTION

FIG. 1 is a front view of the ornamental design of the present invention;
FIG. 2 is a left side view of the ornamental design of the present invention;
FIG. 3 is a top view of the ornamental design of the present invention;
FIG. 4 is a bottom view of the ornamental design of the present invention;
FIG. 5 is a right side view of the ornamental design of the present invention;
FIG. 6 is a back view of the ornamental design of the present invention;
FIG. 7 is a front perspective view of the ornamental design of the present invention; and,
FIG. 8 is a front perspective view of the ornamental design of the present invention shown in FIG. 7 in an open position.



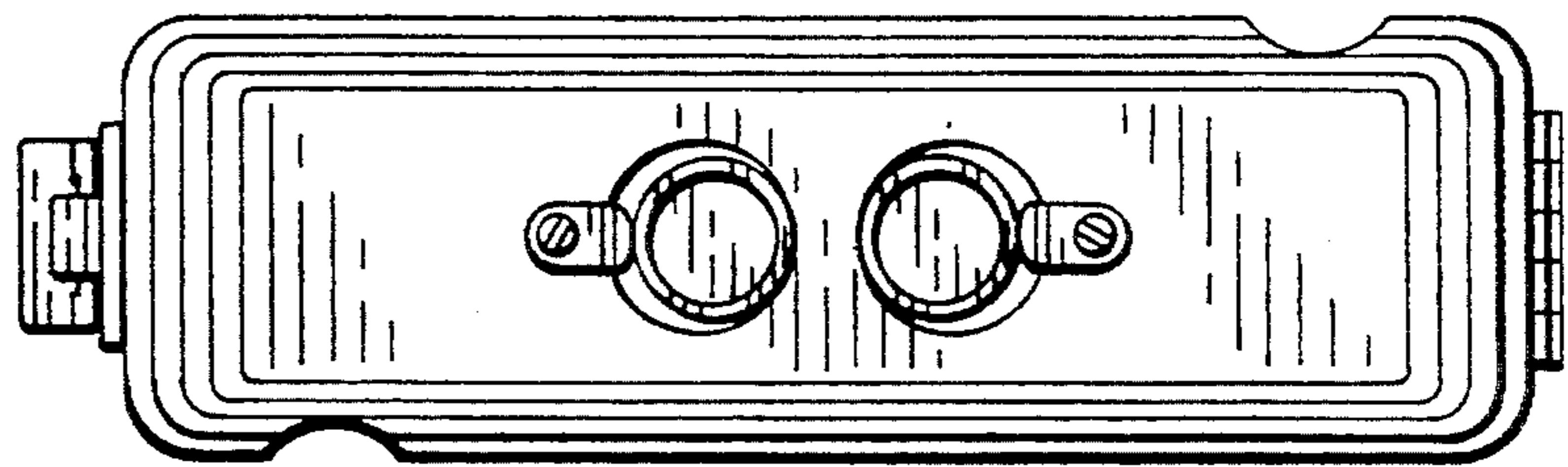


FIG. 3.

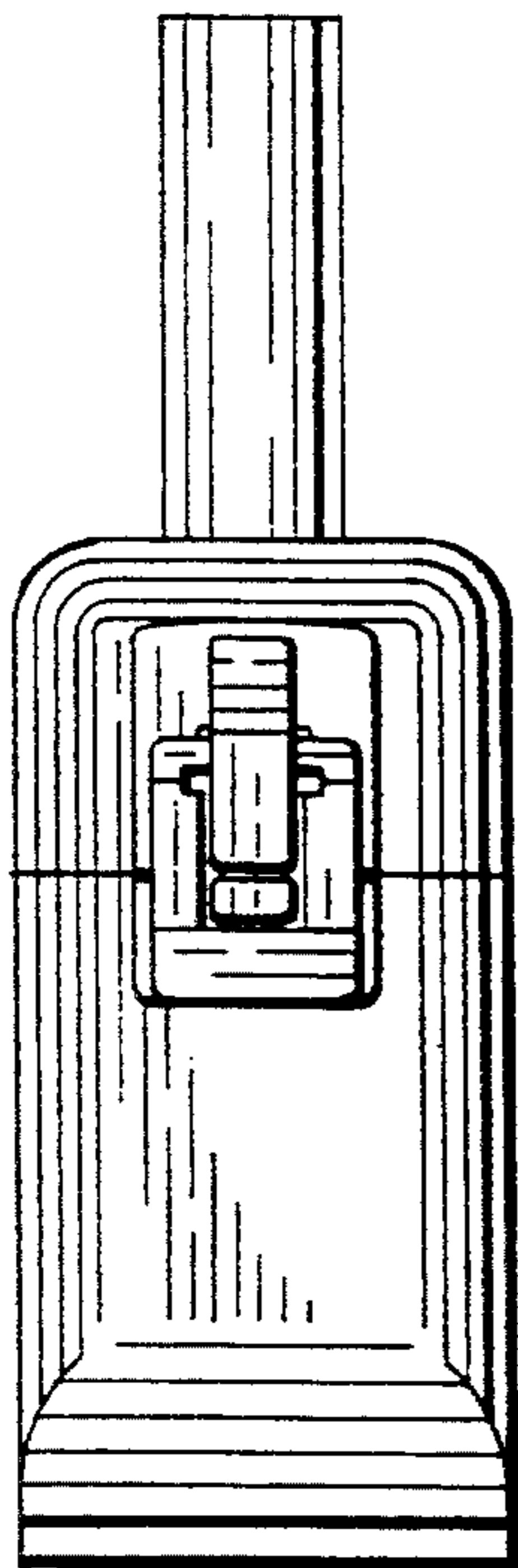


FIG. 2.

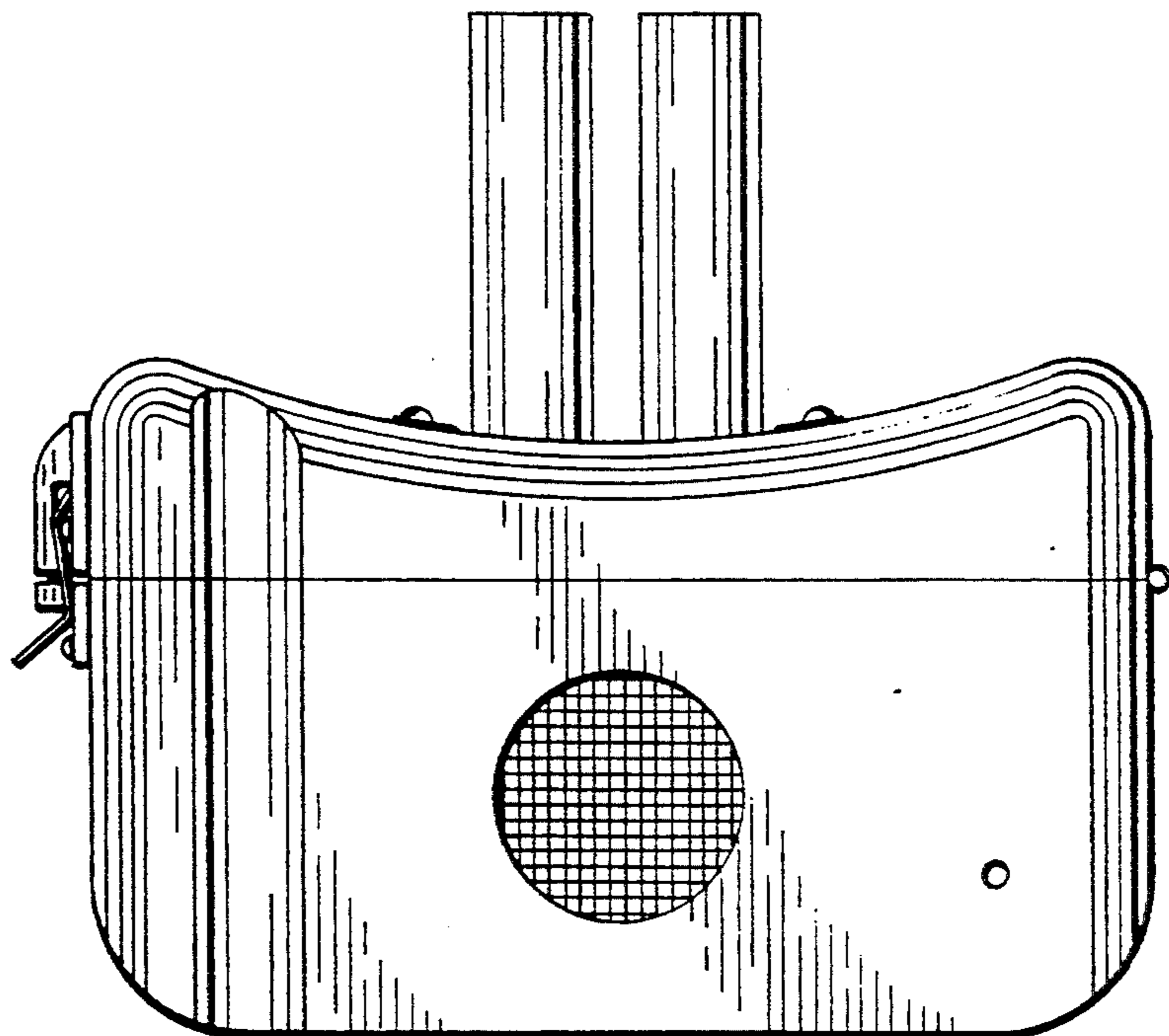


FIG. 1.

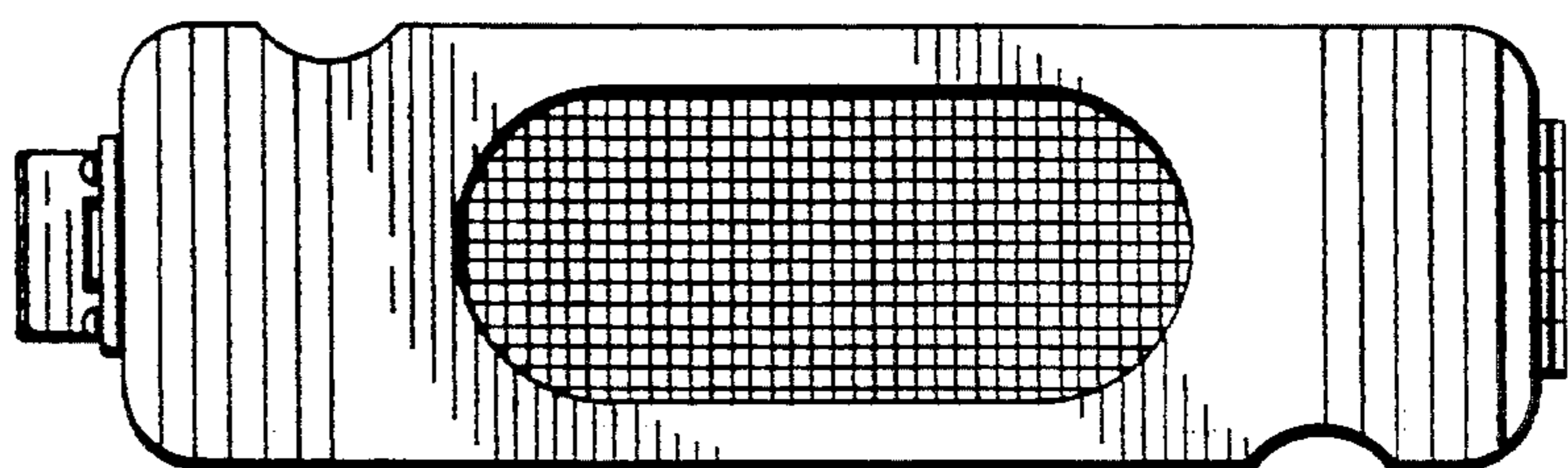


FIG. 4.

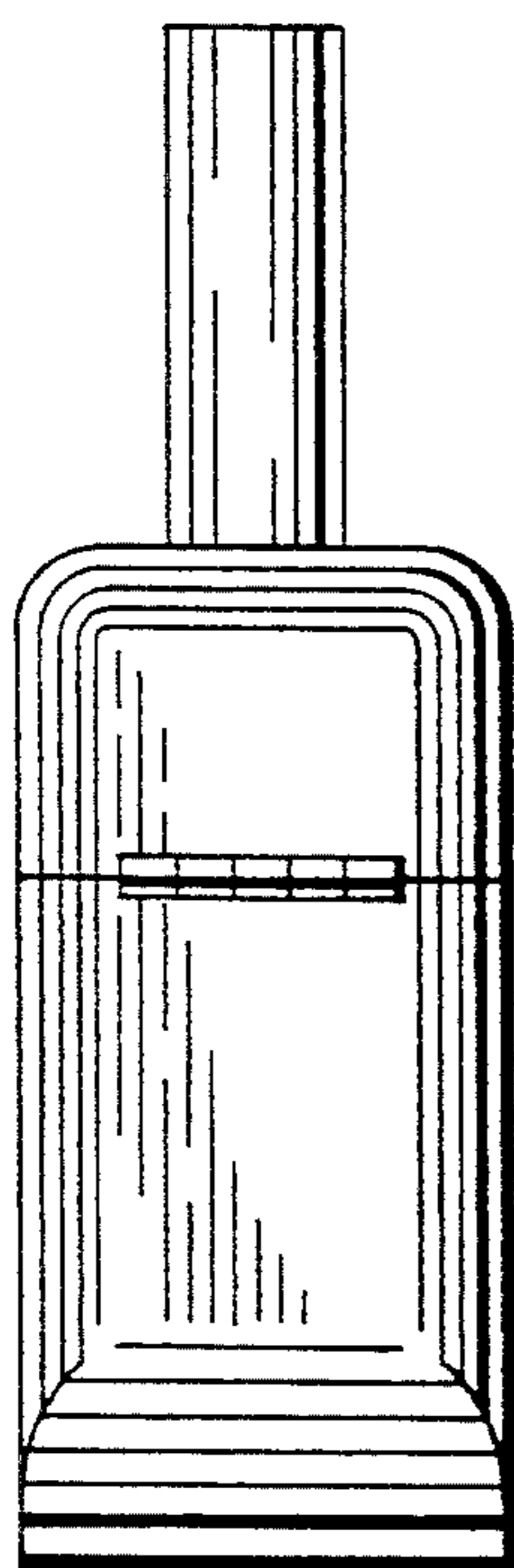


FIG. 5.

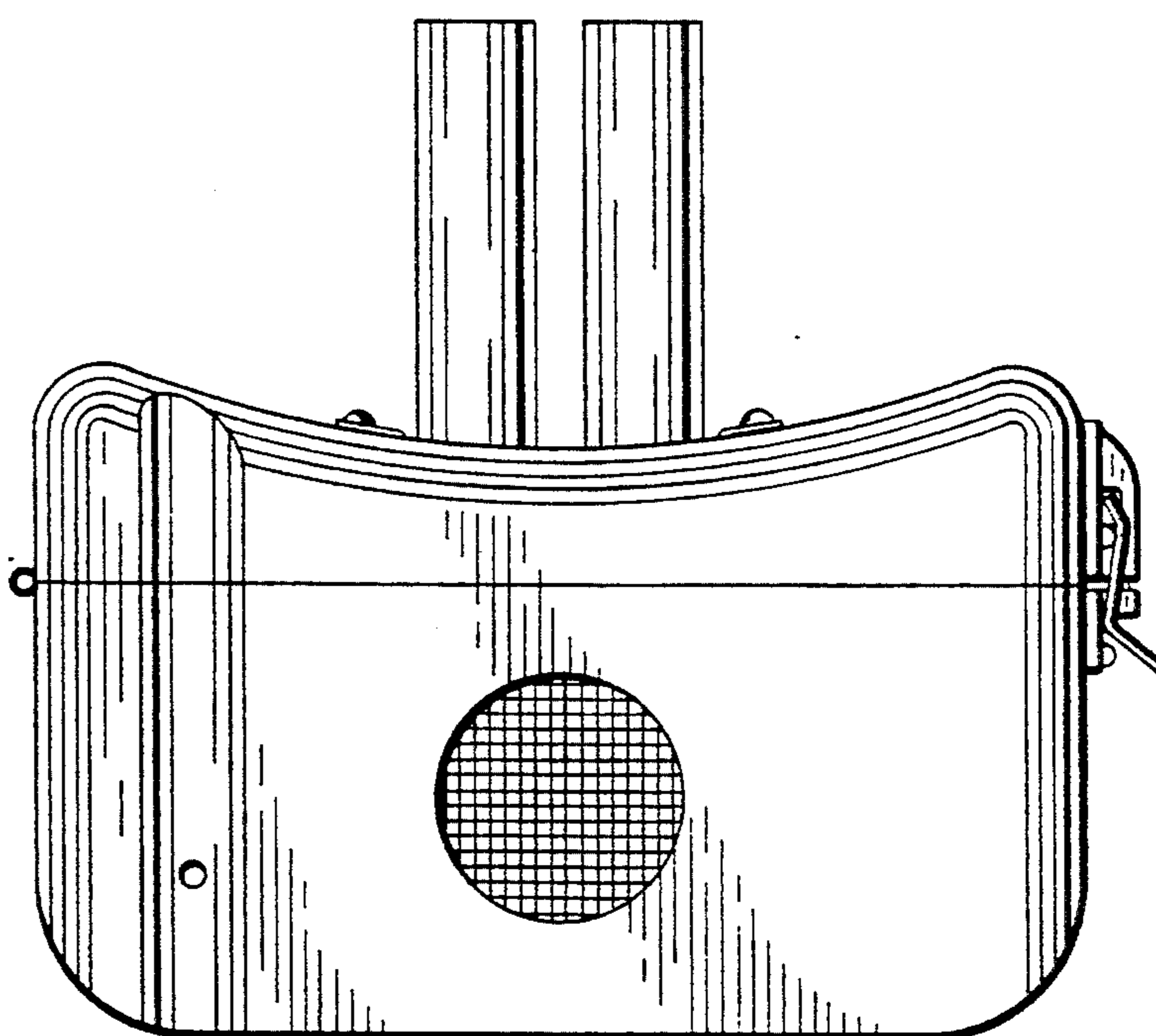


FIG. 6.

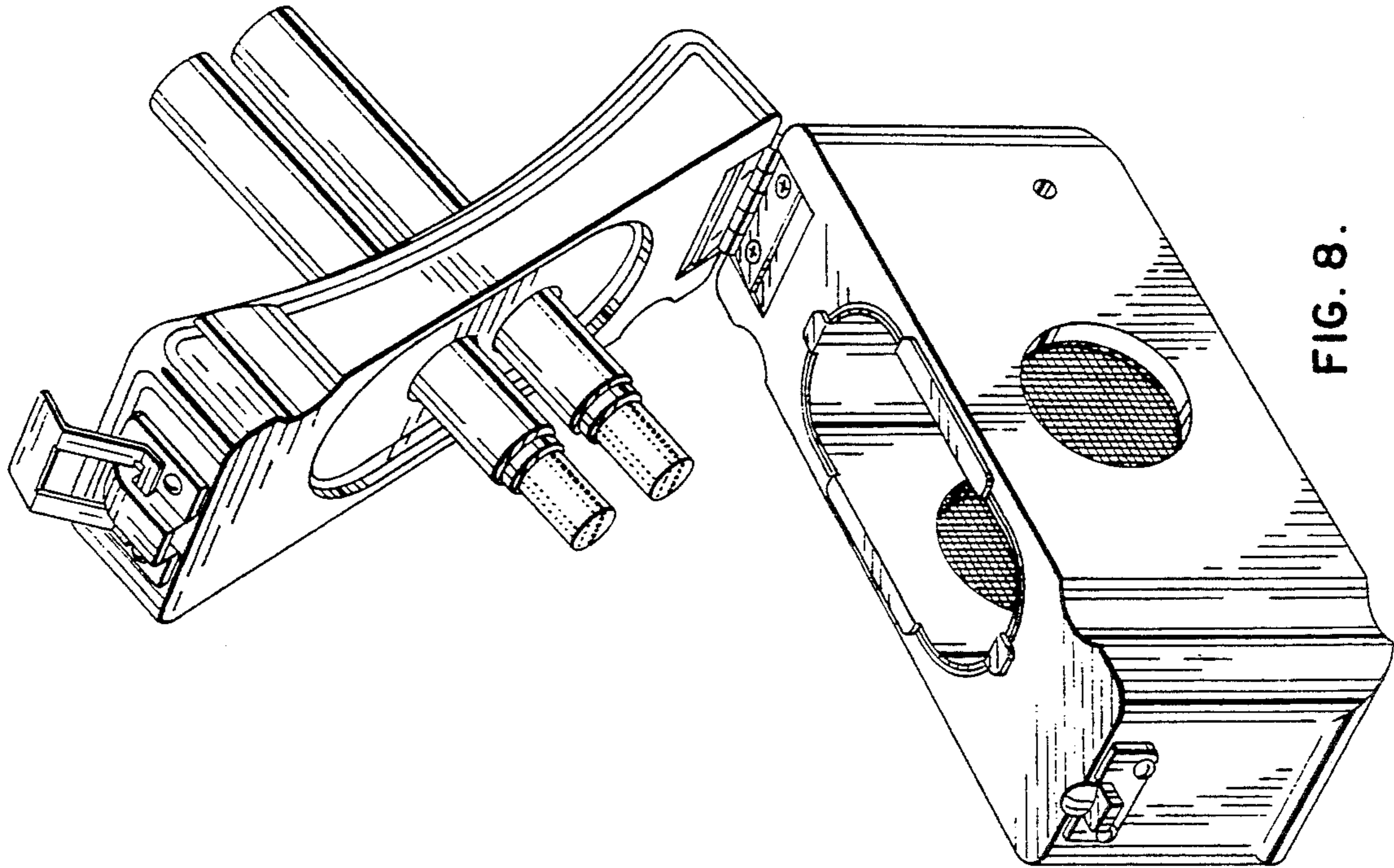


FIG. 8.

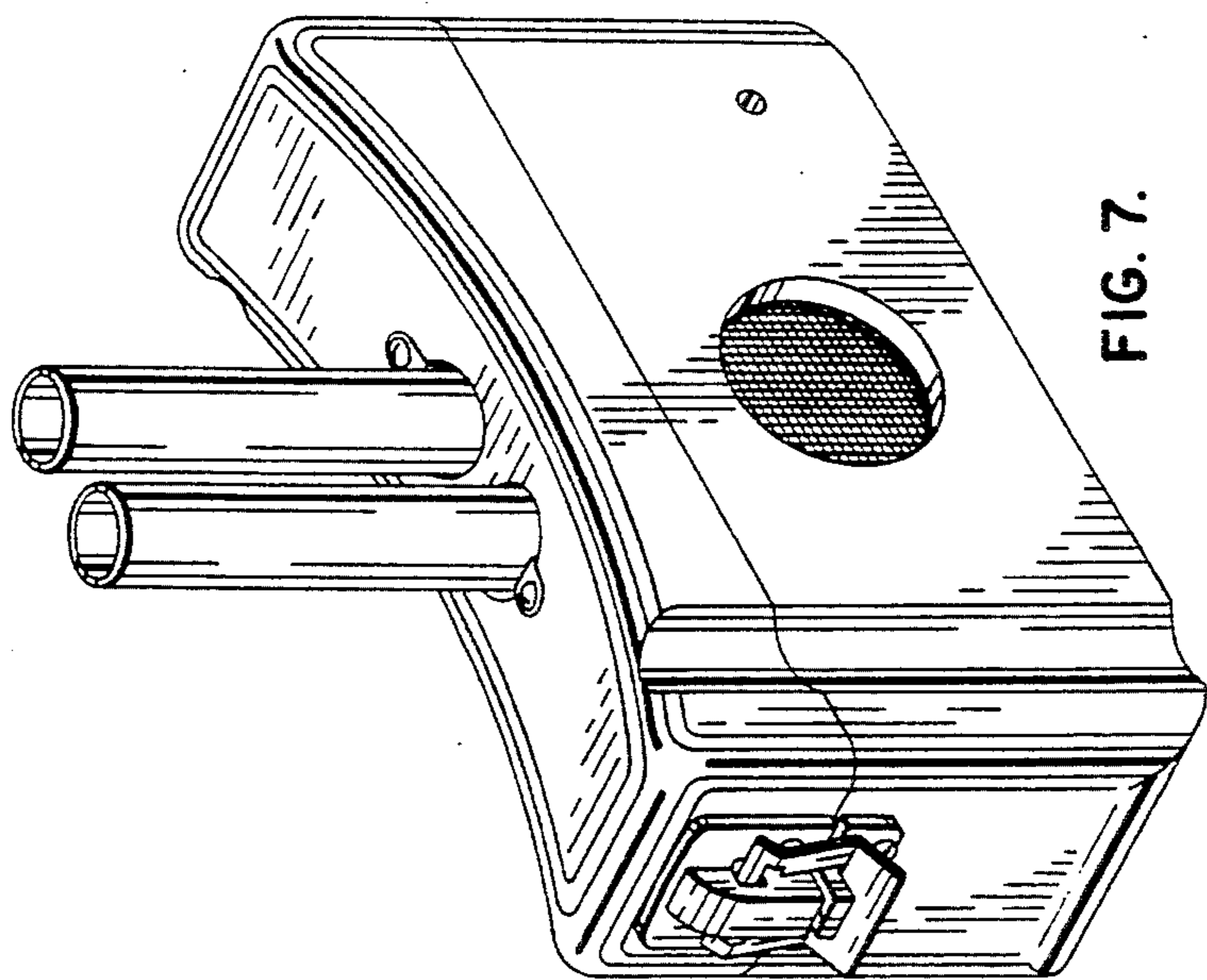


FIG. 7.