



US00D357525S

United States Patent [19]

[11] Patent Number: **Des. 357,525**

Fabian

[45] Date of Patent: **** Apr. 18, 1995**

[54] FAUCET HANDLE

[75] Inventor: **Wolfgang Fabian**, Mannheim, Germany

[73] Assignee: **American Standard Inc.**, Piscataway, N.J.

[**] Term: **14 Years**

[21] Appl. No.: **20,959**

[22] Filed: **Apr. 6, 1994**

[52] U.S. Cl. **D23/252**

[58] Field of Search **D23/238-243, D23/249-254; D8/308, 310; 251/291, 292; 4/675-678; 16/110 R, 111 R, 114 R, 118, 121, 123, 125, DIG. 24, DIG. 30, DIG. 41; 137/801**

[56] **References Cited**

U.S. PATENT DOCUMENTS

- D. 320,335 10/1991 Bengtson D23/252 X
- D. 332,824 1/1993 Robbins D8/308 X
- 638,611 12/1899 Totham 4/675

OTHER PUBLICATIONS

American Standard Inc. Brochure, 1991 pp. 36, 38-A, 51-D.

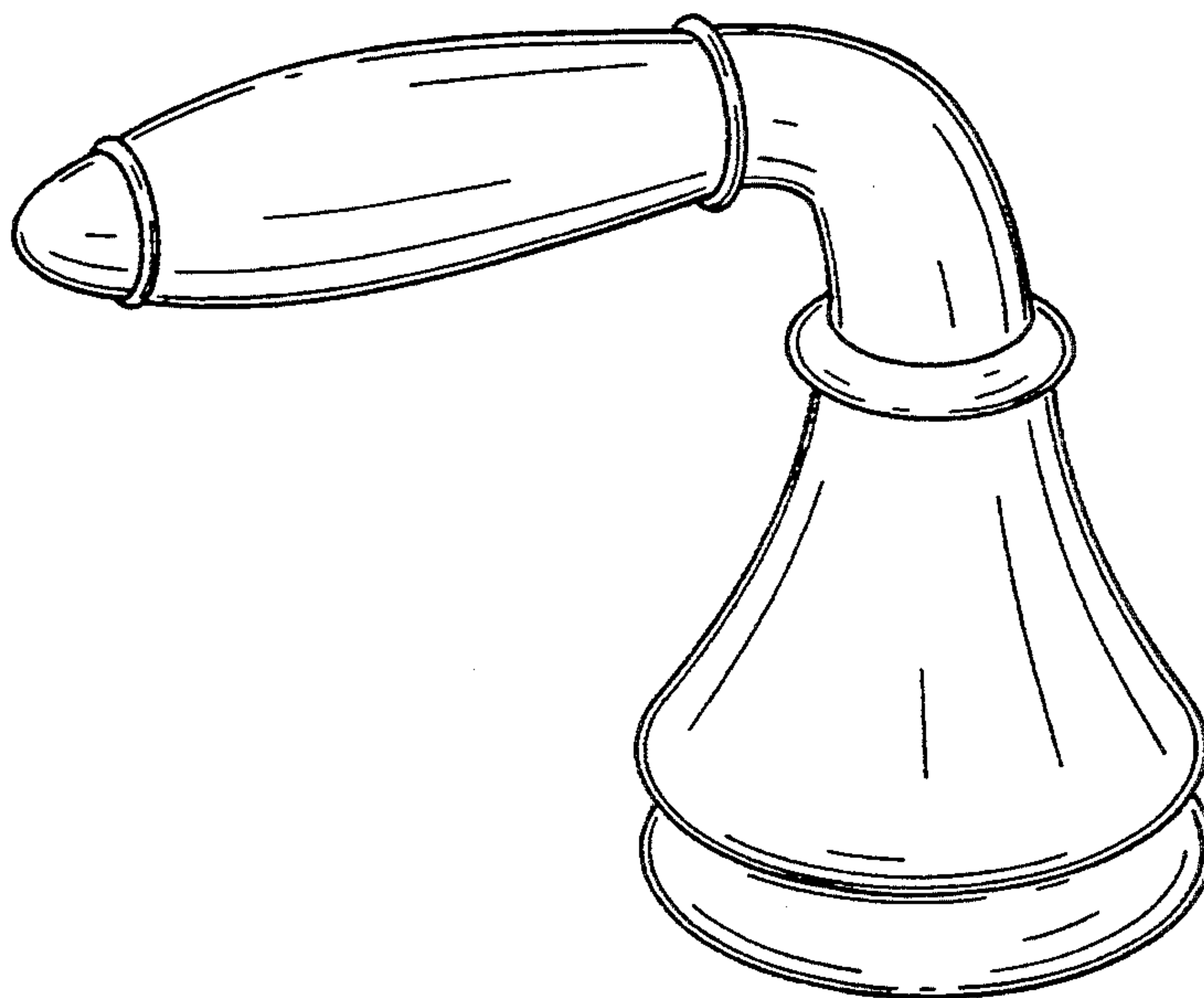
Primary Examiner—A. Hugo Word
Assistant Examiner—E. Watterson
Attorney, Agent, or Firm—Elaine Brenner Robinson; Ann M. Knab

[57] **CLAIM**

The ornamental design for a faucet handle, as shown and described.

DESCRIPTION

FIG. 1 is a left perspective view of a faucet handle showing my new design;
 FIG. 2 is a top plan view thereof;
 FIG. 3 is a front elevational view thereof;
 FIG. 4 is a left side elevational view thereof, the right side view being a mirror image of the left side;
 FIG. 5 is a rear elevational view thereof;
 FIG. 6 is a bottom plan view thereof;
 FIG. 7 is a left perspective view of a faucet handle showing another embodiment of the design herein;
 FIG. 8 is a top plan view of FIG. 7;
 FIG. 9 is a front elevational view of FIG. 7;
 FIG. 10 is a left side elevational view of FIG. 7, the right side view being a mirror image of the left side;
 FIG. 11 is a rear elevational view of FIG. 7; and,
 FIG. 12 is a bottom plan view of FIG. 7.



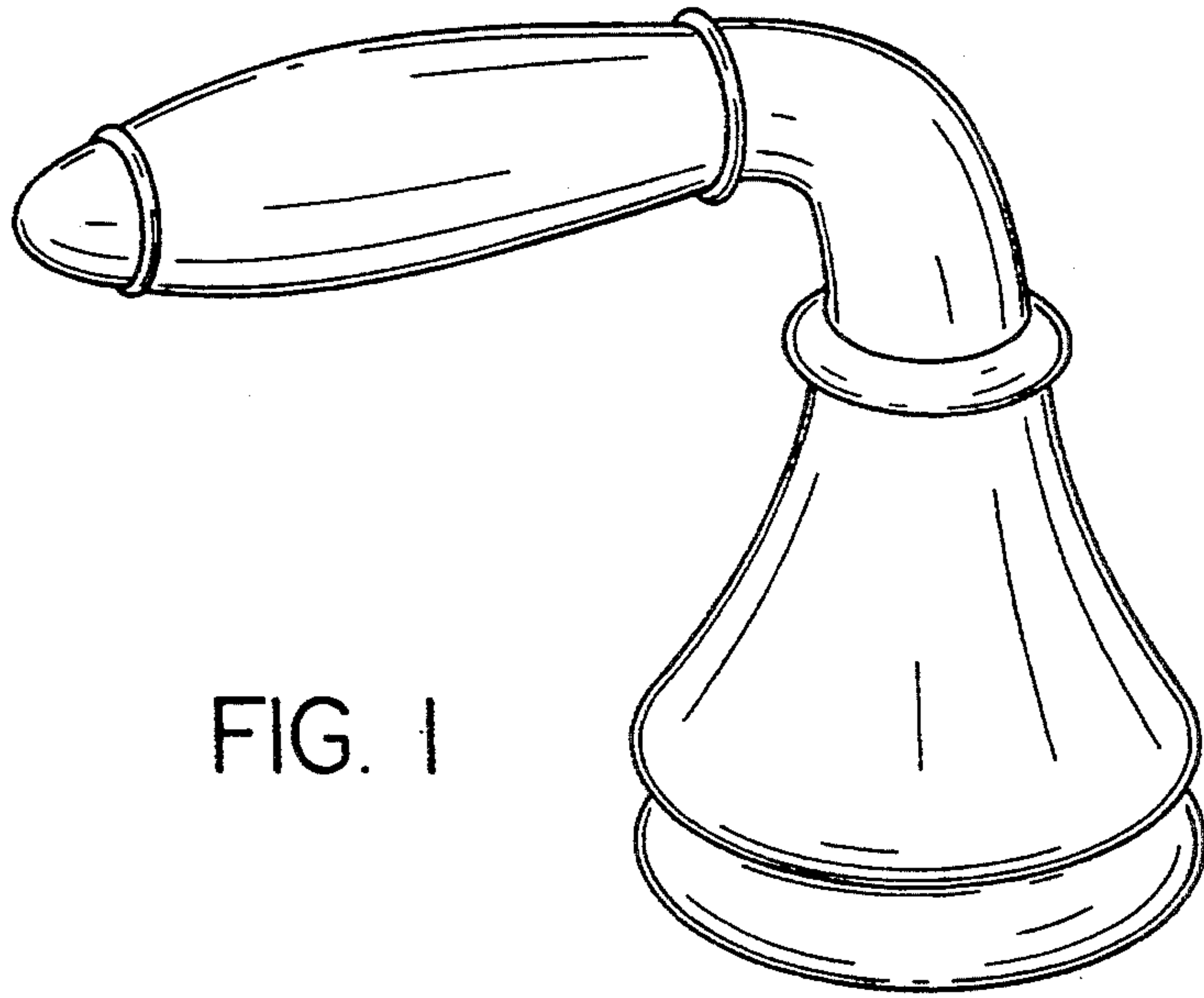


FIG. 1

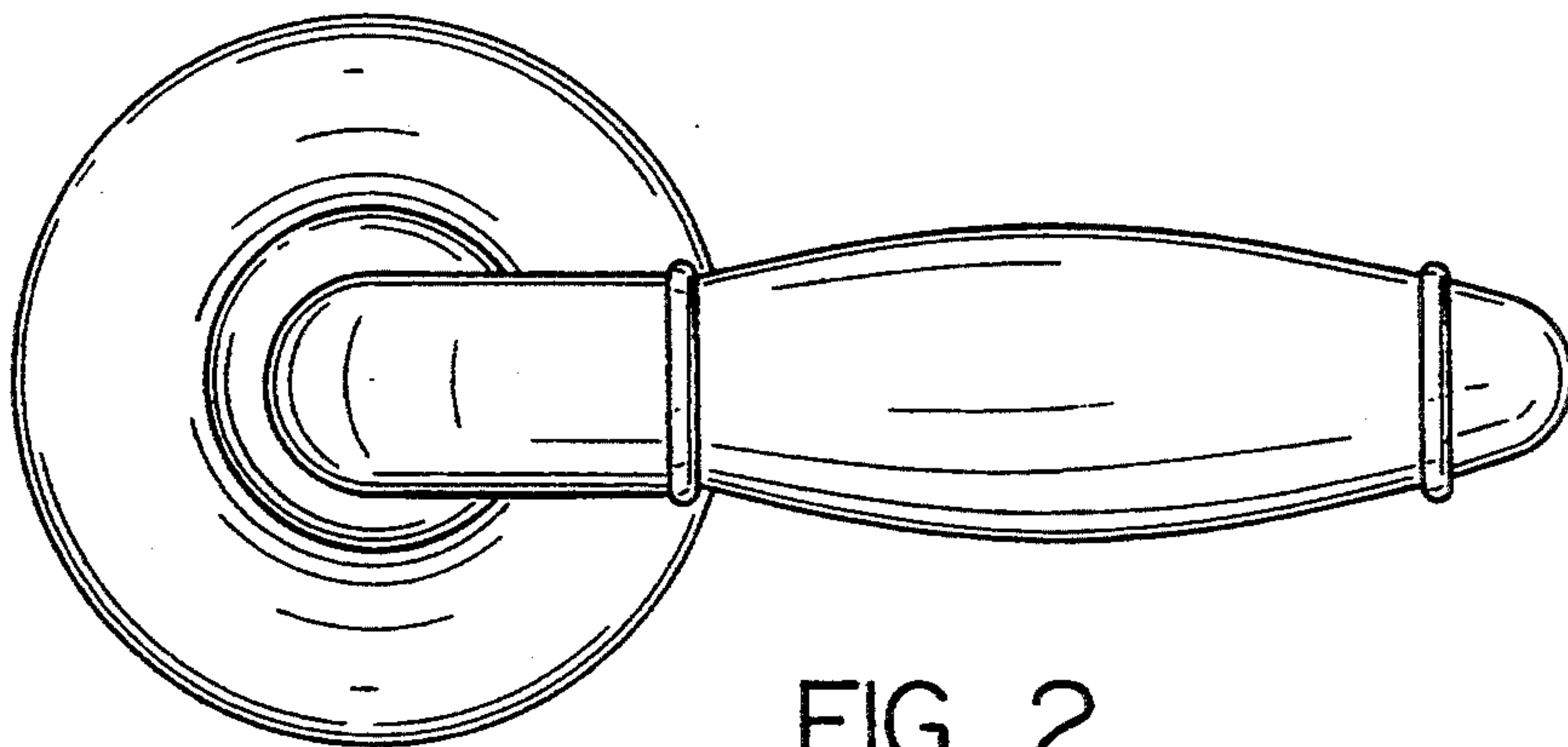


FIG. 2

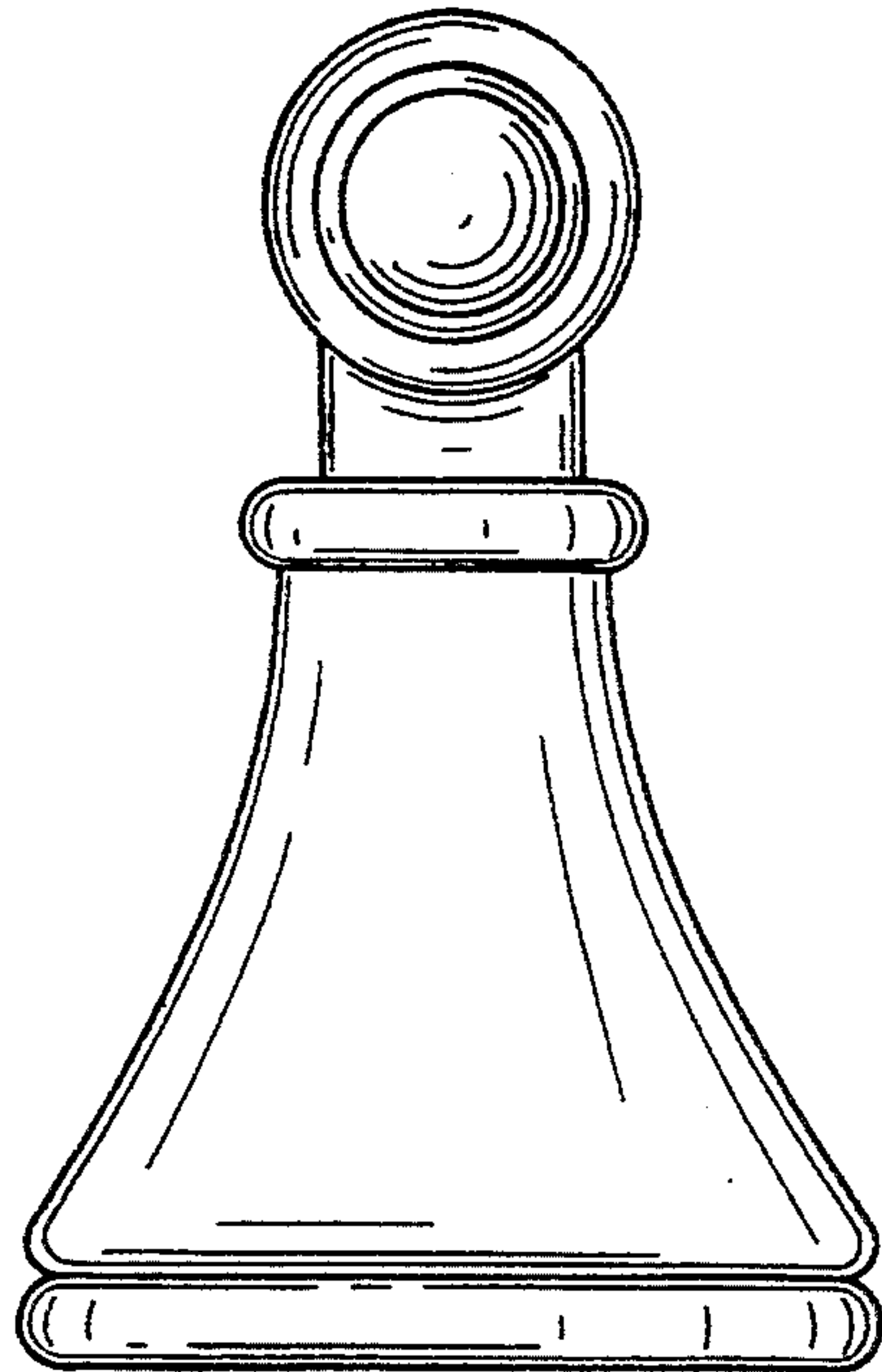


FIG. 3

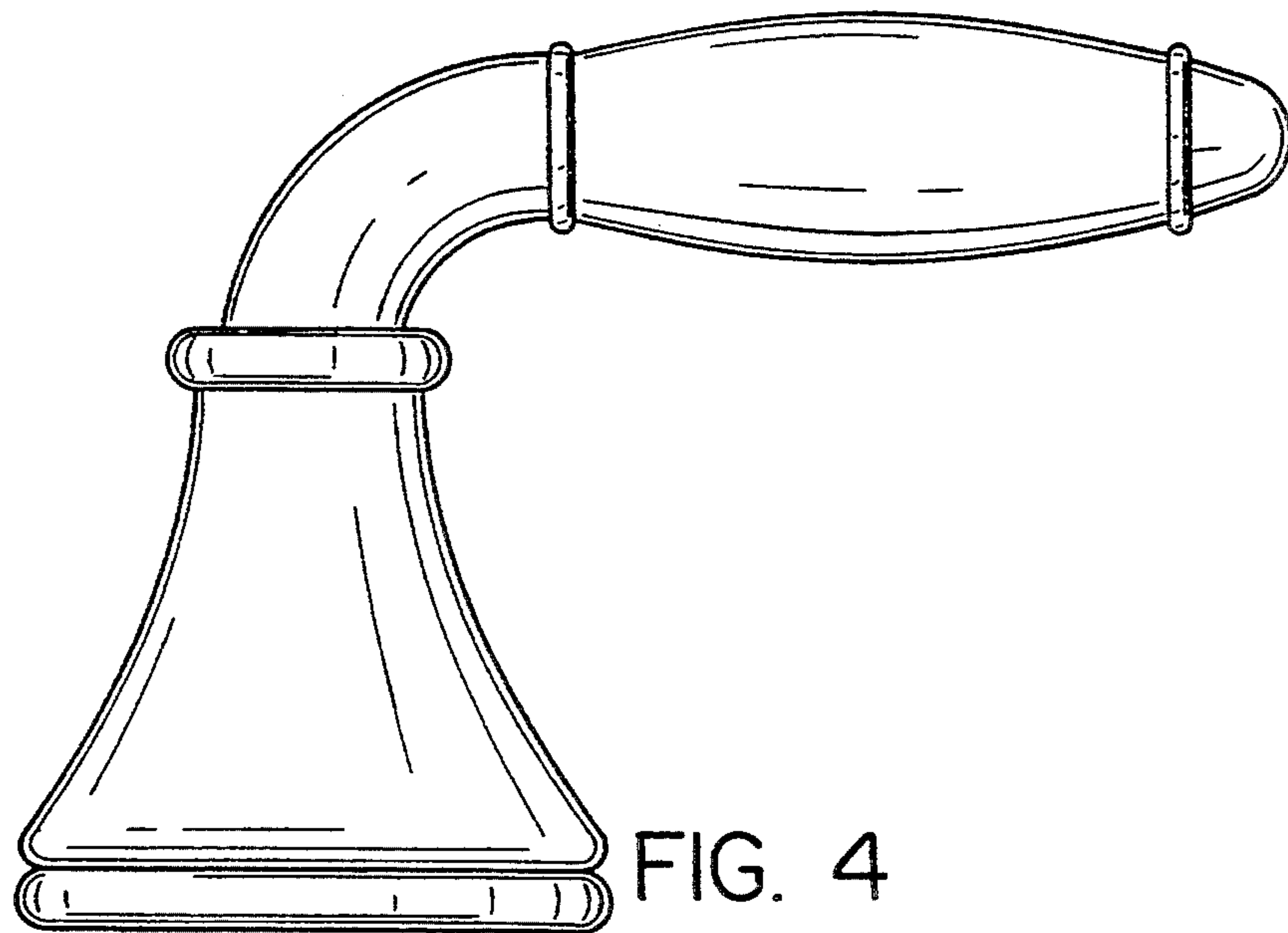


FIG. 4

FIG. 5

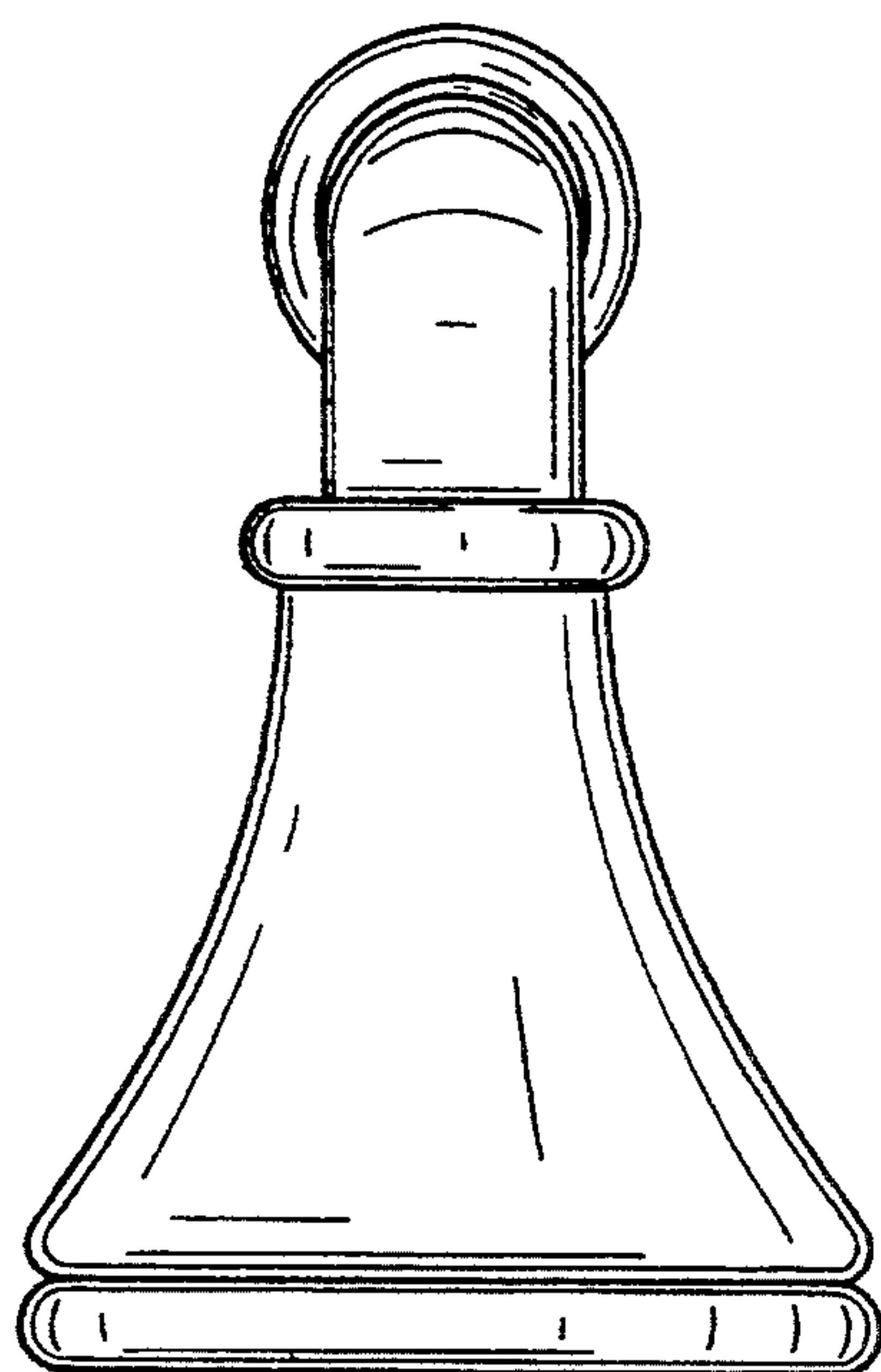
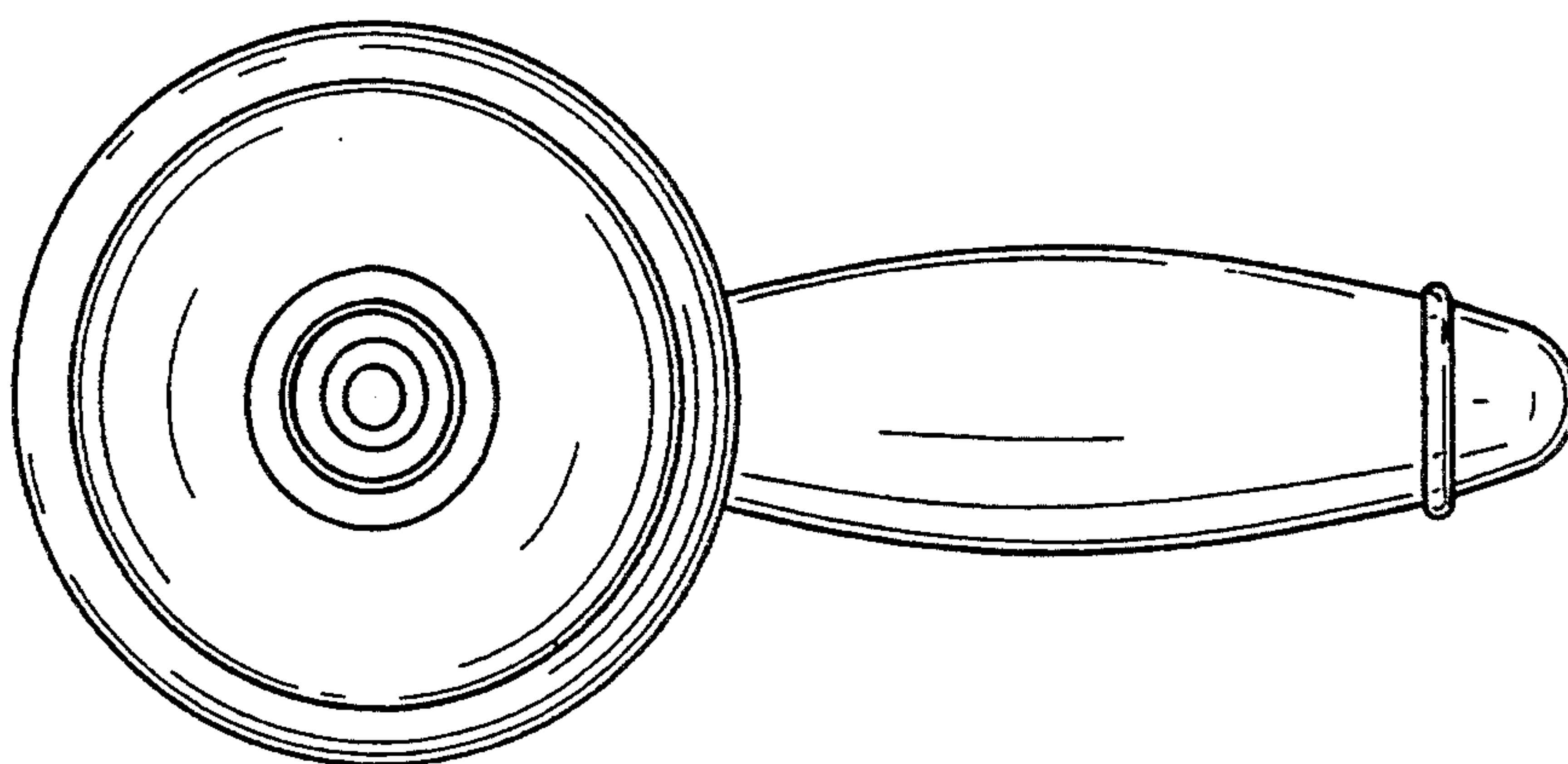


FIG. 6



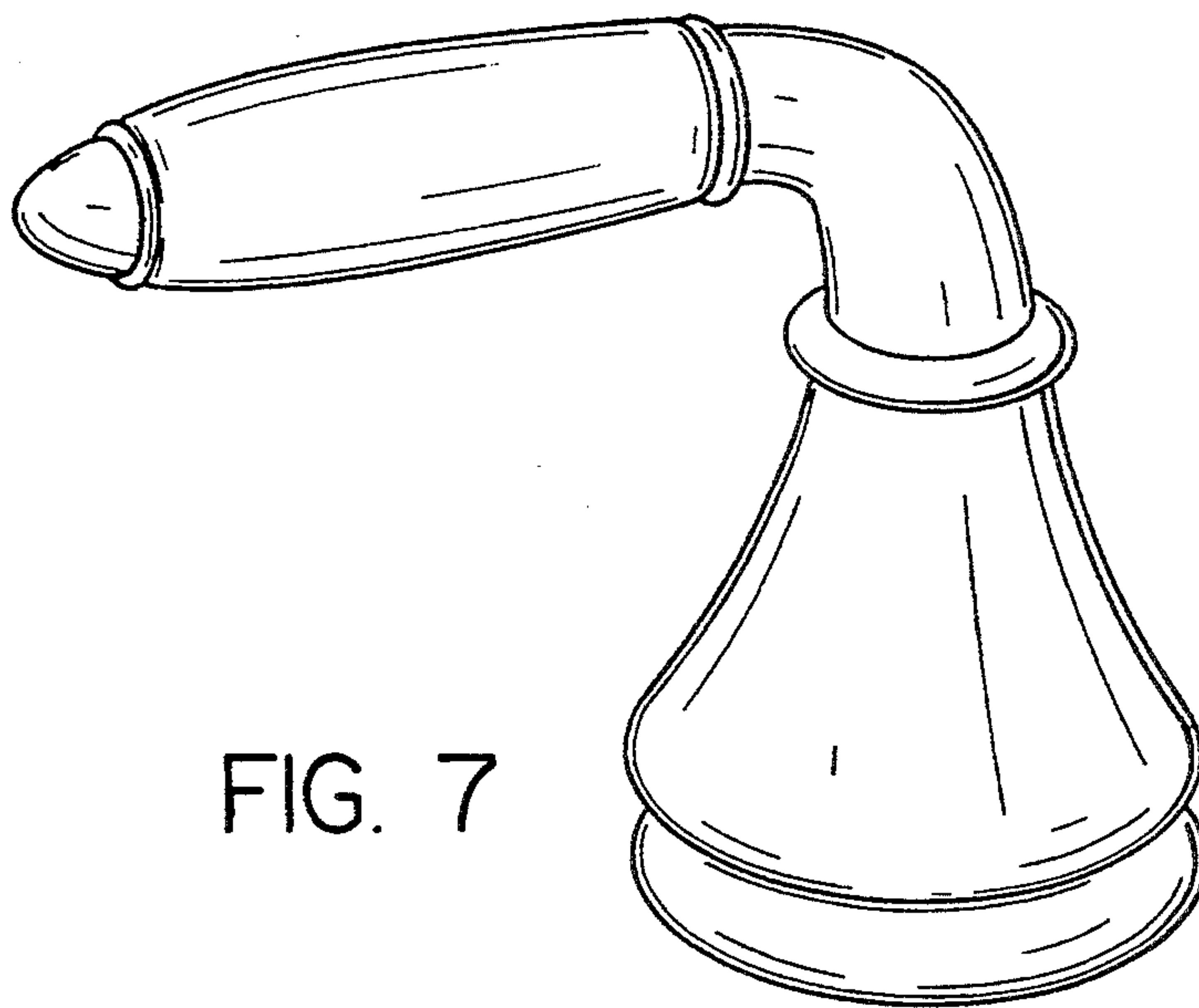


FIG. 7

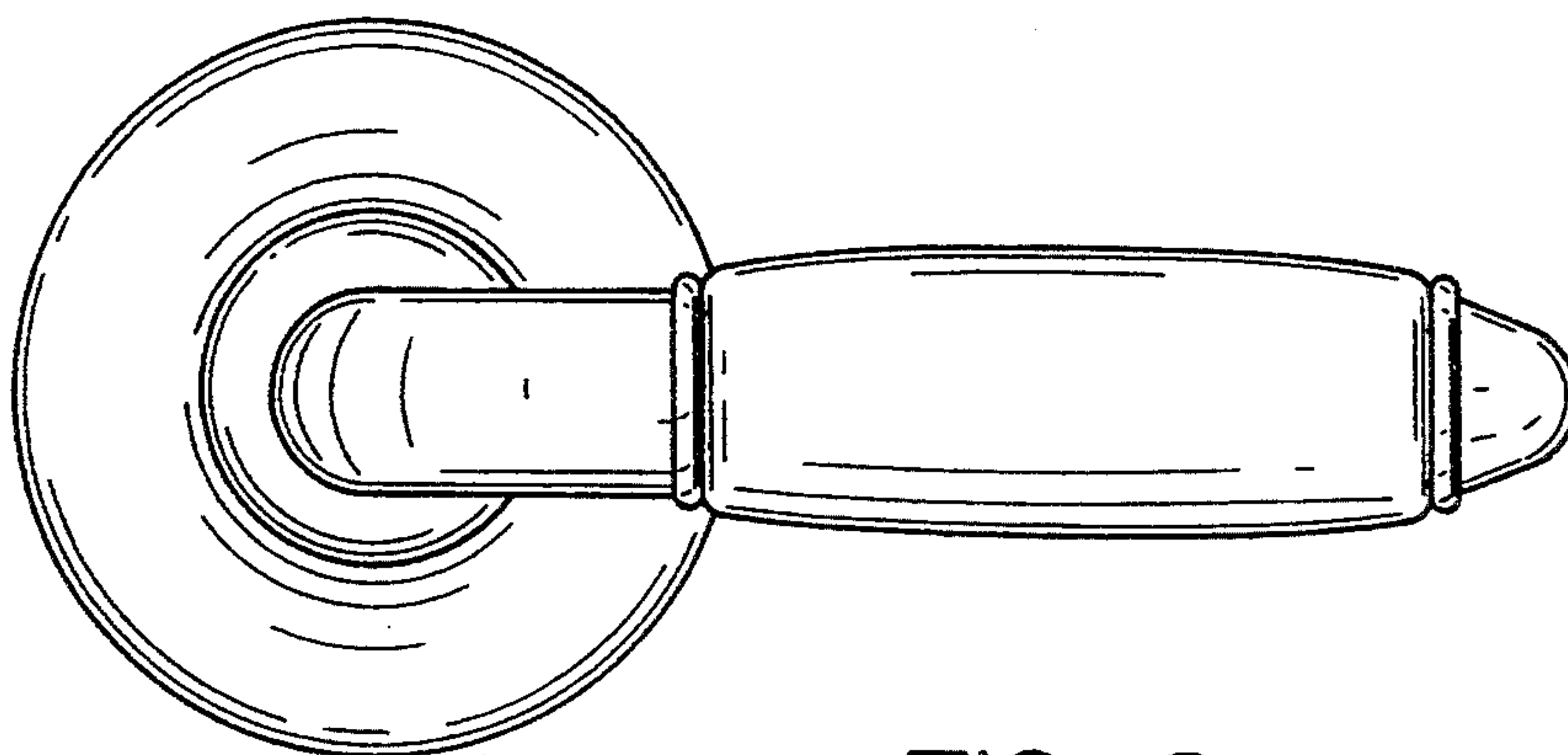


FIG. 8

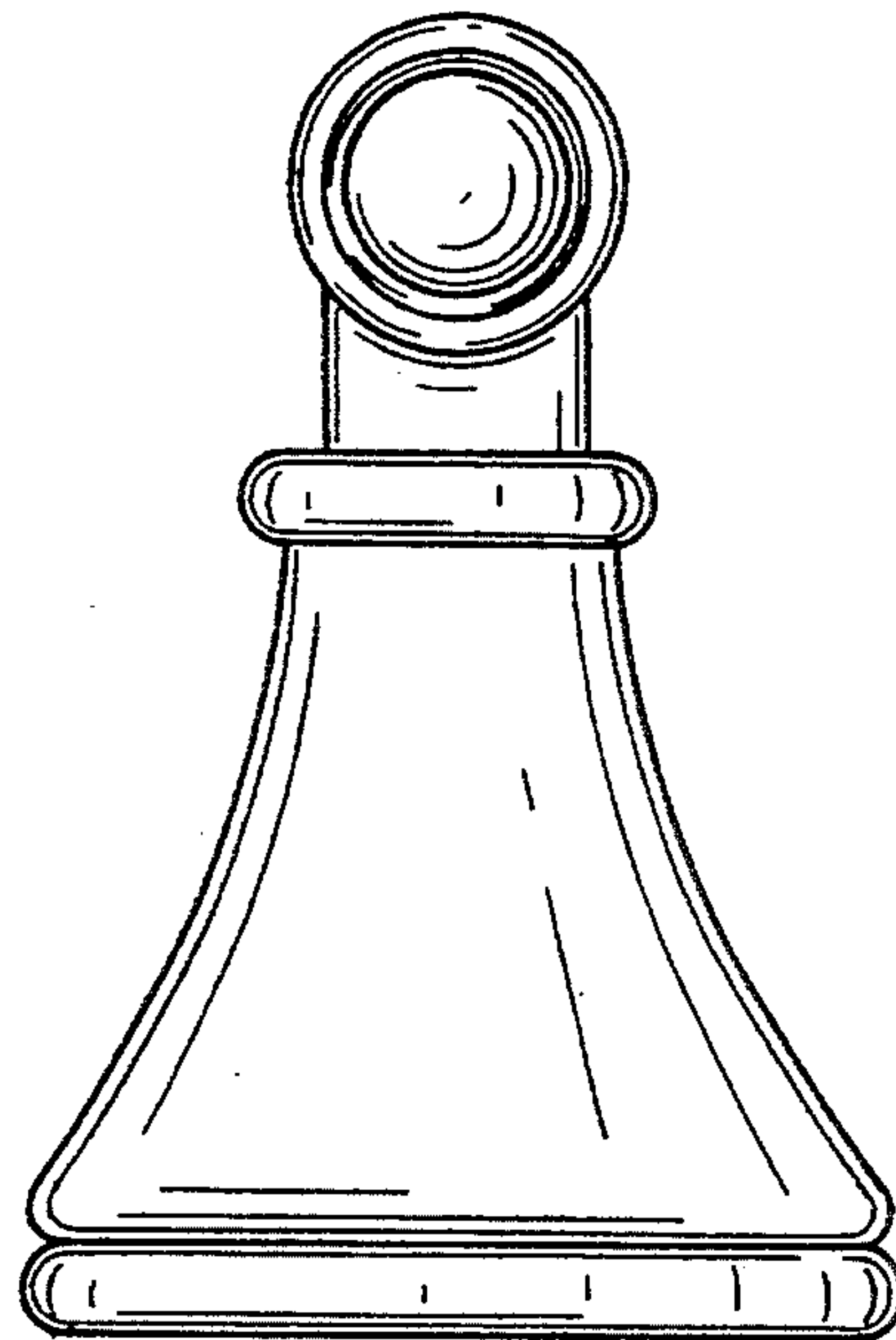


FIG. 9

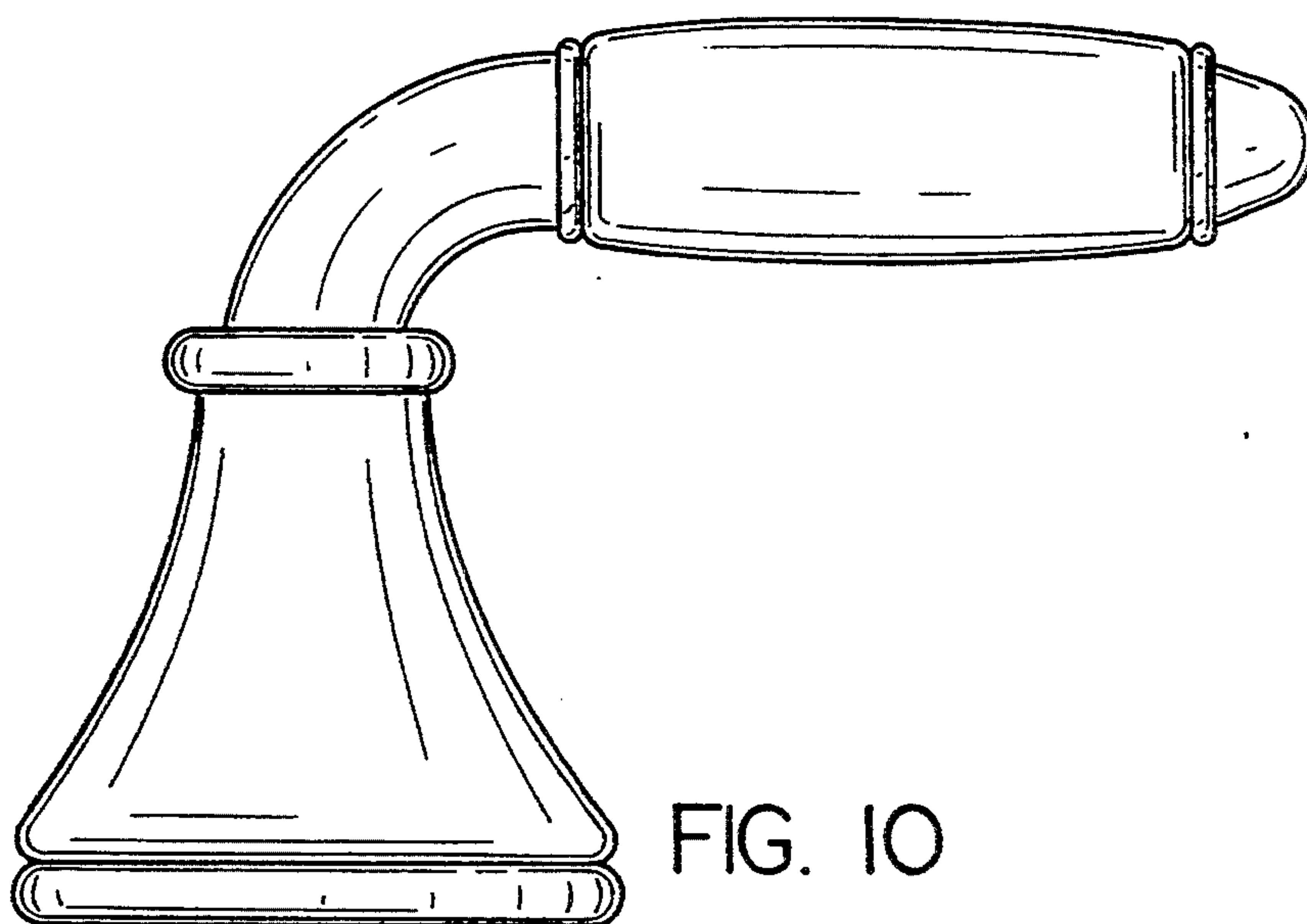


FIG. 10

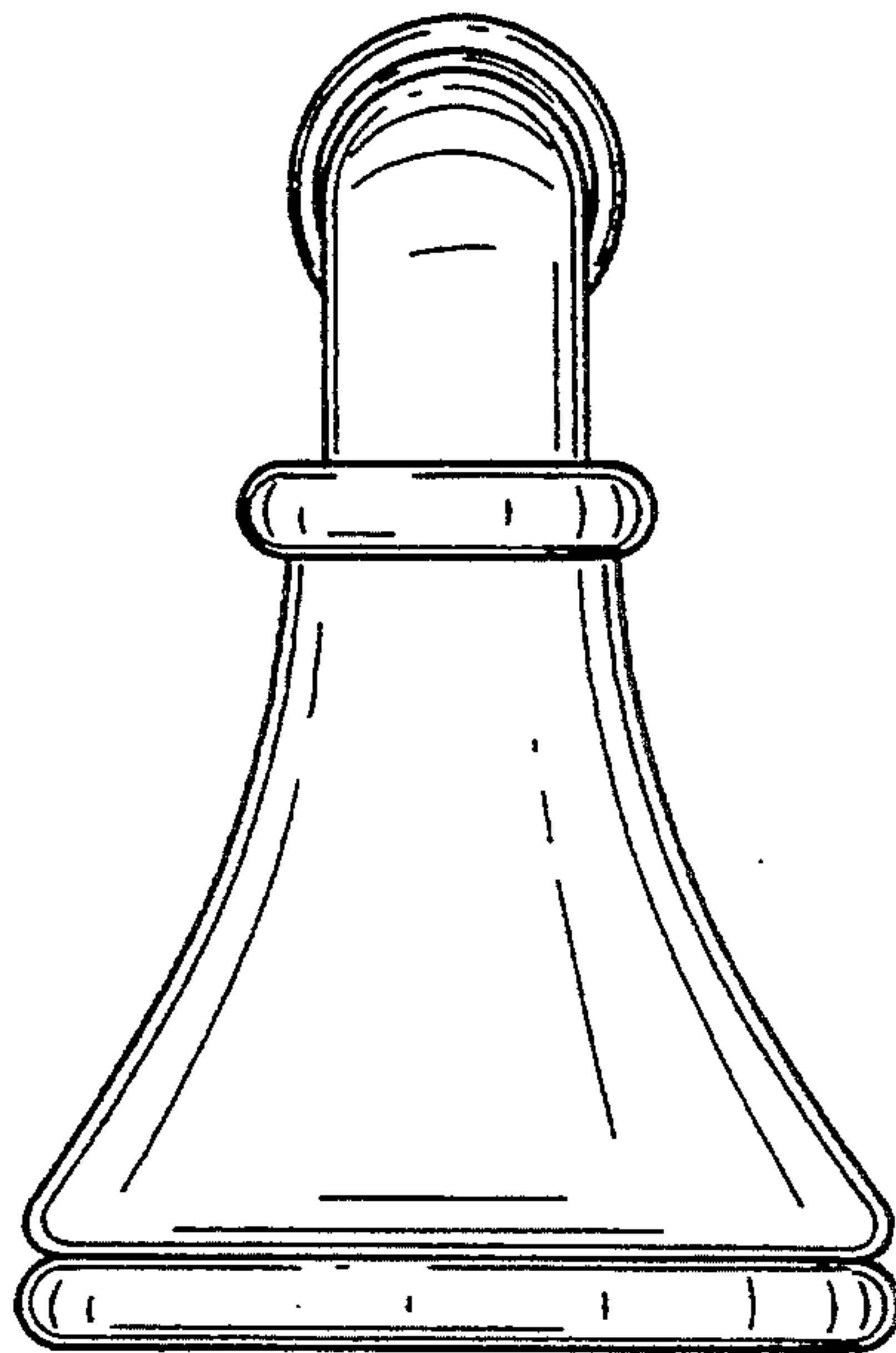


FIG. 11

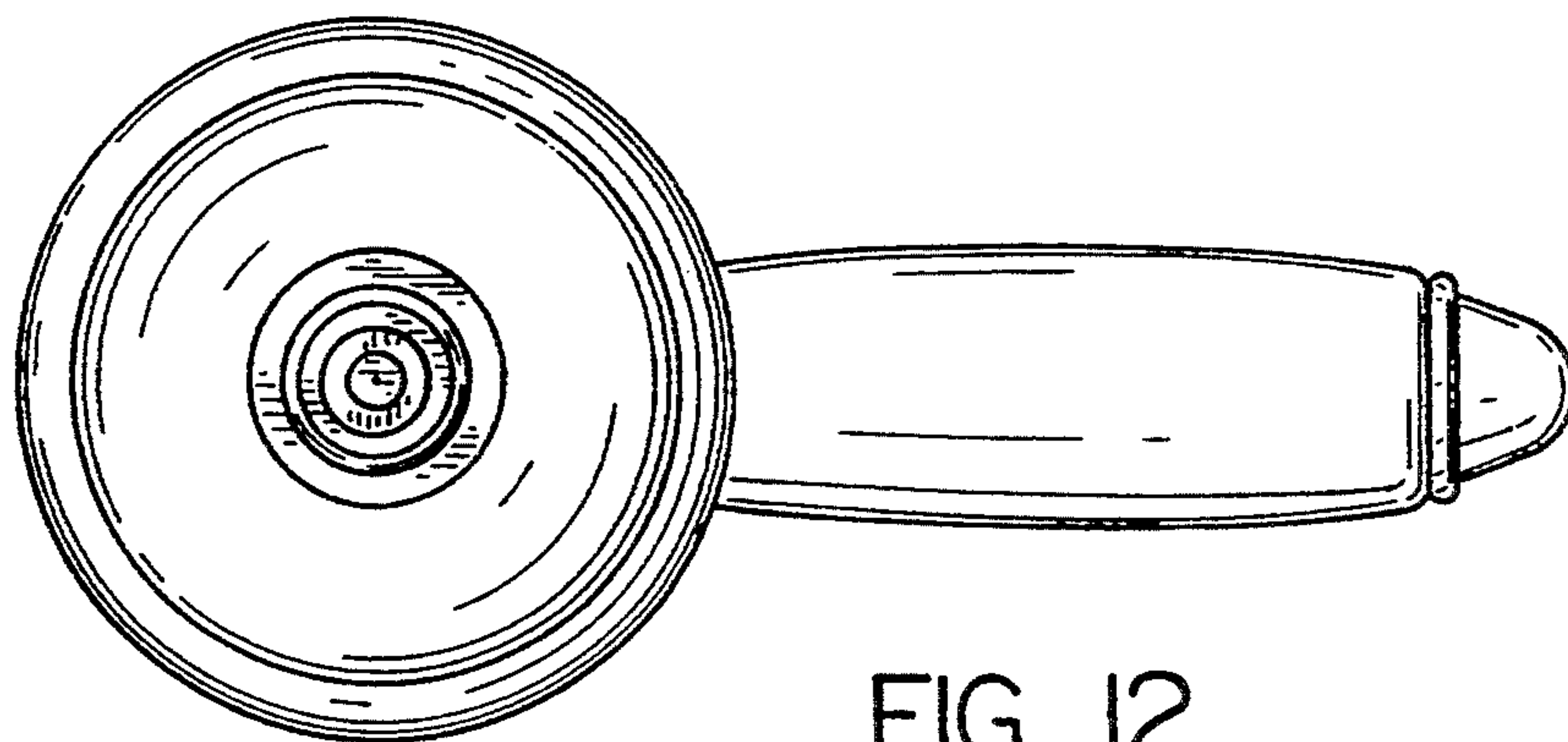


FIG. 12