



US00D357523S

United States Patent [19]

[11] Patent Number: **Des. 357,523**

Givens

[45] Date of Patent: **** Apr. 18, 1995**

[54] **SKATEBOARD**

[76] Inventor: **Michael L. Givens**, 905 B Shepard Ter., Patuxent River, Md. 20670

[**] Term: **14 Years**

[21] Appl. No.: **22,738**

[22] Filed: **May 11, 1994**

[52] U.S. Cl. **D21/227**

[58] Field of Search **D21/224-228, D21/71, 81; D12/135, 147, 150-151; 446/431; 280/11.19, 11.22, 1.13, 1.22, 87.041, 87.042, 842, 843**

3,771,811	11/1973	Bueno	280/87.042
3,992,025	11/1976	Amelio .	
4,034,995	7/1977	Forward	280/843
4,114,913	9/1978	Newell et al. .	
4,181,316	1/1980	Brand et al. .	
5,236,208	8/1993	Welsh	280/87.041

Primary Examiner—Bernard Ansher
Assistant Examiner—R. Barkai

[57] **CLAIM**

The ornamental design for the skateboard, as shown and described.

DESCRIPTION

FIG. 1 is a front elevational view of the skateboard showing my new design;
FIG. 2 is a rear elevational view thereof;
FIG. 3 is a left side elevational view thereof;
FIG. 4 is a right side elevational view thereof;
FIG. 5 is a top plan view thereof; and,
FIG. 6 is a bottom plan view thereof.

[56] **References Cited**

U.S. PATENT DOCUMENTS

D. 243,206	1/1977	Sherwood .	
1,811,532	6/1931	Benetatos	280/843
3,379,454	4/1968	Woodman	280/87.042
3,512,798	5/1970	Siegel .	

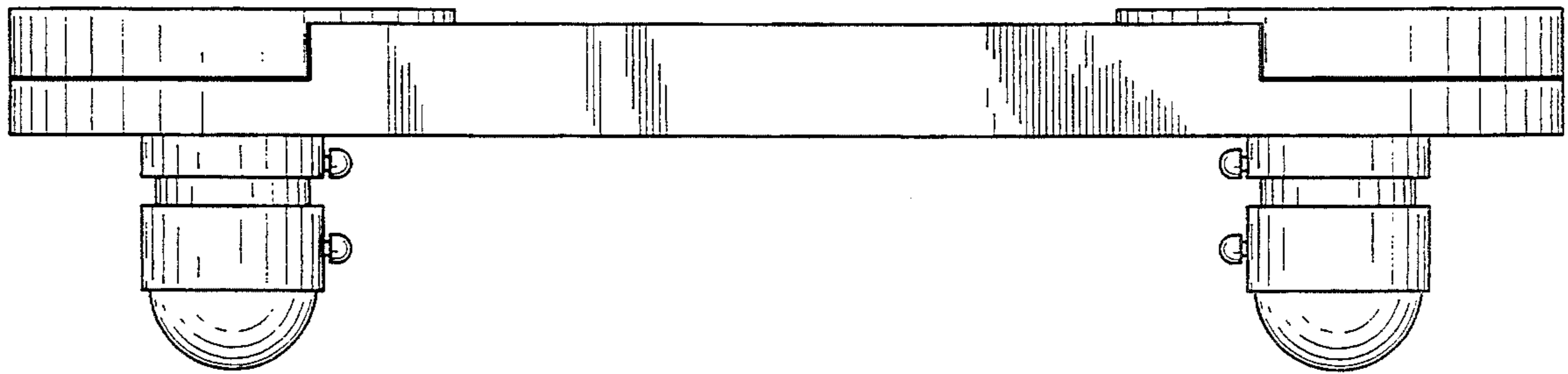


FIG. 1

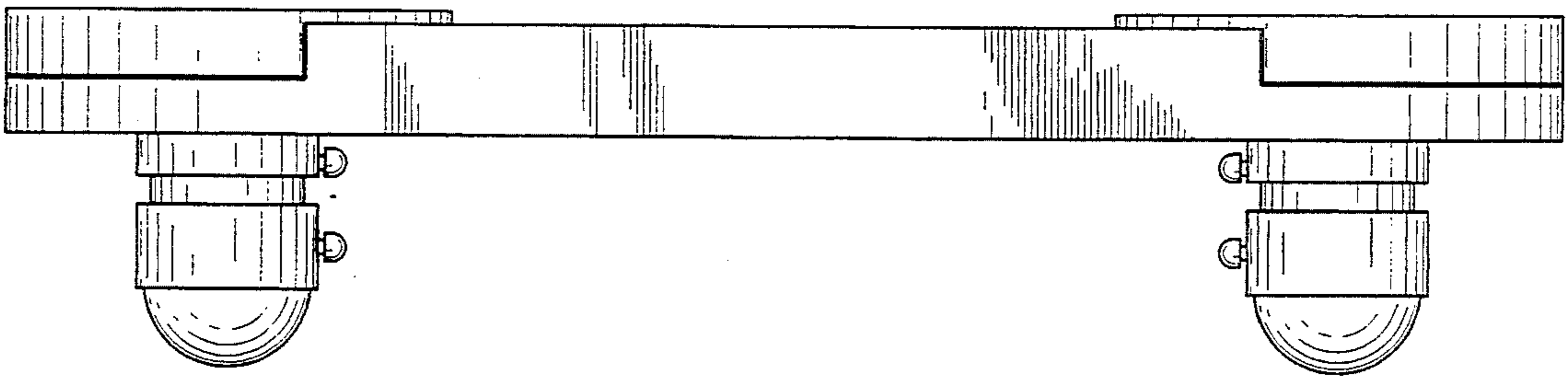


FIG. 2

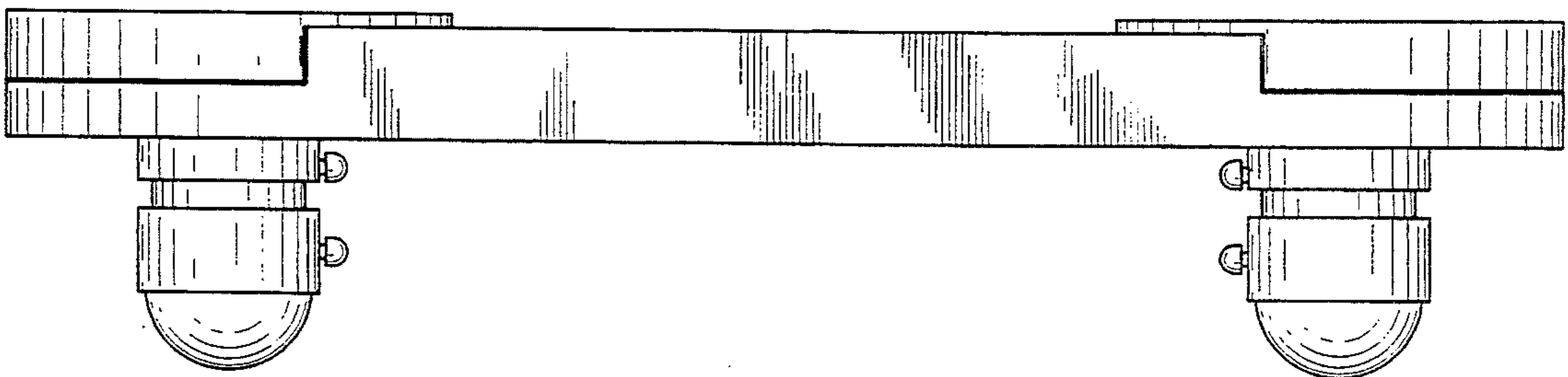


FIG. 3

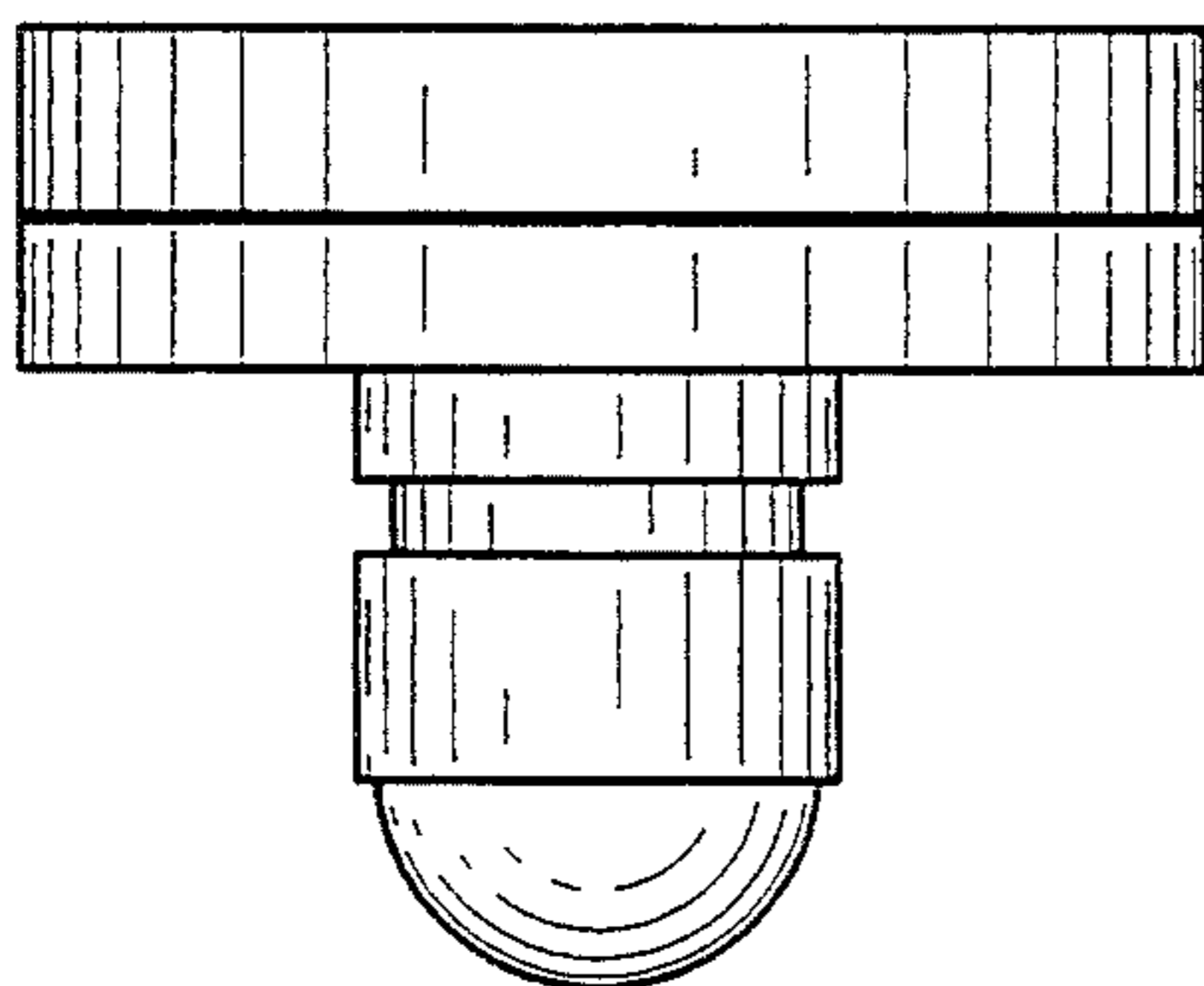


FIG. 4

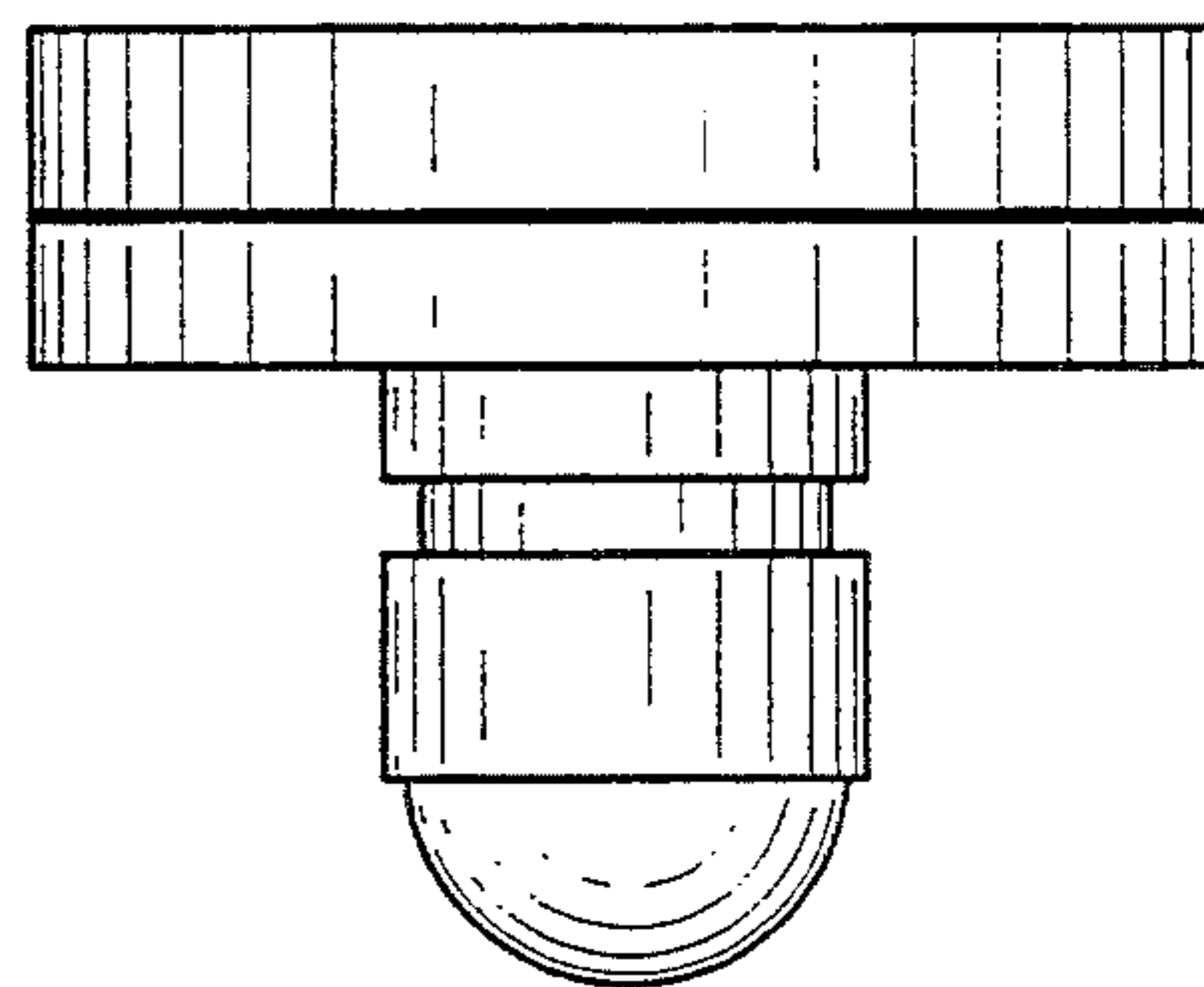


FIG. 5

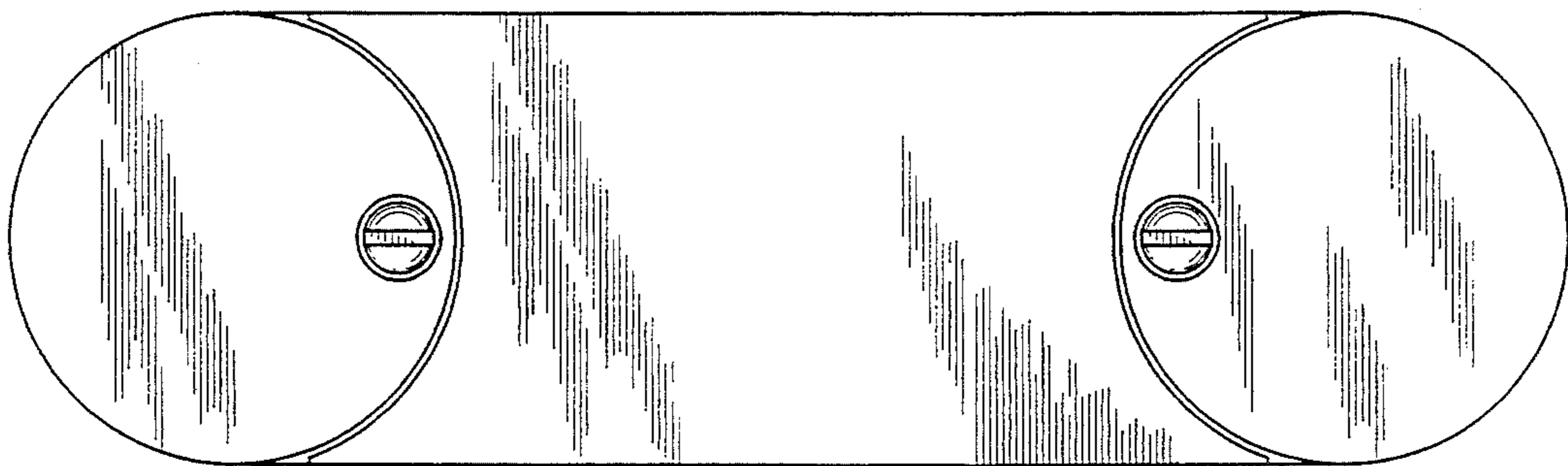


FIG. 6

