



US00D357518S

United States Patent [19]

[11] Patent Number: **Des. 357,518**

Hansberry

[45] Date of Patent: **** Apr. 18, 1995**

[54] **JIGSAW BREAK-AWAY BASKETBALL BACKBOARD AND HOOP**

[76] Inventor: **Martin P. Hansberry**, 3516 10th St. NW., Washington, D.C. 20010

[**] Term: **14 Years**

[21] Appl. No.: **897,526**

[22] Filed: **Jun. 12, 1992**

[52] U.S. Cl. **D21/201**

[58] Field of Search **D21/201; 273/1.5 R**

[56] **References Cited**

U.S. PATENT DOCUMENTS

- D. 315,185 3/1991 Maloney D21/201
- D. 320,637 10/1991 Fish et al. D21/201

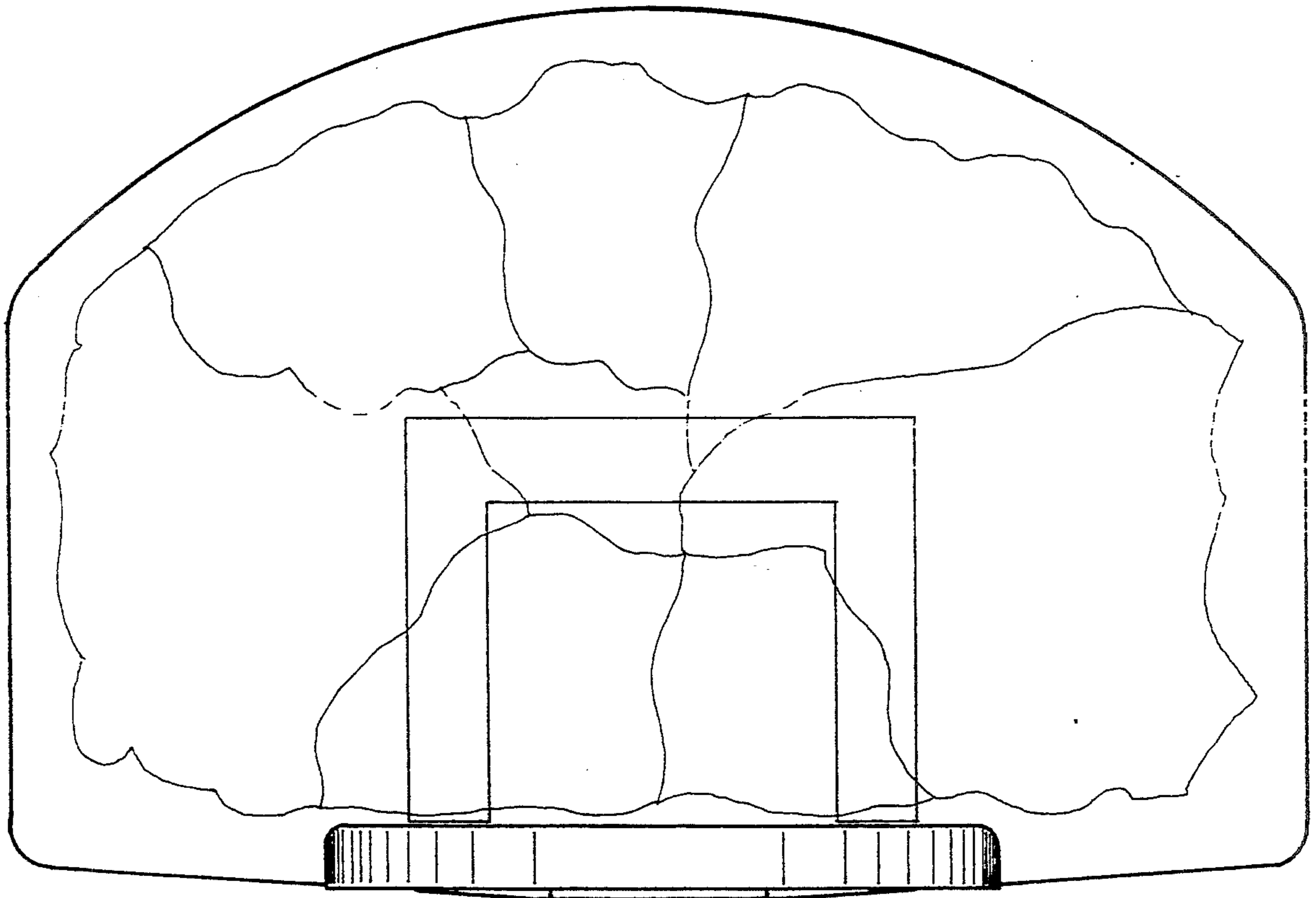
Primary Examiner—Melvin B. Feifer

[57] **CLAIM**

The ornamental design for a jigsaw break-away basketball backboard and hoop, as shown.

DESCRIPTION

FIG. 1 is a front elevational view of the jigsaw break-away basketball backboard and hoop;
 FIG. 2 is a back elevational of the jigsaw break-away basketball backboard and hoop;
 FIG. 3 is a top plan view of the jigsaw break-away basketball backboard and hoop;
 FIG. 4 is a bottom plan view of the jigsaw break-away basketball backboard and hoop;
 FIG. 5 is a left side elevation of the jigsaw break-away basketball backboard and hoop; and,
 FIG. 6 is a right side elevation of the jigsaw break-away basketball backboard and hoop.



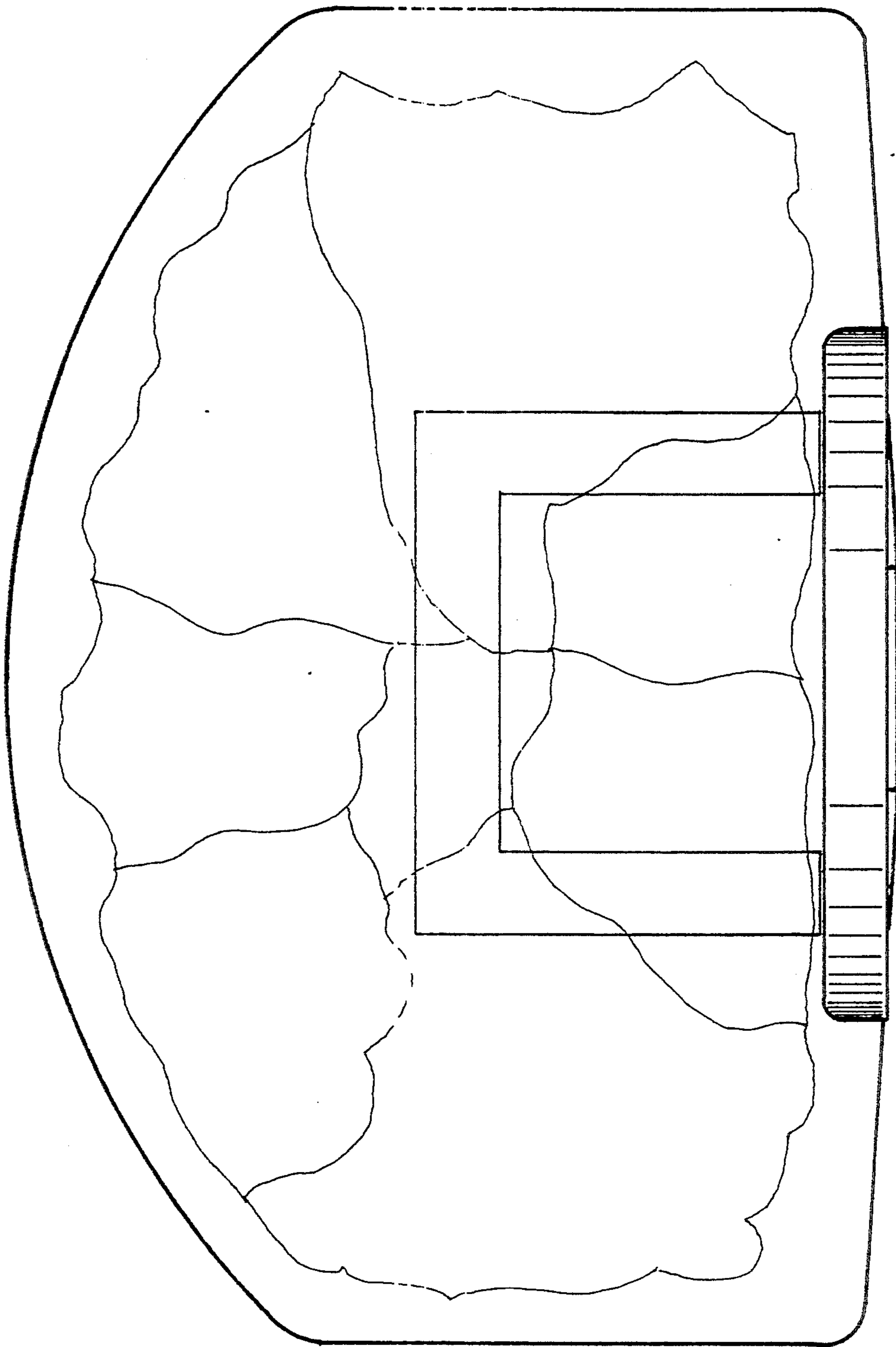


FIG. 1

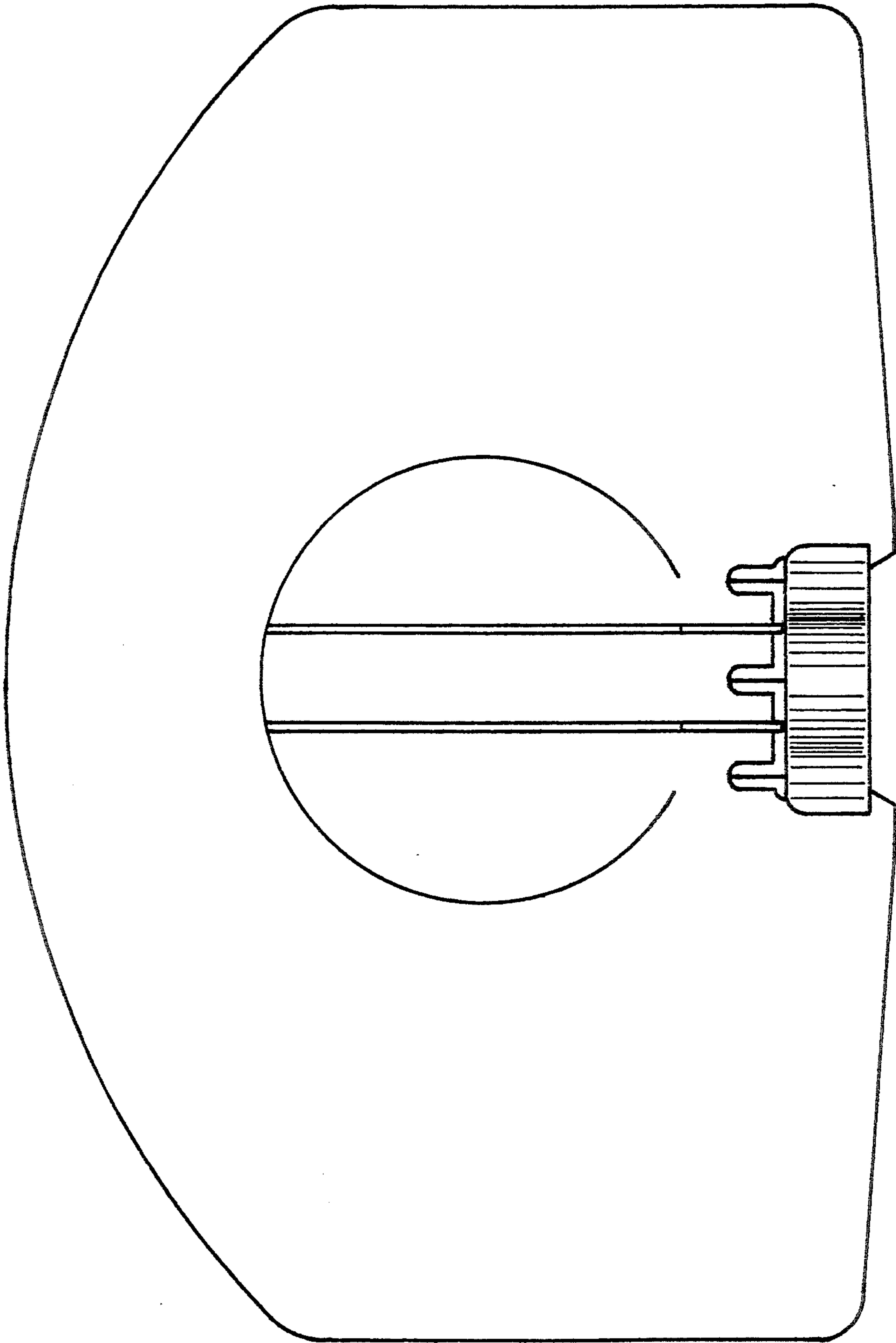


FIG. 2

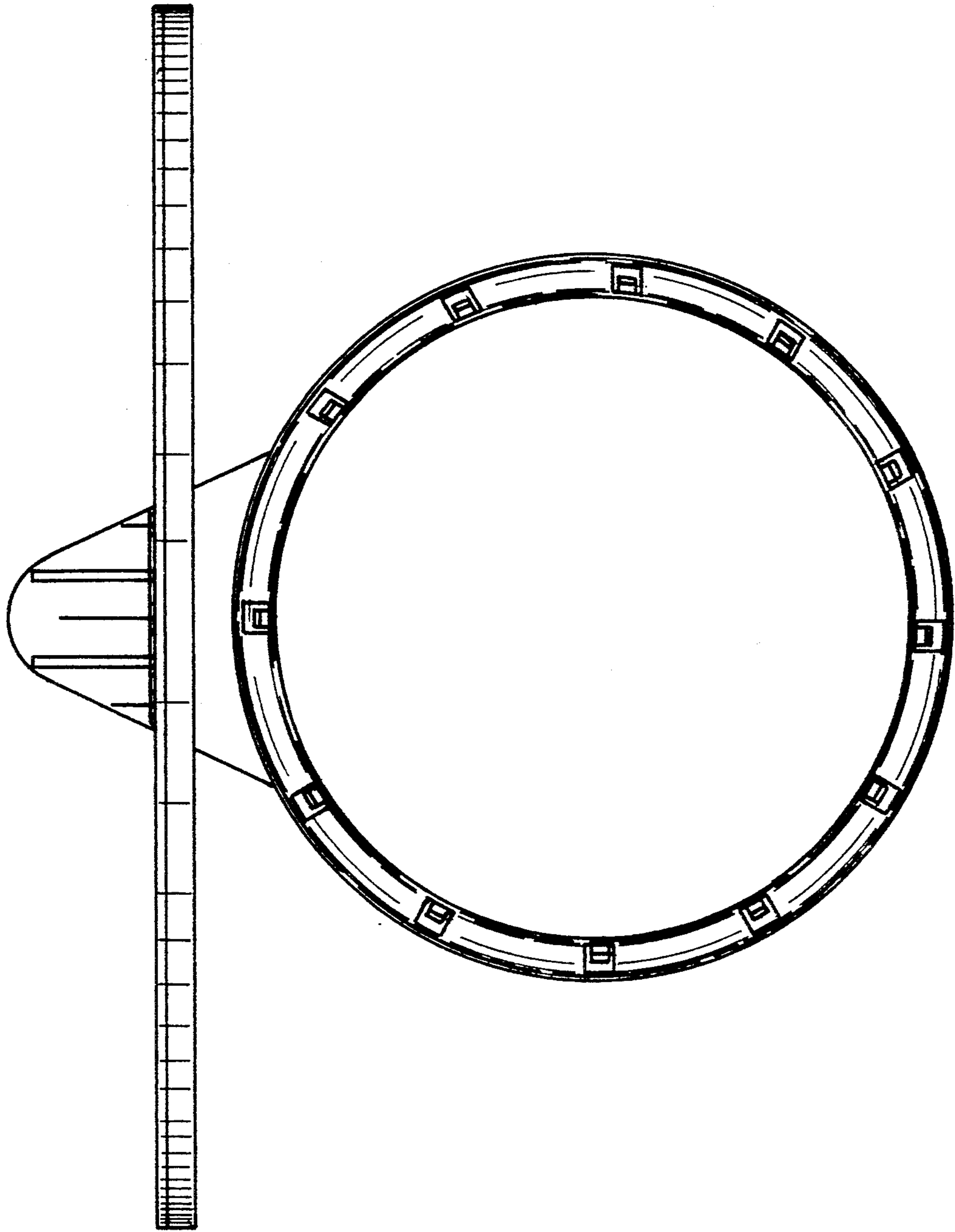


FIG. 3

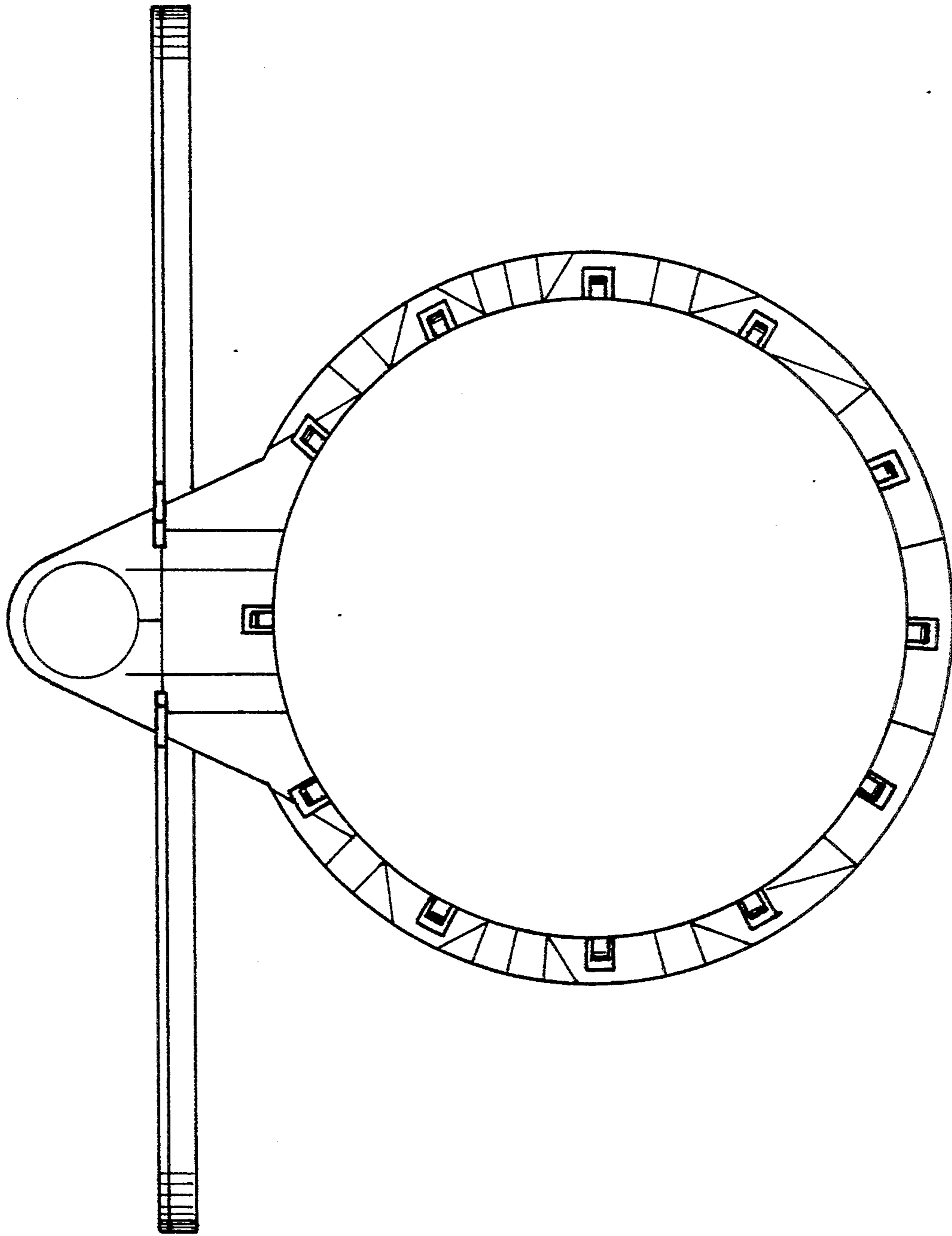


FIG. 4

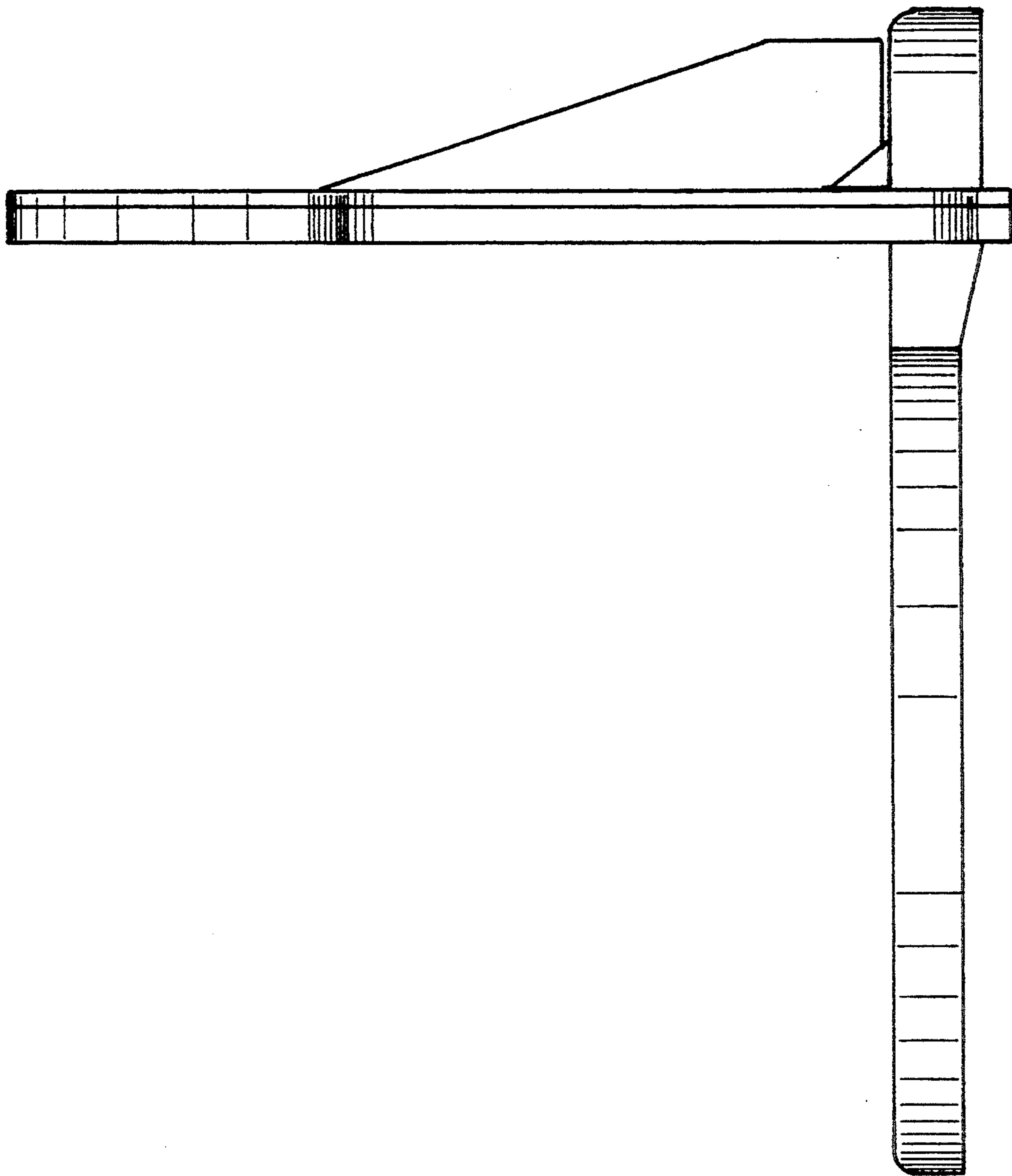


FIG. 5

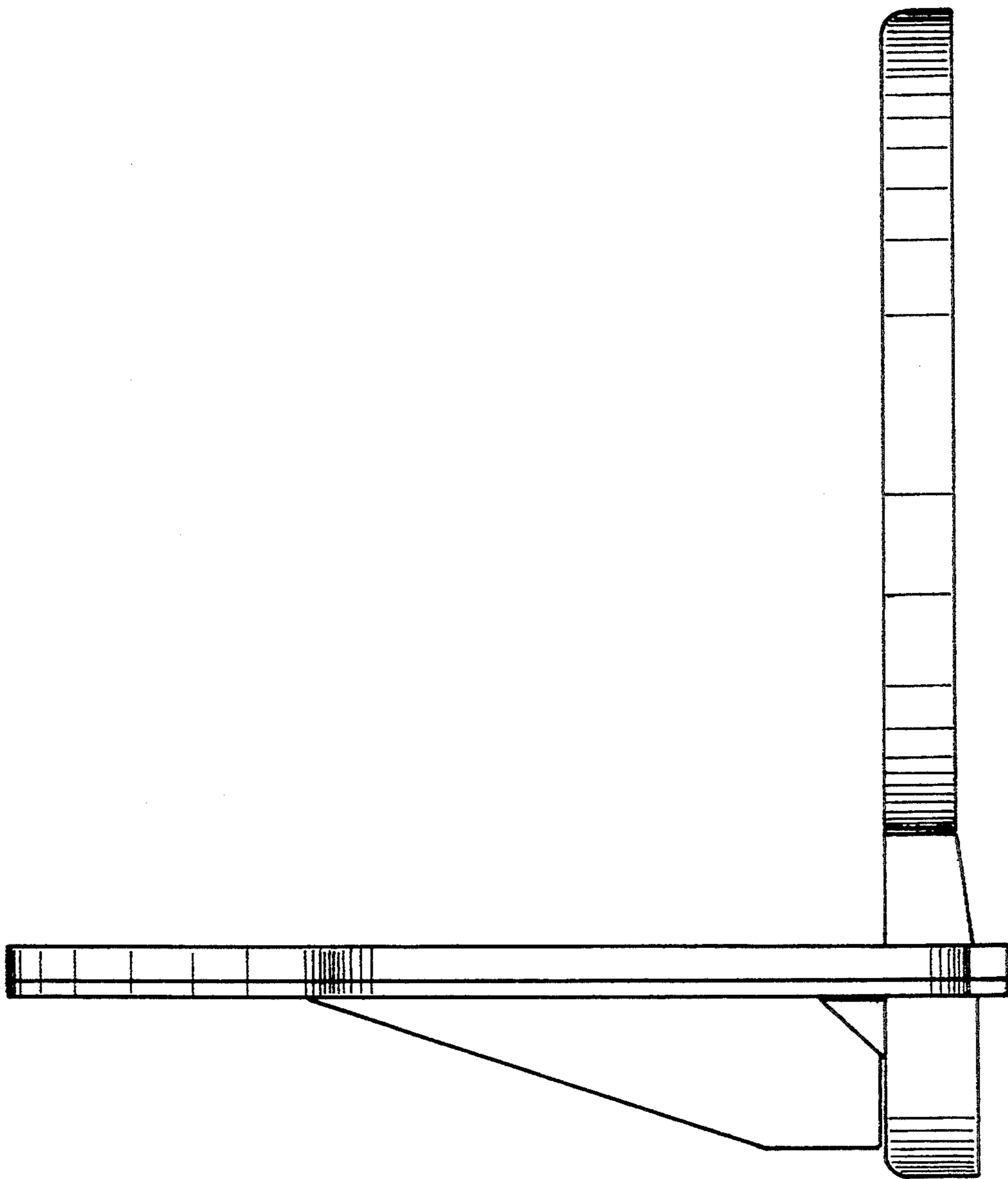


FIG. 6