



US00D357515S

United States Patent [19]

[11] Patent Number: **Des. 357,515**

Gierahn et al.

[45] Date of Patent: **** Apr. 18, 1995**

[54] CHAIR FOR A TOY BUILDING SET

[75] Inventors: **Pernille A. Gierahn**, Horsholm;
Charlotte K. H. Hojlund, Virum,
both of Denmark

[73] Assignee: **Interlego AG**, Baar, Switzerland

[**] Term: **14 Years**

[21] Appl. No.: **13,275**

[22] Filed: **Sep. 22, 1993**

[52] U.S. Cl. **D21/123**

[58] Field of Search **D21/108, 109, 111, 114,
D21/121, 123; D6/480, 334, 381; D12/6;
446/107, 111, 116, 121, 125, 128, 141, 268, 296,
322, 323, 460, 479, 482, 490**

[56] References Cited

U.S. PATENT DOCUMENTS

D. 51,659	1/1918	Róberts	D21/123
D. 140,583	3/1945	Brunetti	D21/123
D. 291,219	8/1987	Ryaa	D21/123
D. 340,094	10/1993	Houry	D21/123
1,379,648	5/1921	Niebel	446/482
1,660,119	2/1928	Decker	446/482

FOREIGN PATENT DOCUMENTS

133178 5/1933 Germany 446/479

OTHER PUBLICATIONS

Fisher-Price Catalog, 1987 p. 64 lower left of page--
chair.

Constructive Playthings, 1992 p. 40 right side of page--
chair.

Primary Examiner—Terry A. Wallace

Assistant Examiner—R. Barkai

Attorney, Agent, or Firm—Kane, Dalsimer, Sullivan,

Kurucz, Levy, Eisele and Richard

[57] CLAIM

The ornamental design for a chair for a toy building set,
as shown and described.

DESCRIPTION

FIG. 1 is a top perspective view of the chair for a toy
building set showing our new design;

FIG. 2 is a bottom perspective view thereof;

FIG. 3 is a right side elevational view thereof;

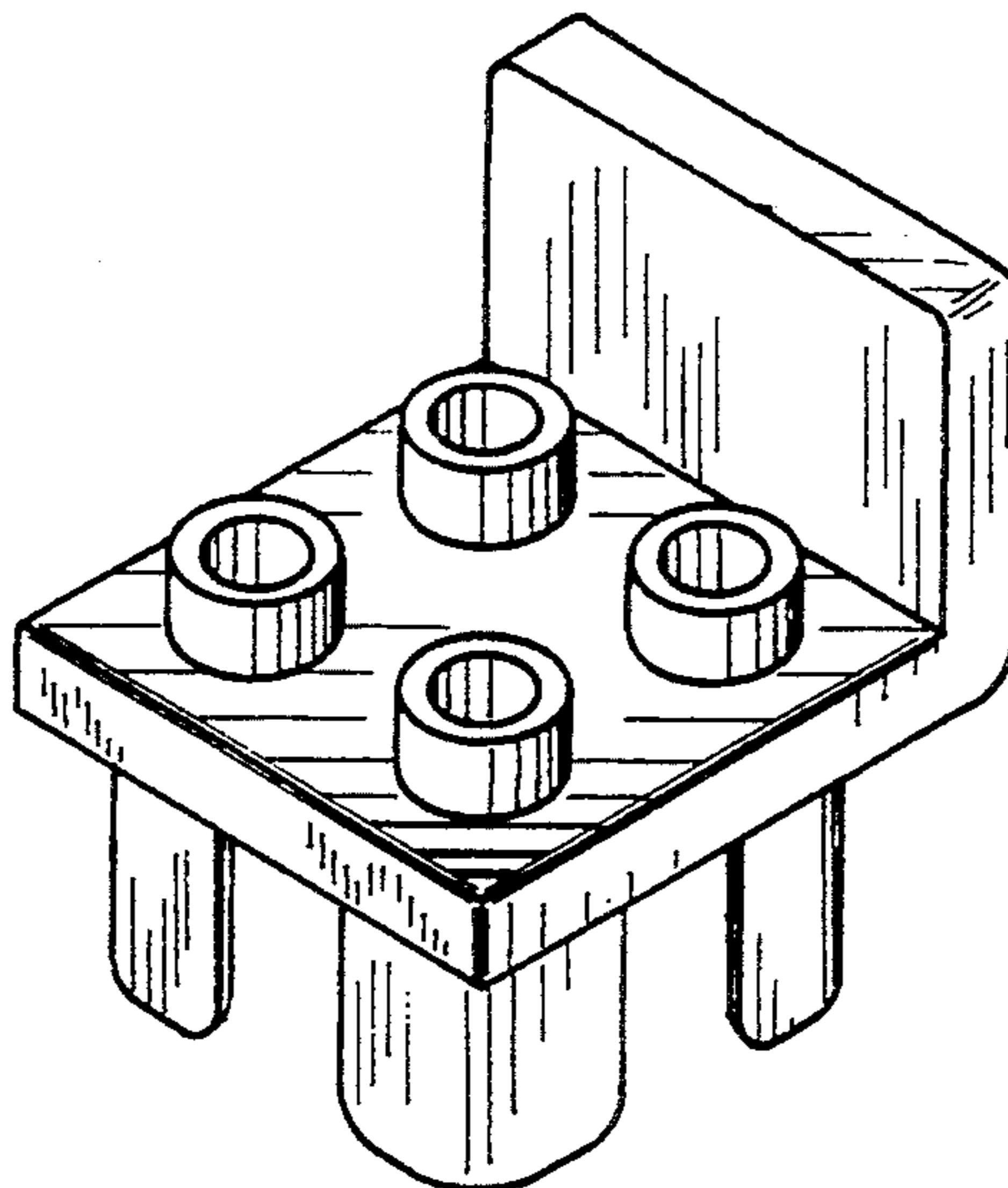
FIG. 4 is a front elevational view thereof;

FIG. 5 is a left side elevational view thereof;

FIG. 6 is a rear elevational view thereof;

FIG. 7 is a top plan view thereof; and,

FIG. 8 is a bottom plan view thereof.



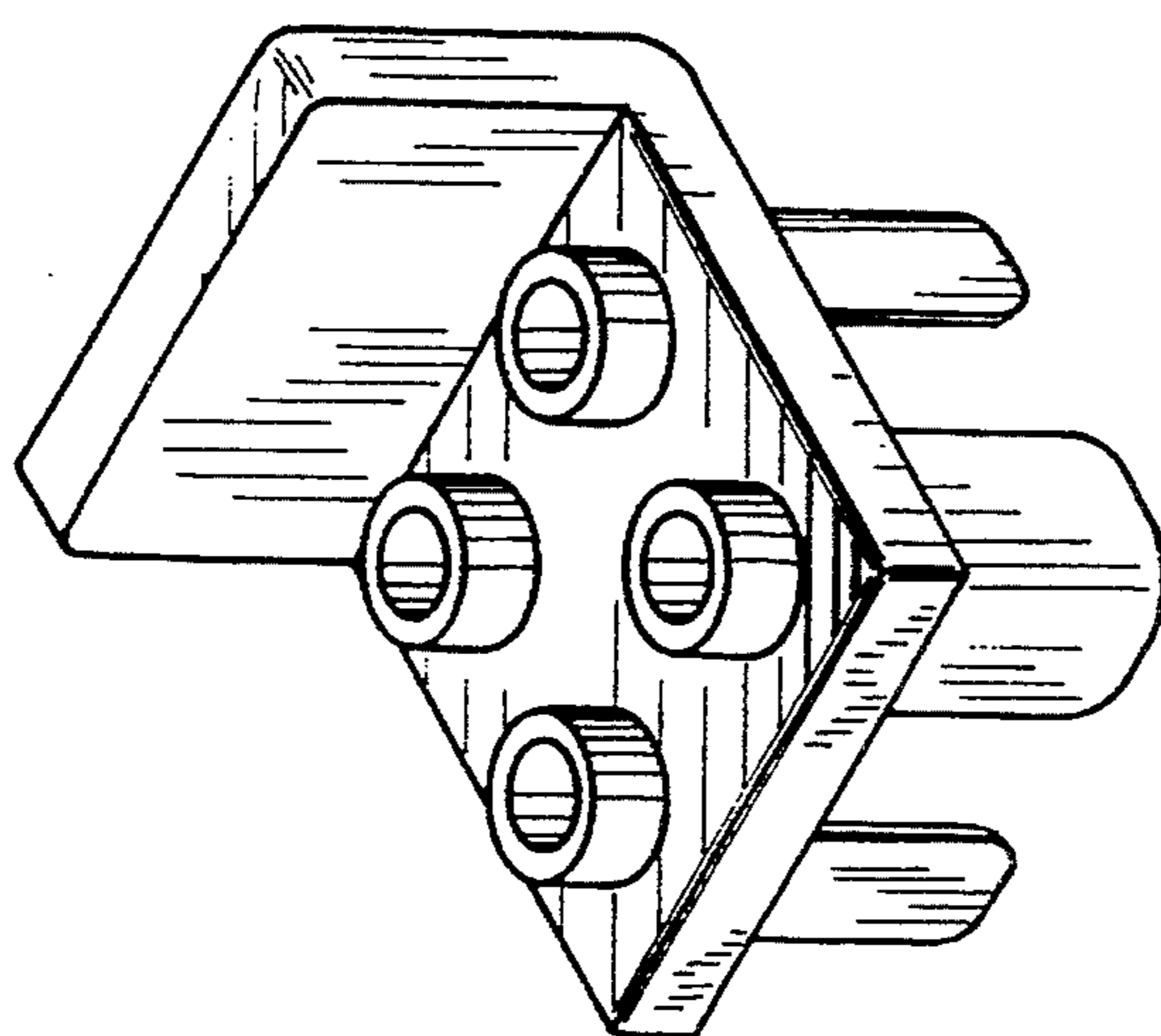


FIG. 1

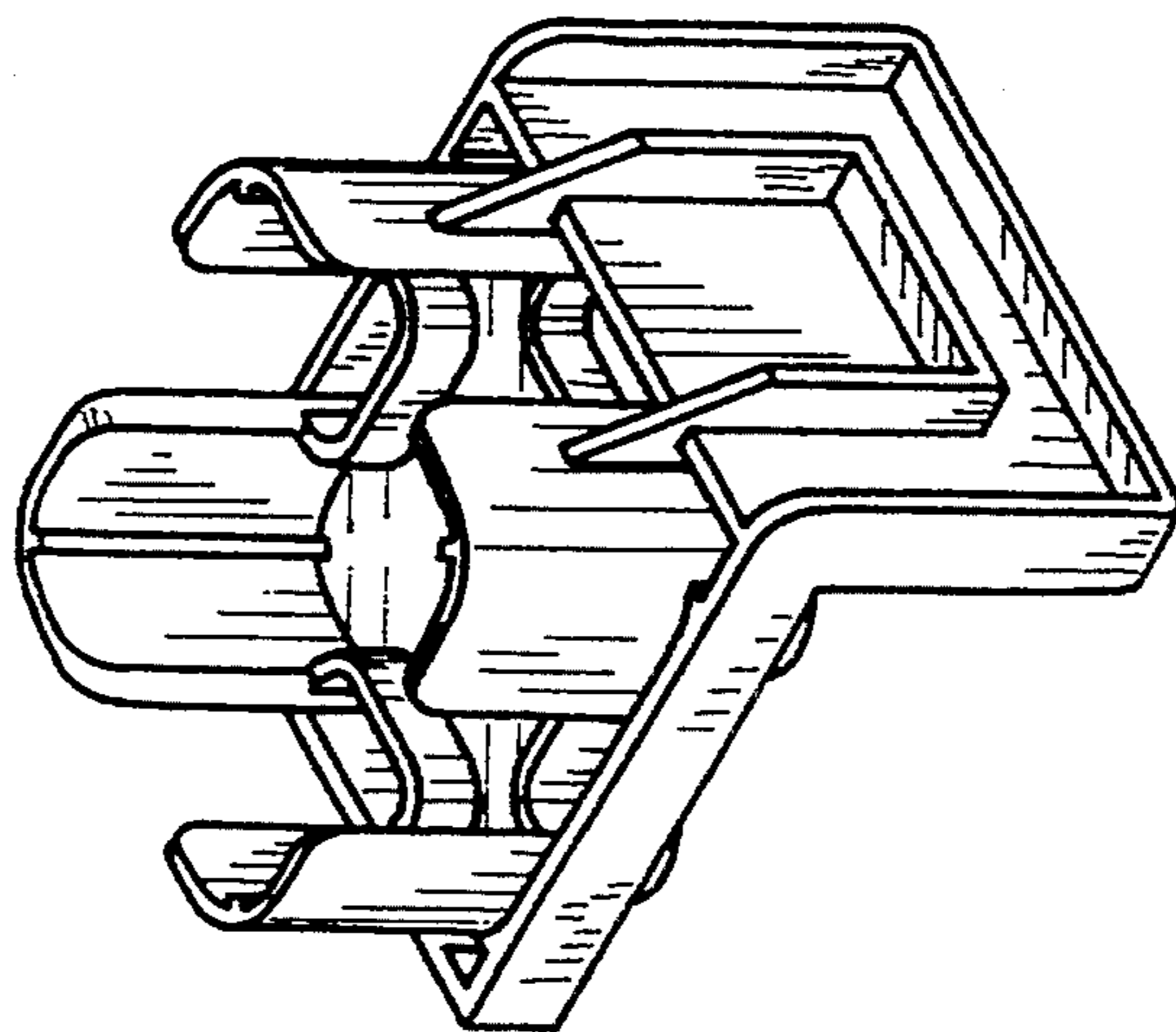


FIG. 2

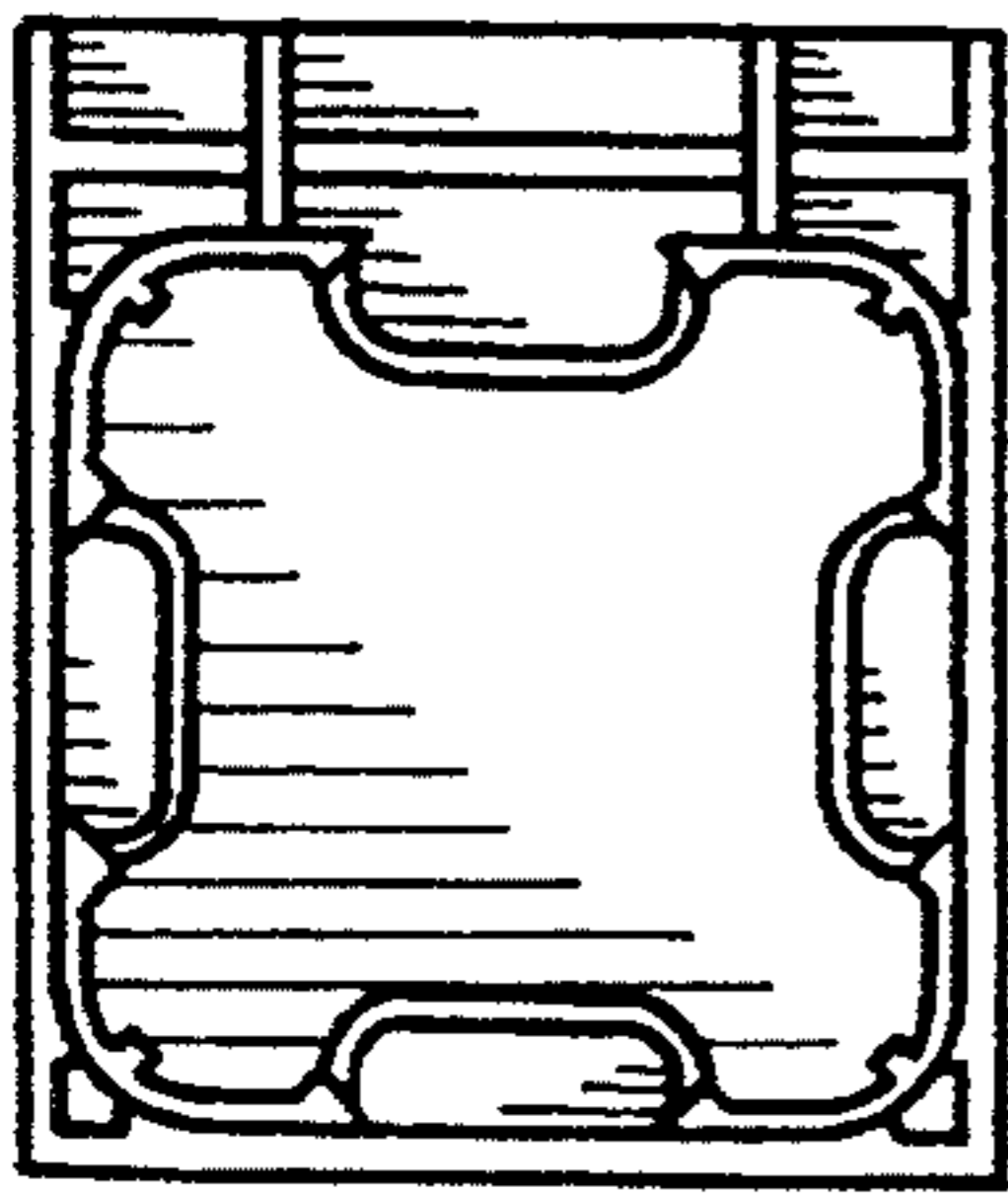


FIG. 8

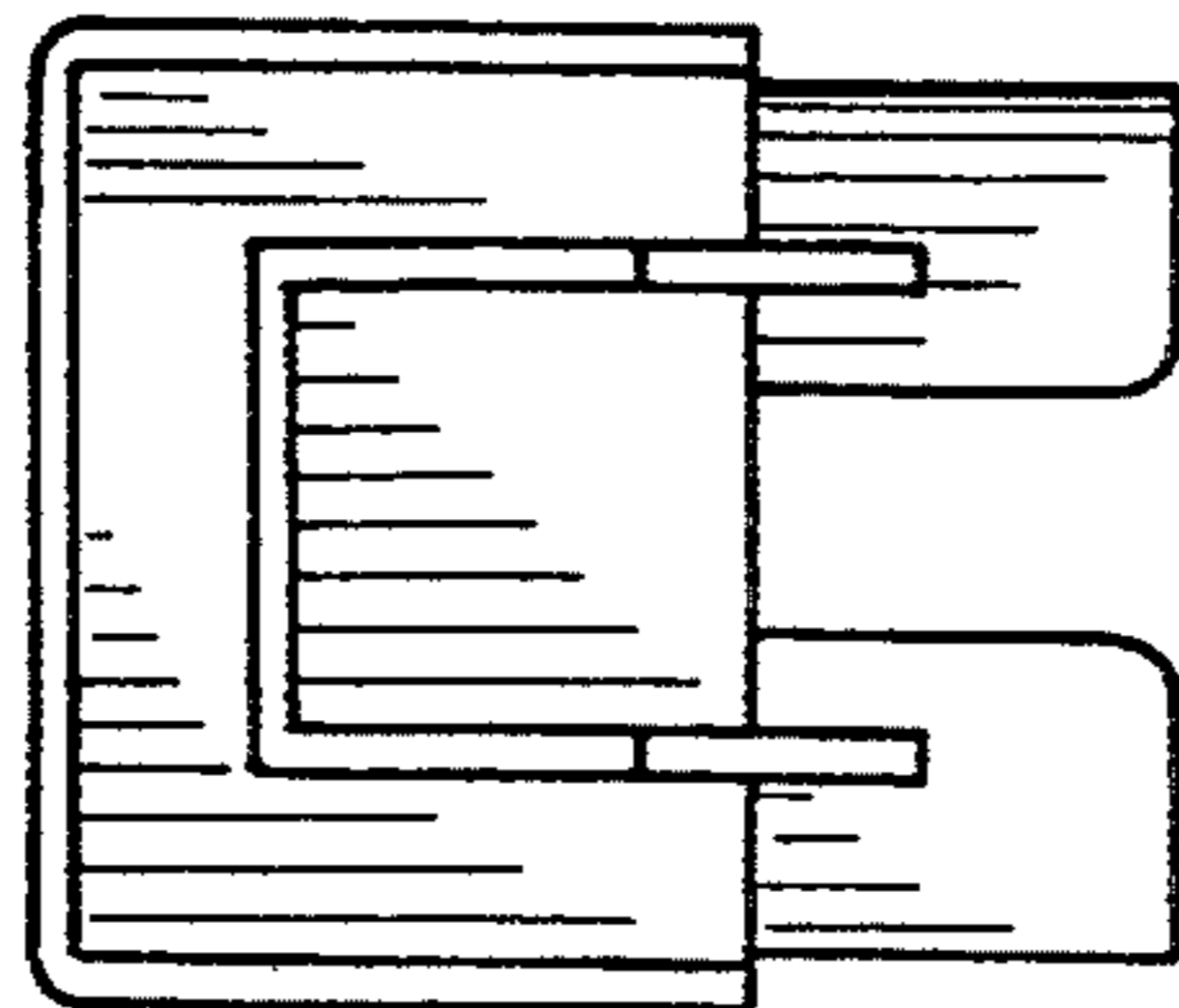


FIG. 6

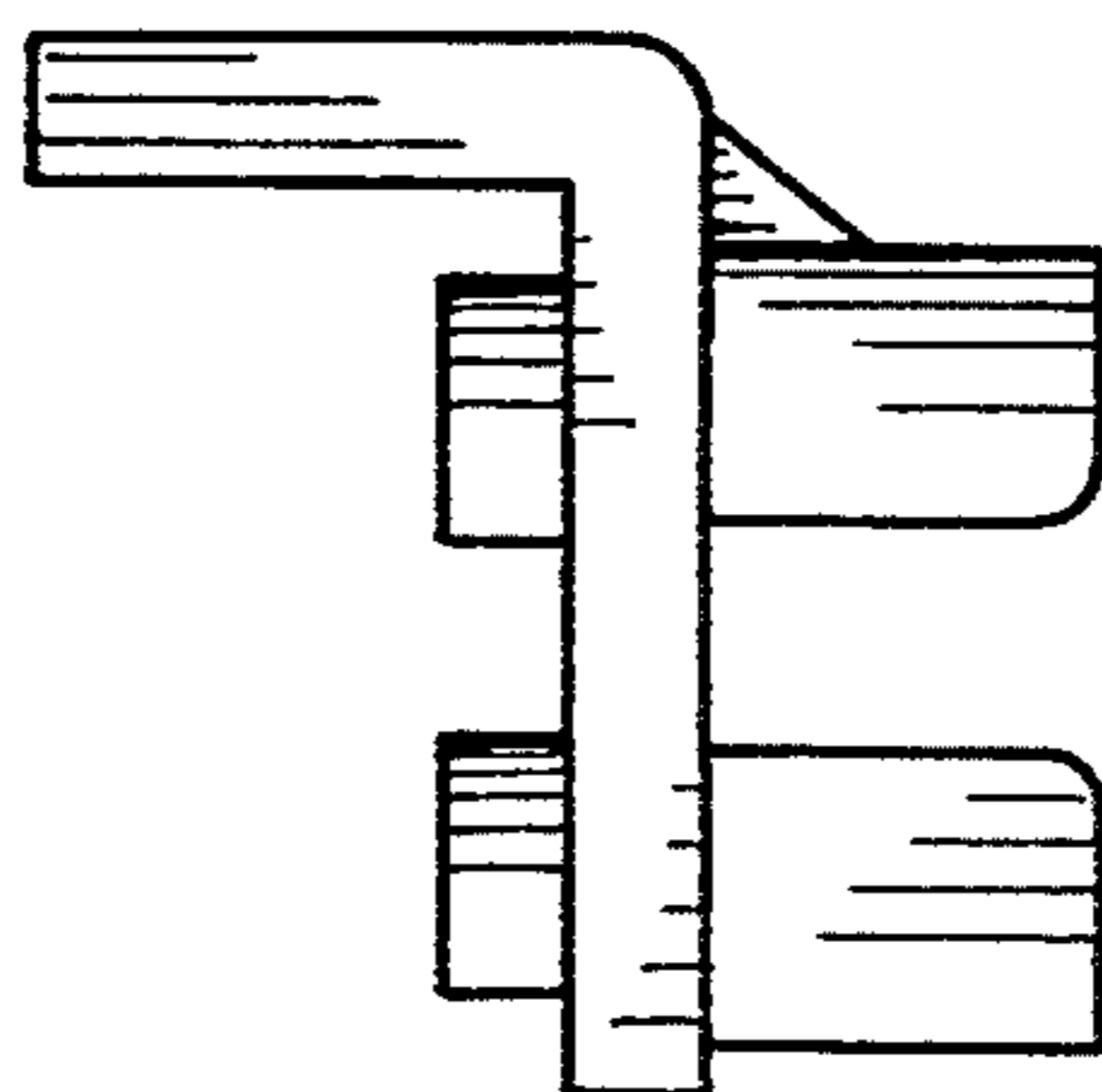


FIG. 5

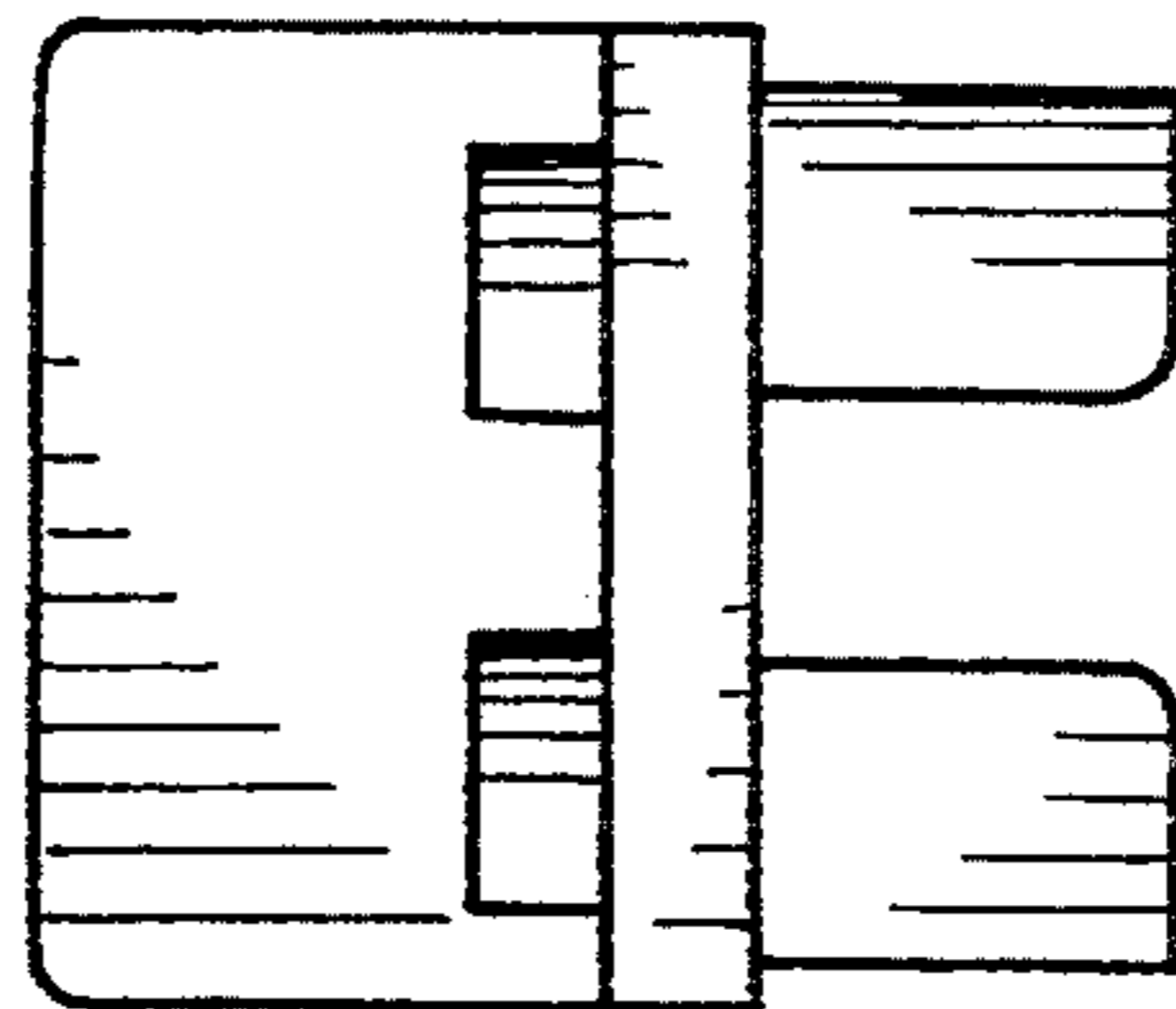


FIG. 4

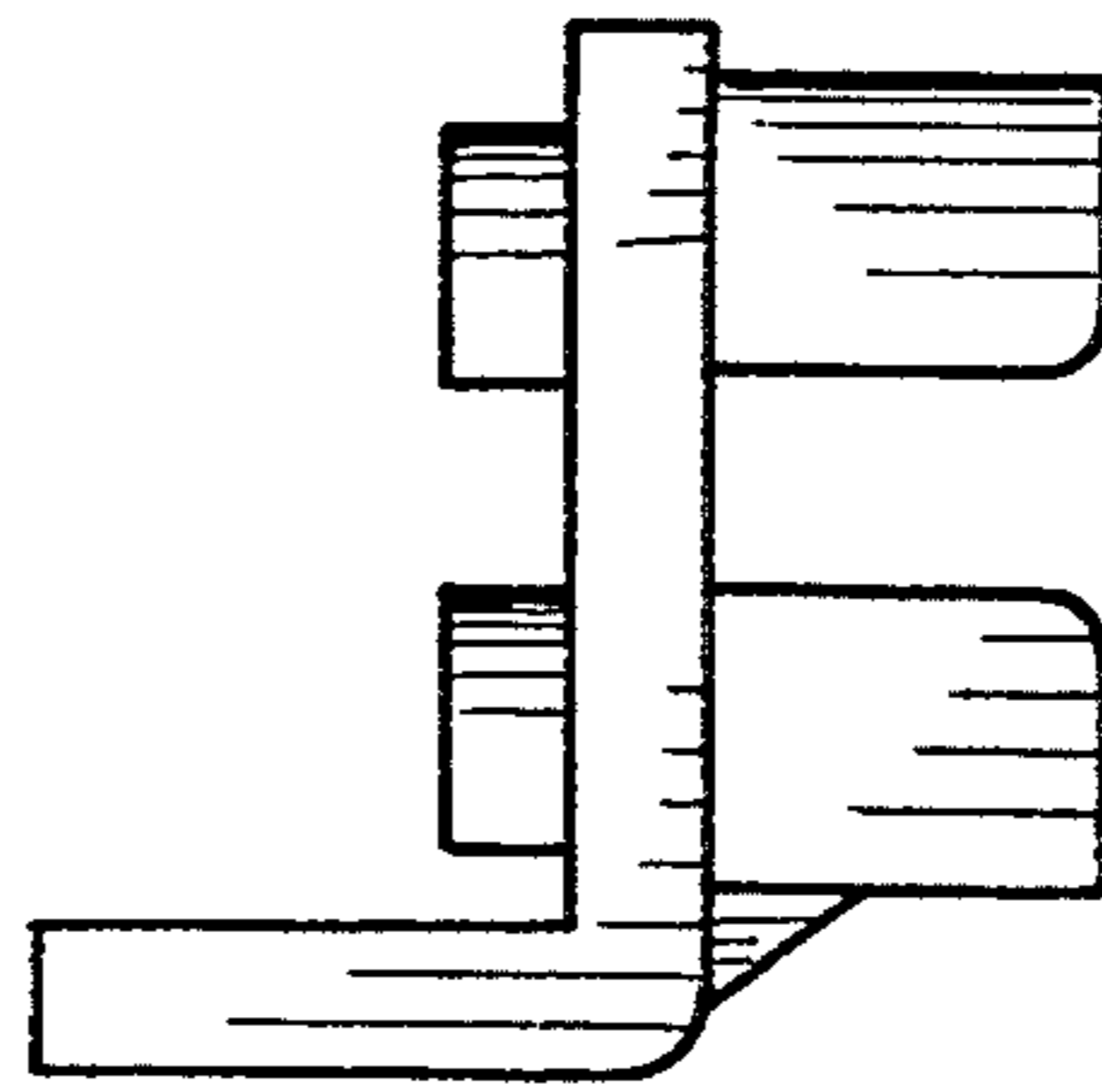


FIG. 3

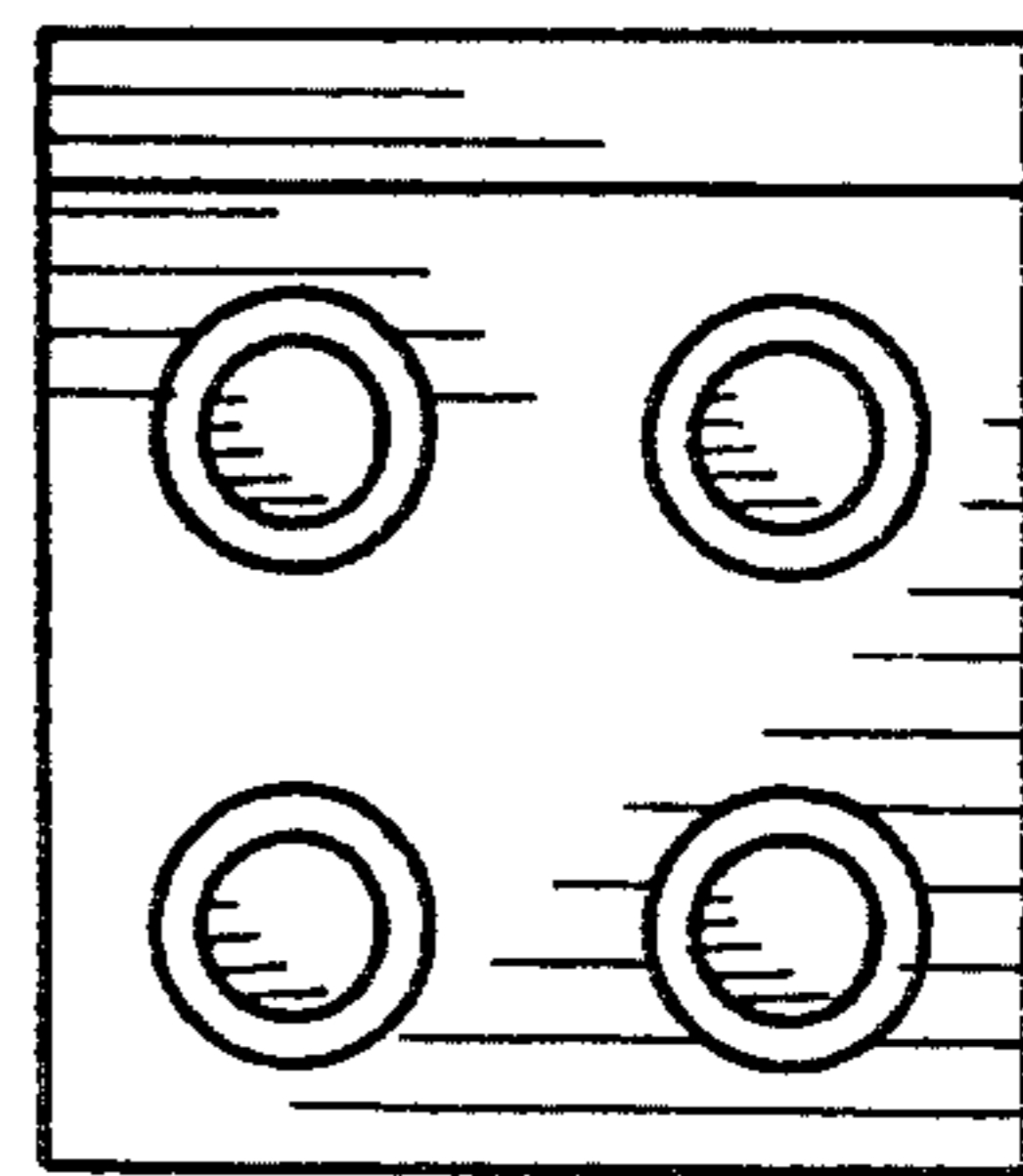


FIG. 7