



US00D357514S

United States Patent [19]

[11] Patent Number: **Des. 357,514**

Nielsen et al.

[45] Date of Patent: **** Apr. 18, 1995**

[54] CURTAIN FOR A TOY BUILDING SET

1,107,757 8/1914 Catrevas D21/114
5,046,986 9/1991 Wood 446/268

[75] Inventors: **Henrik K. Nielsen**, Copenhagen;
Lone M. Nielsen, Kokkedal, both of
Denmark

FOREIGN PATENT DOCUMENTS

1536340 7/1968 France 446/107

[73] Assignee: **Interlego AG**, Baar, Switzerland

Primary Examiner—Terry A. Wallace
Assistant Examiner—R. Barkai
Attorney, Agent, or Firm—Kane, Dalsimer, Sullivan,
Kurucz, Levy, Eisele and Richard

[**] Term: **14 Years**

[21] Appl. No.: **13,307**

[57] CLAIM

[22] Filed: **Sep. 22, 1993**

[52] U.S. Cl. **D21/121; D21/108**

[58] Field of Search D21/108, 109, 111, 114,
D21/121, 123; D6/480, 334, 381; 446/107, 111,
116, 121, 125, 128, 141, 268, 269, 296, 322, 323,
460, 479, 482, 490

The ornamental design for a curtain for a toy building set, as shown and described.

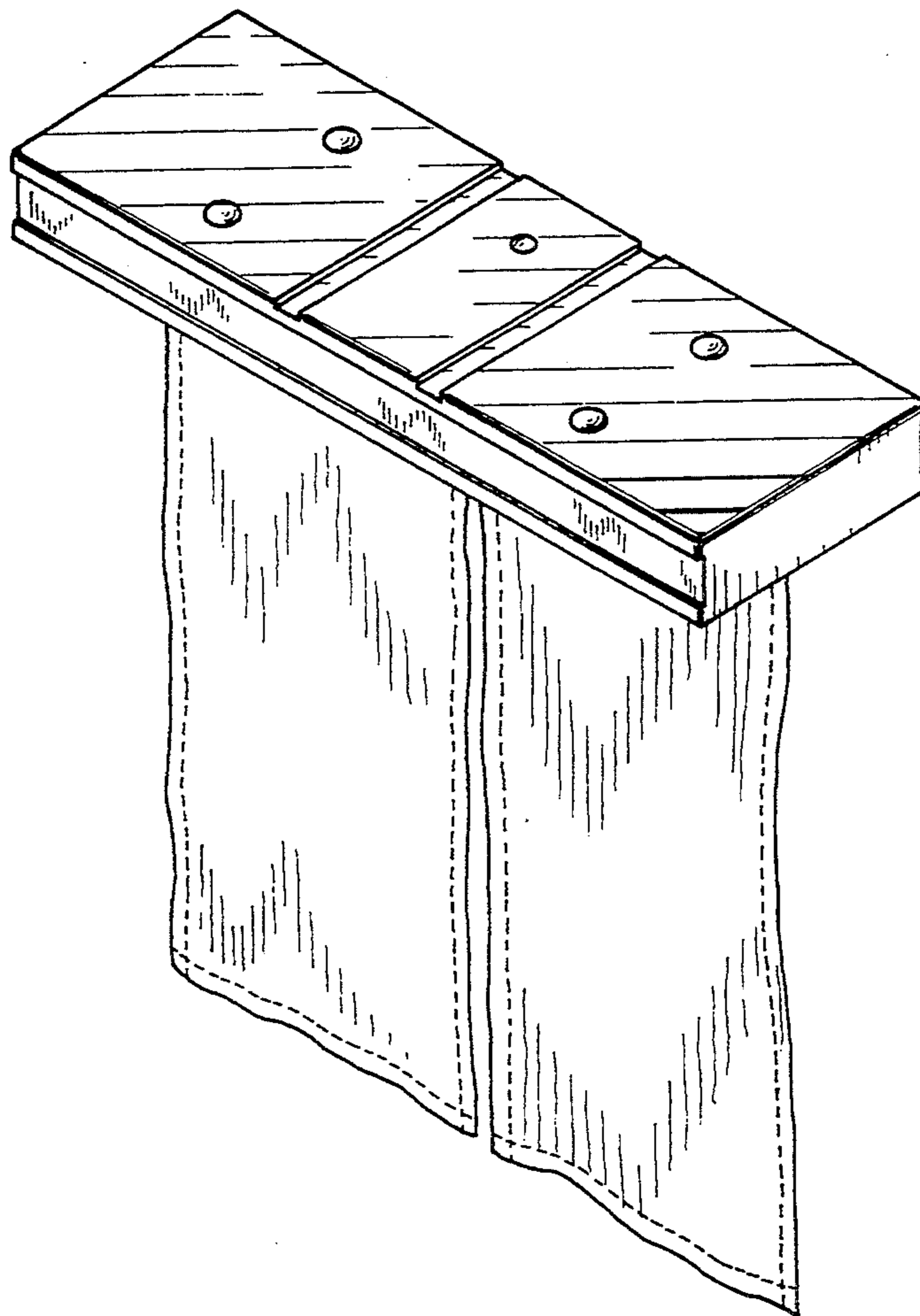
DESCRIPTION

[56] References Cited

U.S. PATENT DOCUMENTS

D. 148,554	2/1948	Marshall	D21/121
D. 247,721	4/1978	Wax	D21/121
D. 295,645	5/1988	Knudsen	D21/108
D. 295,648	5/1988	Knudsen	D21/108
D. 315,754	3/1991	Eggert	D21/108

FIG. 1 is a top perspective view of the curtain for a toy building set showing our new design; FIG. 2 is a bottom perspective view thereof; FIG. 3 is a right side elevational view thereof; FIG. 4 is a front elevational view thereof; FIG. 5 is a left side elevational view thereof; FIG. 6 is a rear elevational view thereof; FIG. 7 is a top plan view thereof; and, FIG. 8 is a bottom plan view thereof.



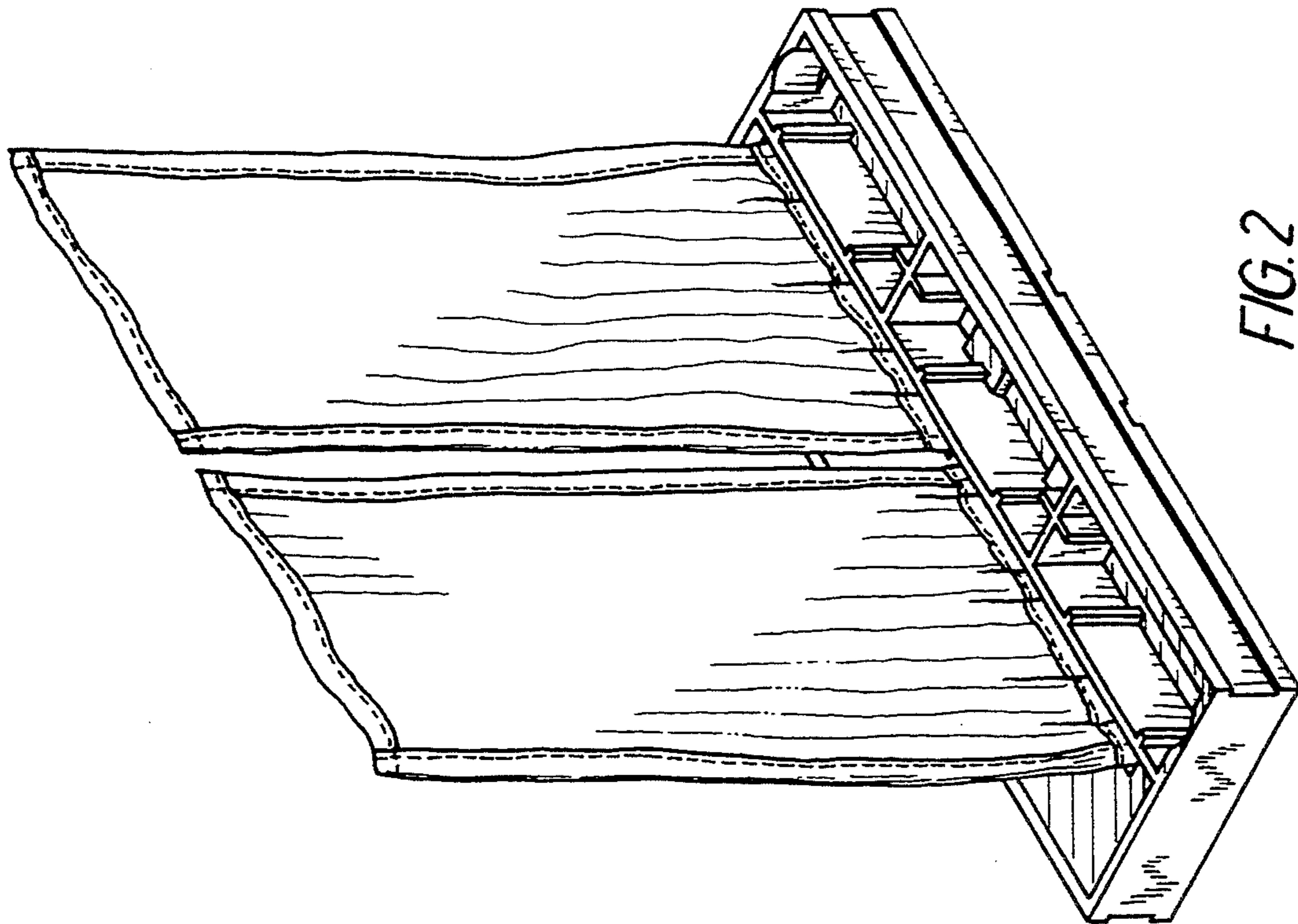


FIG. 2

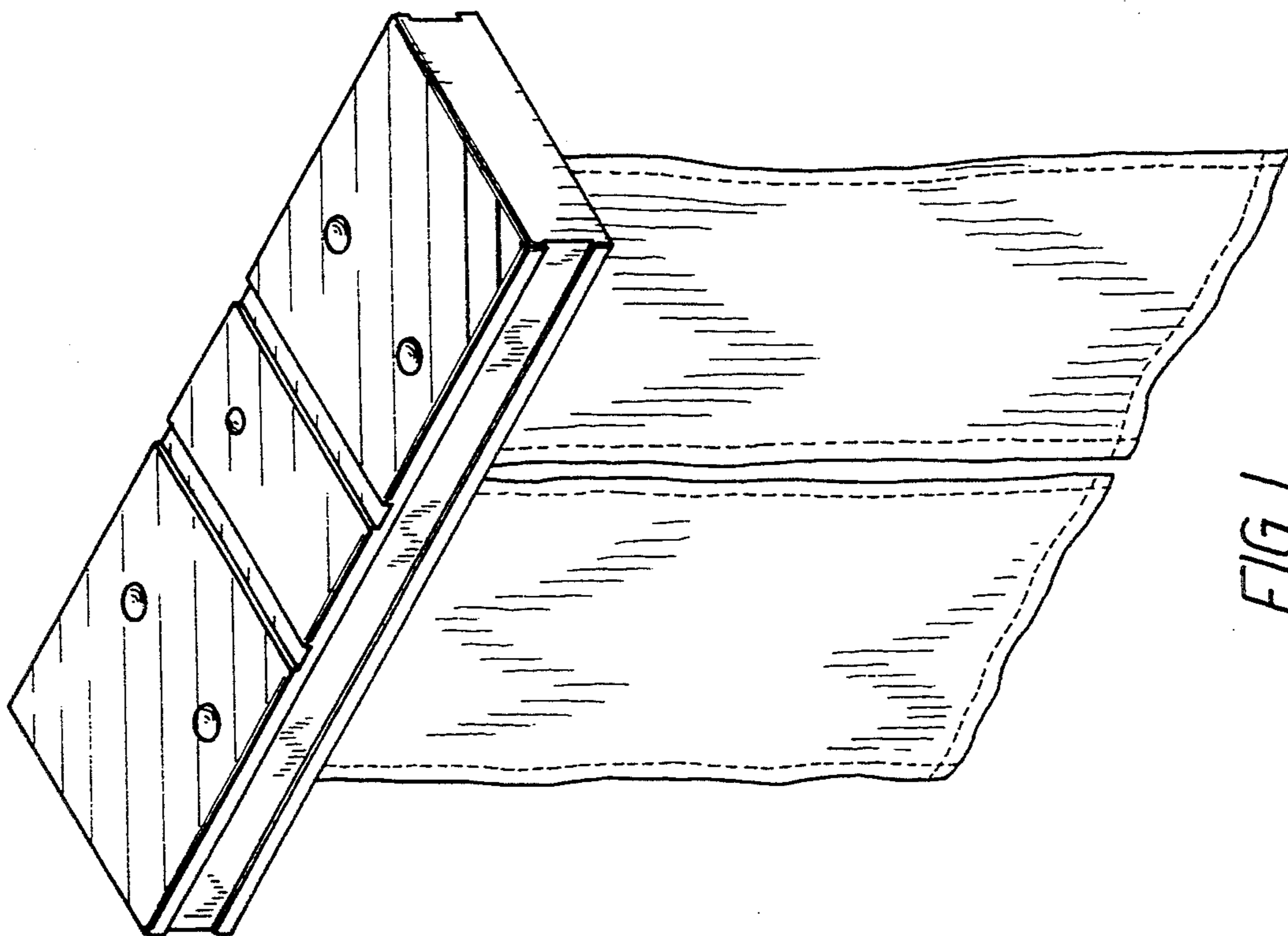


FIG. 1

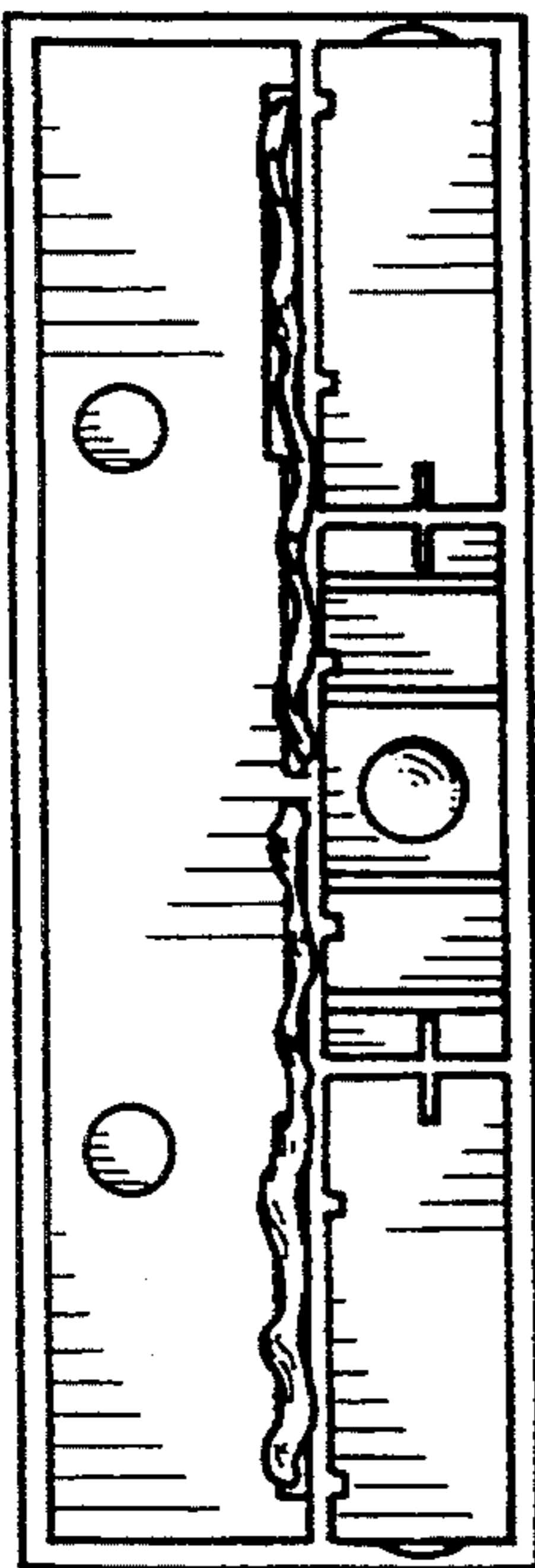


FIG. 8

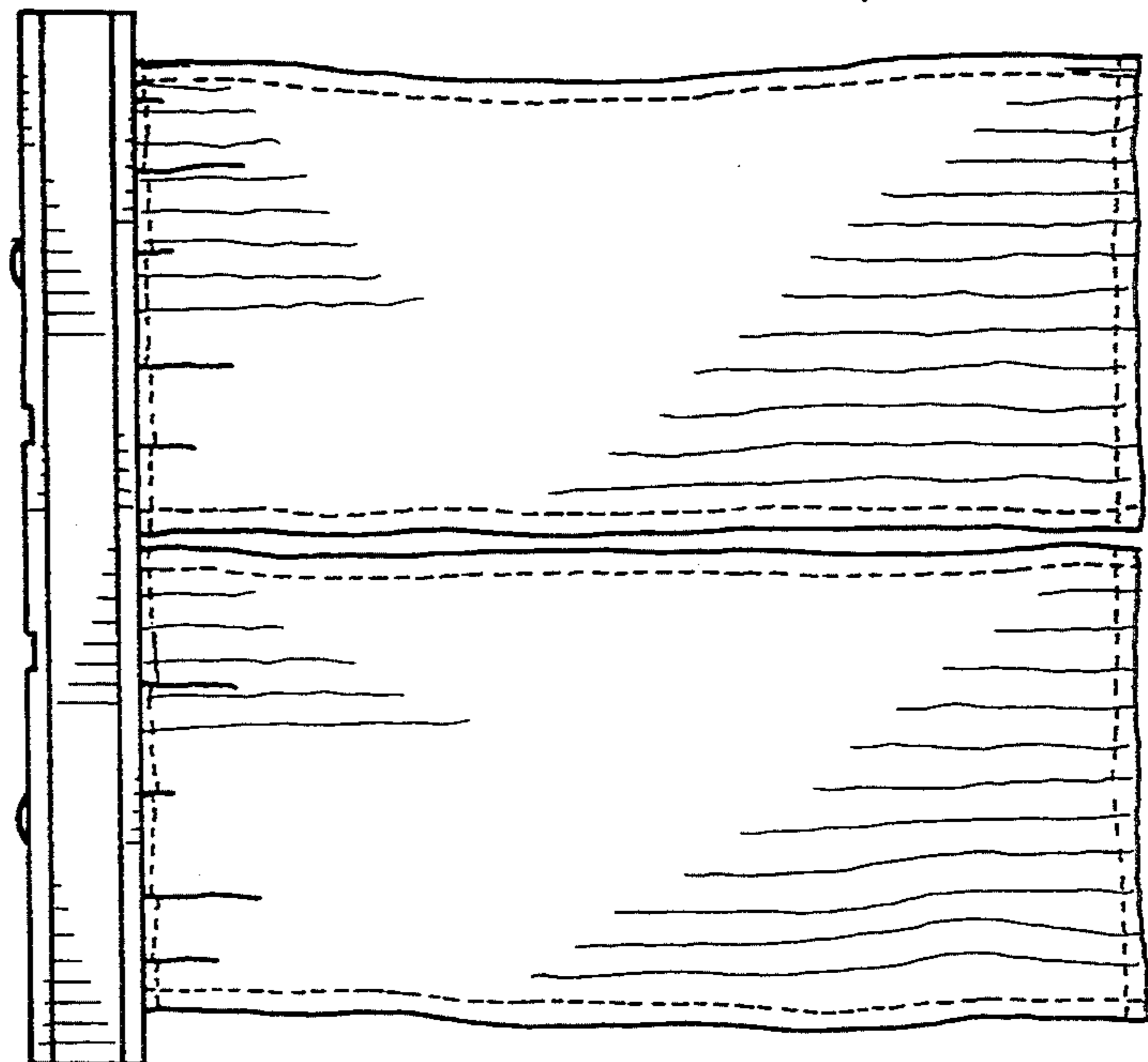


FIG. 4



FIG. 3

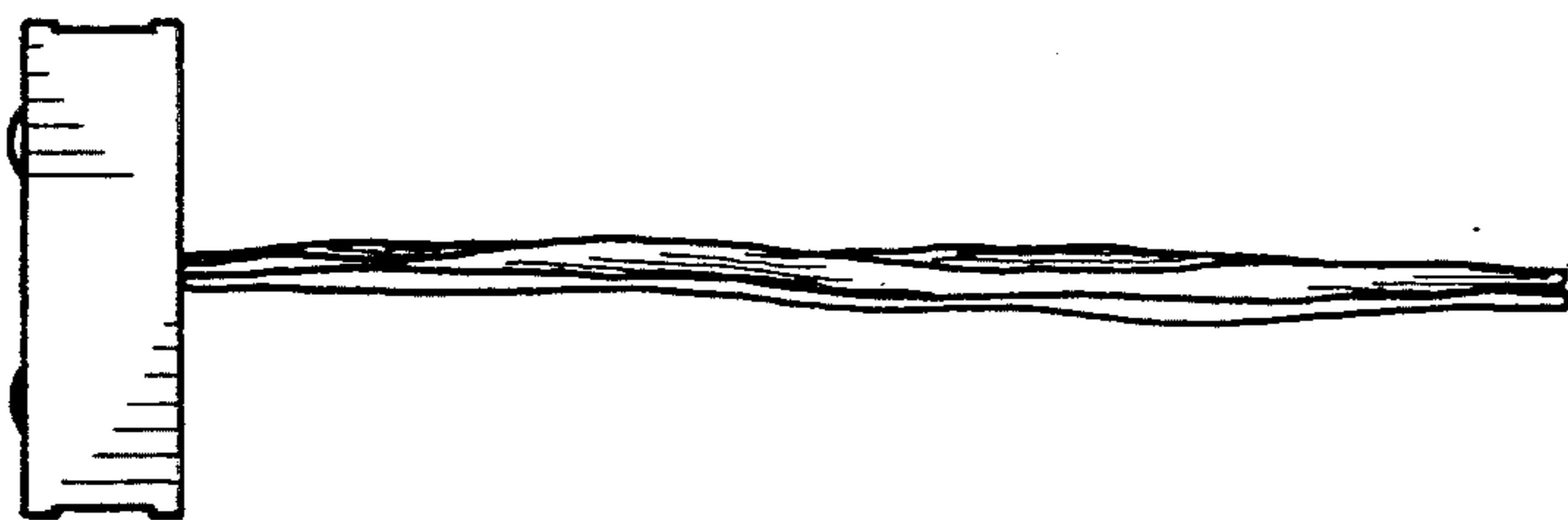


FIG. 5

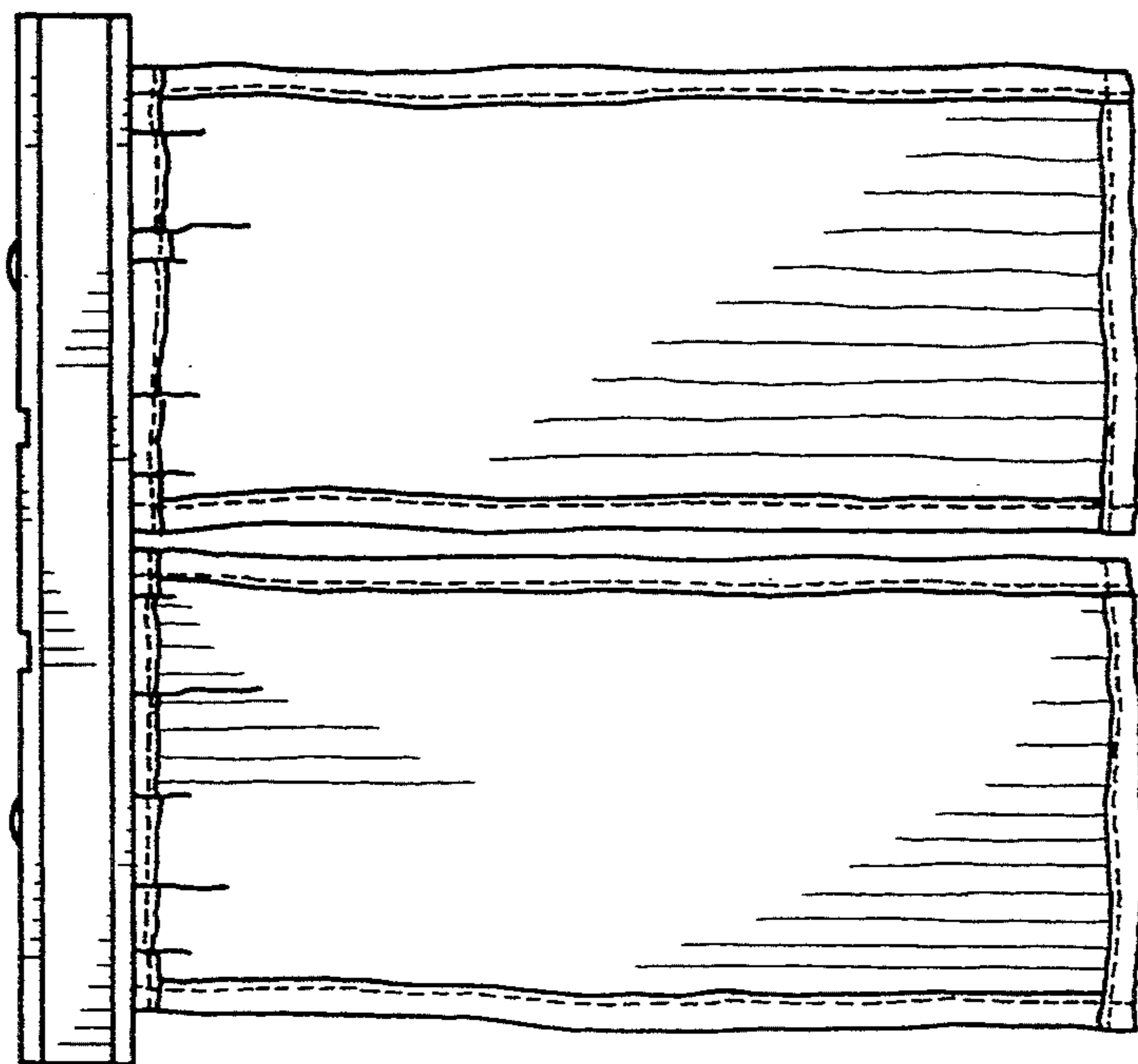


FIG. 6

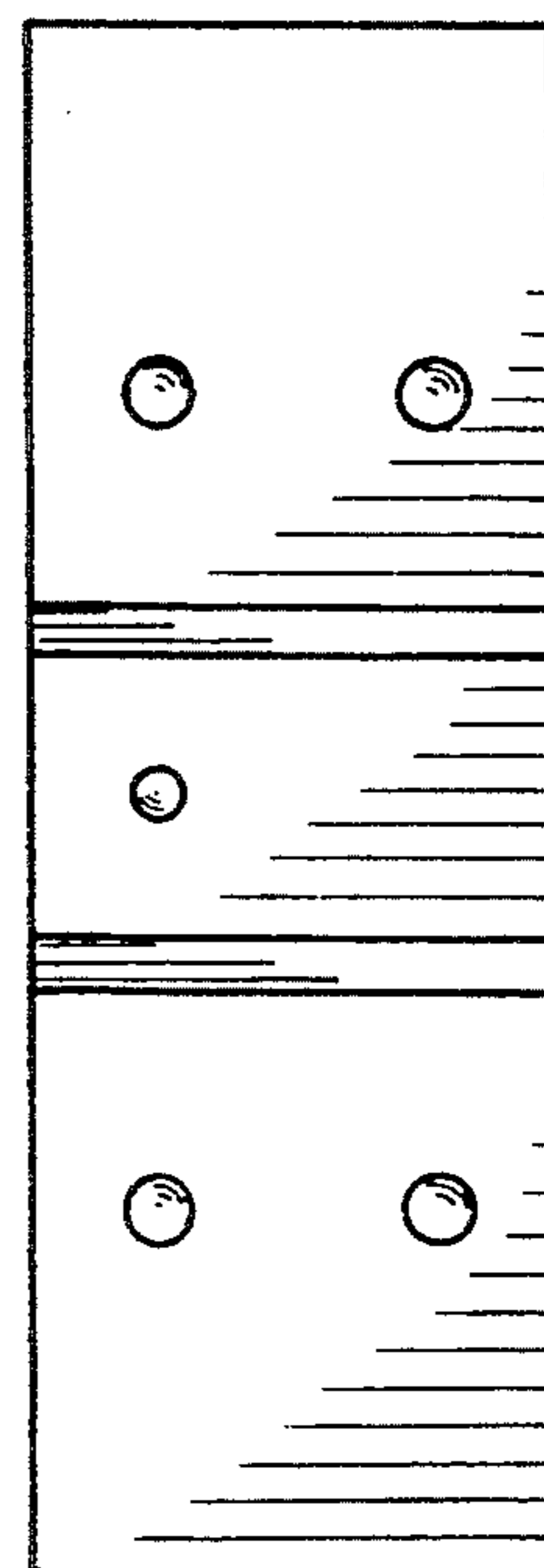


FIG. 7