



US00D357512S

# United States Patent [19]

[11] Patent Number: **Des. 357,512**

Ishikawa

[45] Date of Patent: **\*\* Apr. 18, 1995**

[54] **ELEMENT FOR A TOY BUILDING SET**

[75] Inventor: **Takeshi Ishikawa**, Saitama, Japan

[73] Assignee: **Interlego AG**, Baar, Switzerland

[\*\*] Term: **14 Years**

[21] Appl. No.: **21,563**

[22] Filed: **Apr. 20, 1994**

[52] U.S. Cl. .... **D21/108**

[58] Field of Search ..... **D21/108; 446/107, 115, 446/116, 118, 126, 128**

[56] **References Cited**

**U.S. PATENT DOCUMENTS**

D. 219,230	11/1970	Reijnhard	.....	D21/108
D. 325,942	5/1992	Hoyer	.....	D21/108
D. 336,120	6/1993	Knudsen	.....	D21/108
3,162,973	12/1964	Christiansen	.....	D21/108
4,964,833	10/1990	Suzuki	.....	446/118

**OTHER PUBLICATIONS**

Lego Catalog #1 center of page.

*Primary Examiner*—Bernard Ansher

*Assistant Examiner*—R. Barkai

*Attorney, Agent, or Firm*—Kane, Dalsimer, Sullivan, Kurucz, Levy, Eisele and Richard

[57] **CLAIM**

The ornamental design for an element for a toy building set, as shown and described.

**DESCRIPTION**

FIG. 1 is a top perspective view of the element for a toy building set showing my new design;

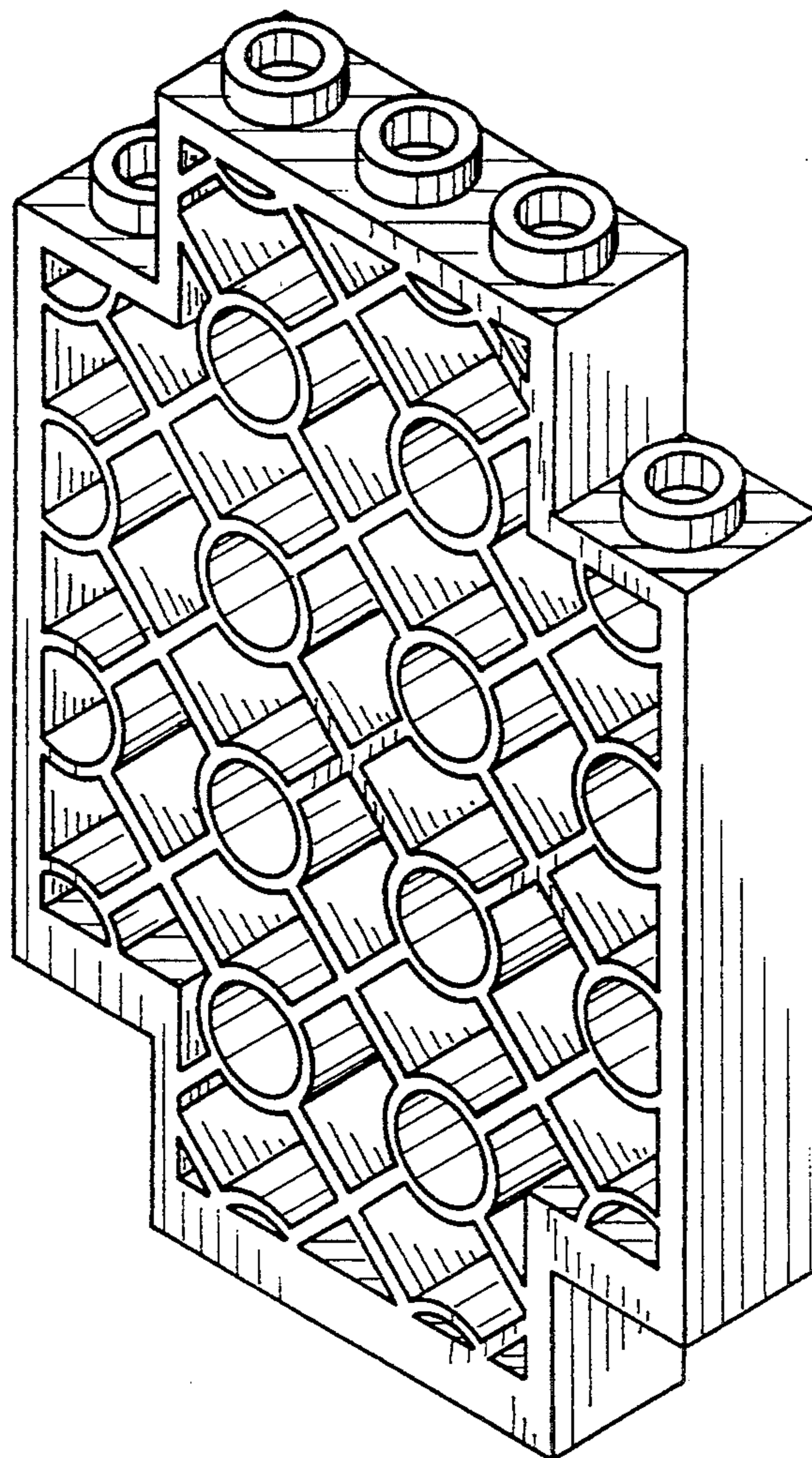
FIG. 2 is a bottom perspective view thereof;

FIG. 3 is a front elevational view thereof, the rear side being identical;

FIG. 4 is a right side elevational view thereof, the left side being identical;

FIG. 5 is a top plan view thereof; and,

FIG. 6 is a bottom plan view thereof.



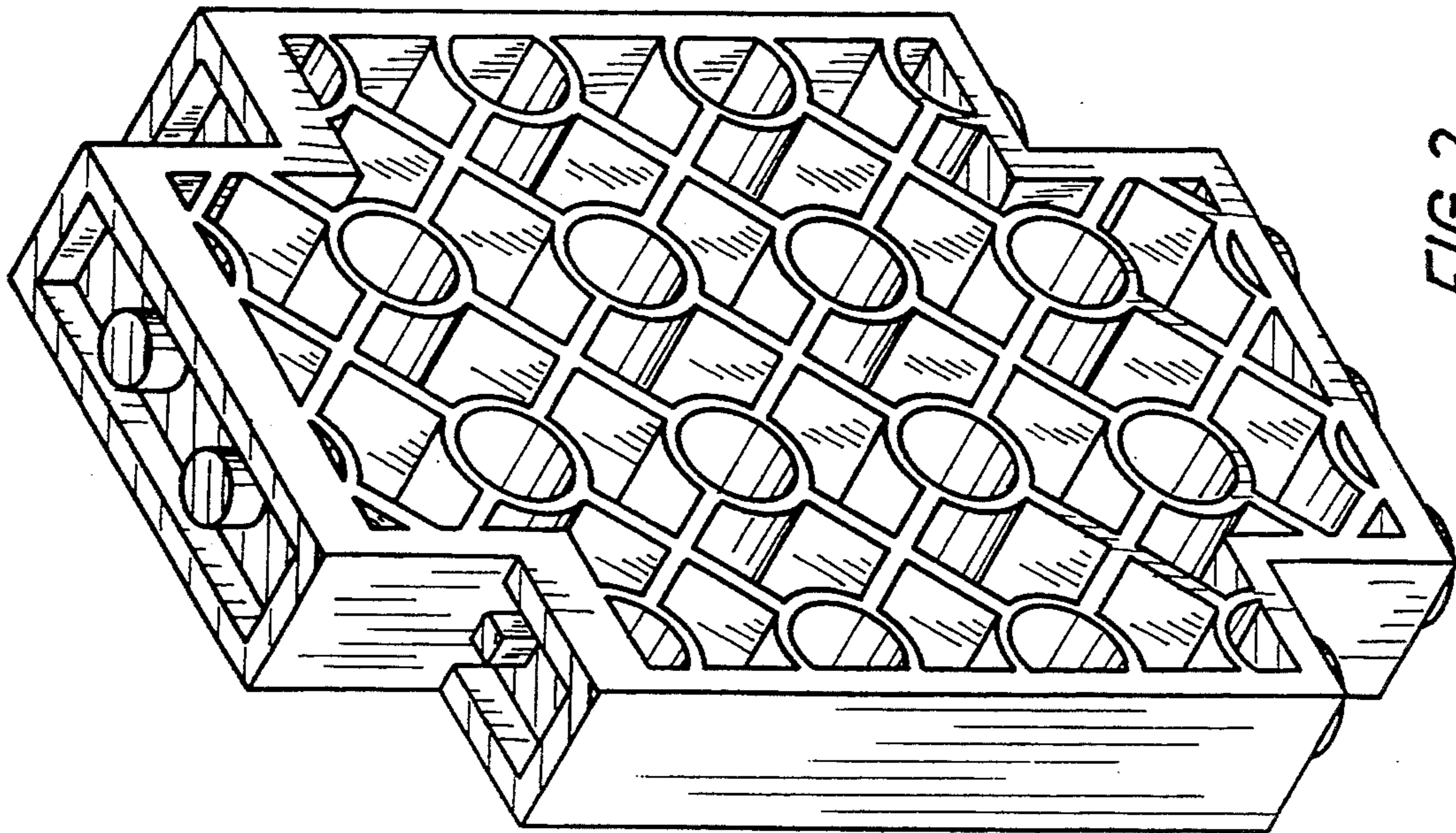


FIG. 2

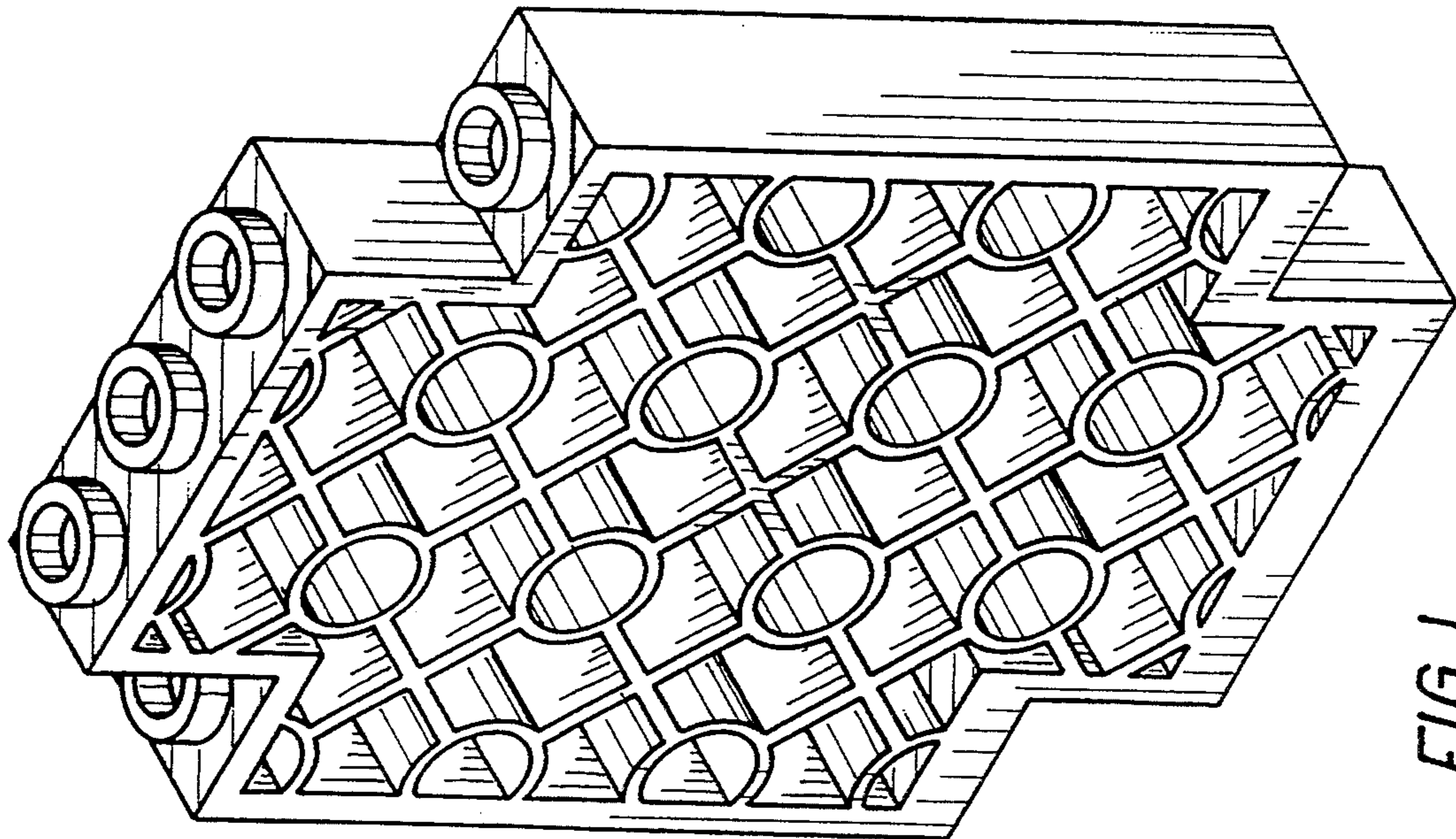


FIG. 1

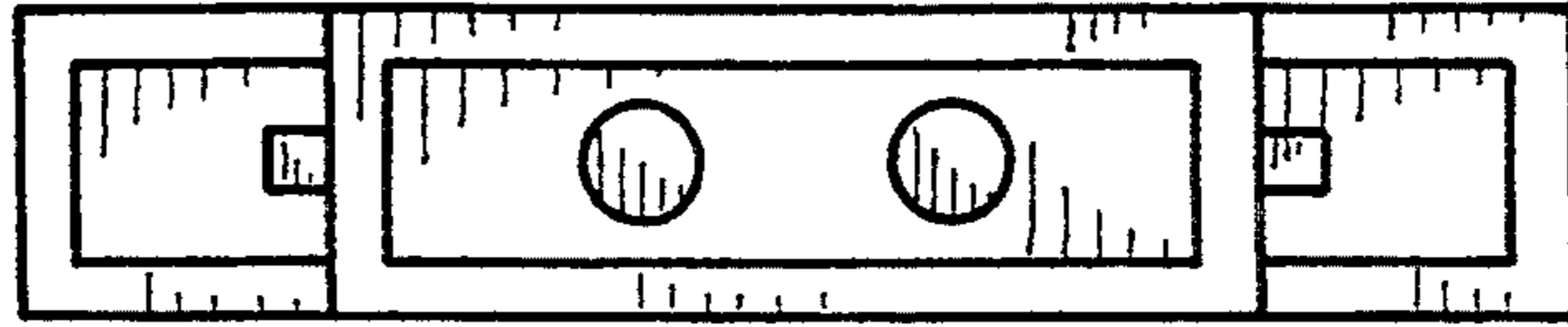


FIG. 6

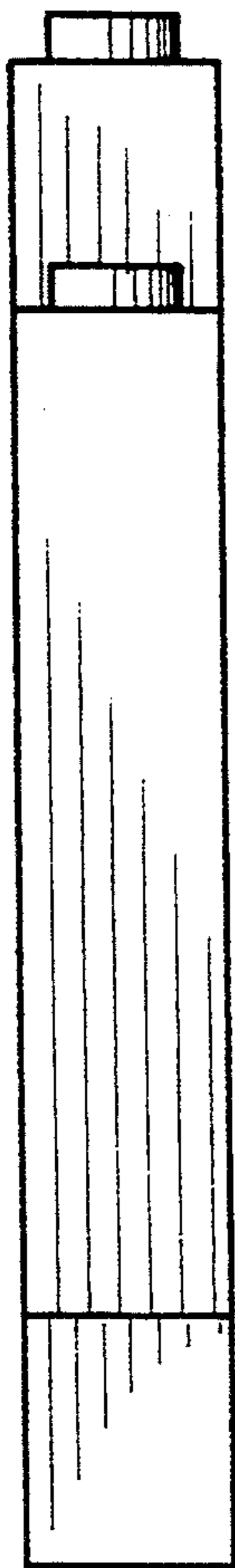


FIG. 4

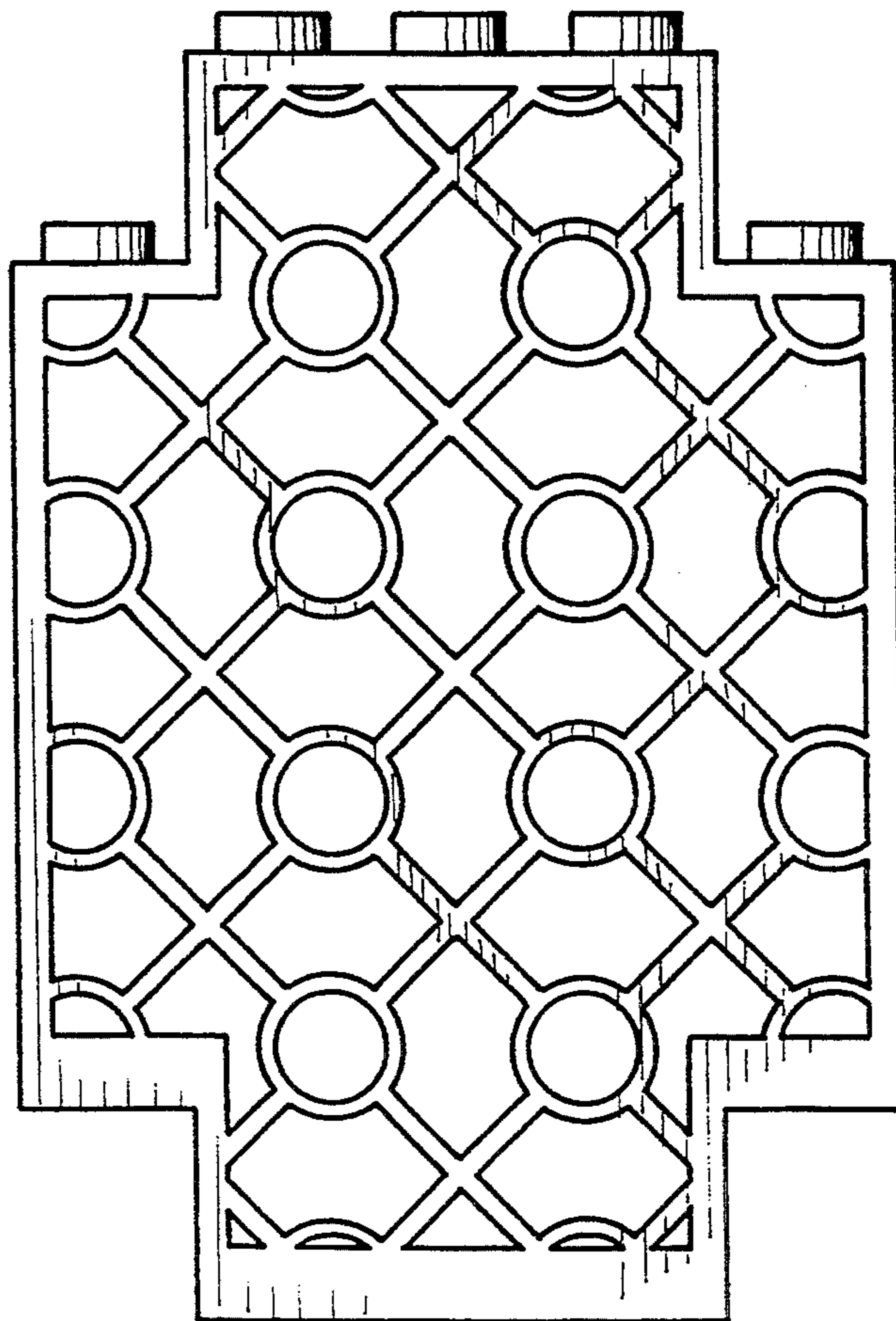


FIG. 3

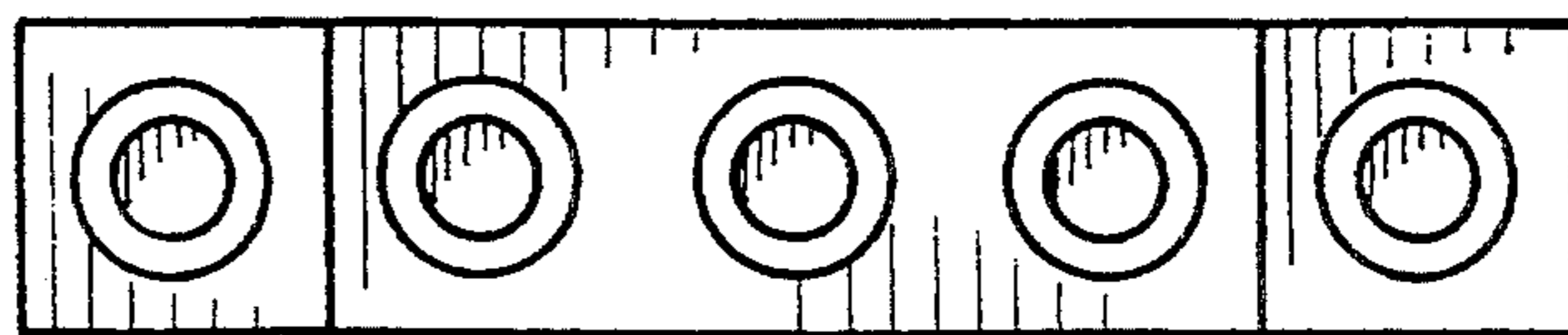


FIG. 5