



US00D357510S

United States Patent [19]

[11] Patent Number: **Des. 357,510**

Kushner et al.

[45] Date of Patent: **** Apr. 18, 1995**

[54] **THREE-DIMENSIONAL ORNAMENT FOR TOYS**

[75] Inventors: **Philip M. Kushner**, Greve Strand; **Kenn Rasmussen**, Valby; **Niels Ohrwald**, Espergaerde, all of Denmark

[73] Assignee: **Interlego AG**, Baar, Switzerland

[**] Term: **14 Years**

[21] Appl. No.: **13,264**

[22] Filed: **Sep. 22, 1993**

[52] U.S. Cl. **D21/108; D21/59**

[58] Field of Search **D21/108-109, D21/141; D19/59; 446/108, 110, 115-116, 120, 122, 124-125, 128, 478; 434/172**

[56] **References Cited**

U.S. PATENT DOCUMENTS

D. 281,794	12/1985	Short	D21/108
D. 297,303	8/1988	Finklestein	D21/108
D. 304,218	10/1989	Klitsner	D21/108
D. 330,052	10/1992	Klitsner	D21/108
2,406,759	9/1946	Glukes	D21/108
3,471,962	10/1969	Klein	446/116
4,744,780	5/1988	Volpe	446/128

OTHER PUBLICATIONS

Small World Toys, 1984 p. 16 #E32.
Fisher Price Catalog 1992 p. 8 #1043.

Constructive Playthings Fall-Winter 1987-1988 p. 13 top of page.

Primary Examiner—B. J. Bullock
Assistant Examiner—R. Barkai
Attorney, Agent, or Firm—Kane, Dalsimer, Sullivan, Kurucz, Levy, Eisele and Richard

[57] **CLAIM**

The ornamental design for a three-dimensional ornament for toys, as shown and described.

DESCRIPTION

FIG. 1 is a top perspective view of the three-dimensional ornament for toys showing our new design, the bottom being the same as the top;

FIG. 2 is a top perspective view in an alternative position;

FIG. 3 is a top plan view;

FIG. 4 is a side view, all four sides being identical;

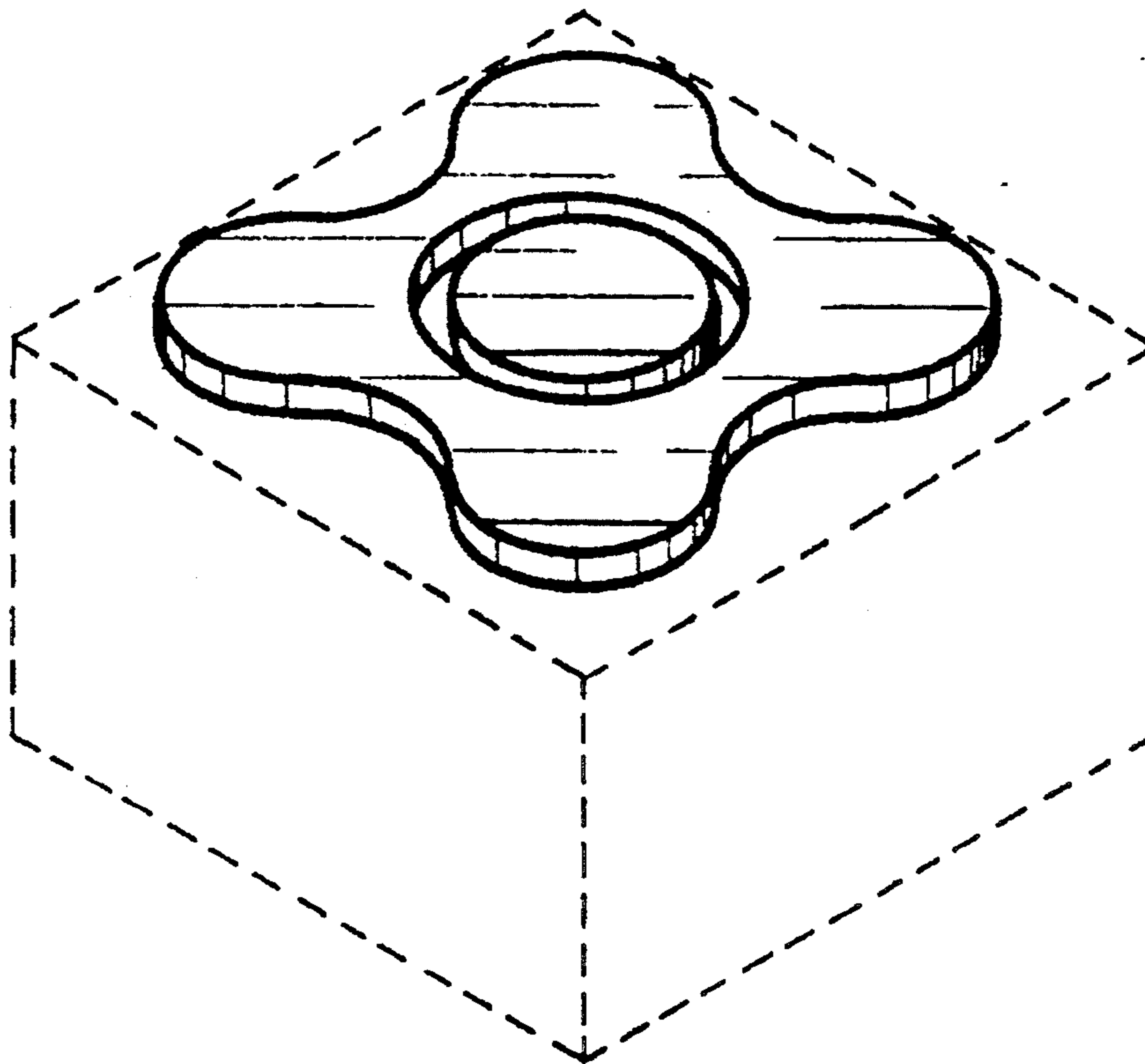
FIG. 5 is a top perspective view of the ornament applied to a toy building brick shown in dotted lines;

FIG. 6 is another top perspective view of the ornament applied to a toy building brick shown in dotted lines;

FIG. 7 is a top plan view of the ornament of FIGS. 5, and 6; and,

FIG. 8 is a side view thereof, all four sides being identical.

The broken line showing or partial showing of a toy block in FIGS. 4-8 is for illustrative purposes only and forms no part of the claimed design.



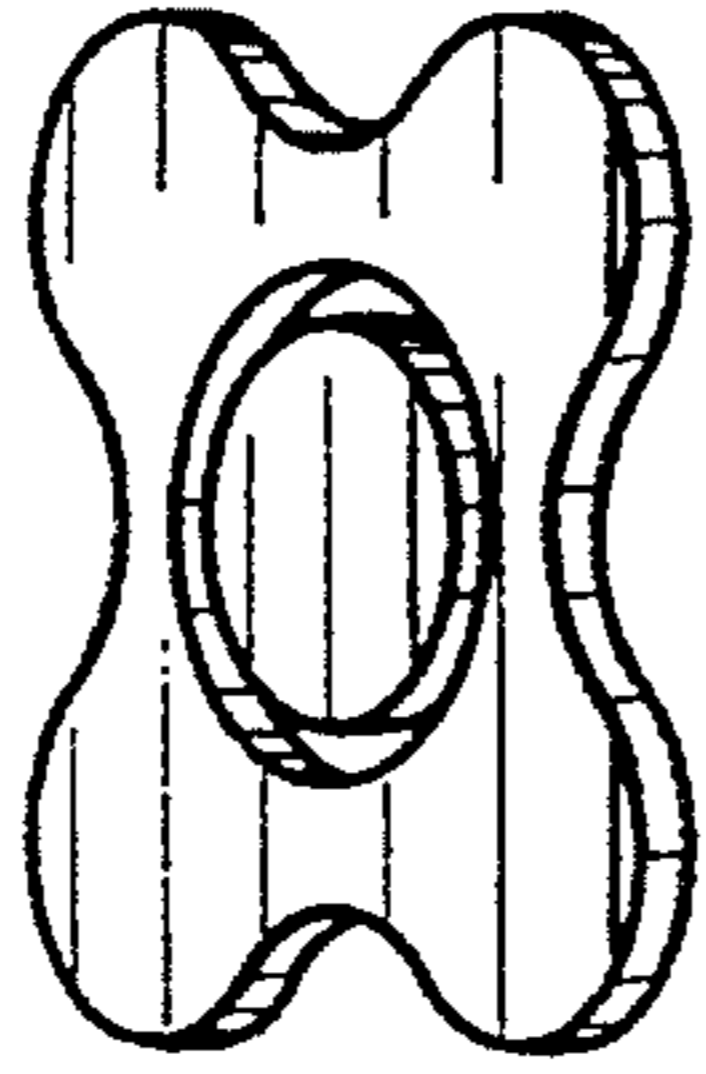


FIG. 2

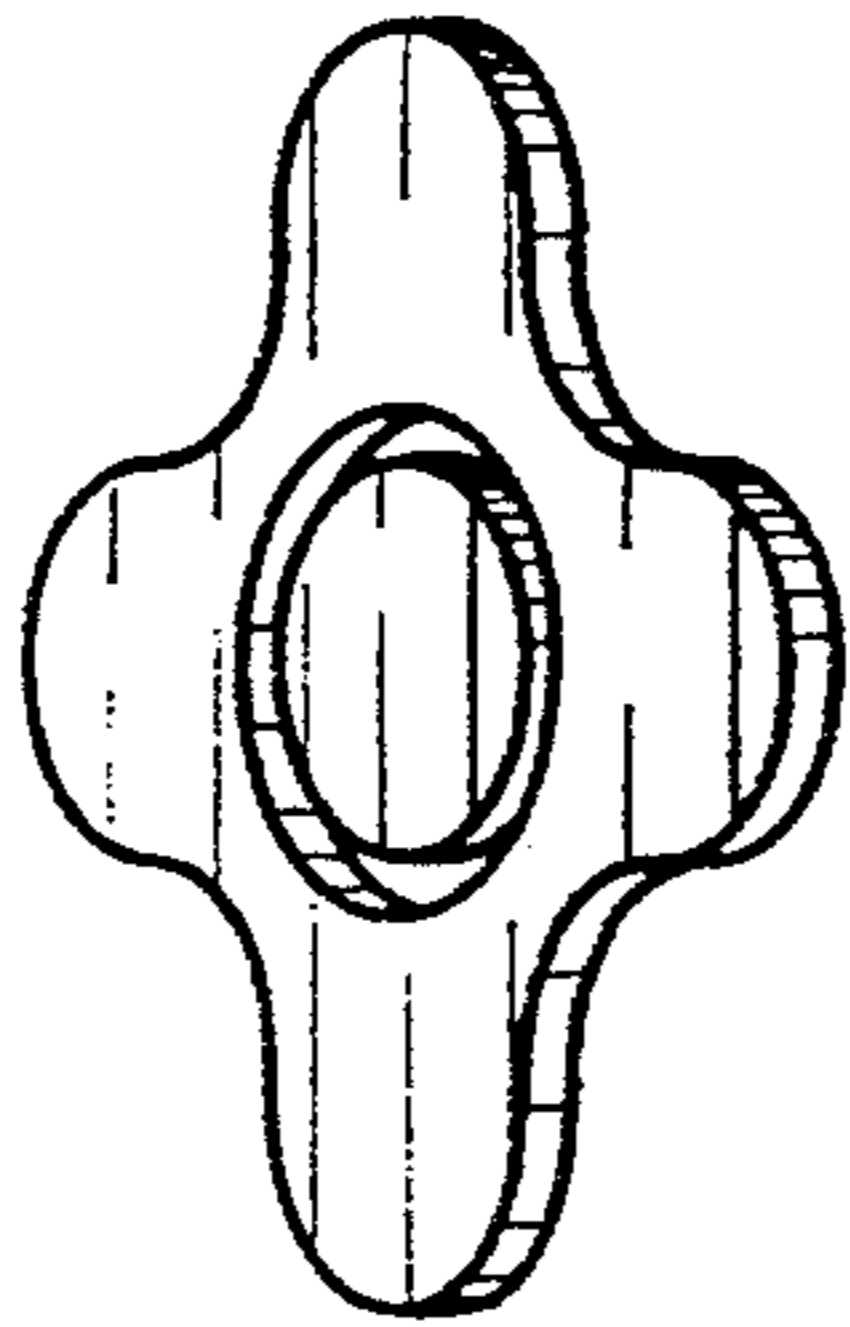


FIG. 1

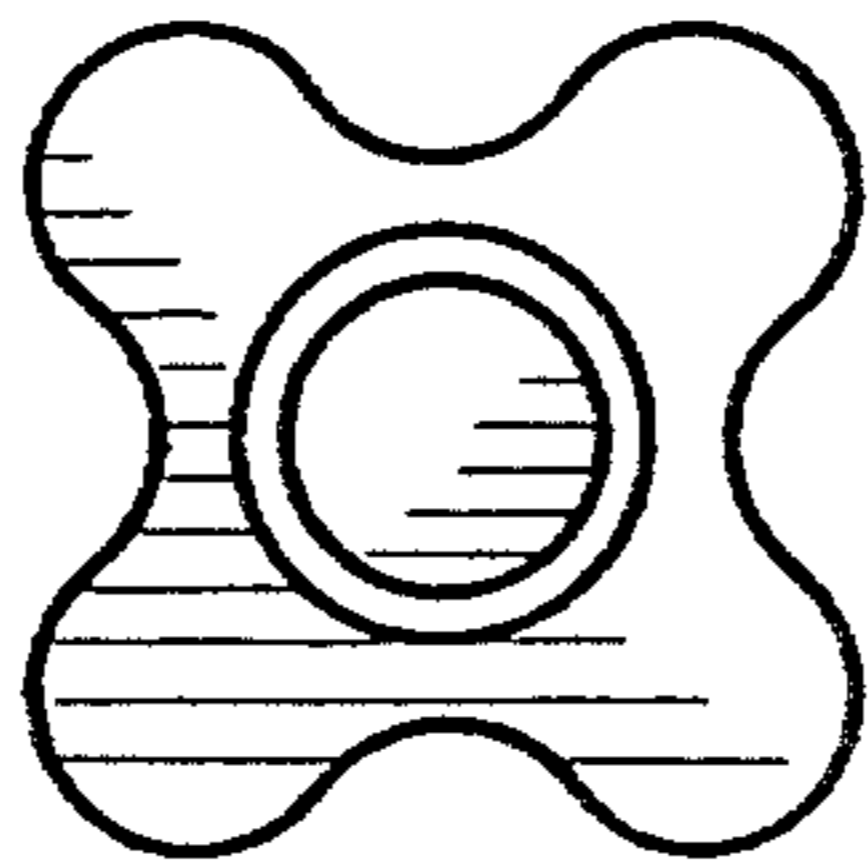


FIG. 3



FIG. 4

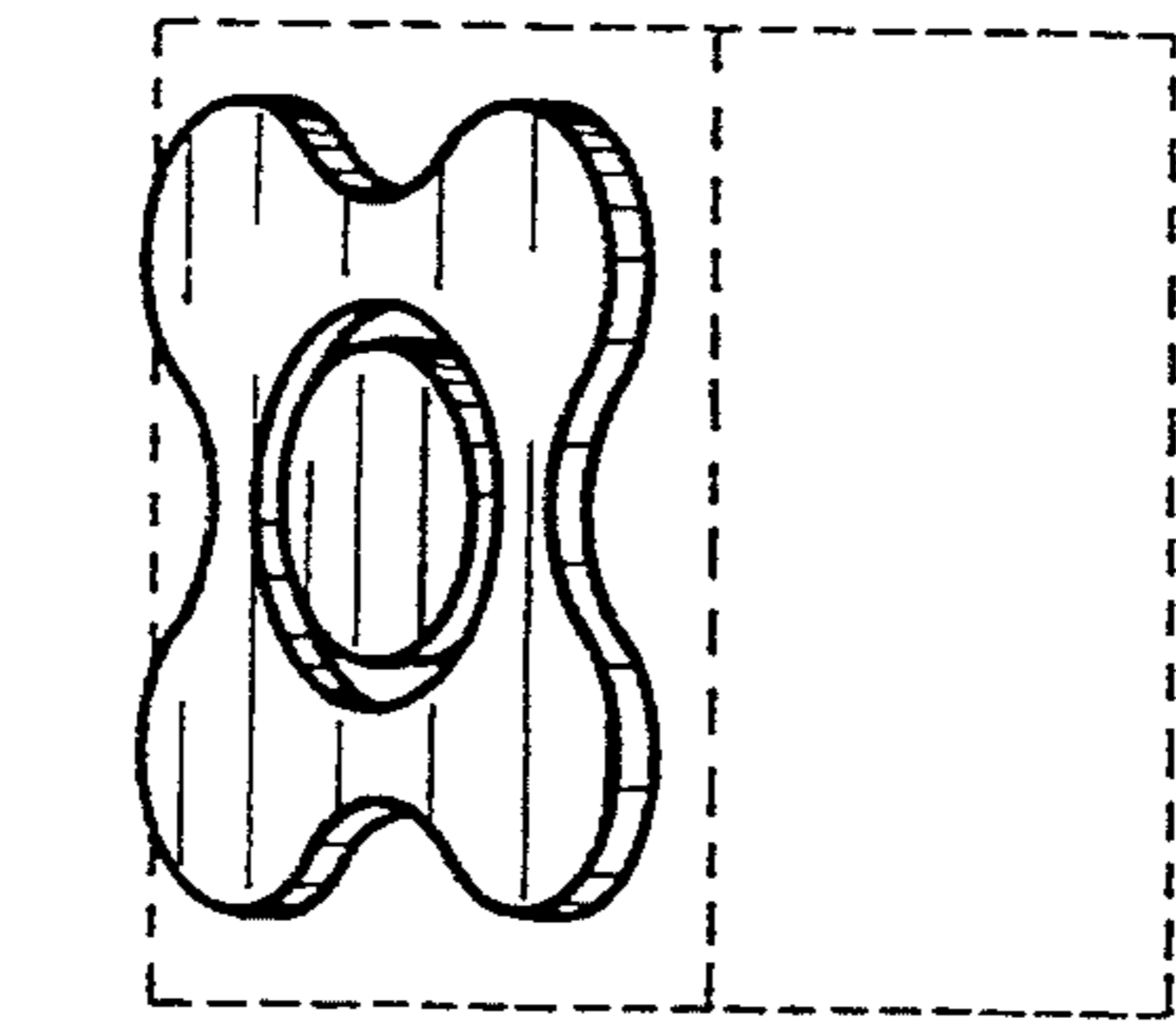


FIG. 6

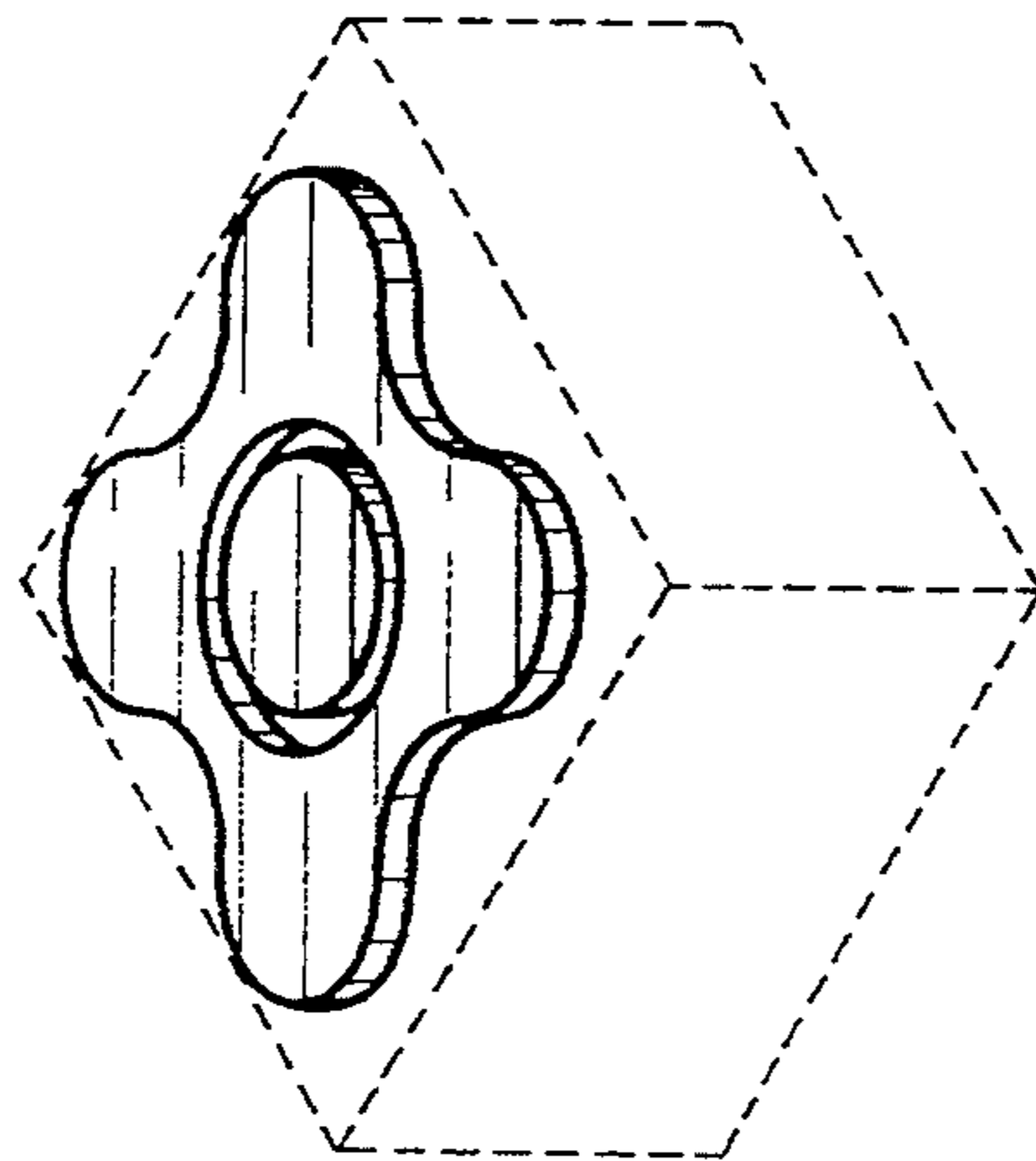


FIG. 5

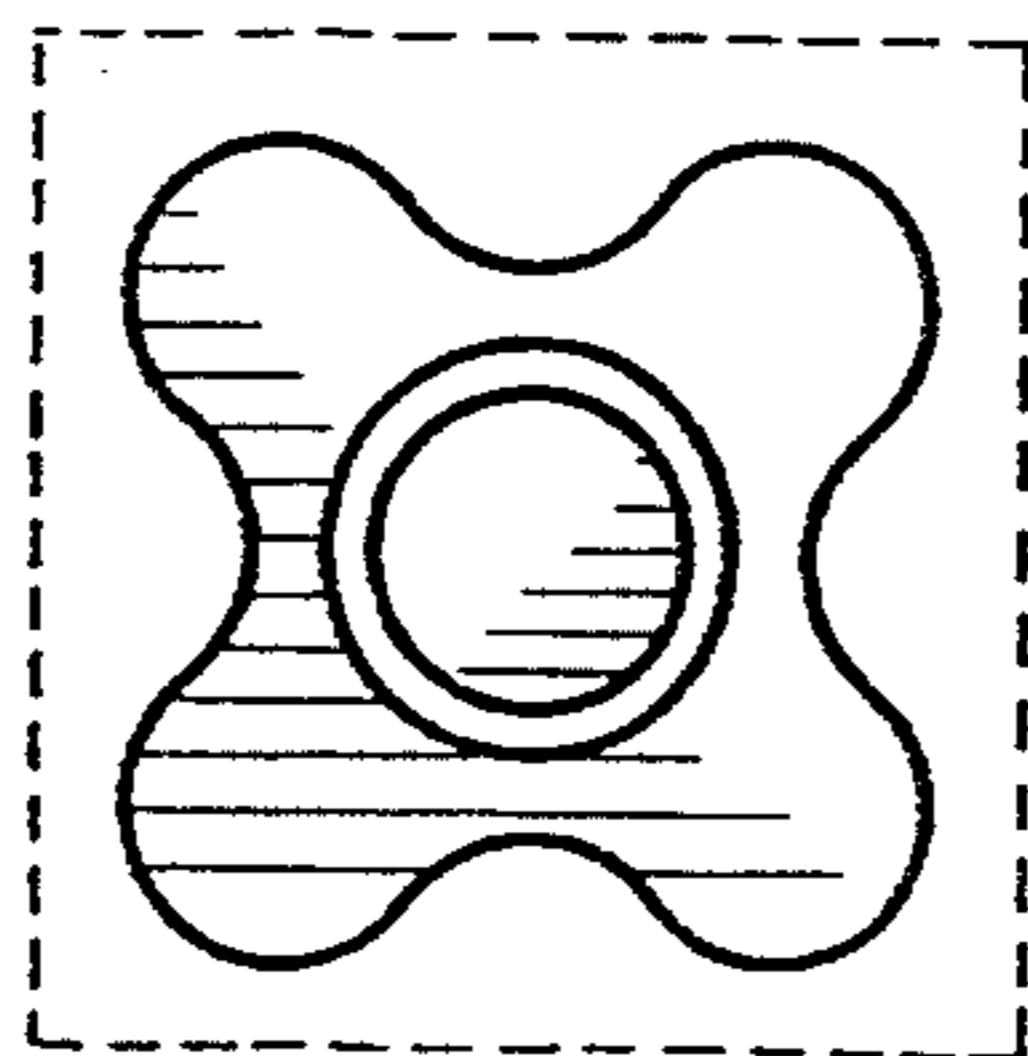


FIG. 7

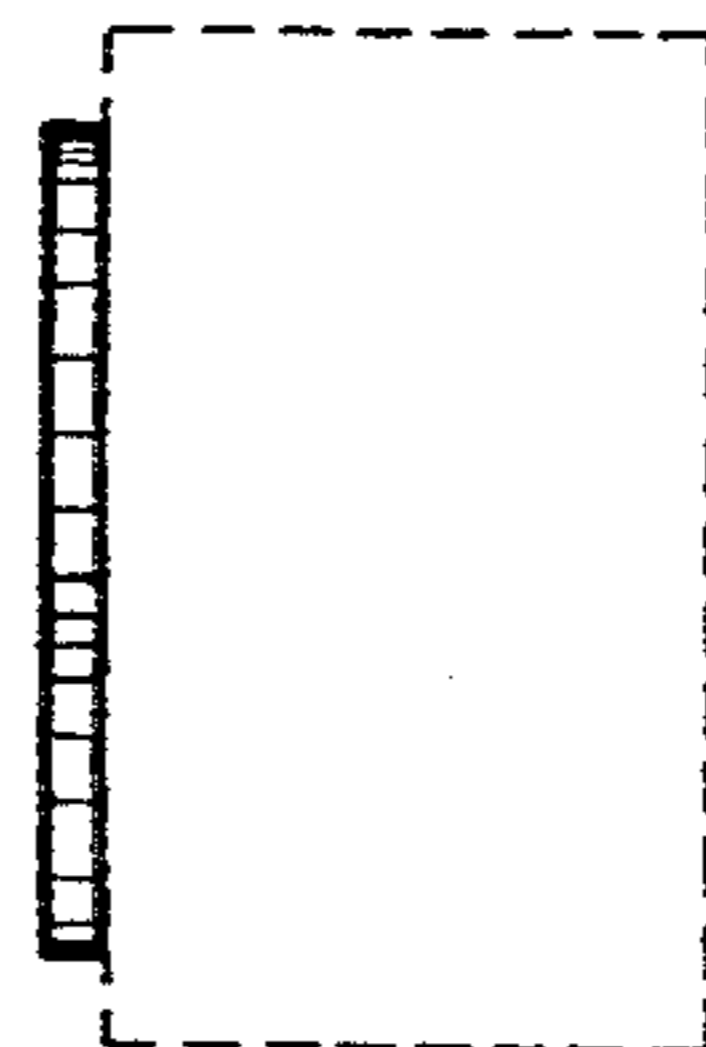


FIG. 8