



US00D357509S

United States Patent [19]

[11] Patent Number: **Des. 357,509**

Goettner et al.

[45] Date of Patent: **** Apr. 18, 1995**

[54] **COMBINED PLASTIC CONTAINER AND TOY BUILDING BLOCK**

2,981,009 4/1961 Lindquist 446/117
3,474,843 10/1969 Maris 215/10
4,453,719 6/1984 McKean 446/121

[75] Inventors: **Michael K. Goettner**, Sylvania;
Anthony Gomes, Toledo, both of Ohio

OTHER PUBLICATIONS

Fisher Price Catalog p. 29 #2027 lower right of page.

[73] Assignee: **Owens-Illinois Plastic Products Inc.**, Toledo, Ohio

Primary Examiner—Bernard Ansher
Assistant Examiner—R. Barkai

[**] Term: **14 Years**

[57] CLAIM

[21] Appl. No.: **5,384**

An ornamental design for a combined plastic container and toy building block, as shown and described.

[22] Filed: **Mar. 3, 1993**

DESCRIPTION

[52] U.S. Cl. **D21/108; D9/560; D9/564; D9/337**

[58] Field of Search **D21/108; D9/337, 347, D9/341, 560, 564; 215/10; 220/23.4, 23.6; 446/74, 117, 121, 124**

FIG. 1 is a front elevational view of a combined plastic container and toy building block showing our new design;

FIG. 2 is a right side elevational view thereof; the side opposite being a mirror image;

FIG. 3 is a front elevational view;

FIG. 4 is a top plan view thereof, the bottom plan view being a mirror image thereof;

FIG. 5 is a perspective view; and,

FIG. 6 is a rear elevational view thereof; the broken line showing of the other two combined plastic container and toy building blocks is for illustrative purposes only and forms no part of the claimed design.

[56] References Cited

U.S. PATENT DOCUMENTS

D. 105,808	8/1937	Schein	D9/560
D. 224,287	7/1972	Coster	D9/560
D. 244,256	5/1977	Dekker	D9/347
D. 266,987	11/1982	Guzman	D9/560
D. 327,639	7/1992	Burnsed	D9/560
D. 341,781	11/1993	Sanyal	D9/337

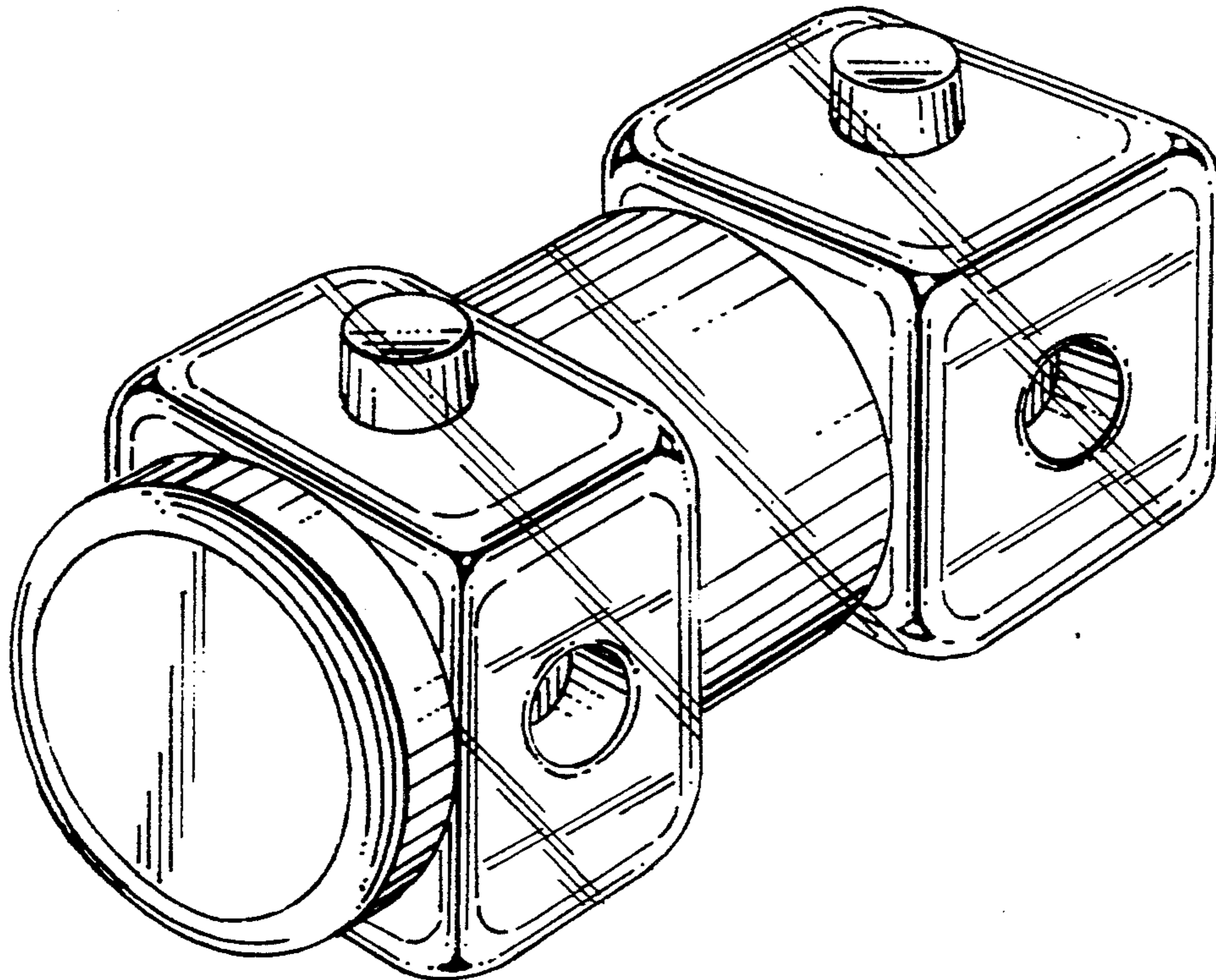


FIG. 1

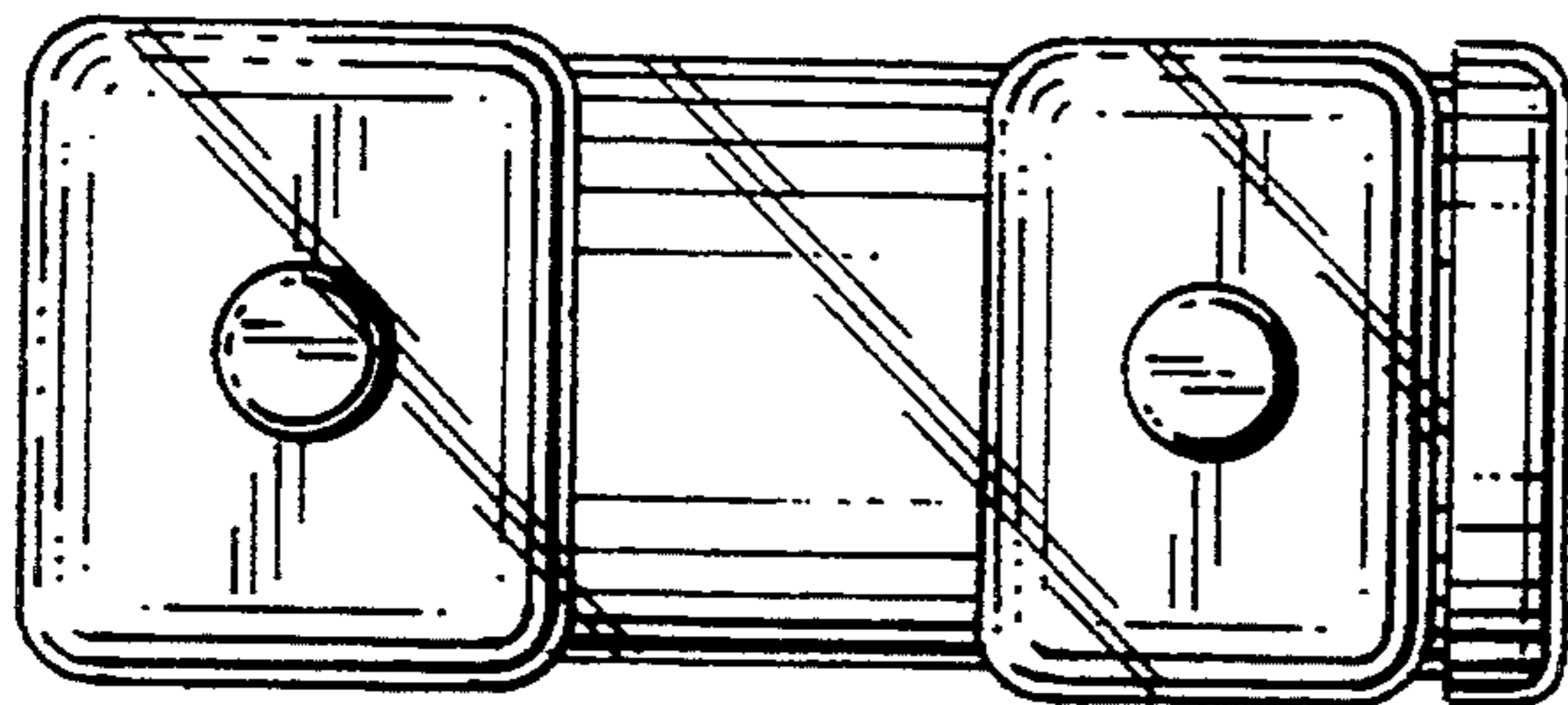


FIG. 2

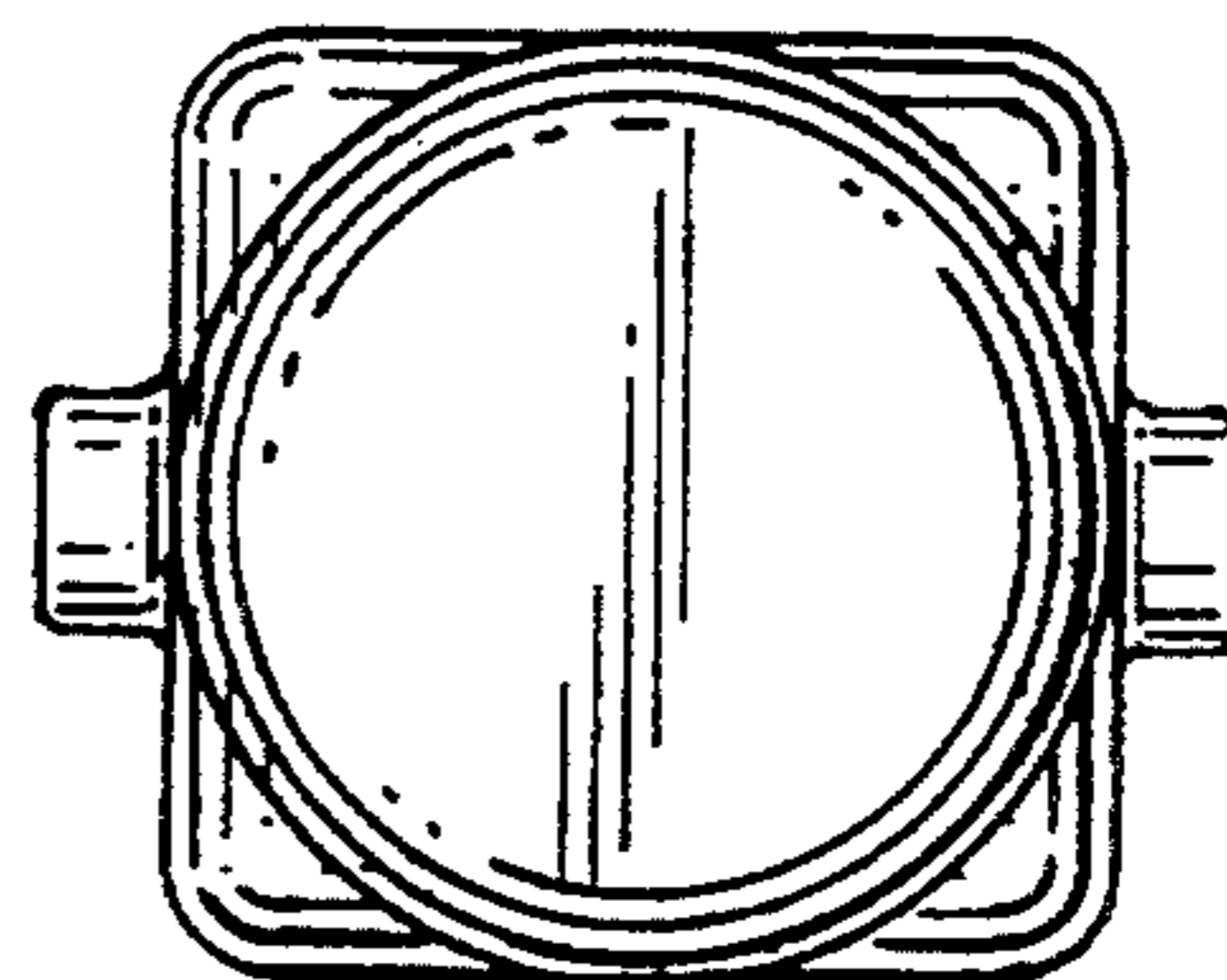


FIG. 3

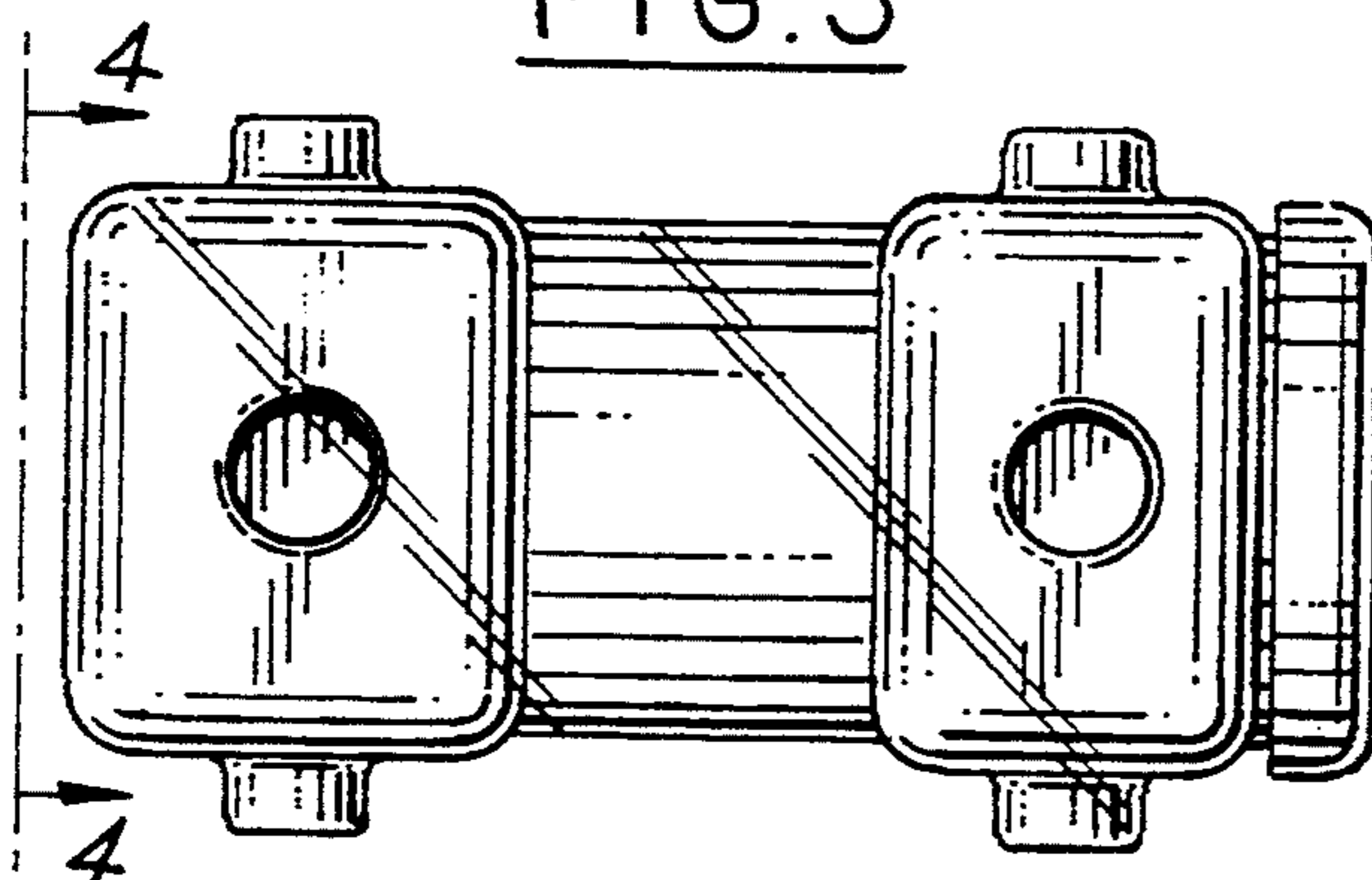


FIG. 4

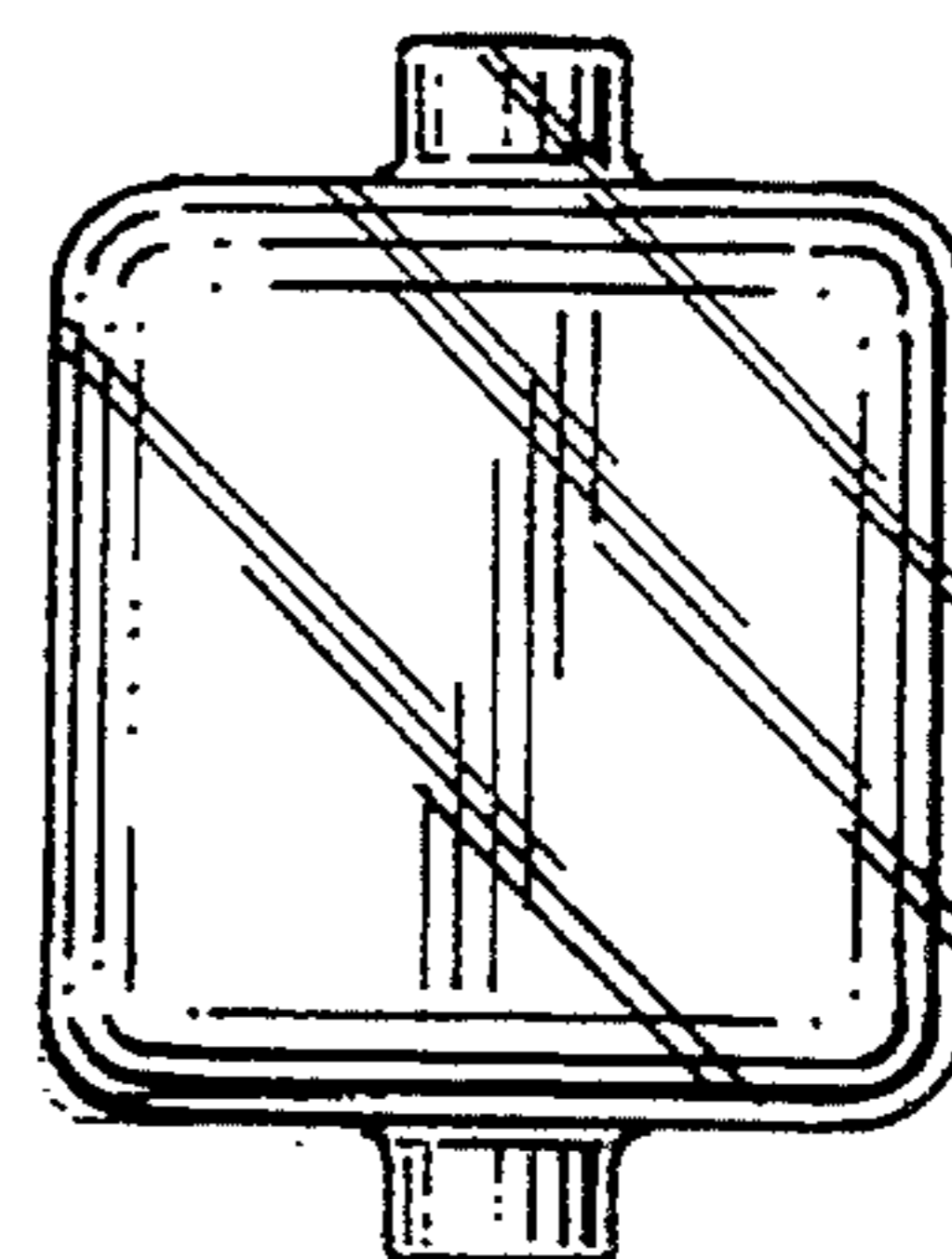


FIG. 5

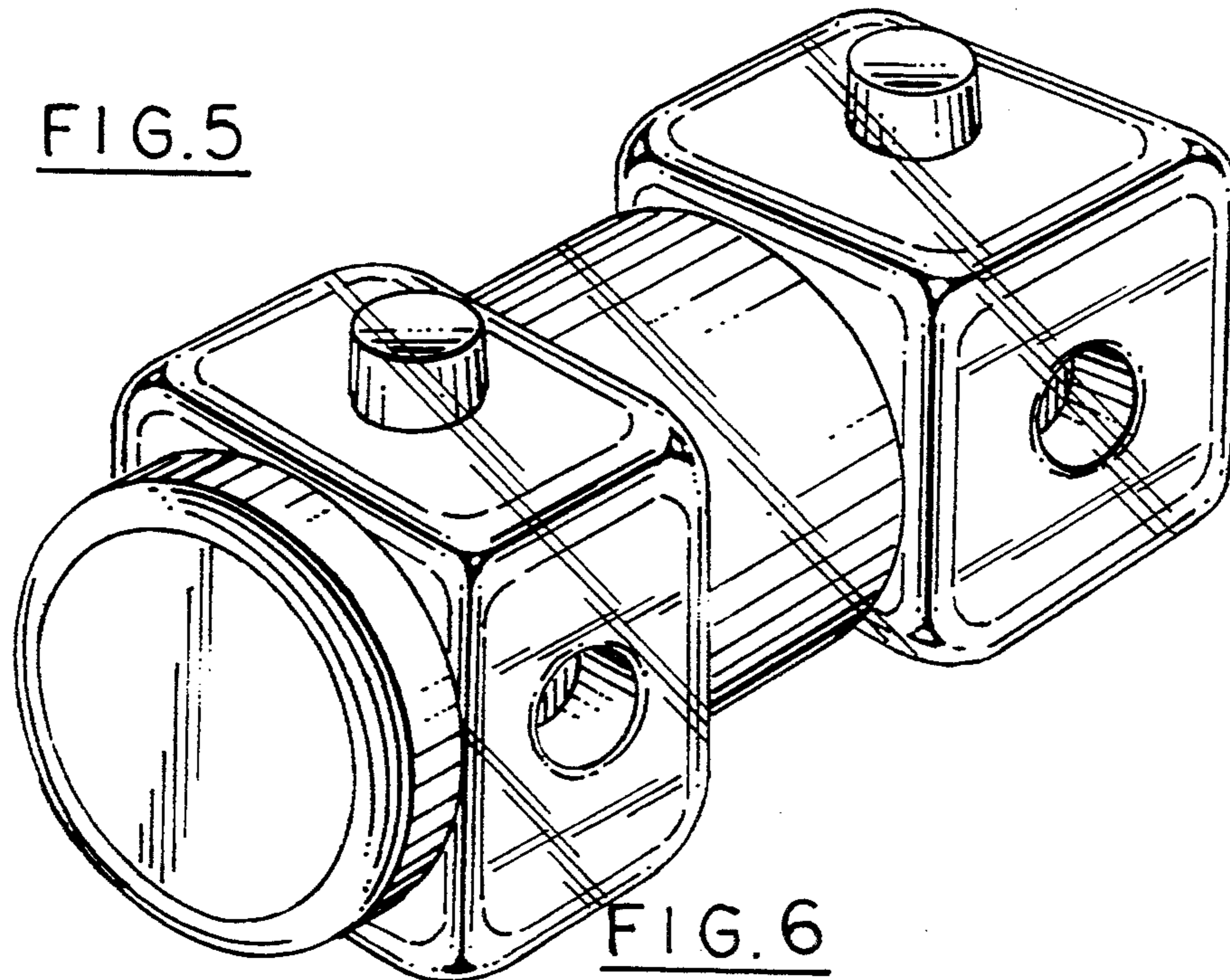


FIG. 6

