



US00D357505S

# United States Patent [19]

[11] Patent Number: **Des. 357,505**

Callas

[45] Date of Patent: **\*\* Apr. 18, 1995**

[54] **SIGN HOLDER**

[76] Inventor: **Mike T. Callas**, 6420 Oxford St.,  
Minneapolis, Minn. 55426

[\*\*] Term: **14 Years**

[21] Appl. No.: **21,221**

[22] Filed: **Apr. 11, 1994**

[52] U.S. Cl. .... **D20/43**

[58] Field of Search ..... D20/10, 39, 40, 41,  
D20/42, 43, 44; 40/1, 1.6, 643, 644, 649, 650,  
658, 661, 662

[56] **References Cited**

**U.S. PATENT DOCUMENTS**

D. 229,452	11/1973	Bentley .	
D. 321,914	11/1991	Jam .....	D20/43
D. 347,449	5/1994	Garfinkle .....	D20/43
D. 350,157	8/1994	Hart .....	D20/43
1,417,325	5/1922	Hopp .....	D20/43
2,704,409	3/1955	Randall .....	40/591
3,148,856	9/1964	Orlando .	
3,178,138	4/1965	Hessdoerfer et al. .	
3,532,310	10/1970	Finfrock .	
4,677,780	7/1981	Shuman .	
4,776,116	10/1988	Shuman .	
4,776,549	10/1988	Anastos .	

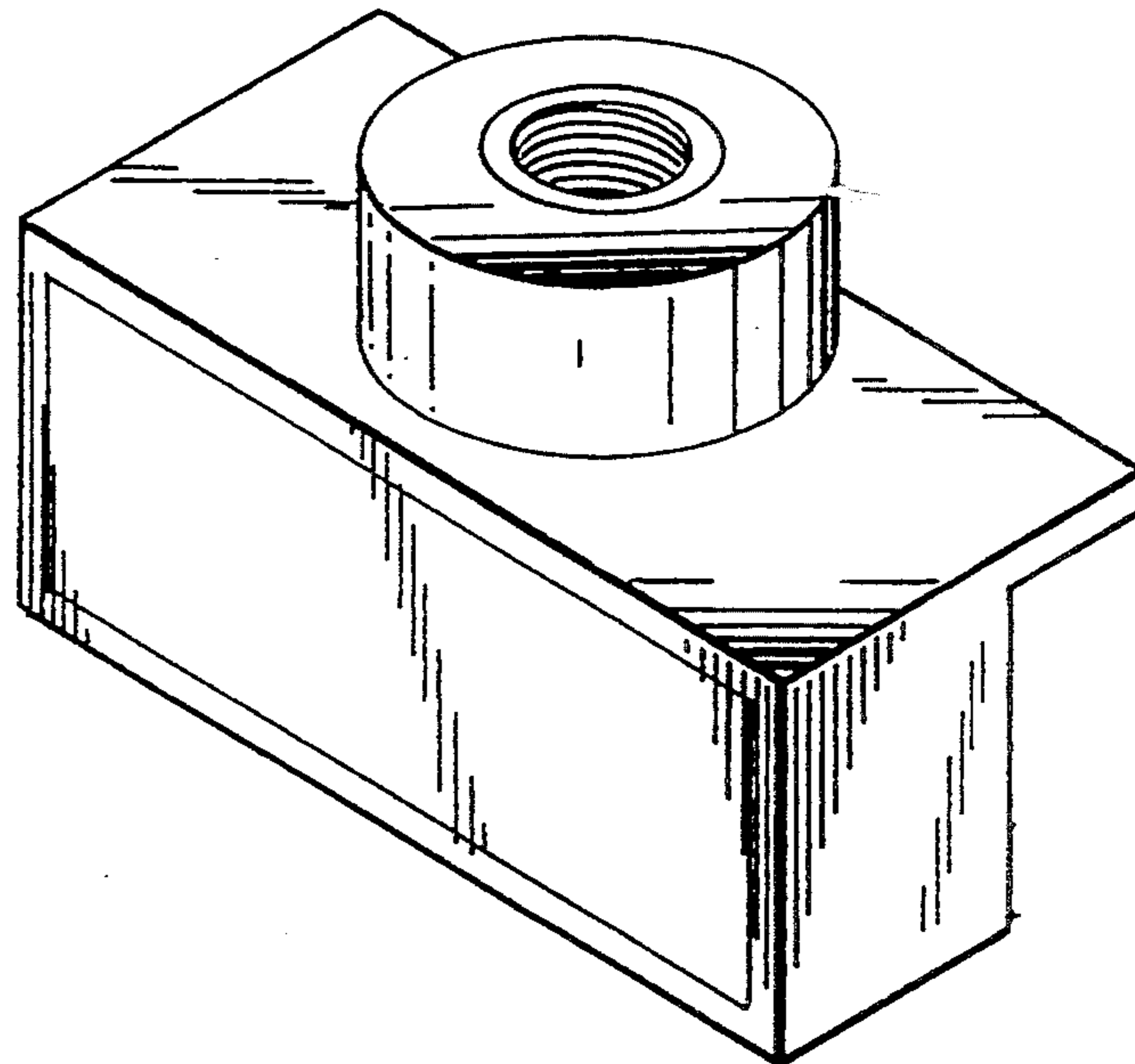
*Primary Examiner*—James M. Gandy  
*Assistant Examiner*—Marcus Jackson  
*Attorney, Agent, or Firm*—Burd, Bartz & Gutenkauf

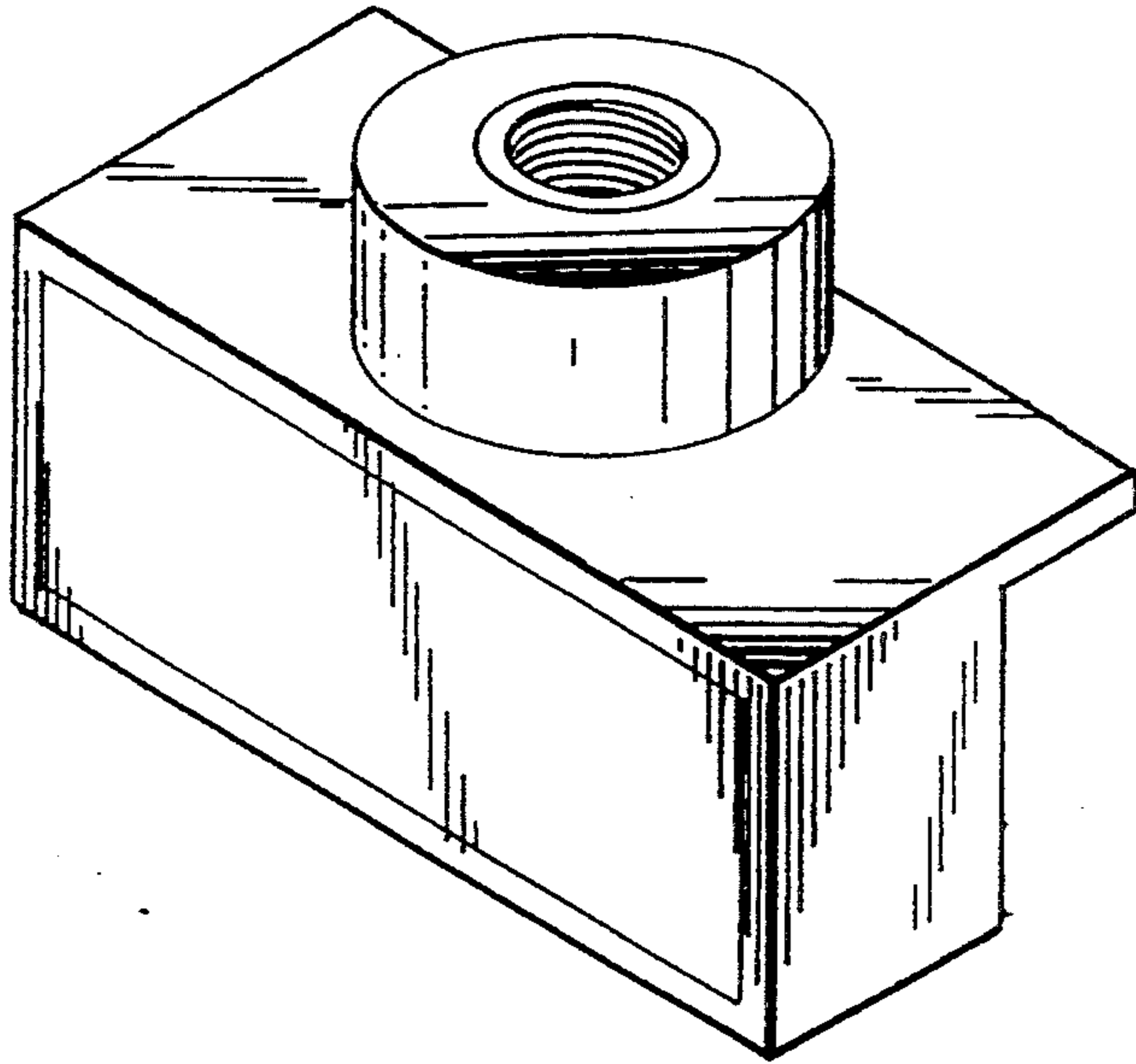
[57] **CLAIM**

The ornamental design for a sign holder, as shown and described.

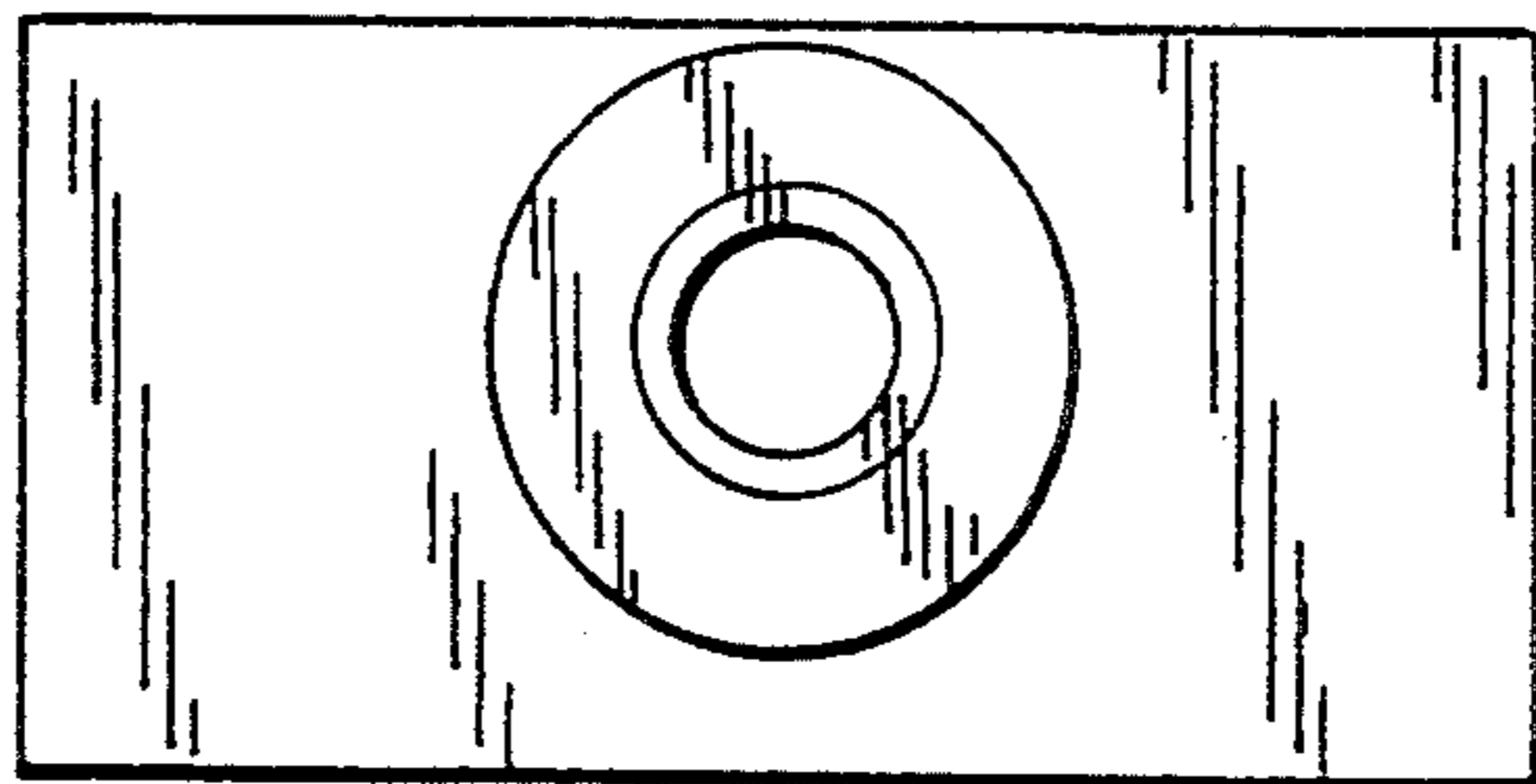
**DESCRIPTION**

FIG. 1 is a perspective view of a sign holder showing my new design;  
 FIG. 2 is a top plan view thereof;  
 FIG. 3 is a front elevational view thereof;  
 FIG. 4 is a side elevational view of the left side thereof;  
 FIG. 5 is a side elevational view of the right side thereof;  
 FIG. 6 is a rear elevational view thereof;  
 FIG. 7 is a bottom plan view thereof;  
 FIG. 8 is a perspective view of a second embodiment thereof;  
 FIG. 9 is a top plan view of FIG. 8;  
 FIG. 10 is a front elevational view of FIG. 8;  
 FIG. 11 is a side elevational view of the left side of FIG. 8;  
 FIG. 12 is a side elevational view of the right side of FIG. 8;  
 FIG. 13 is a rear elevational view of FIG. 8;  
 FIG. 14 is a bottom plan view of FIG. 8;  
 FIG. 15 is a perspective view of a third embodiment thereof;  
 FIG. 16 is a top plan view of FIG. 15;  
 FIG. 17 is a front elevational view of FIG. 15;  
 FIG. 18 is a side elevational view of the left side of FIG. 15;  
 FIG. 19 is a side elevational view of the right side of FIG. 15;  
 FIG. 20 is a rear elevational view of FIG. 15; and,  
 FIG. 21 is a bottom plan view of FIG. 15.

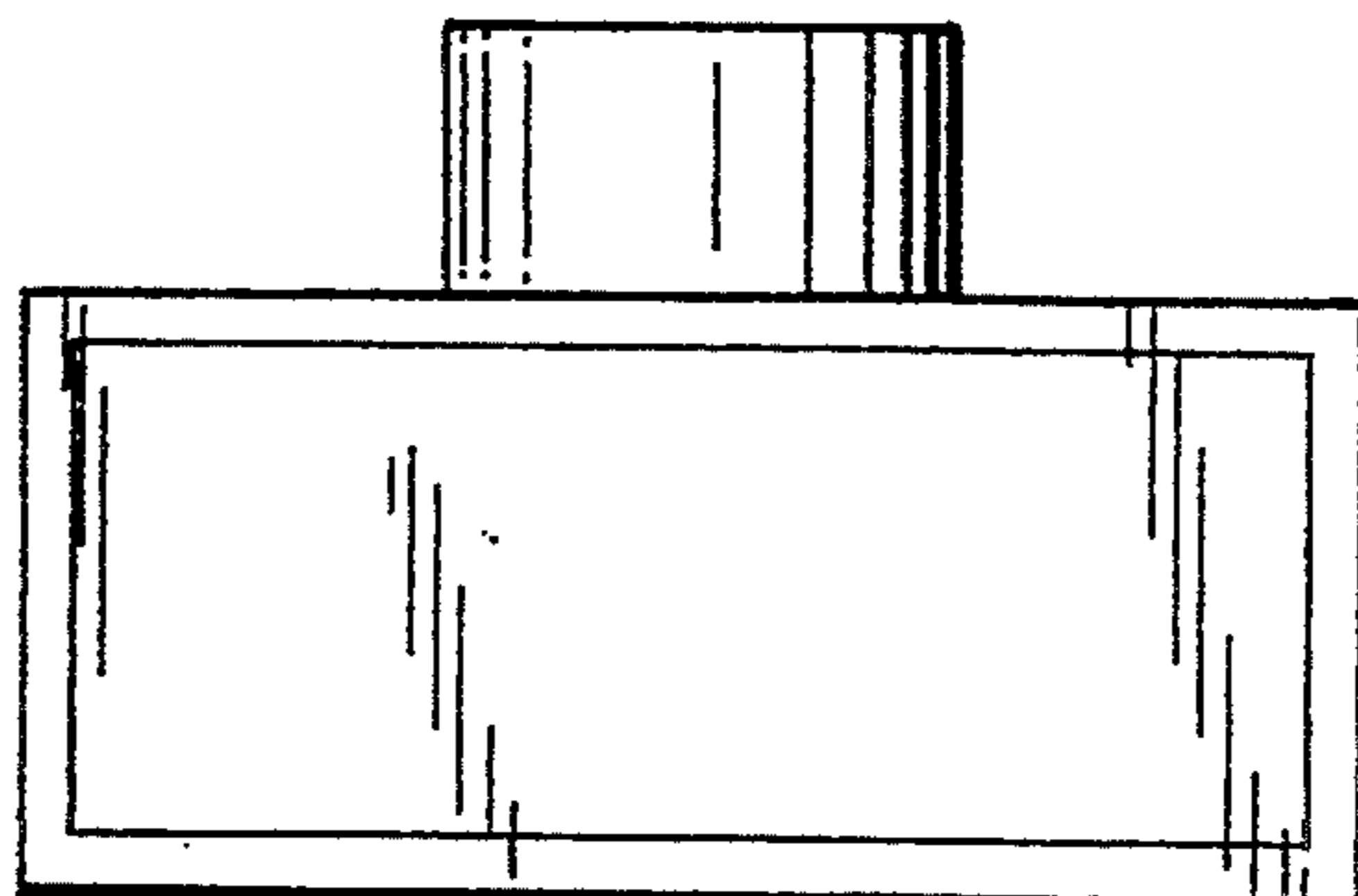




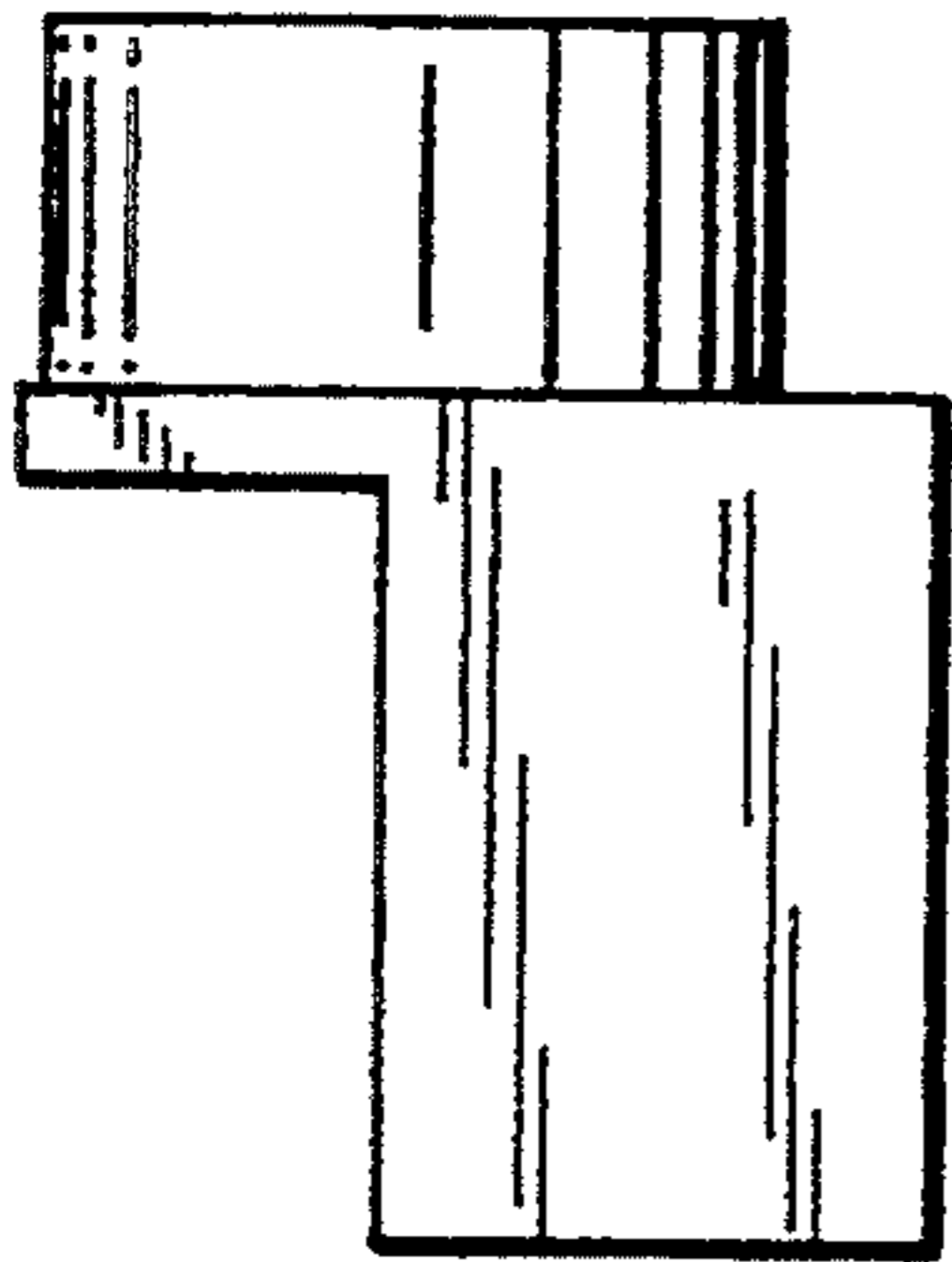
*Fig. 1*



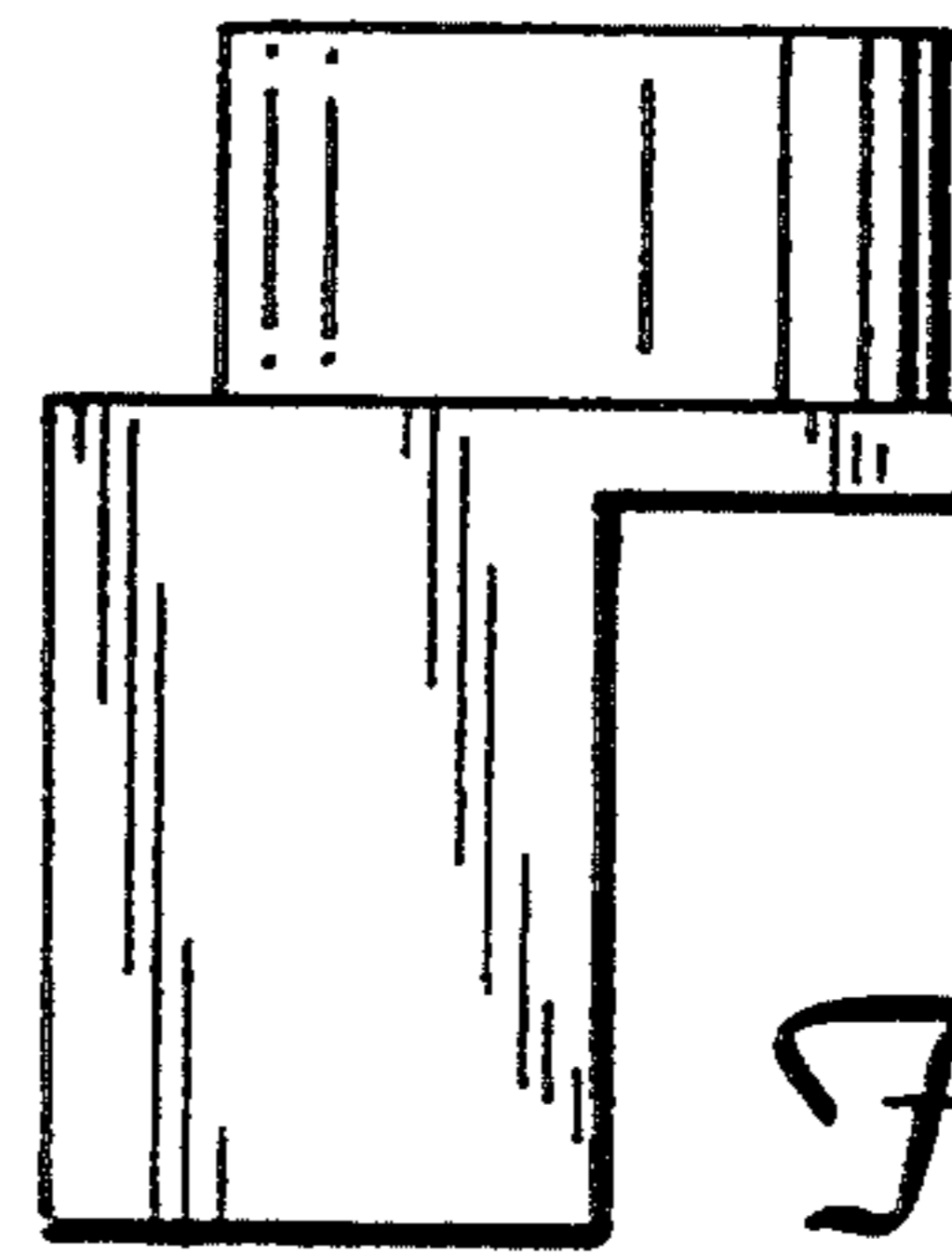
*Fig. 2*



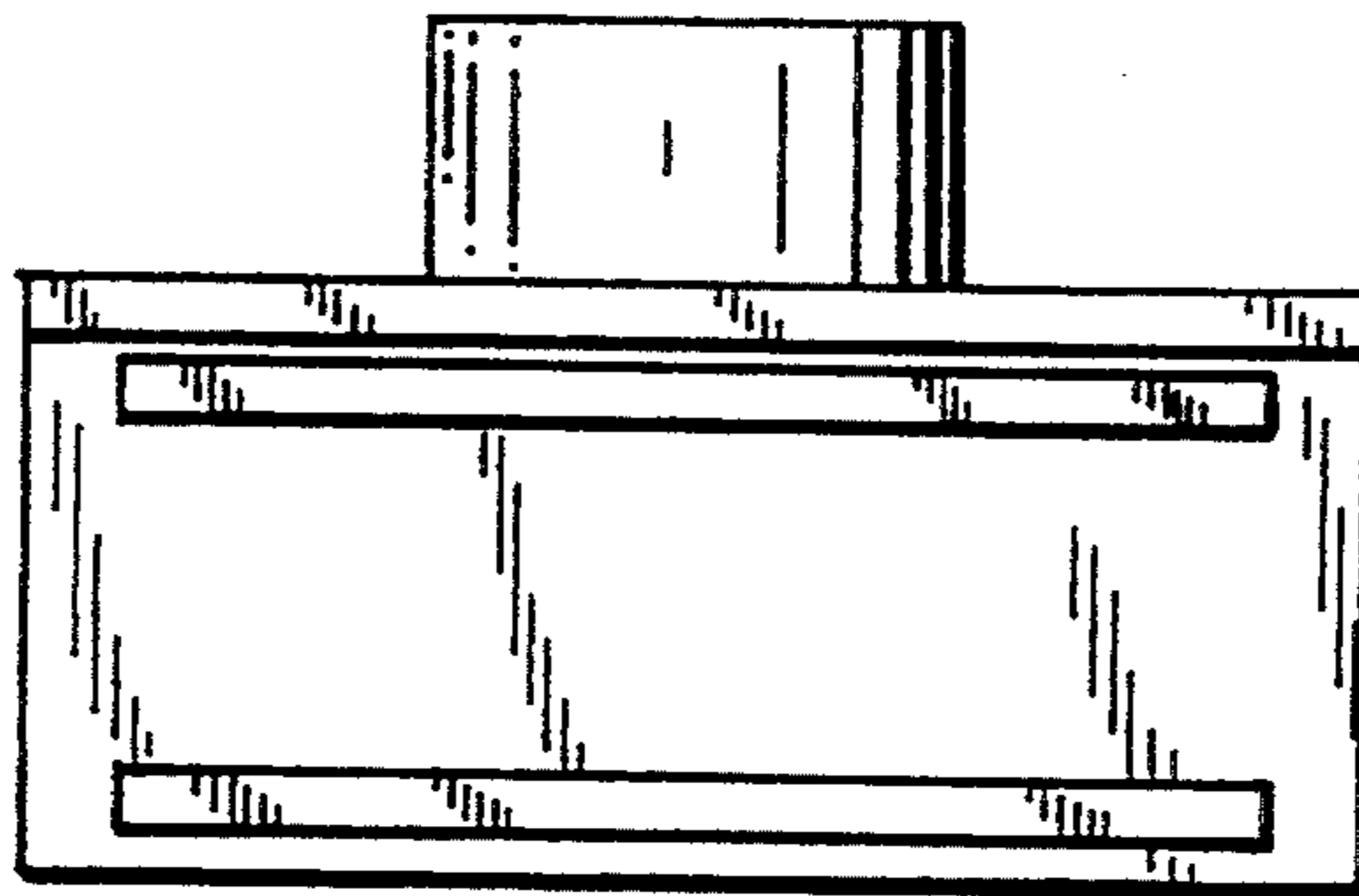
*Fig. 3*



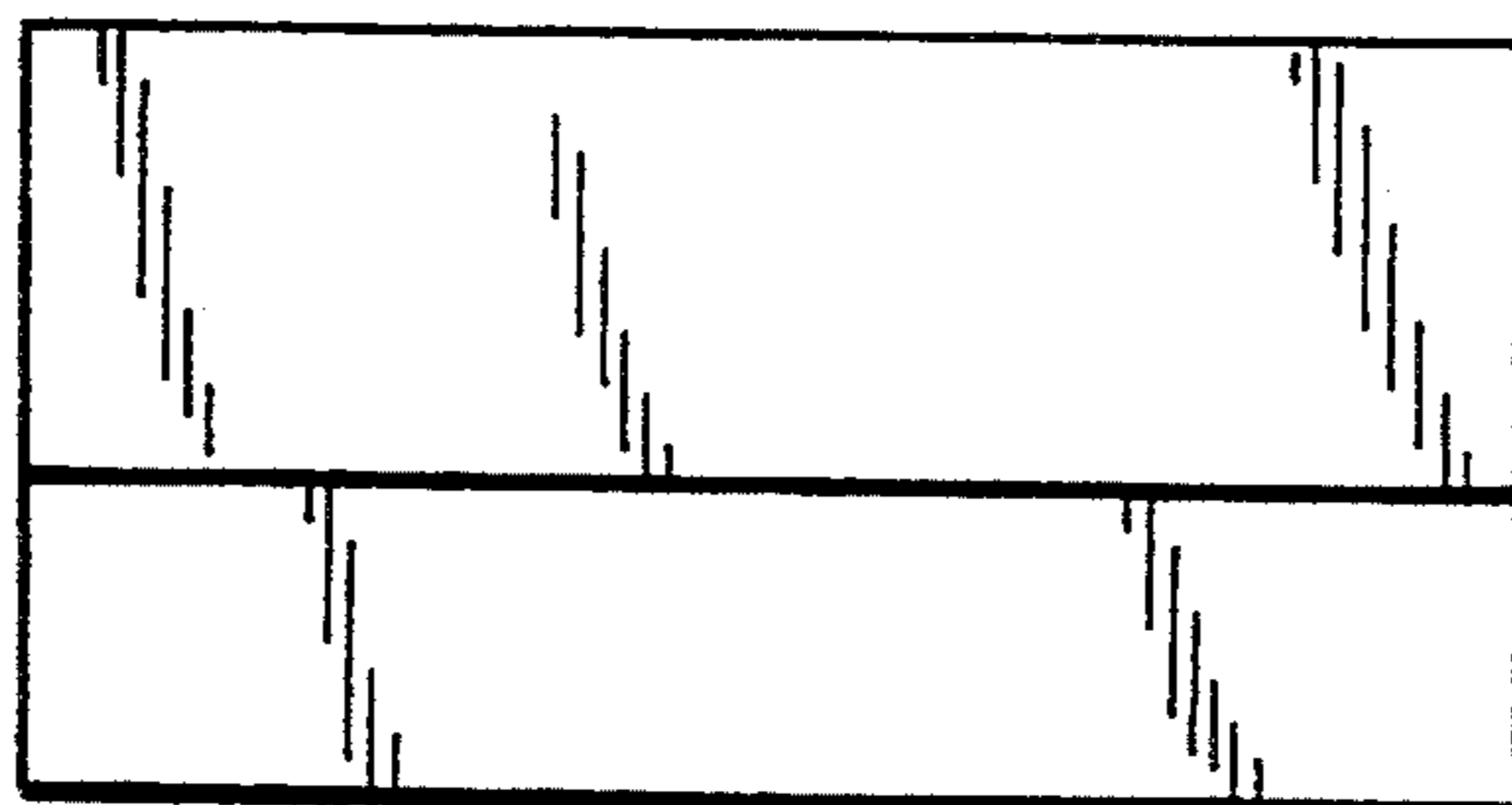
*Fig. 4*



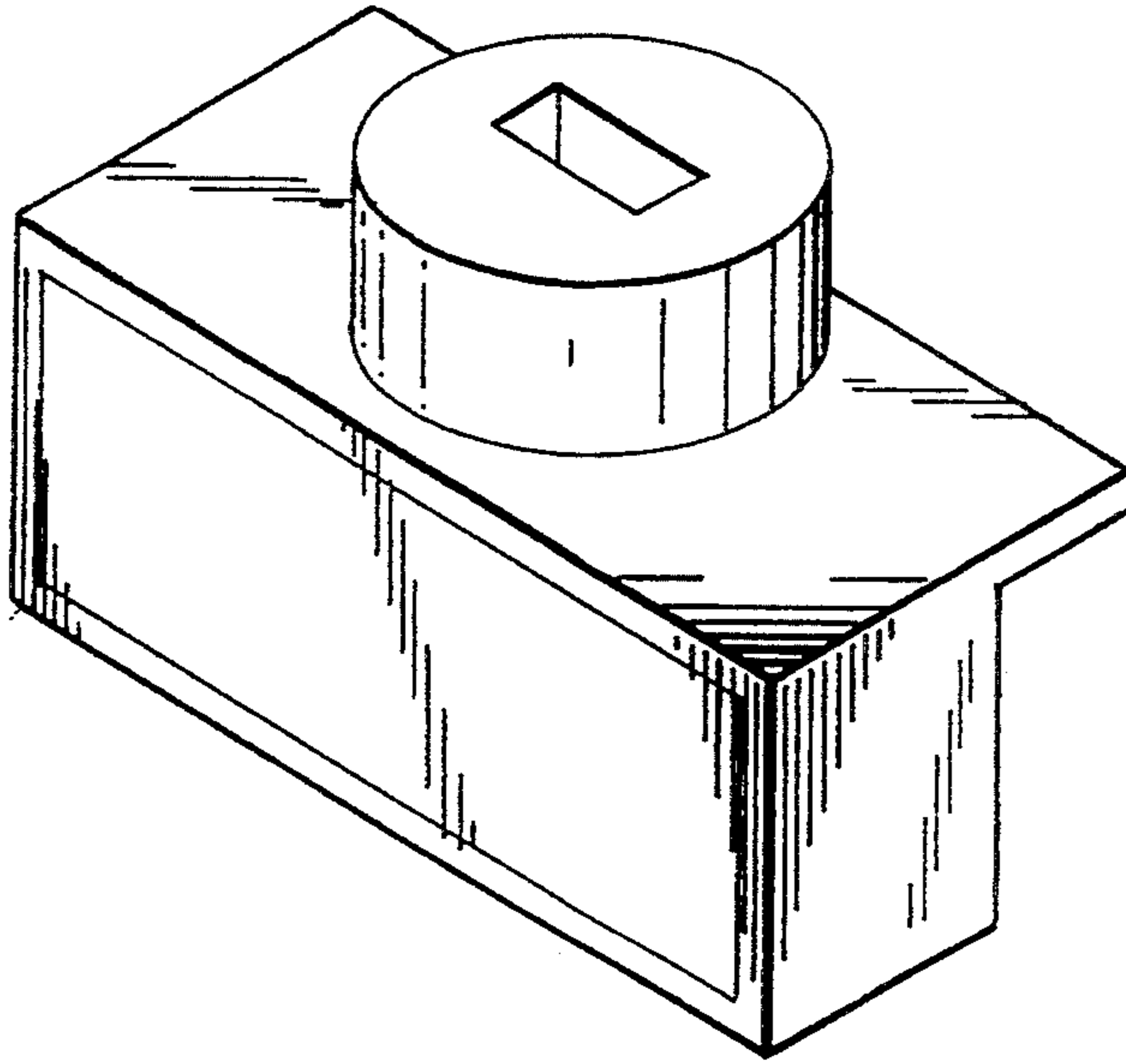
*Fig. 5*



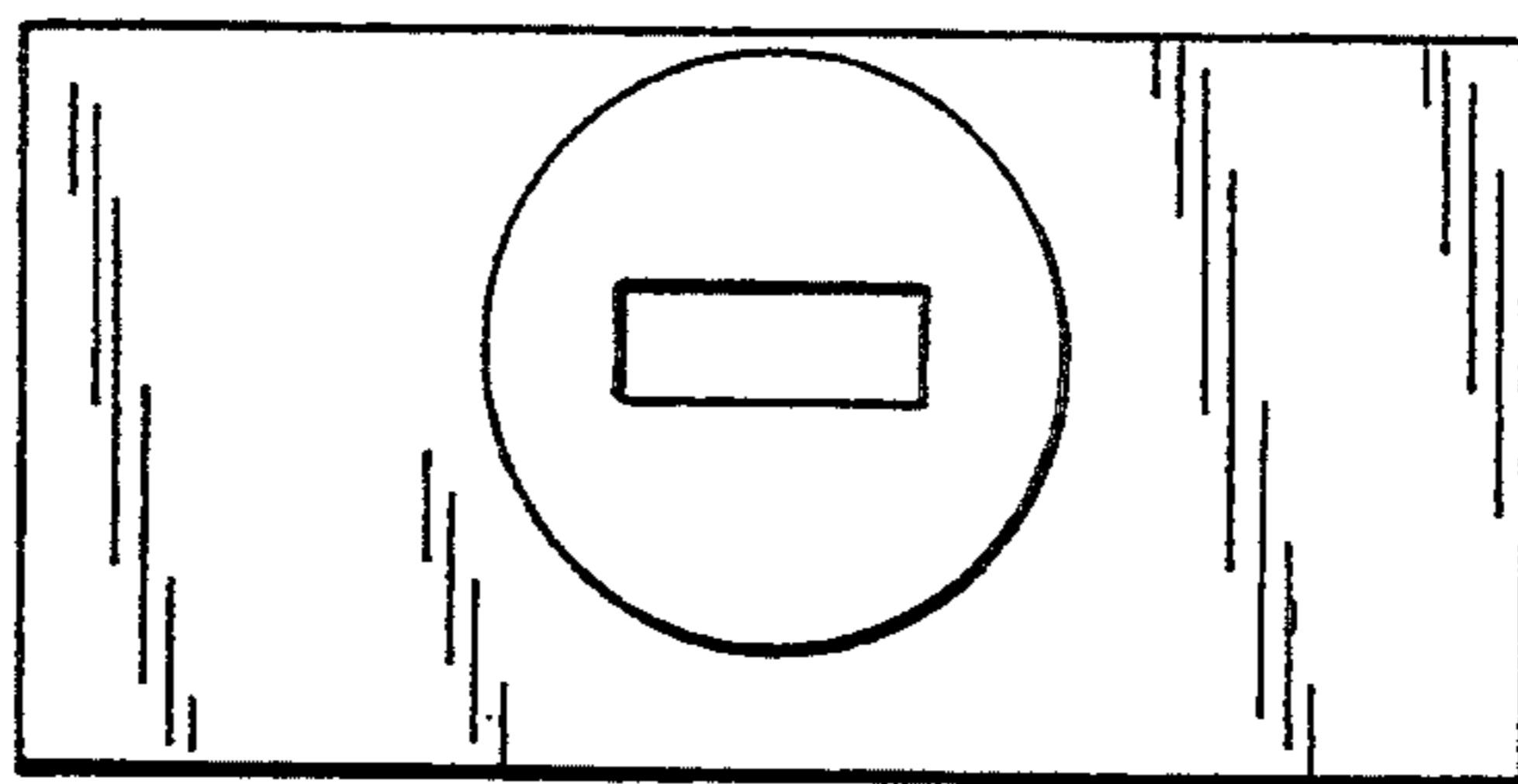
*Fig. 6*



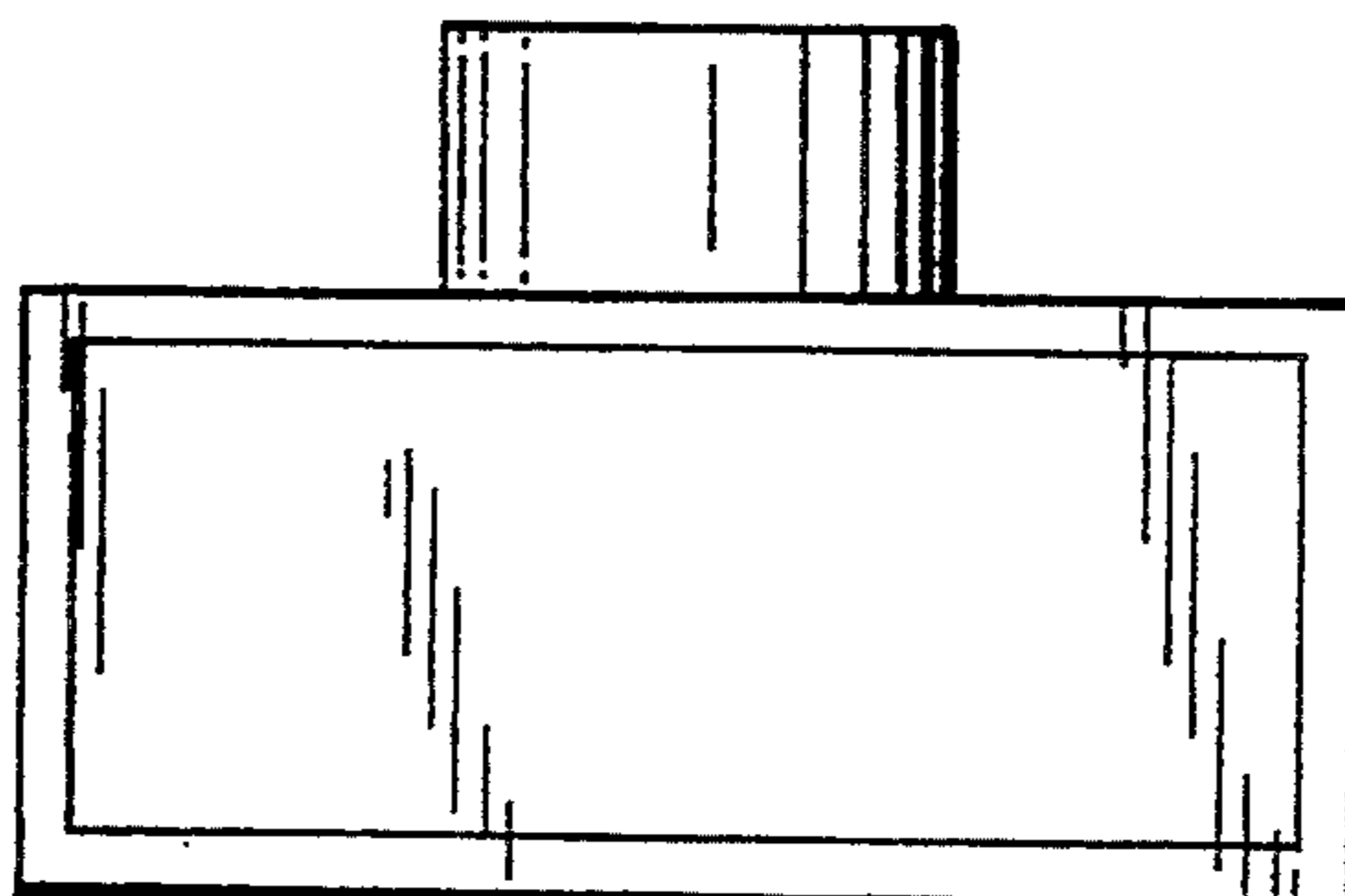
*Fig. 7*



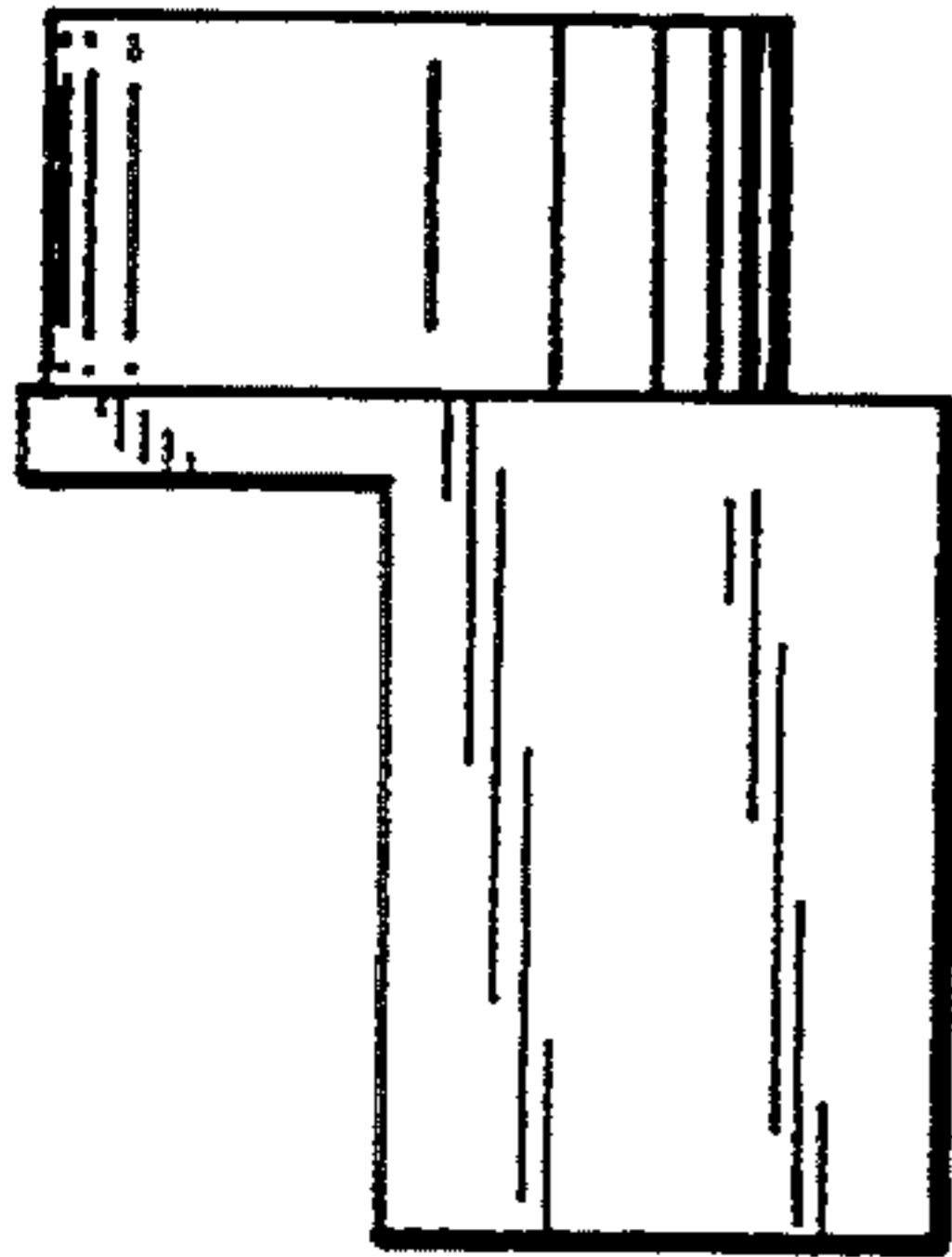
*Fig. 8*



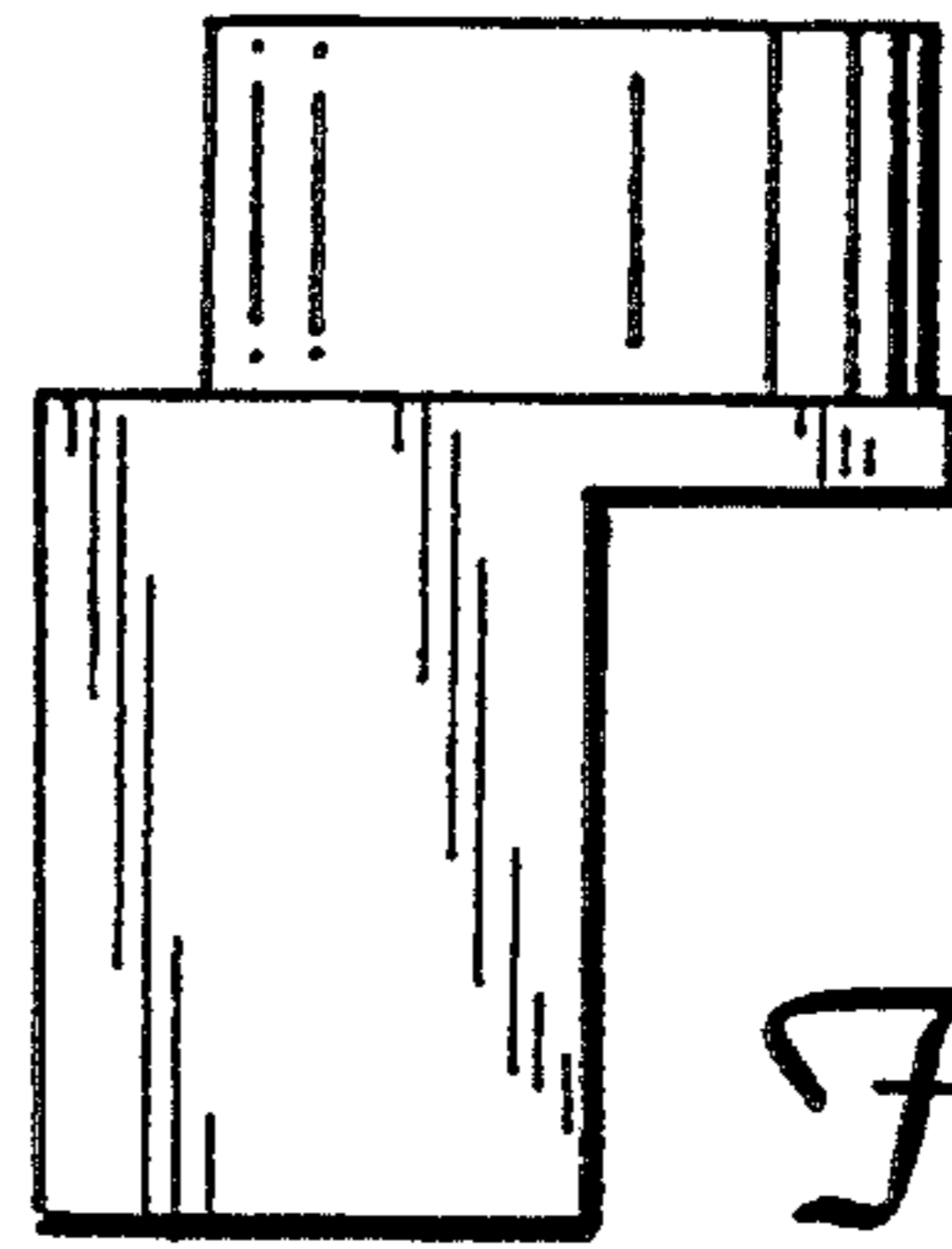
*Fig. 9*



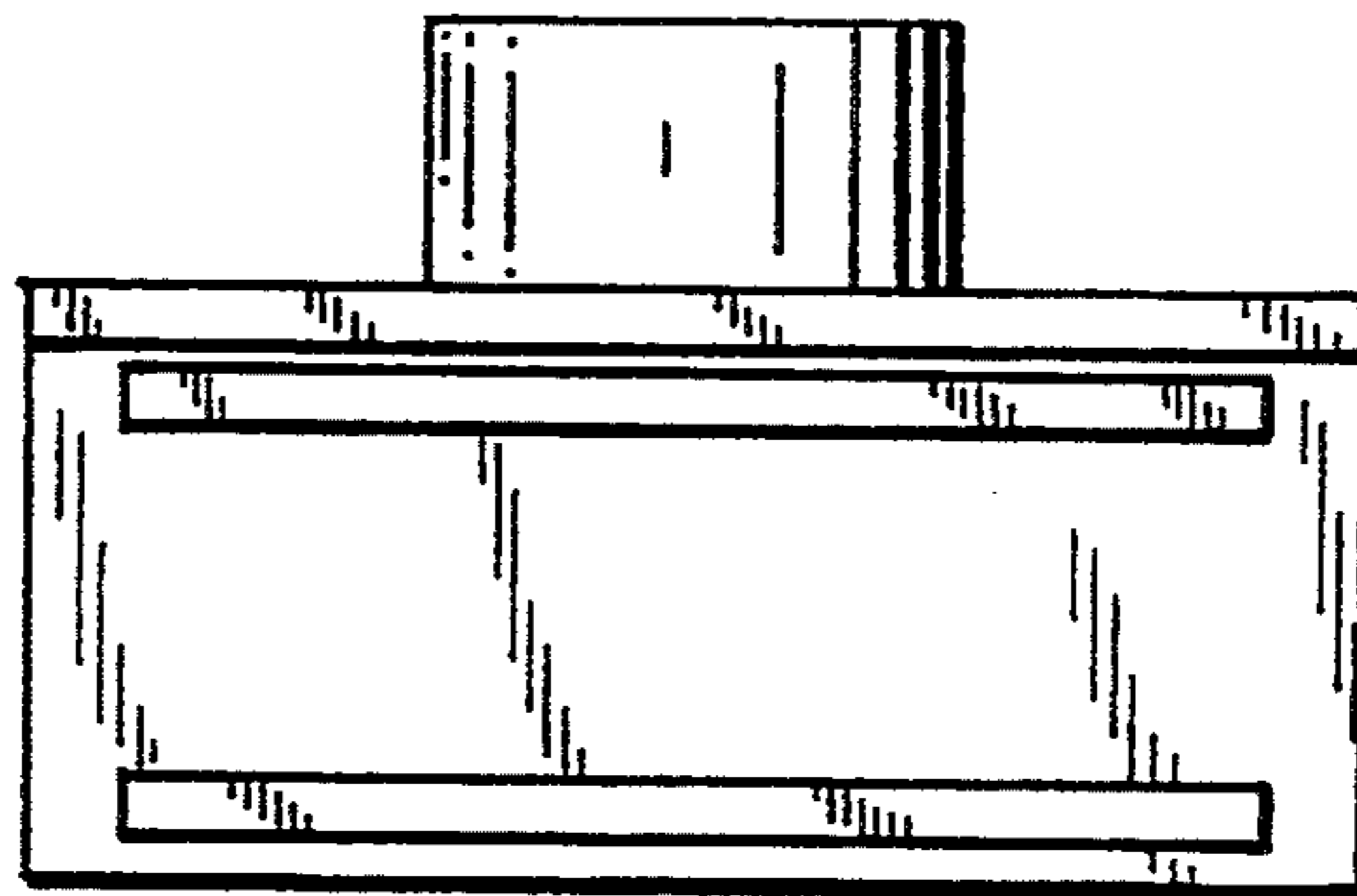
*Fig. 10*



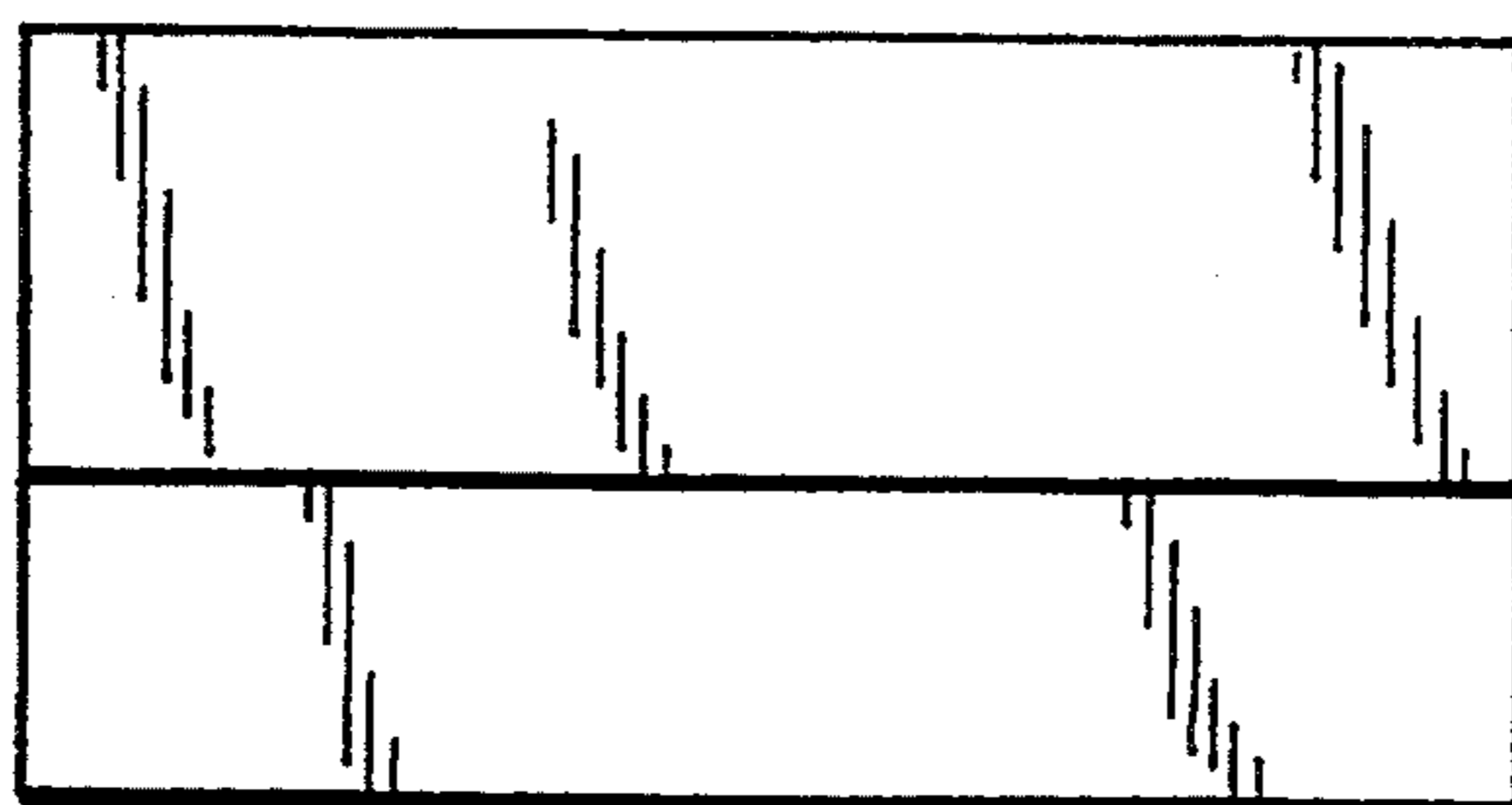
*Fig. 11*



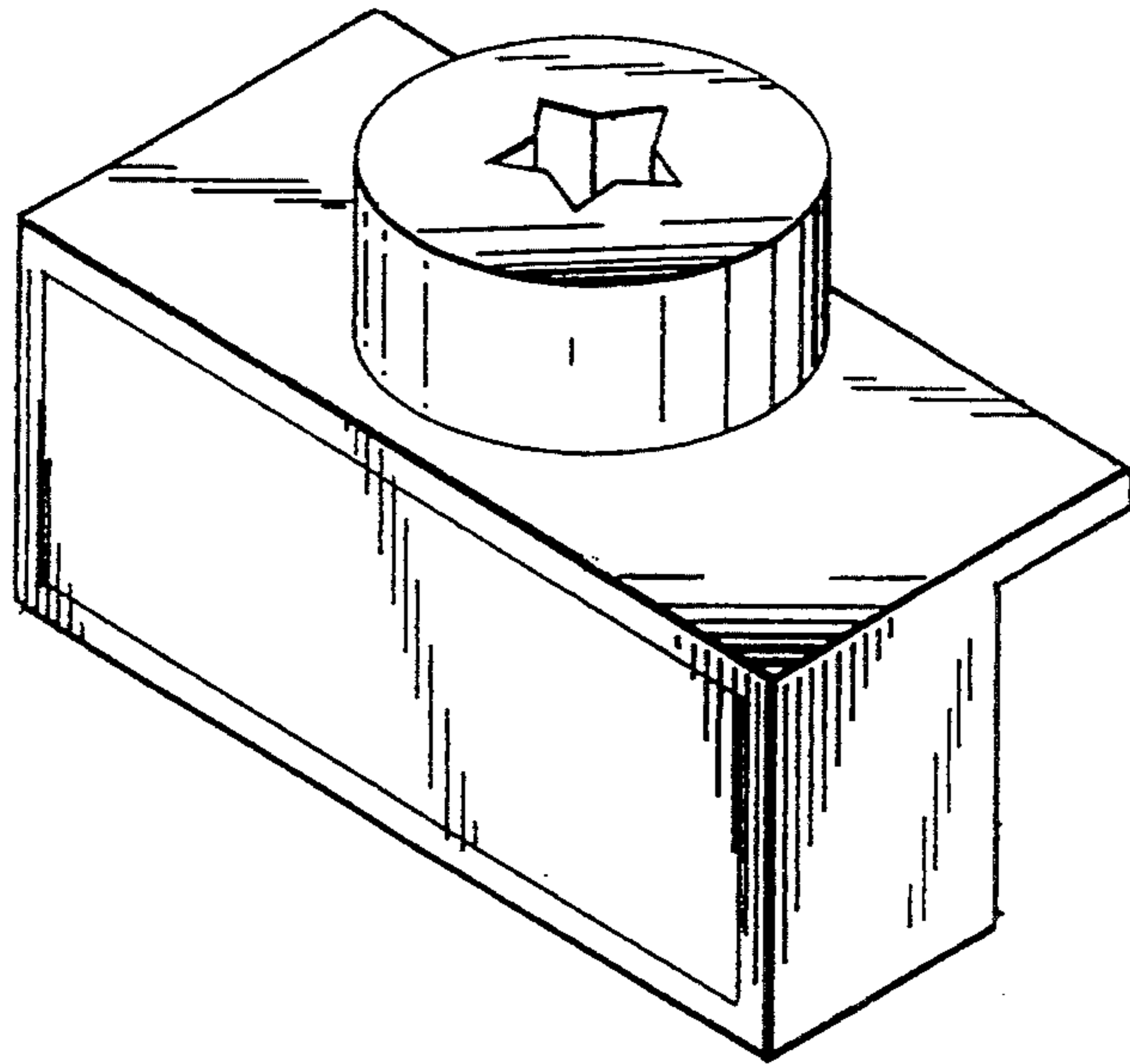
*Fig. 12*



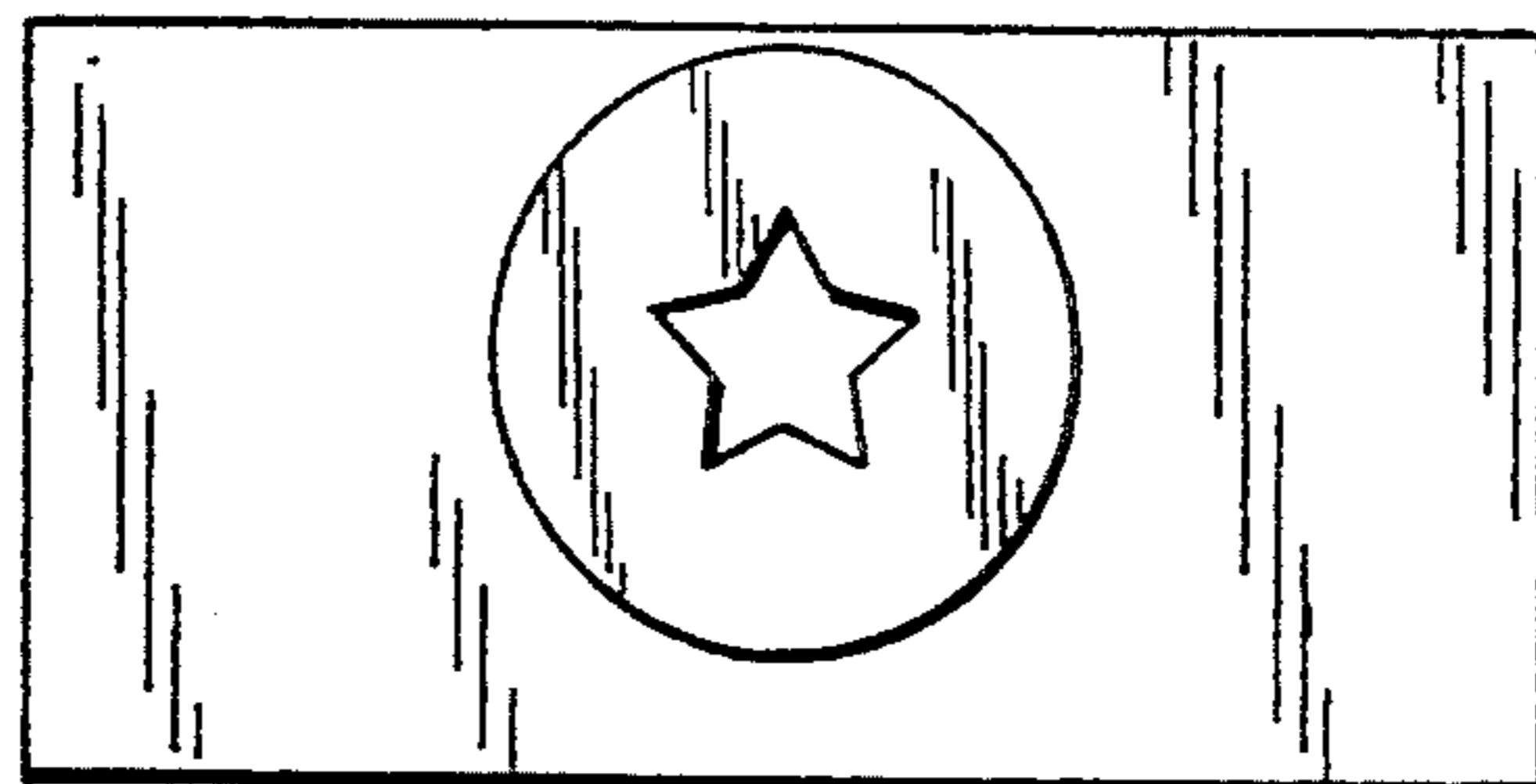
*Fig. 13*



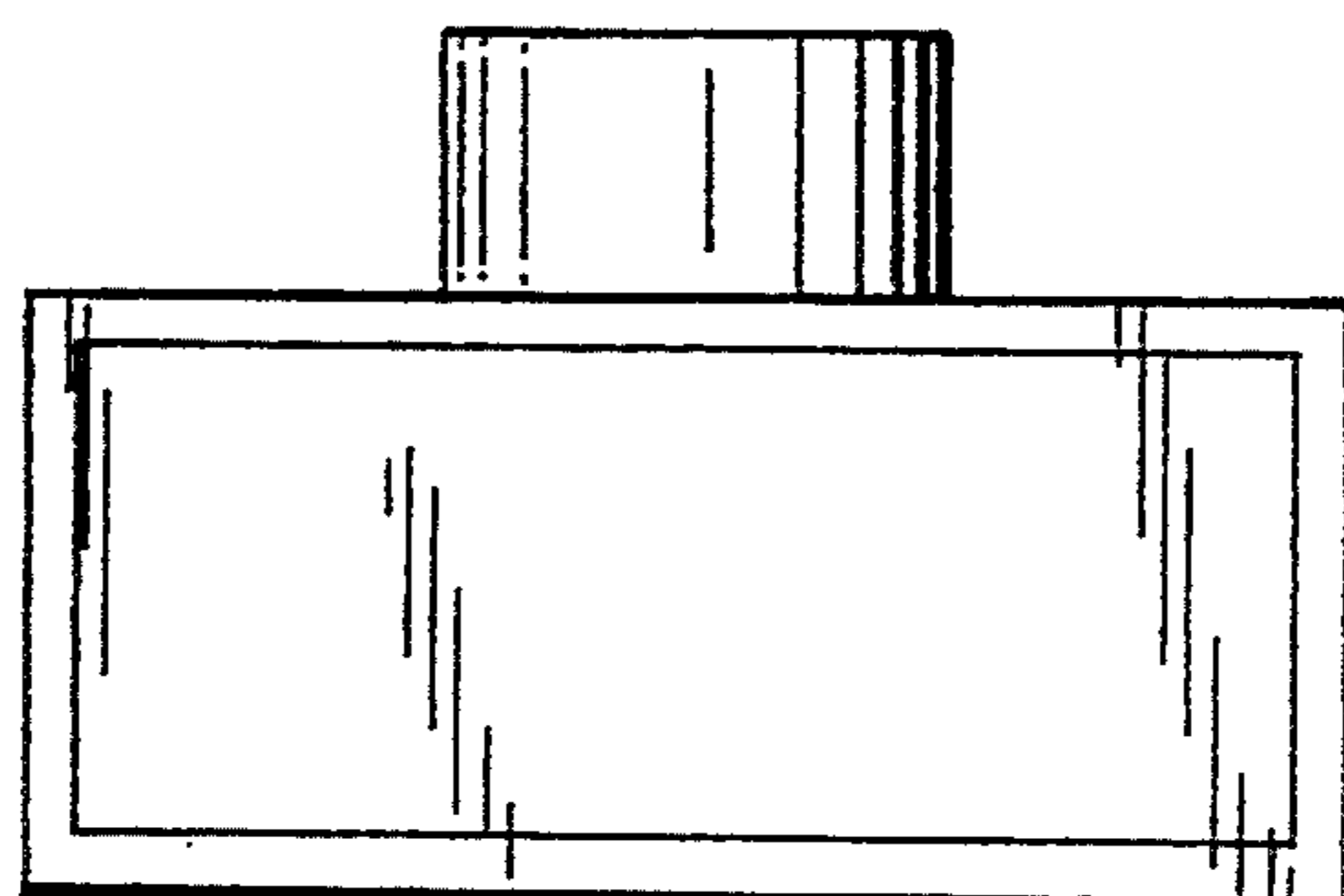
*Fig. 14*



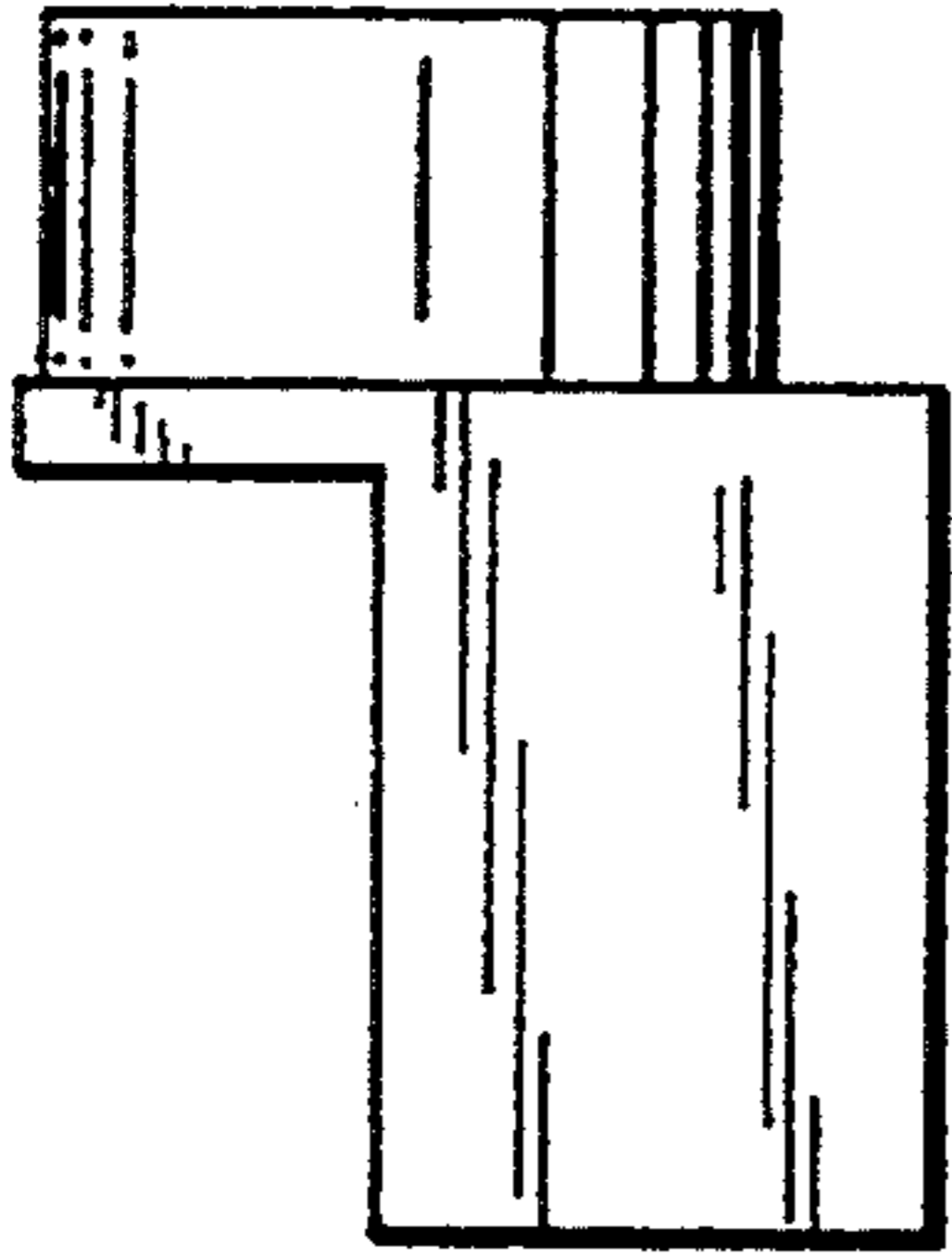
*Fig. 15*



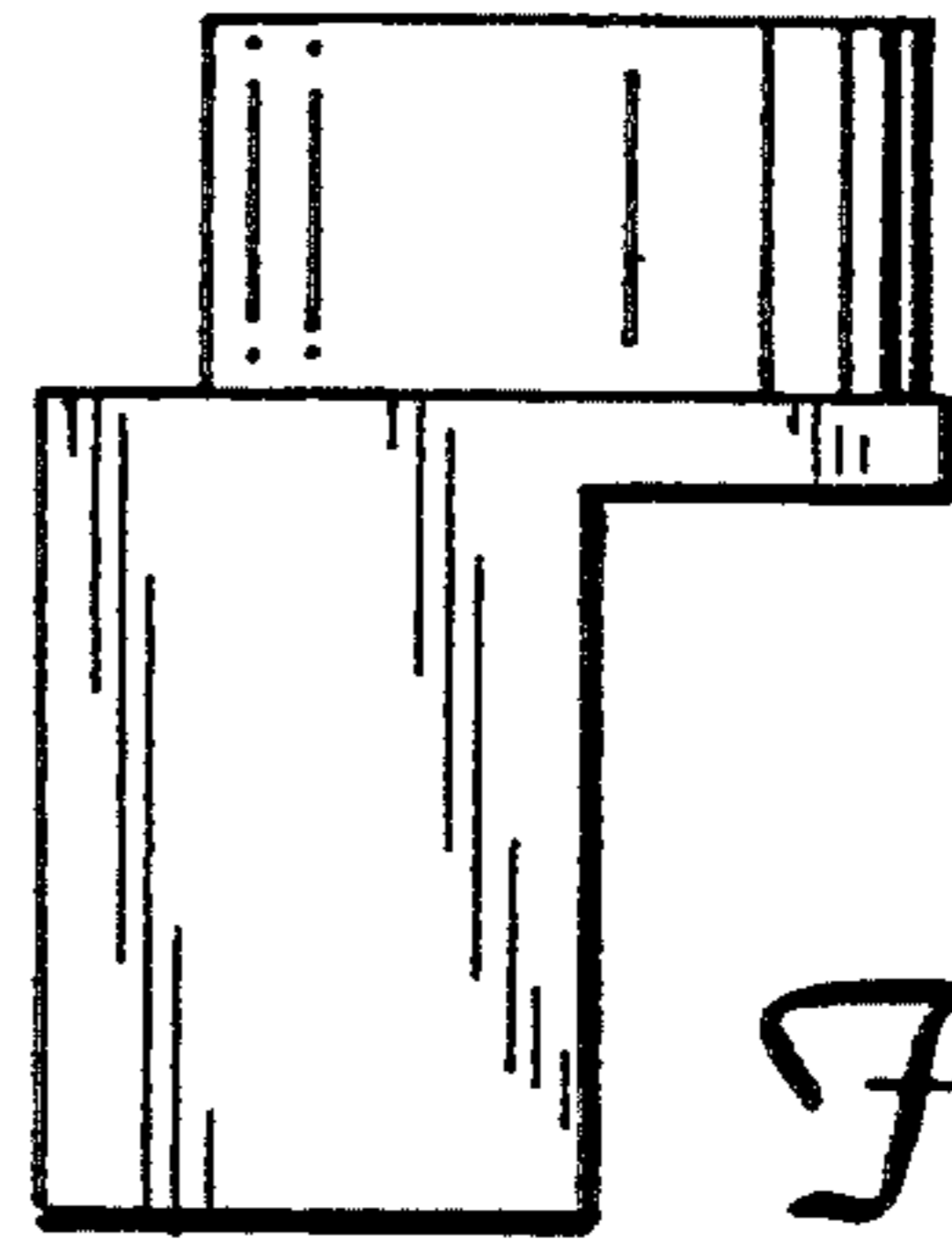
*Fig. 16*



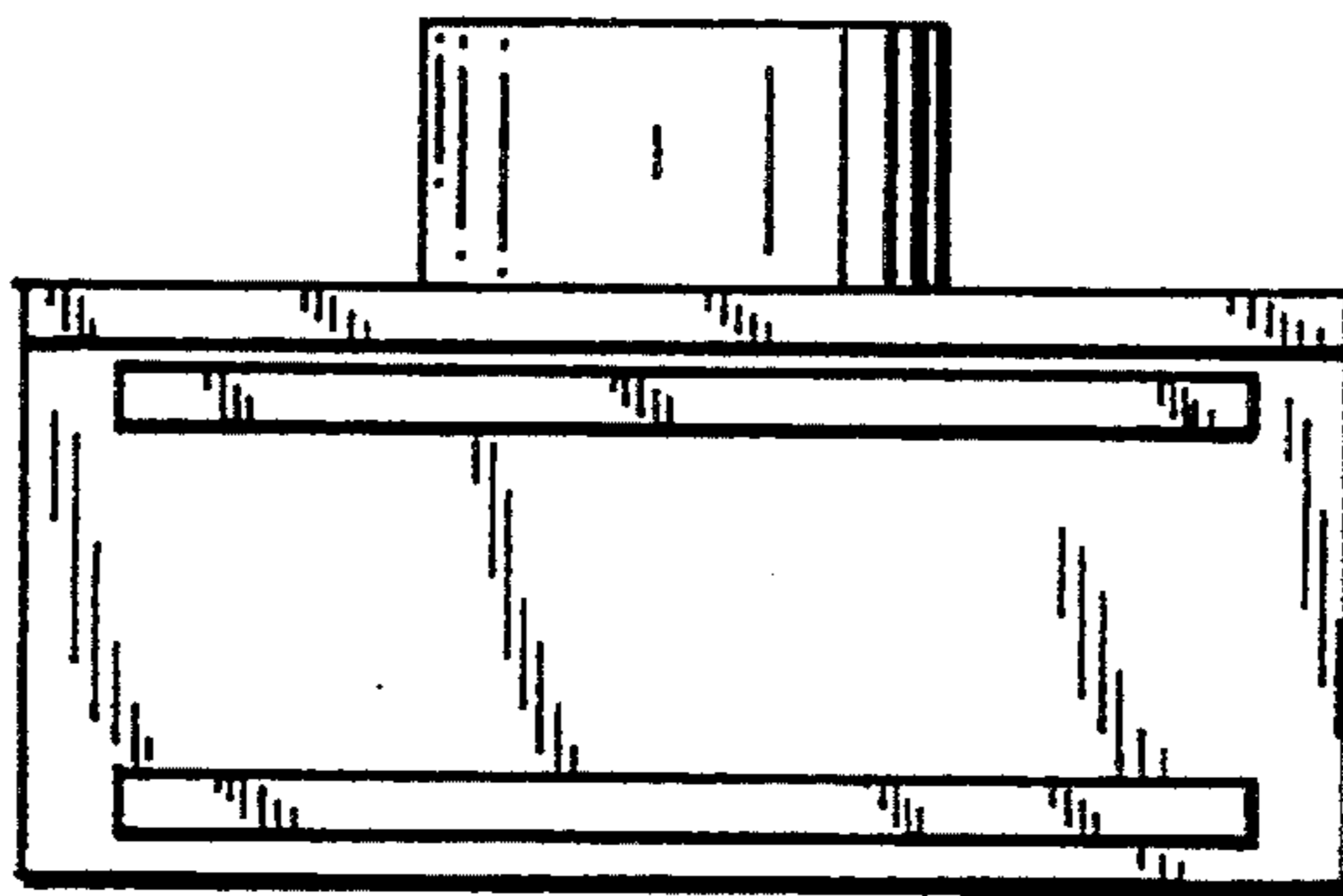
*Fig. 17*



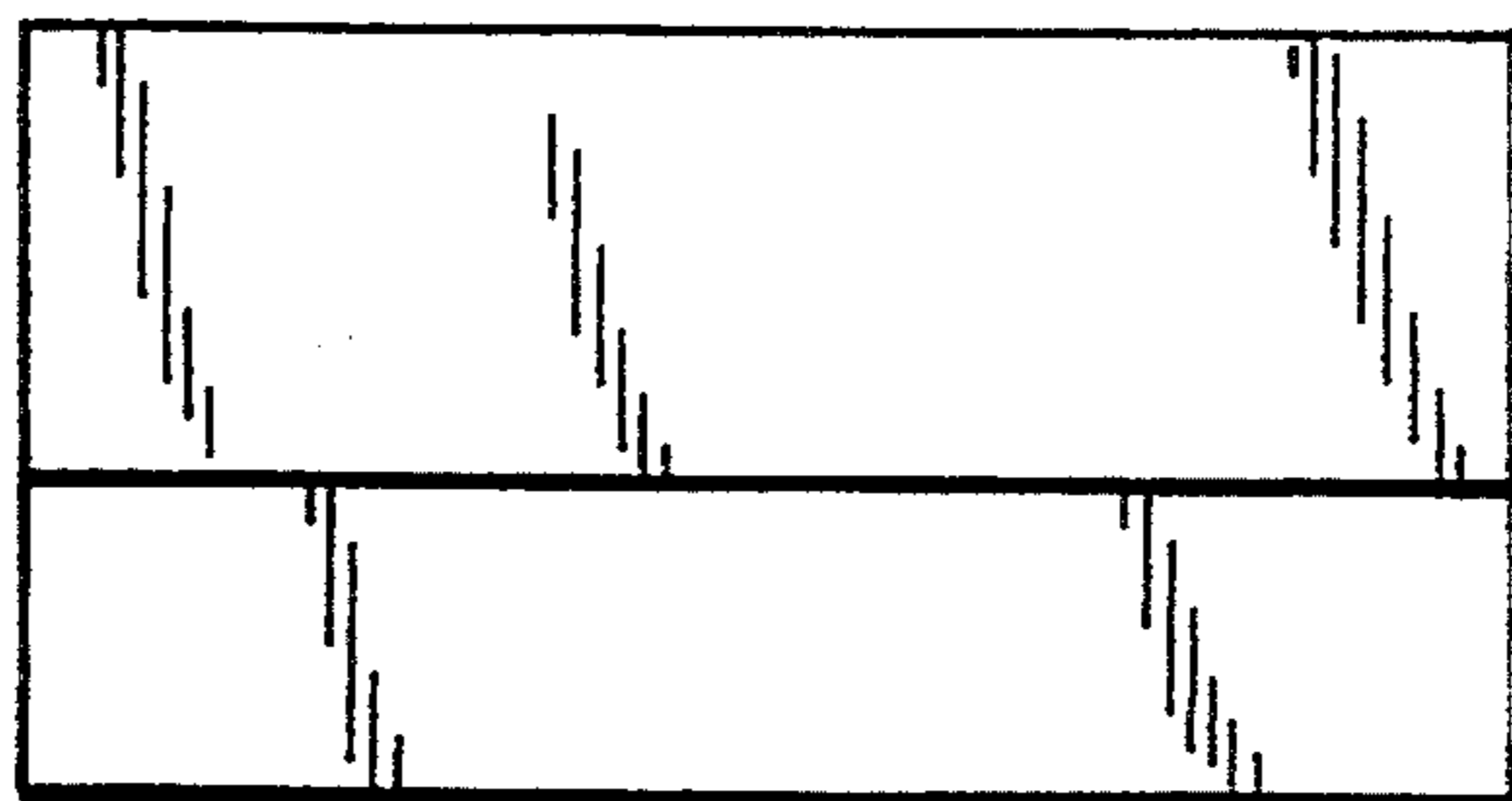
*Fig 18*



*Fig 19*



*Fig 20*



*Fig 21*