



US00D357504S

United States Patent [19]

[11] Patent Number: **Des. 357,504**

Pearson

[45] Date of Patent: **** Apr. 18, 1995**

[54] **PROTECTOR FOR USE ON NEWSPAPER DISPENSERS**

4,756,448 7/1988 Dahl 221/229 X
4,889,221 12/1989 Schlumpf 194/350 X

[76] Inventor: **Delinwood E. Pearson, 3105 Carlton Rd., Richmond, Va. 23223**

Primary Examiner—Terry A. Wallace
Assistant Examiner—Mitchell I. Siegel
Attorney, Agent, or Firm—Terry M. Gernstein

[**] Term: **14 Years**

[57] **CLAIM**

[21] Appl. No.: **15,319**

The ornamental design for a protector for use on newspaper dispensers, as shown and described.

[22] Filed: **Nov. 15, 1993**

[52] U.S. Cl. **D20/8**

DESCRIPTION

[58] Field of Search D20/6, 8; 221/213, 220, 221/227-229, 240, 241; 194/350

FIG. 1 is a front, top and side perspective view of the protector for use on newspaper dispensers showing my new design;

[56] **References Cited**

U.S. PATENT DOCUMENTS

- D. 213,738 4/1969 Andis .
- D. 254,335 2/1980 Hodge .
- D. 263,514 3/1982 Paparella .
- 4,501,379 2/1985 Halone et al. 221/229 X

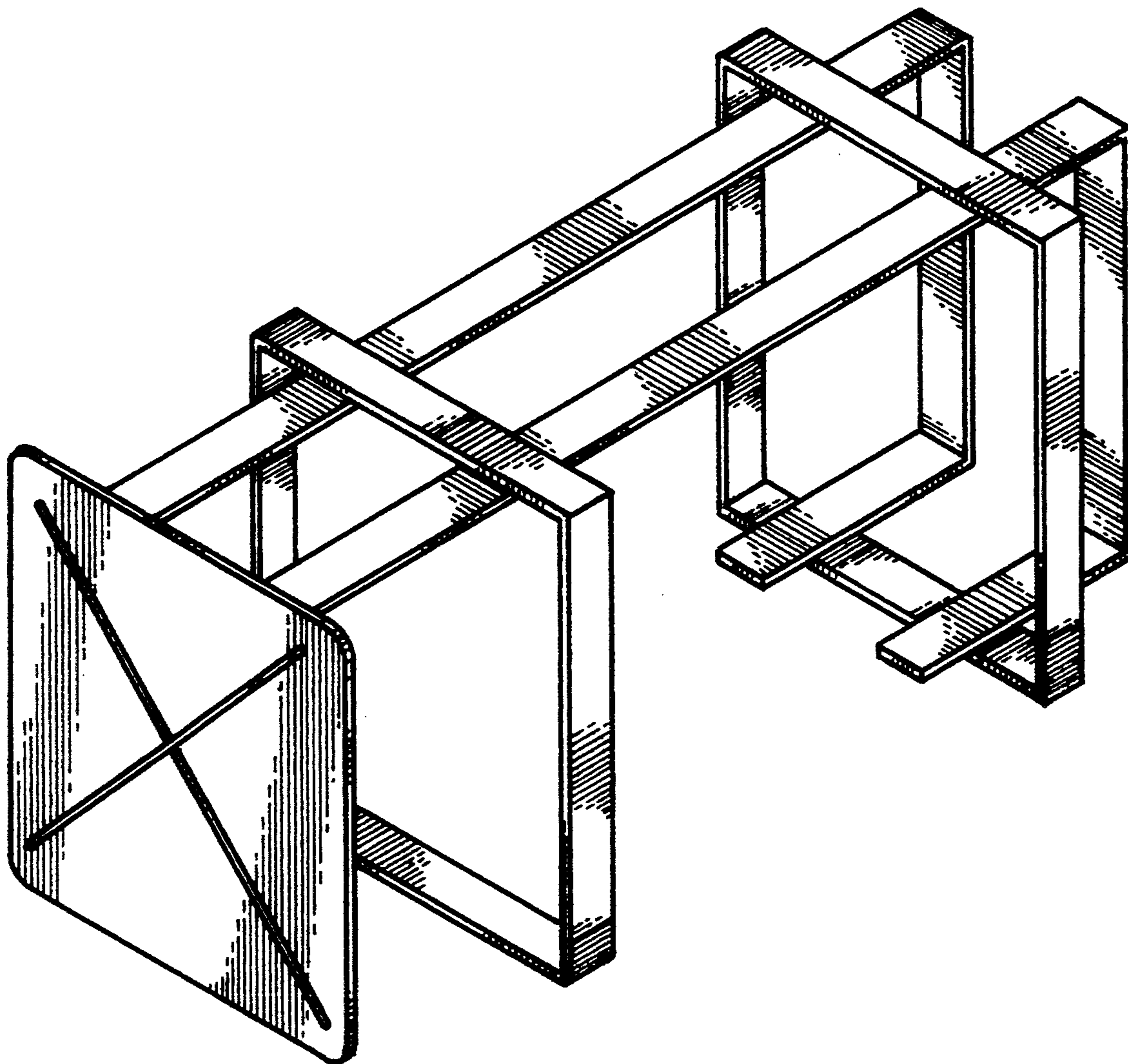
FIG. 2 is a front elevational view thereof;

FIG. 3 is a rear elevational view thereof;

FIG. 4 is a left side elevational view thereof, the undisclosed opposite side being identical;

FIG. 5 is a top plan view thereof; and,

FIG. 6 is a bottom plan view thereof.



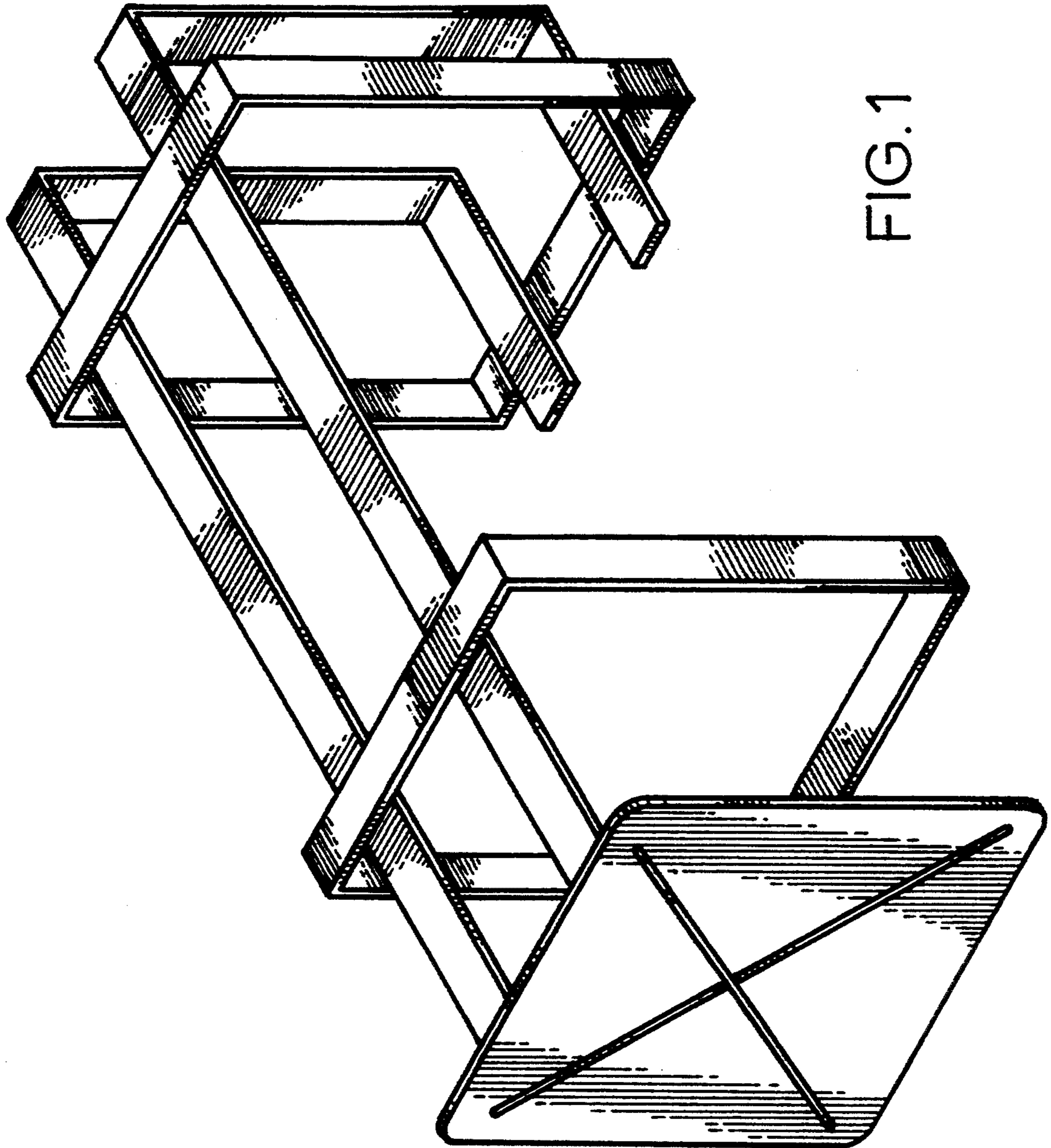


FIG. 1

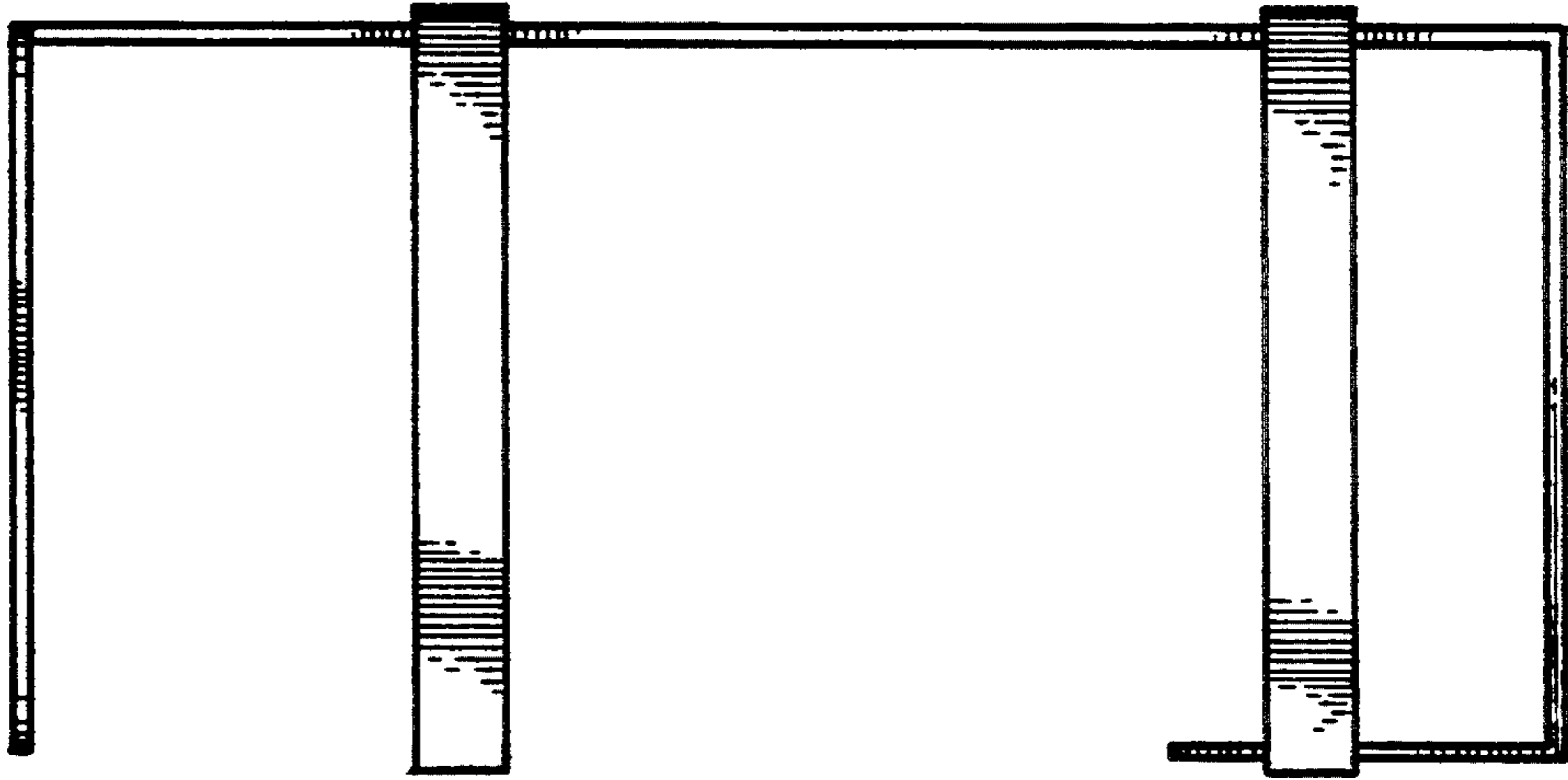


FIG. 4

FIG. 2

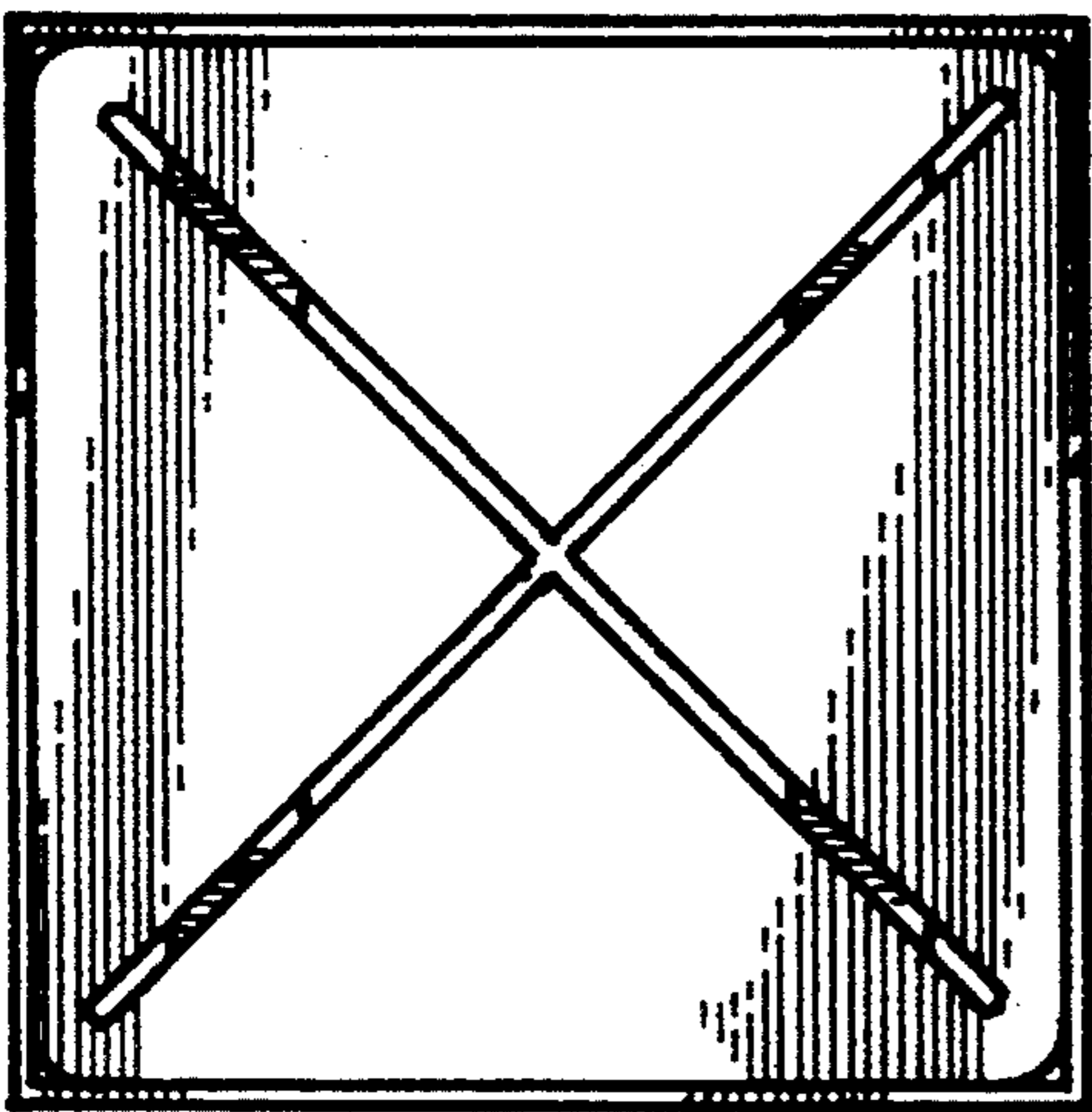


FIG. 3

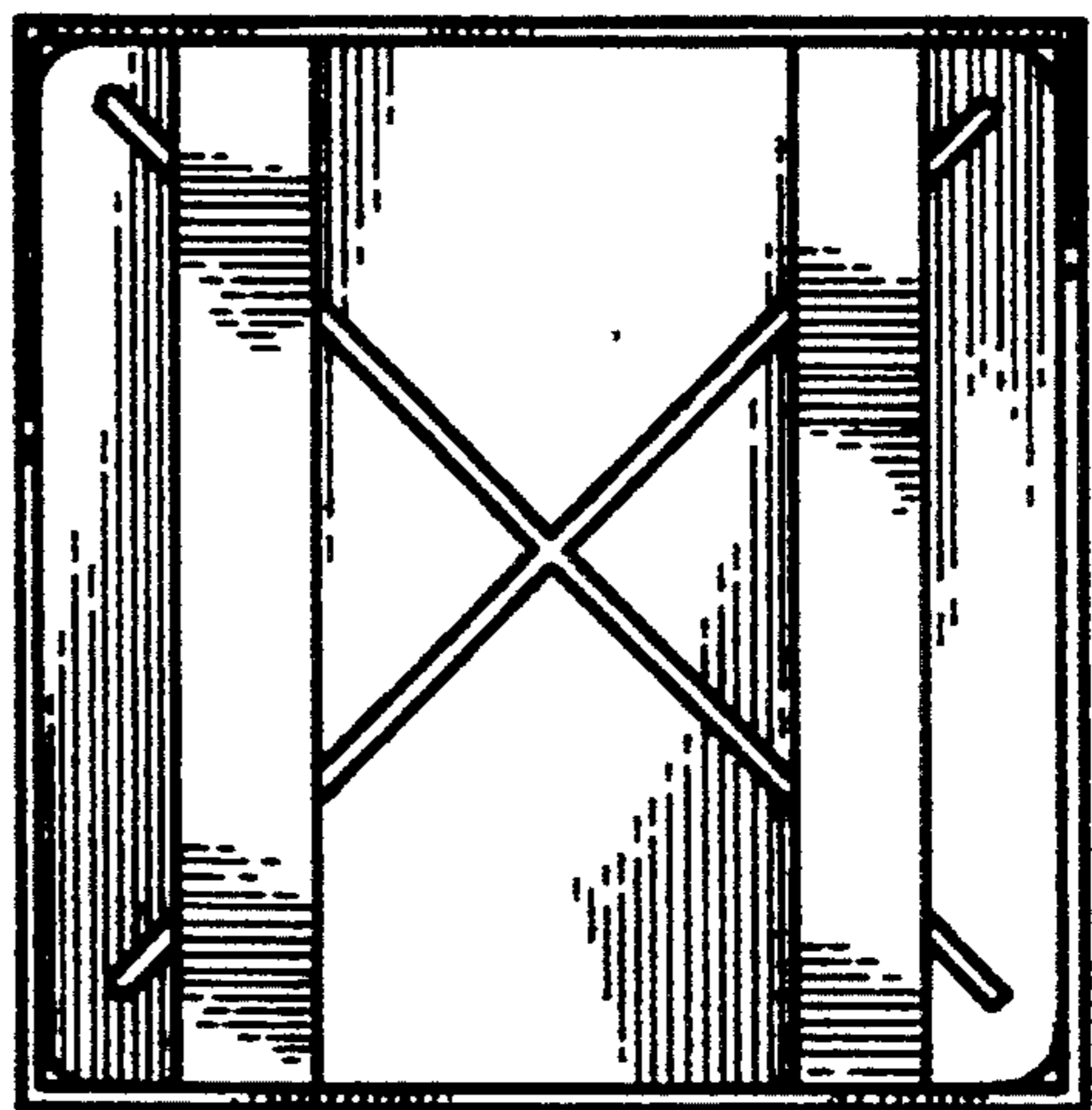


FIG. 5

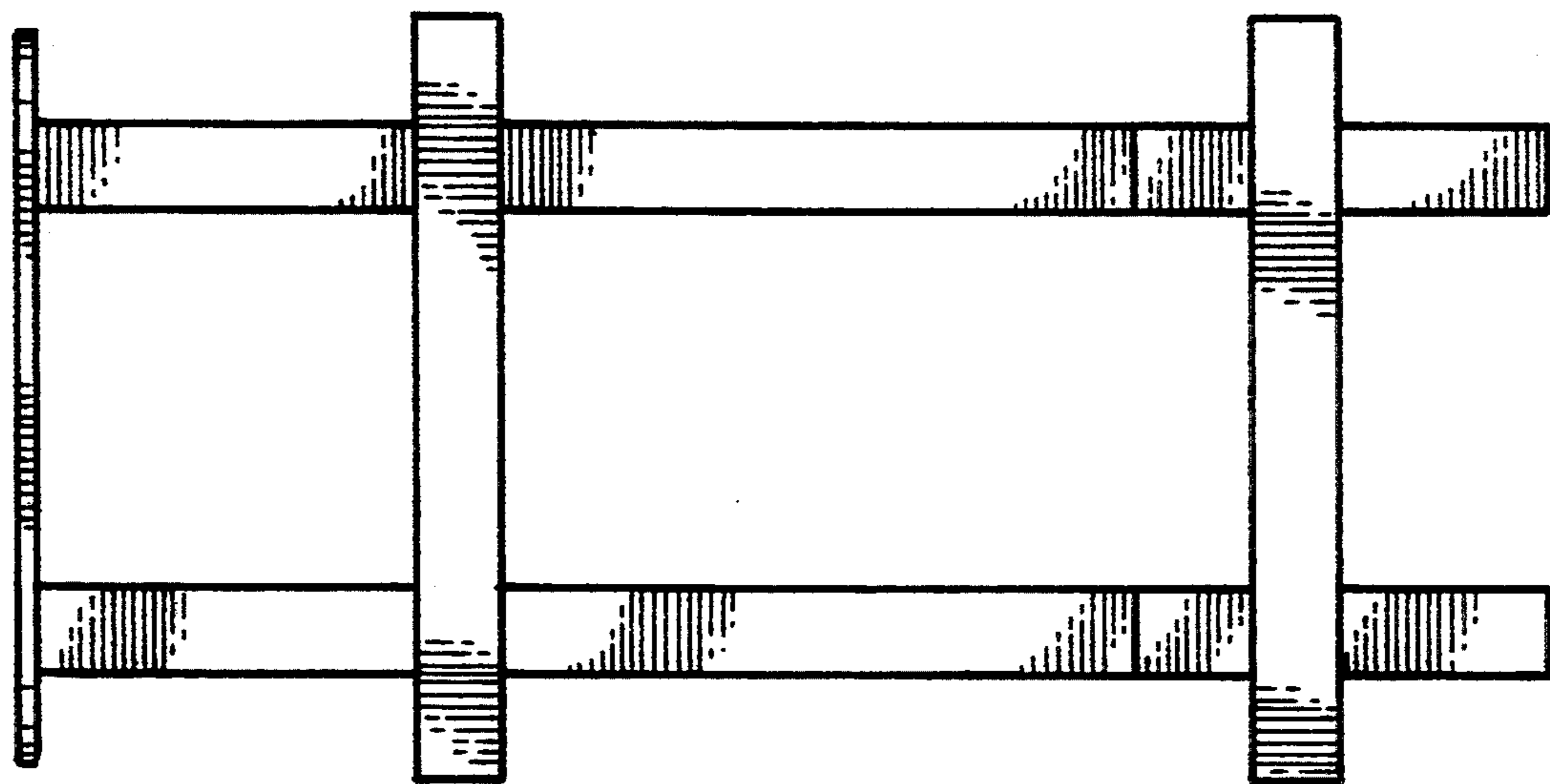
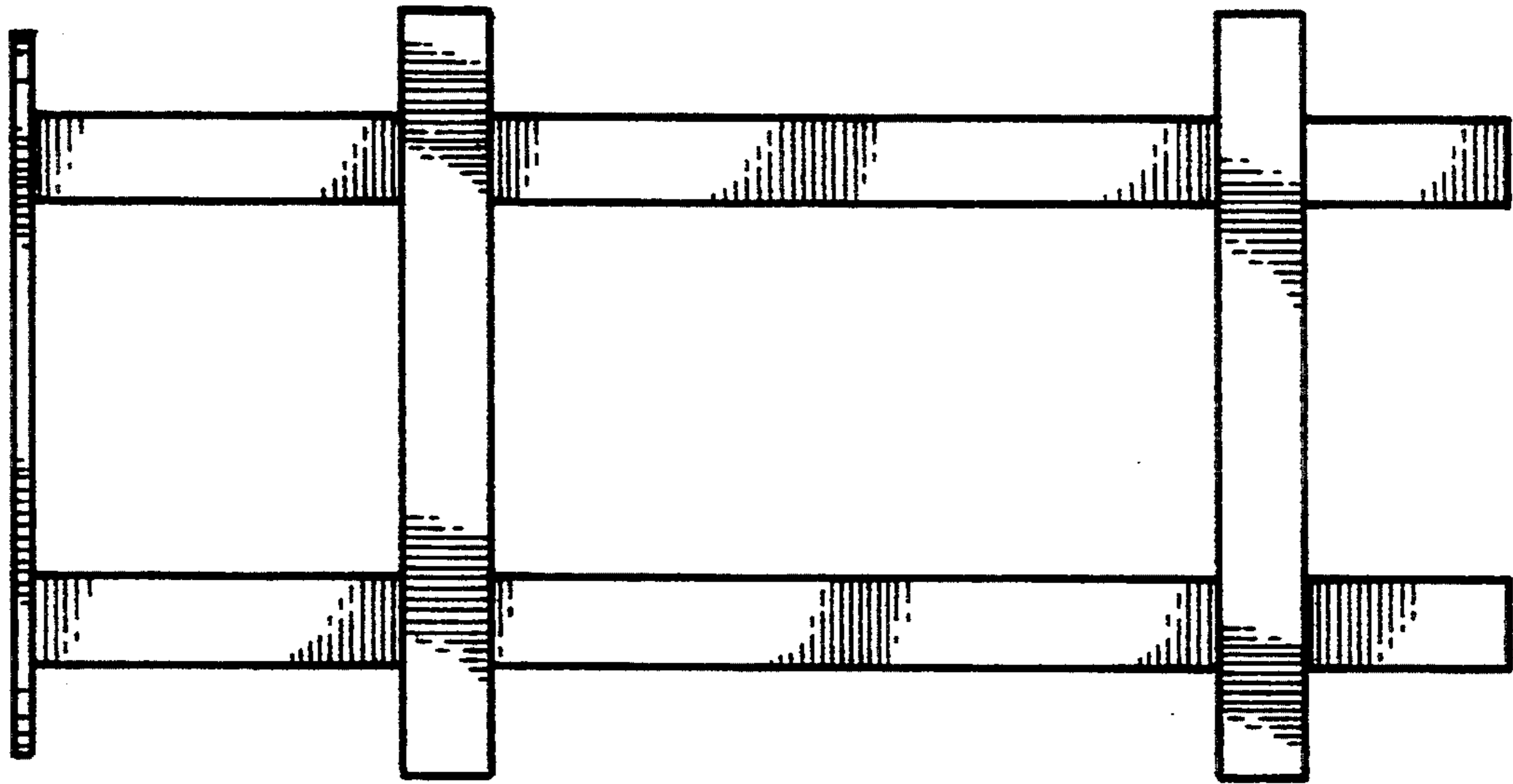


FIG. 6