



US00D357502S

United States Patent [19]

[11] Patent Number: **Des. 357,502**

Schwarz et al.

[45] Date of Patent: **** Apr. 18, 1995**

[54] **HAND HELD TAPE APPLICATOR**

4,238,272 12/1980 Schleicher 156/527

[75] Inventors: **Edward J. Schwarz**, Maplewood;
Craig D. Thompson, Inver Grove Heights, both of Minn.; **Robert A. Luhman**, New Richmond, Wis.

OTHER PUBLICATIONS

Scotch Brand Filament Tape Hand Dispensers Brochure prior to Jan. 4, 1993, see item Nos. H-10, H-12, H-120, H-130, H-131, H-133 and H-140.

[73] Assignee: **Minnesota Mining and Manufacturing Company**, St. Paul, Minn.

Primary Examiner—Martie Thompson
Attorney, Agent, or Firm—Gary L. Griswold; Walter N. Kirn; Mark W. Binder

[**] Term: **14 Years**

[57] CLAIM

[21] Appl. No.: **17,049**

The ornamental design for a hand held tape applicator, as shown and described.

[22] Filed: **Jan. 5, 1994**

[52] U.S. Cl. **D19/69; D19/67**

DESCRIPTION

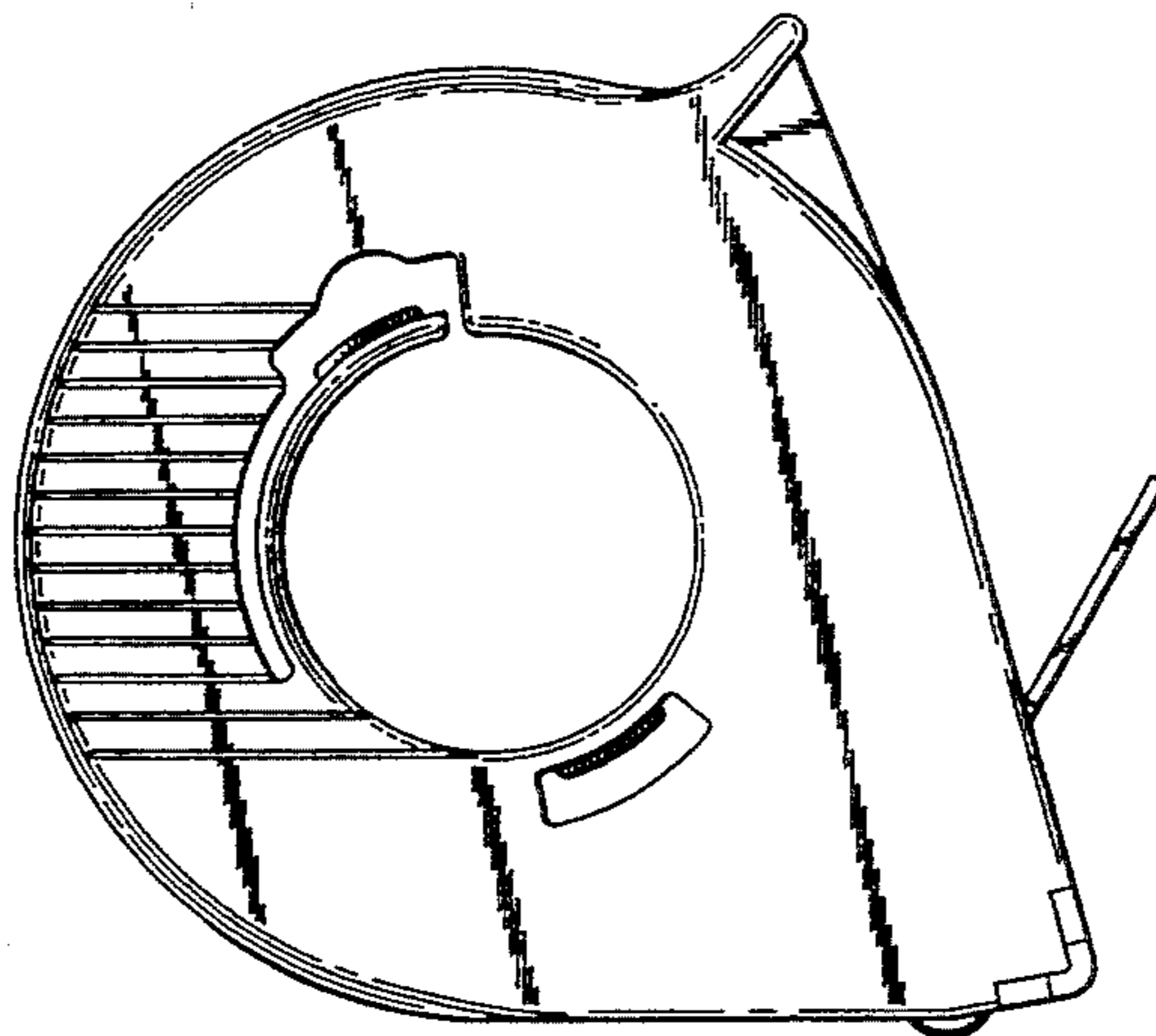
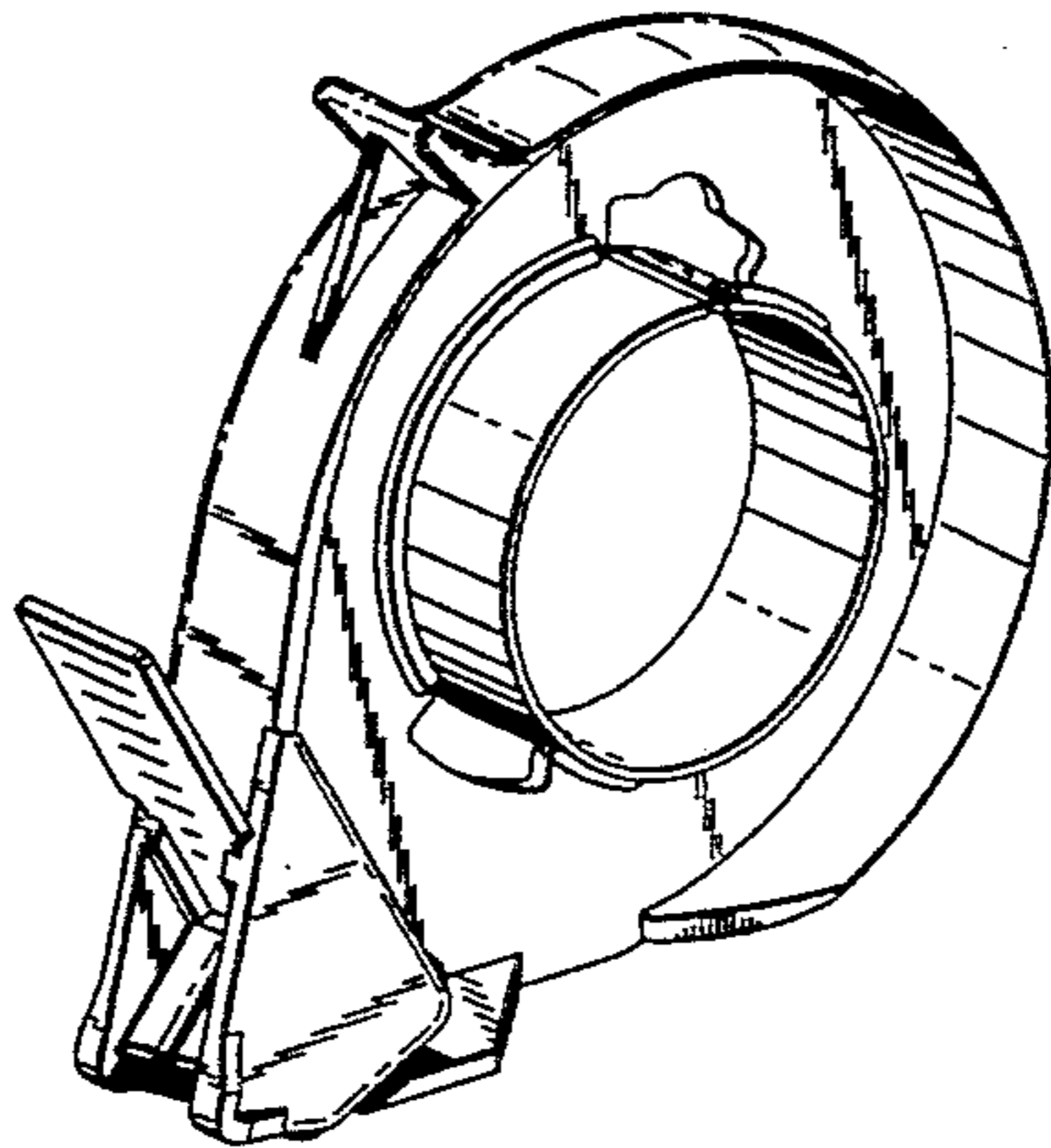
[58] Field of Search **D19/65, 67, 68, 69, D19/99, 100; 225/6, 7, 19, 21, 24, 34, 35, 45, 51, 56, 65, 77, 89; 156/510, 523, 527, 324; 206/389, 813**

FIG. 1 is a perspective view of one embodiment of a hand held tape applicator showing our new design; FIG. 2 is a front elevational view thereof; FIG. 3 is a back elevational view thereof; FIG. 4 is a right side elevational view thereof; FIG. 5 is a bottom plan view thereof; FIG. 6 is a top plan view thereof; FIG. 7 is a left side elevational view thereof; FIG. 8 is a left side elevational view of a second embodiment of our new design, wherein an applicator pad has been substituted for the applicator roller of the first embodiment; FIG. 9 is a front elevational view of FIG. 8; and, FIG. 10 is a bottom plan view of FIG. 8.

[56] References Cited

U.S. PATENT DOCUMENTS

D. 179,091	10/1956	Pangburn	D19/69
D. 197,935	4/1964	Sherman	D19/69
D. 338,493	8/1993	Mead	D19/69
3,125,263	3/1964	Harbour	156/523
3,187,968	6/1965	Favre	225/56
3,216,634	11/1965	Lausa	225/19
3,351,511	11/1967	Petterson	156/527
3,895,059	7/1975	Link	156/527



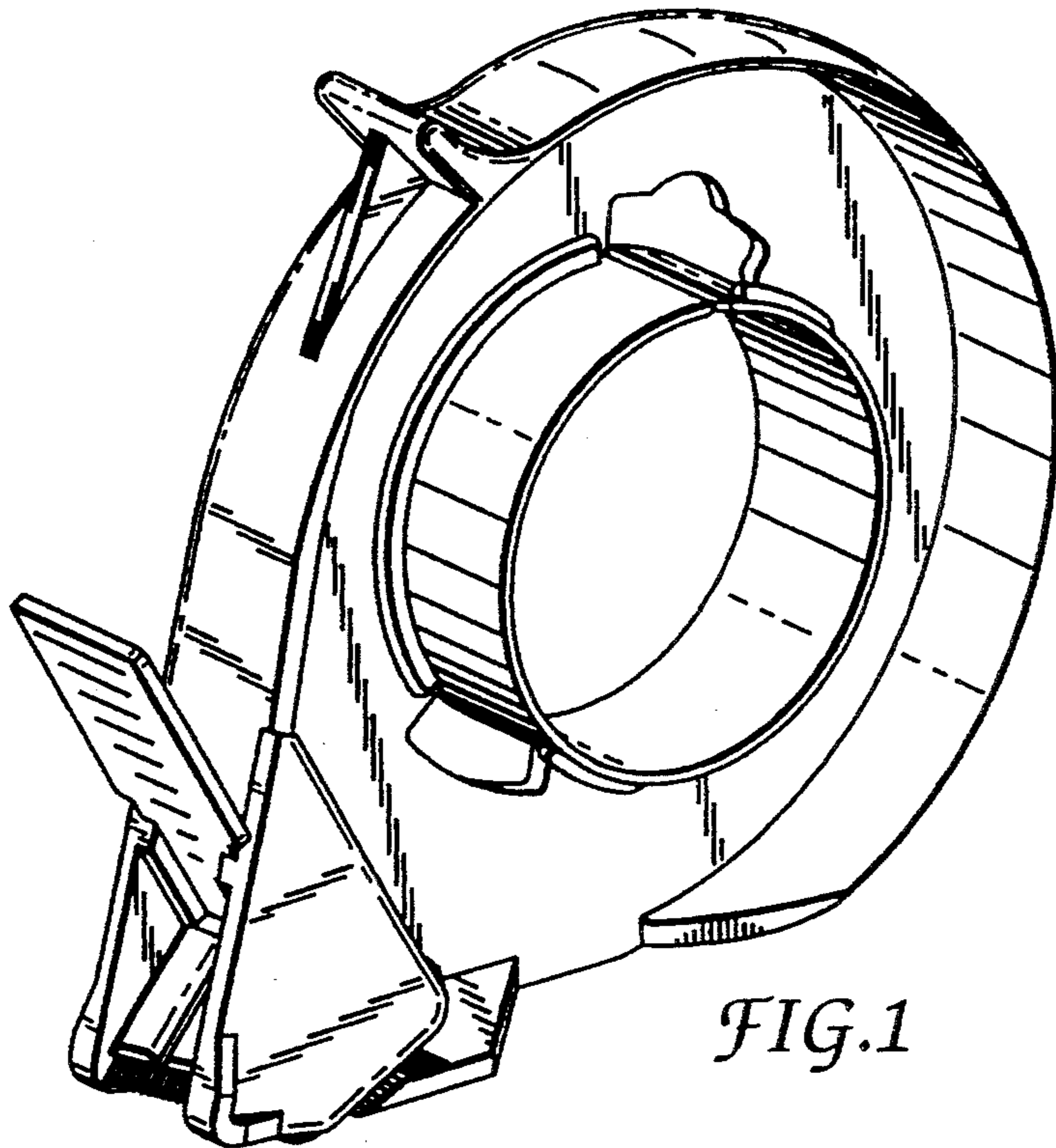


FIG. 1

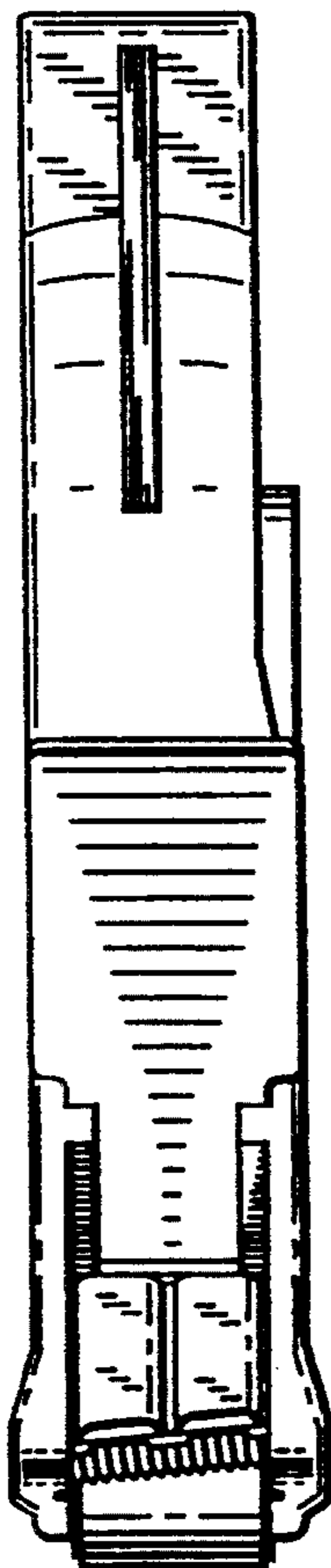


FIG. 2

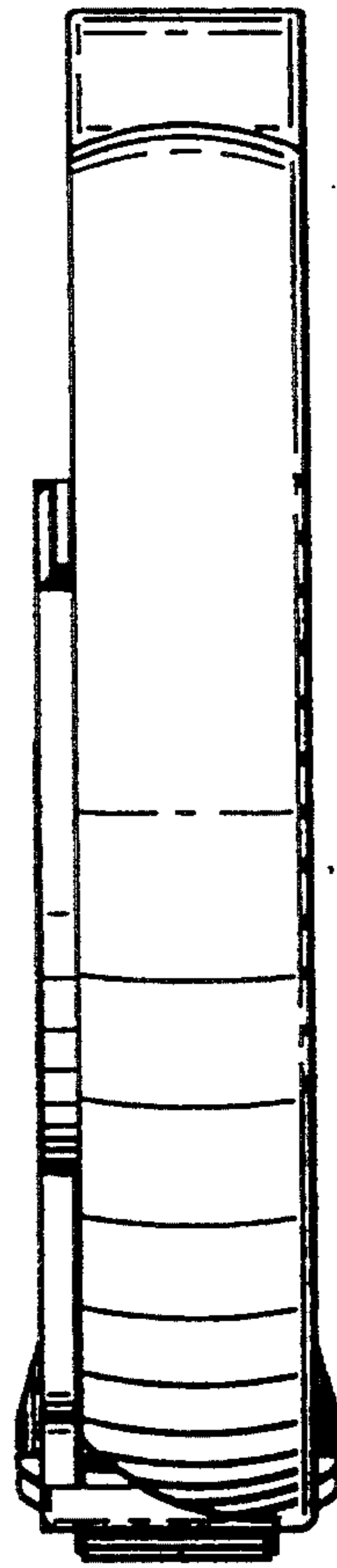


FIG. 3

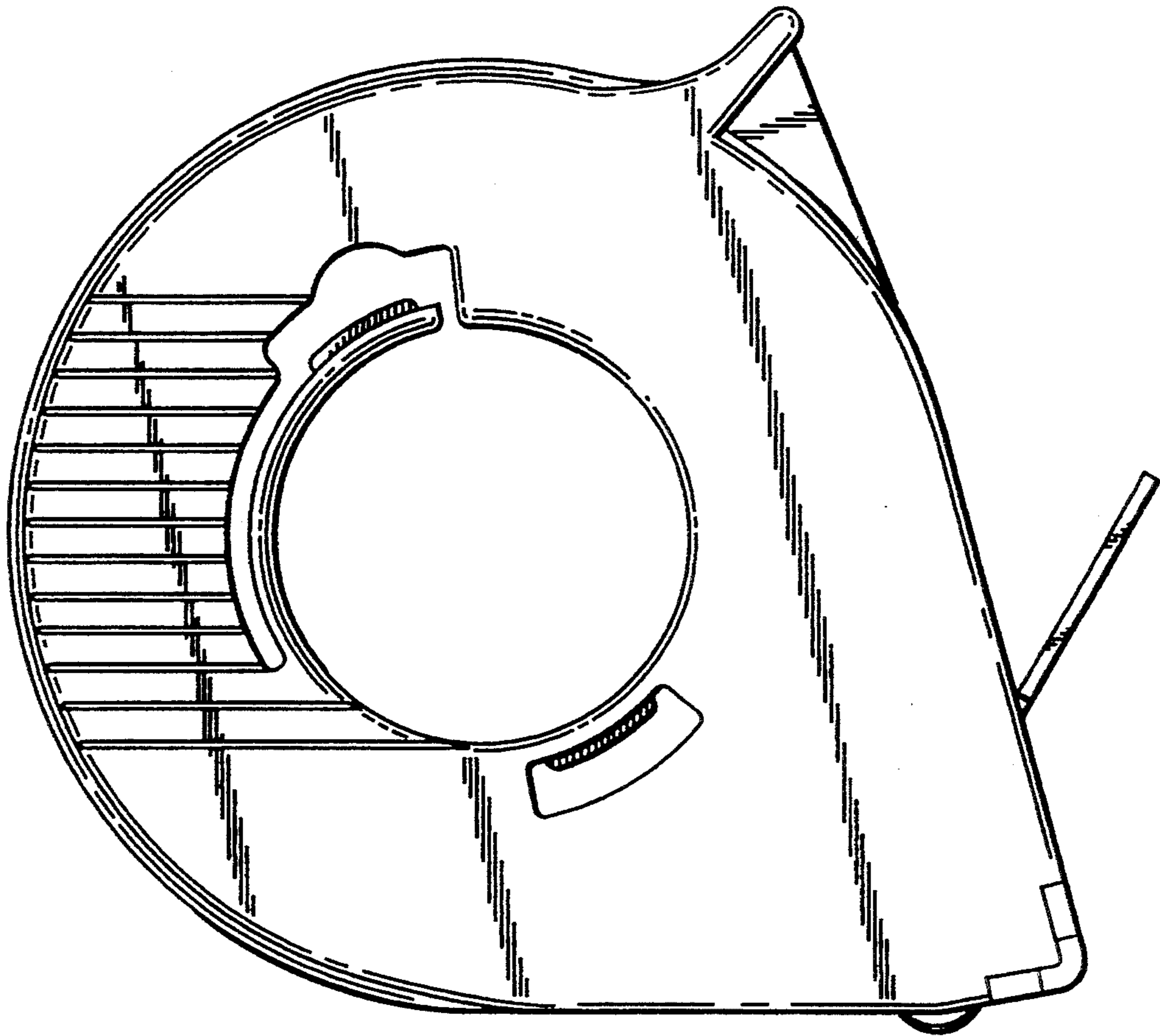


FIG. 4

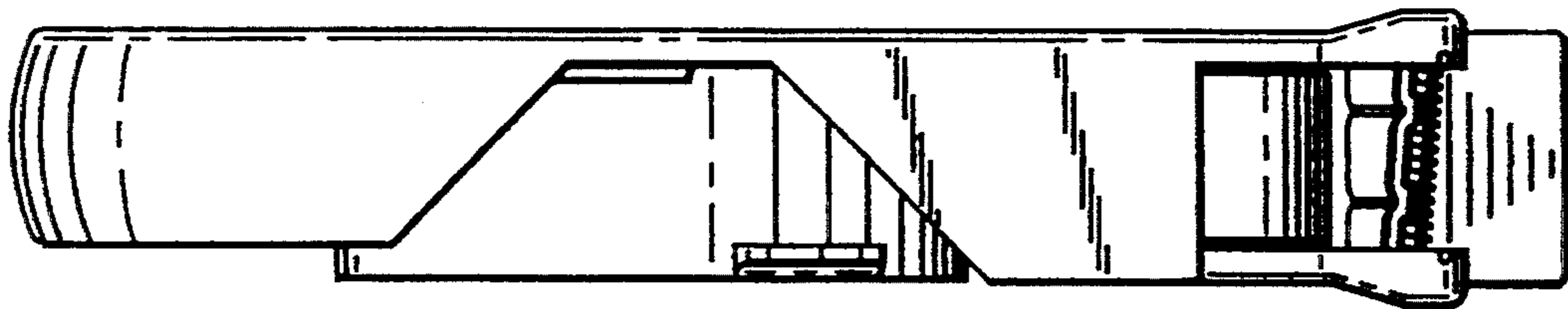


FIG. 5

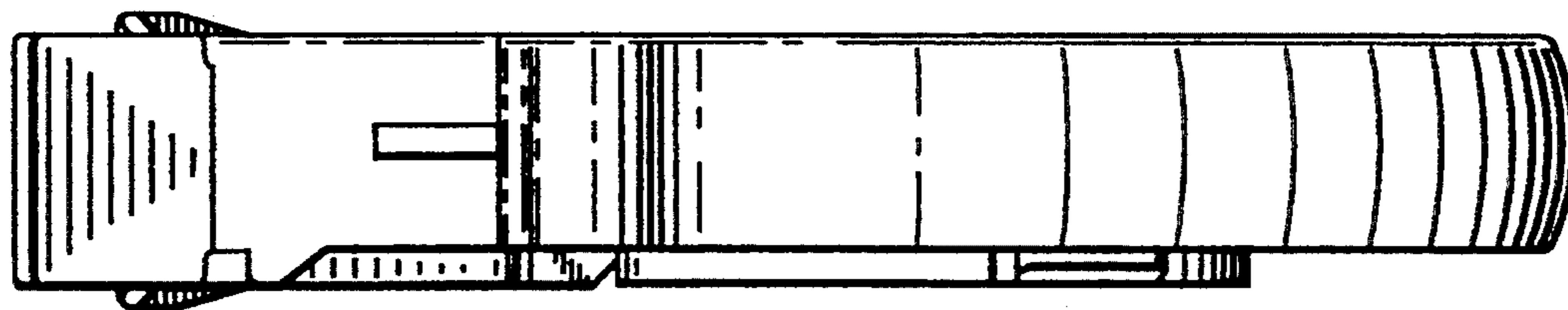


FIG. 6

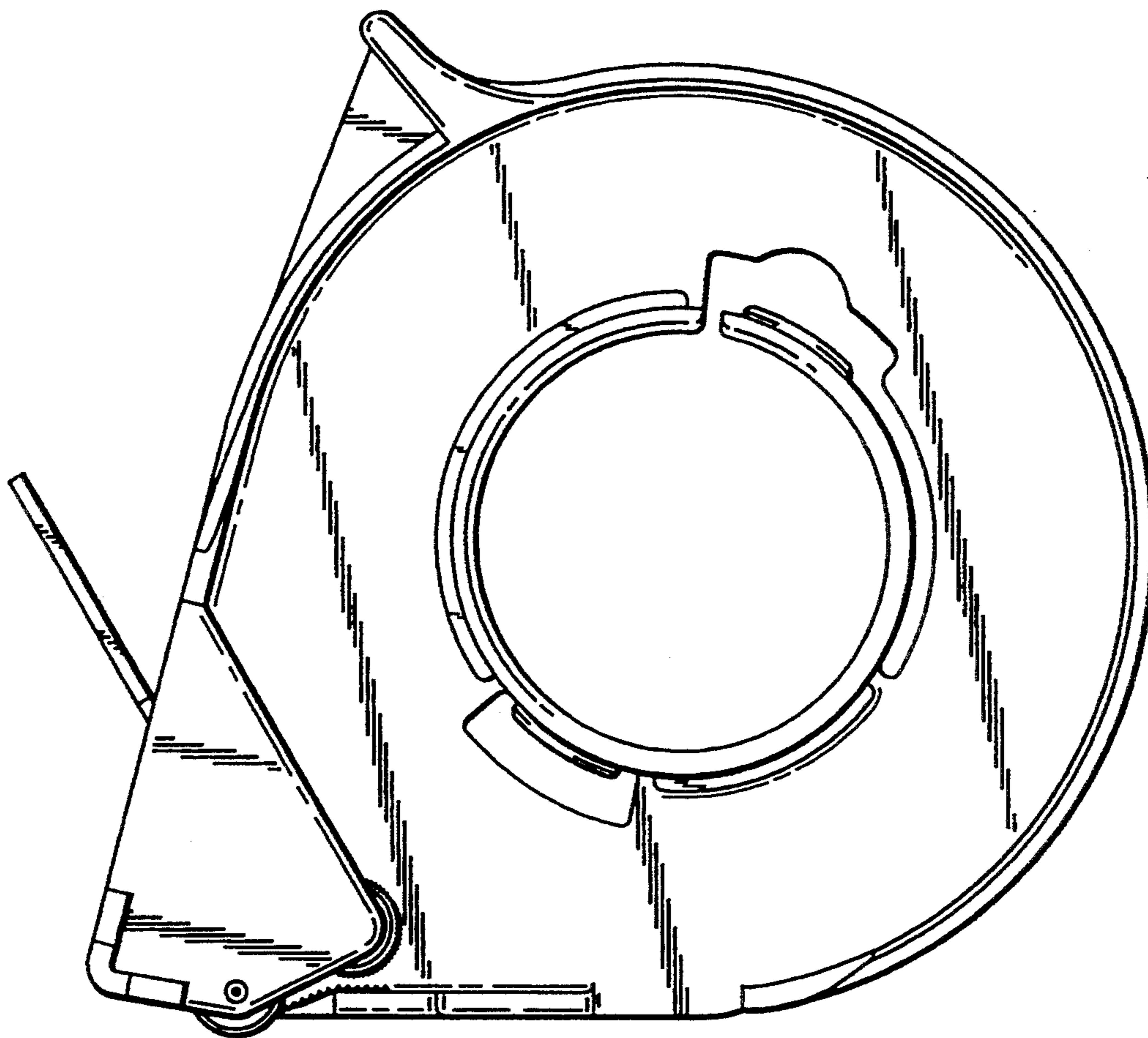


FIG. 7

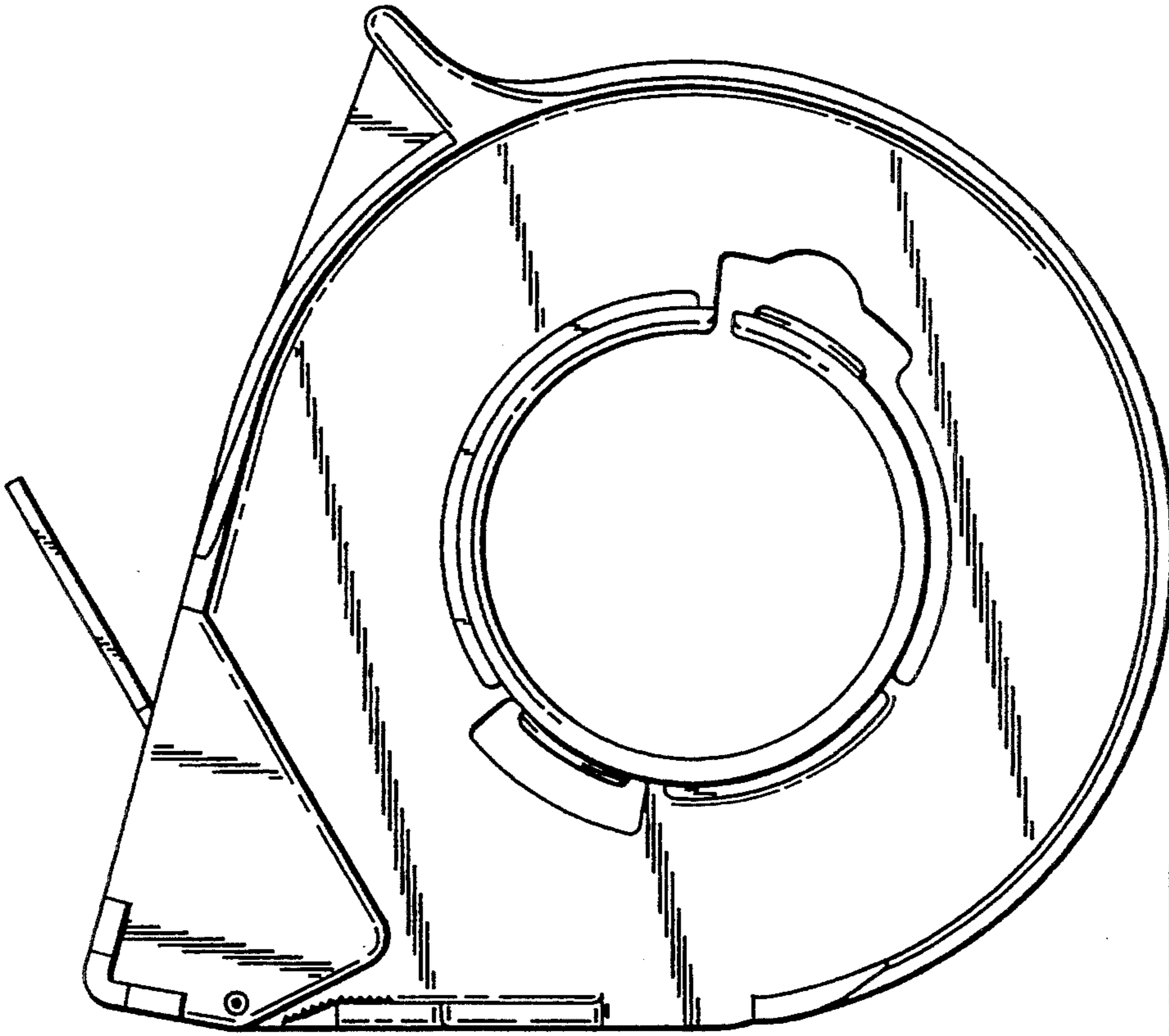


FIG. 8

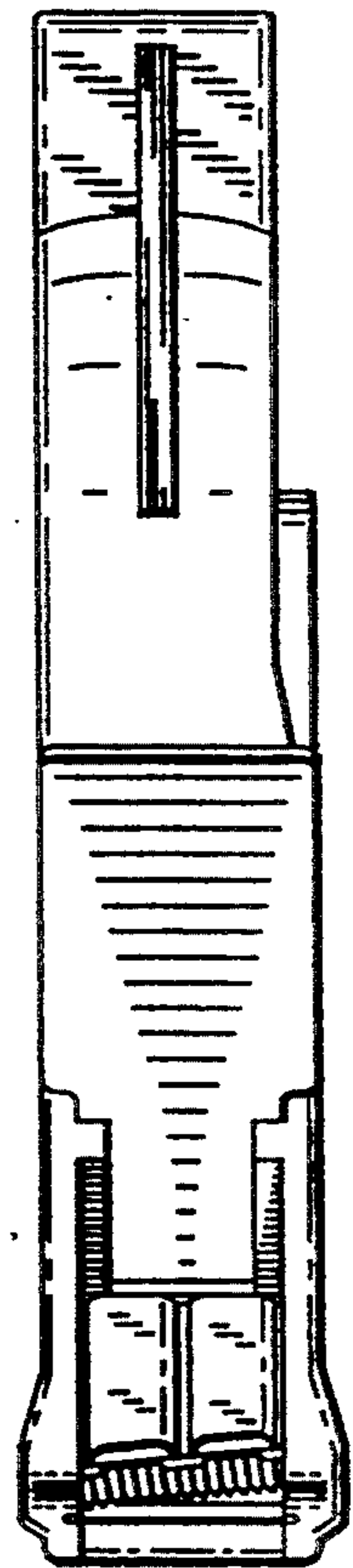


FIG. 9

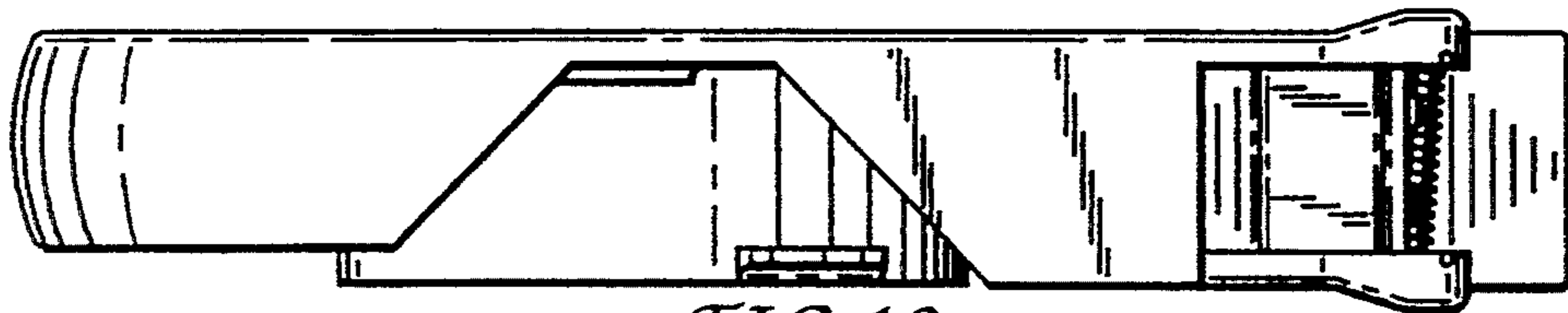


FIG. 10