



US00D357499S

United States Patent [19]

[11] Patent Number: **Des. 357,499**

Karafuji et al.

[45] Date of Patent: **** Apr. 18, 1995**

[54] OFFSET PRINTING MACHINE

[75] Inventors: **Nobuhiko Karafuji, Tokyo; Hideo Aoyama, Hiroshima, both of Japan**

[73] Assignee: **Ryobi, Ltd., Hiroshima, Japan**

[*] Notice: The portion of the term of this patent subsequent to Sep. 13, 2008 has been disclaimed.

[**] Term: **14 Years**

[21] Appl. No.: **13,083**

[22] Filed: **Sep. 17, 1993**

[30] Foreign Application Priority Data

Mar. 17, 1993 [JP] Japan 5-7772

[52] U.S. Cl. **D18/53**

[58] Field of Search **D18/53; 101/136-137, 101/141-142, 177, 183-184, 217**

[56] References Cited

U.S. PATENT DOCUMENTS

- D. 265,210 6/1982 Hitaishi et al. D18/53
- D. 277,767 2/1985 Sakamoto et al. D18/53
- D. 324,538 3/1992 Maehara et al. D18/53
- D. 324,696 3/1992 Doi et al. D18/53

FOREIGN PATENT DOCUMENTS

57-14181 4/1982 Japan D18/.

OTHER PUBLICATIONS

Roybi 500K advertisement in Lithoweek; Oct. 7, 1987; p. 44 back cover.
 Roybi 530 advertisement in Lithoweek; Nov. 25, 1987; p. 2.
 Lithoweek; Nov. 11, 1987; p. 22; Soag advertisement Dominant A3 Press.

Primary Examiner—Cathy Anne MacCormac
Attorney, Agent, or Firm—Sughrue, Mion, Zinn, Macpeak & Seas

[57] CLAIM

The ornamental design for an offset printing machine, as shown and described.

DESCRIPTION

FIG. 1 is a front, and right side perspective view of an offset printing machine showing our new design; FIG. 2 is a top plan view thereof; FIG. 3 is a front elevational view thereof; FIG. 4 is a rear elevational view thereof; FIG. 5 is a right side elevational view thereof; and, FIG. 6 is a left side elevational view thereof. The bottom is unadorned.

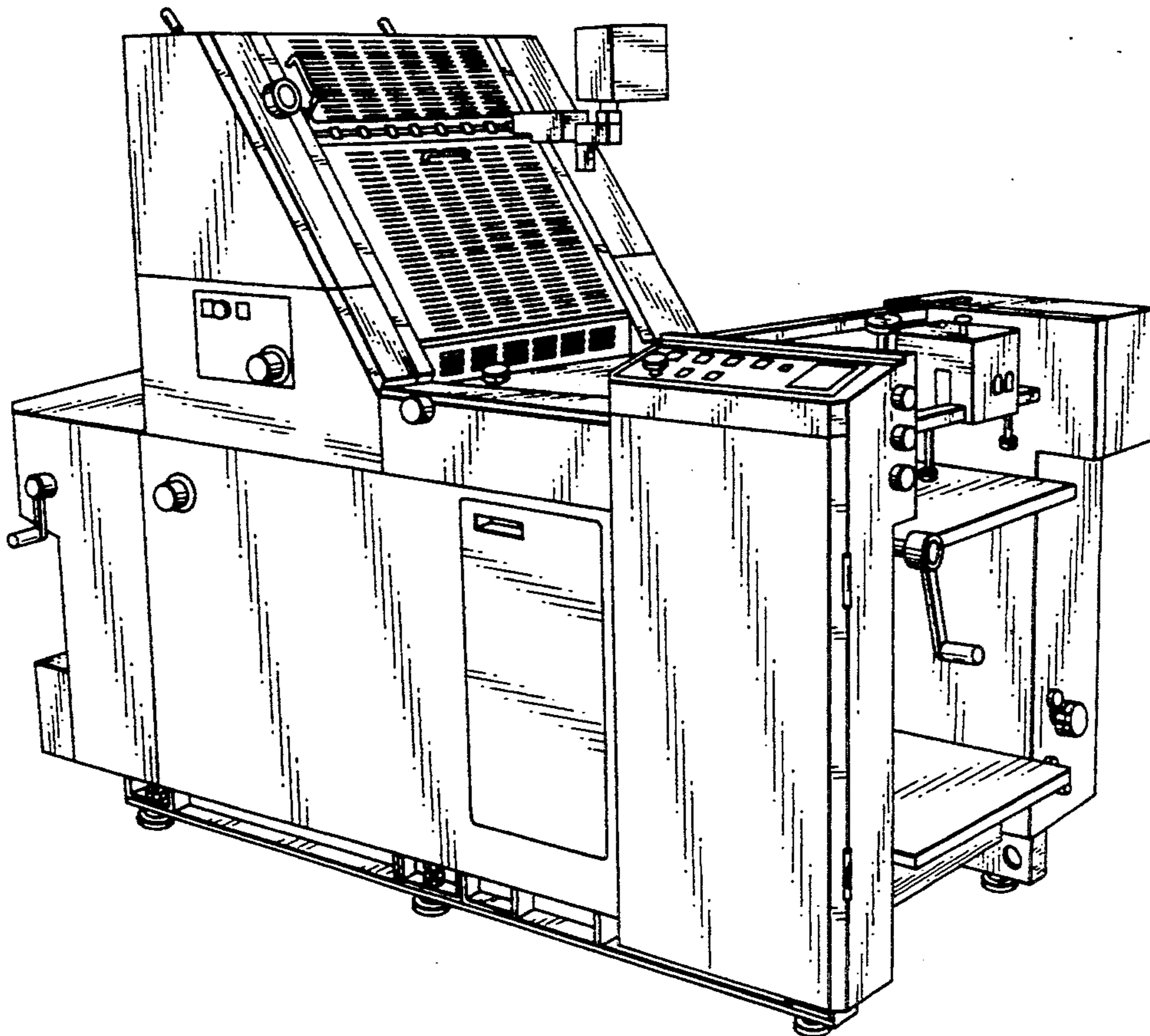


FIG. 1

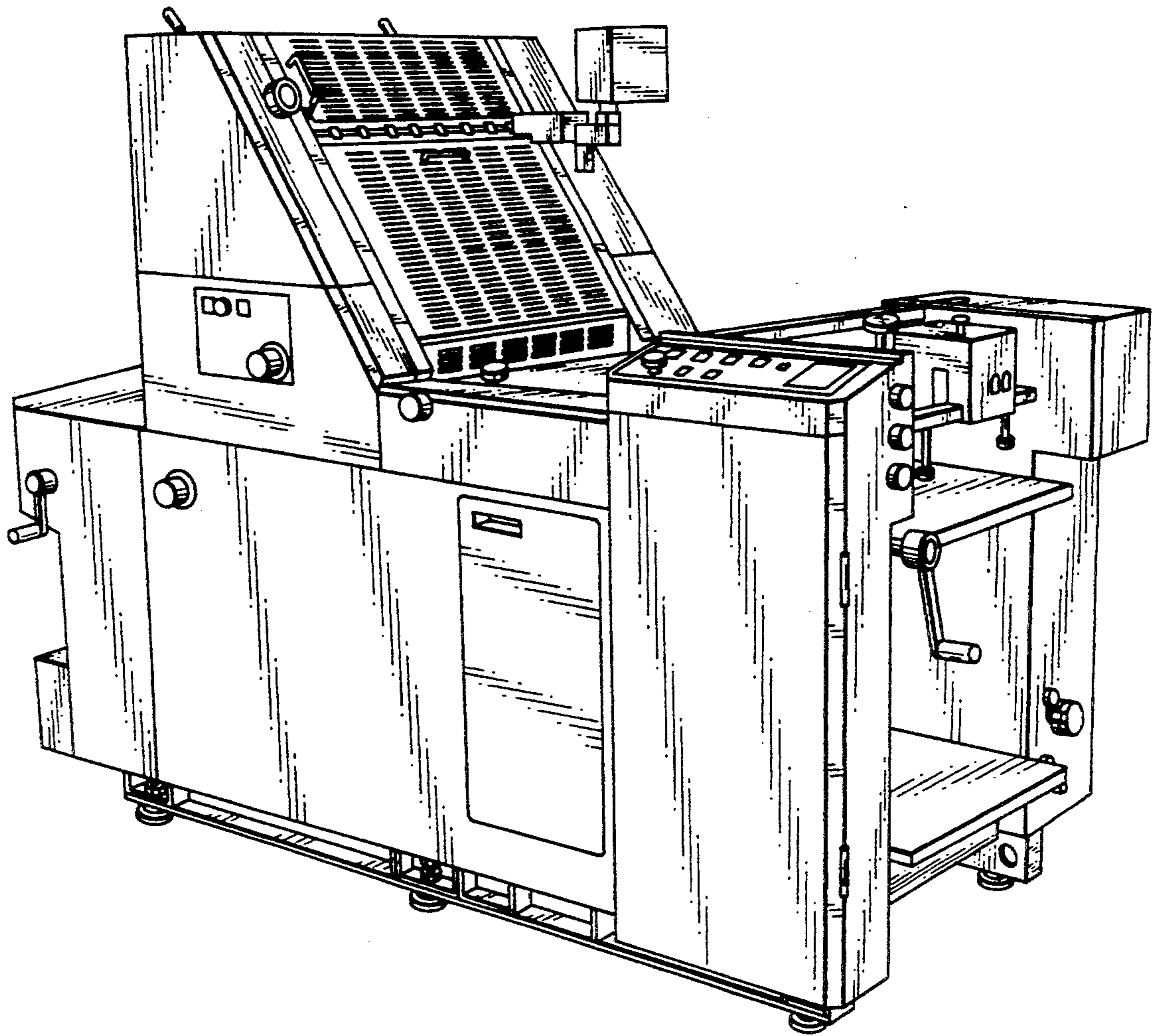


FIG. 2

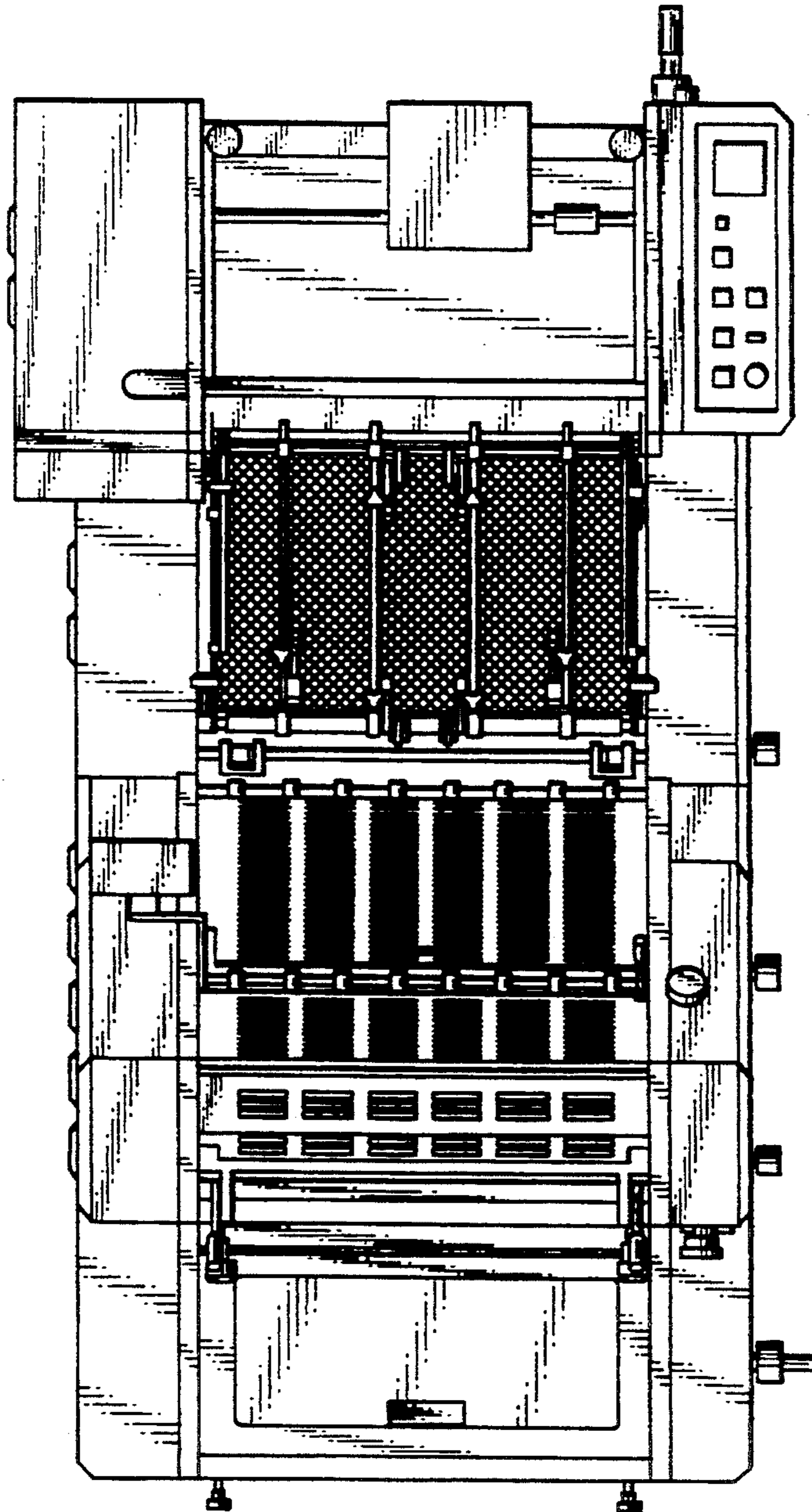


FIG. 3

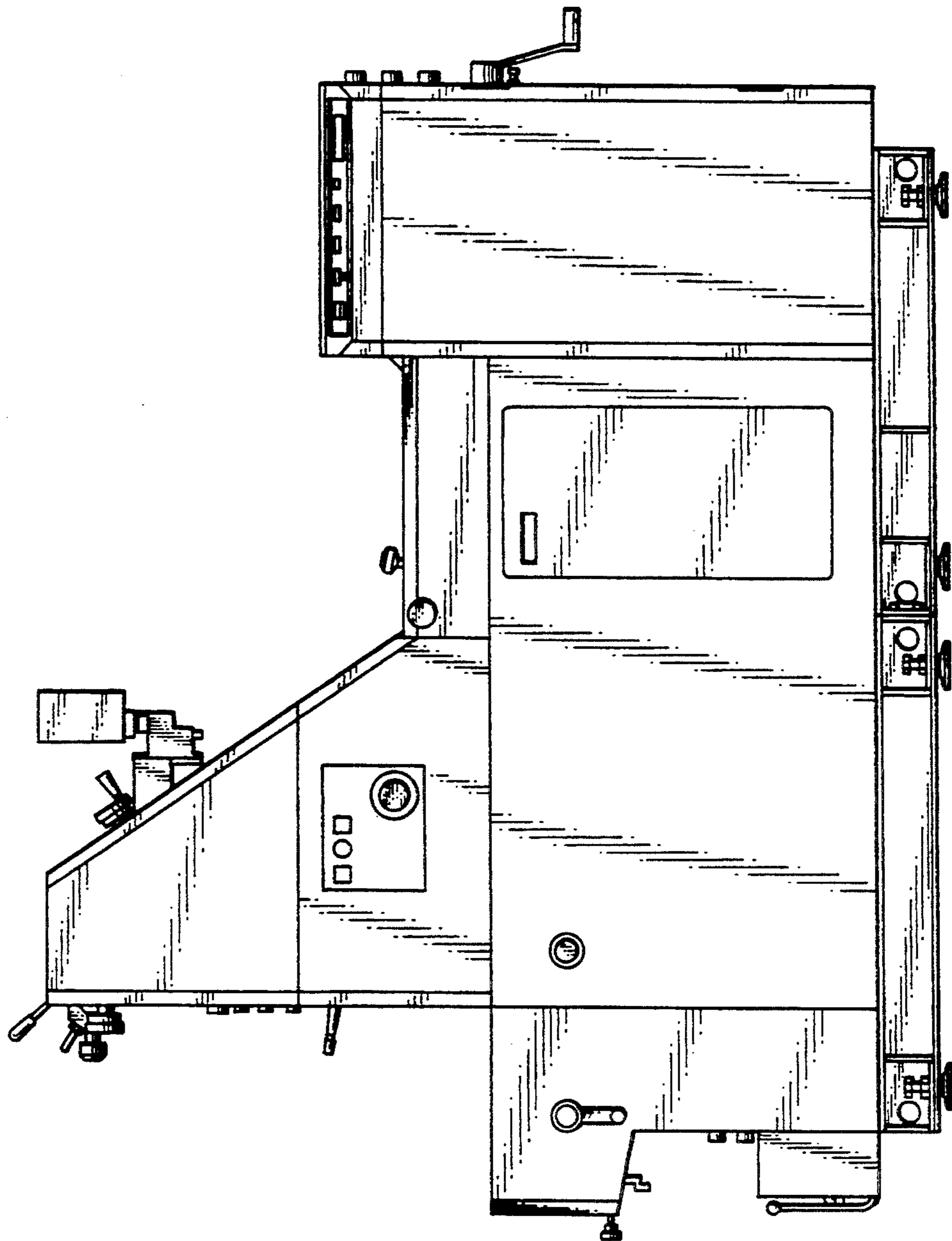


FIG. 4

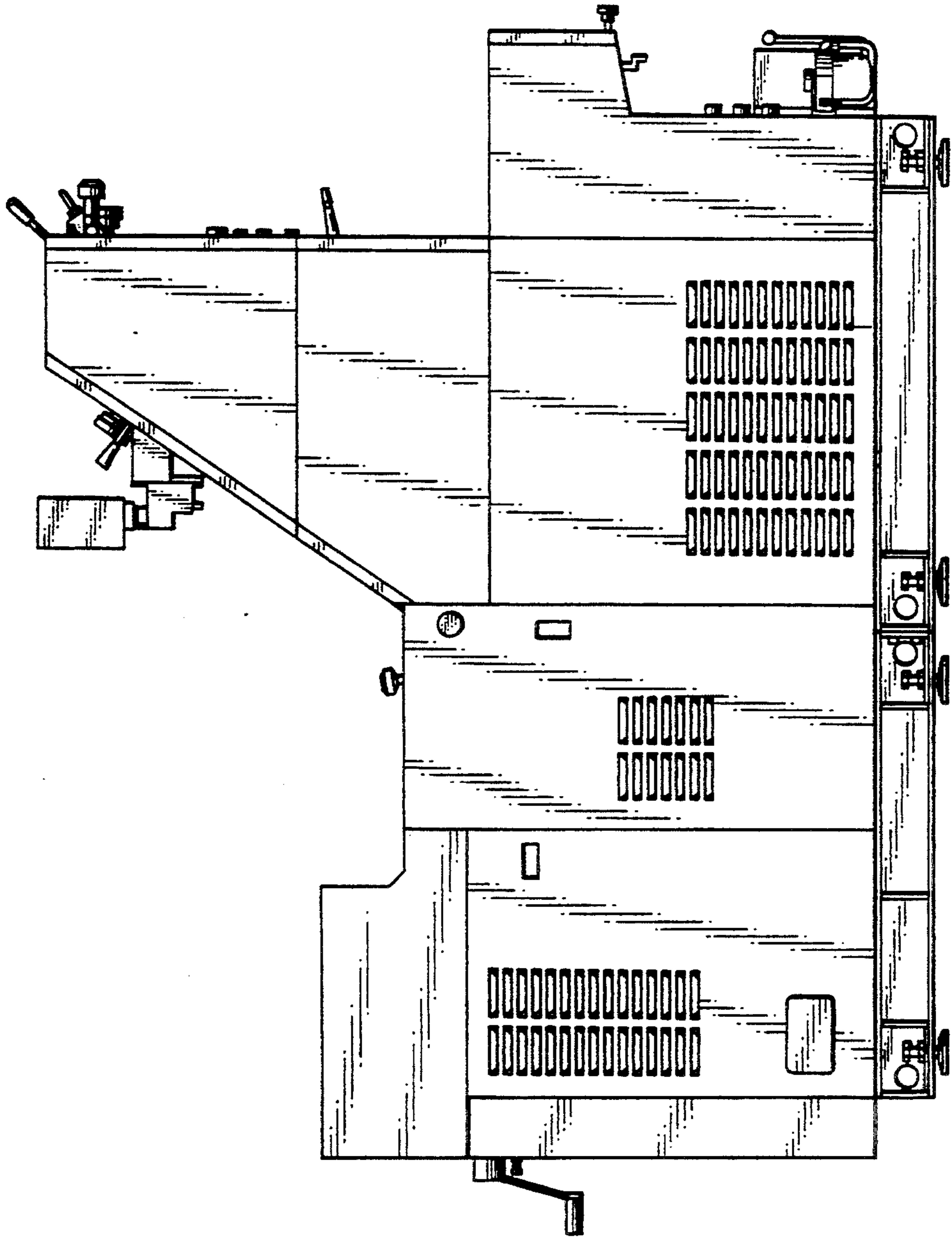


FIG. 5

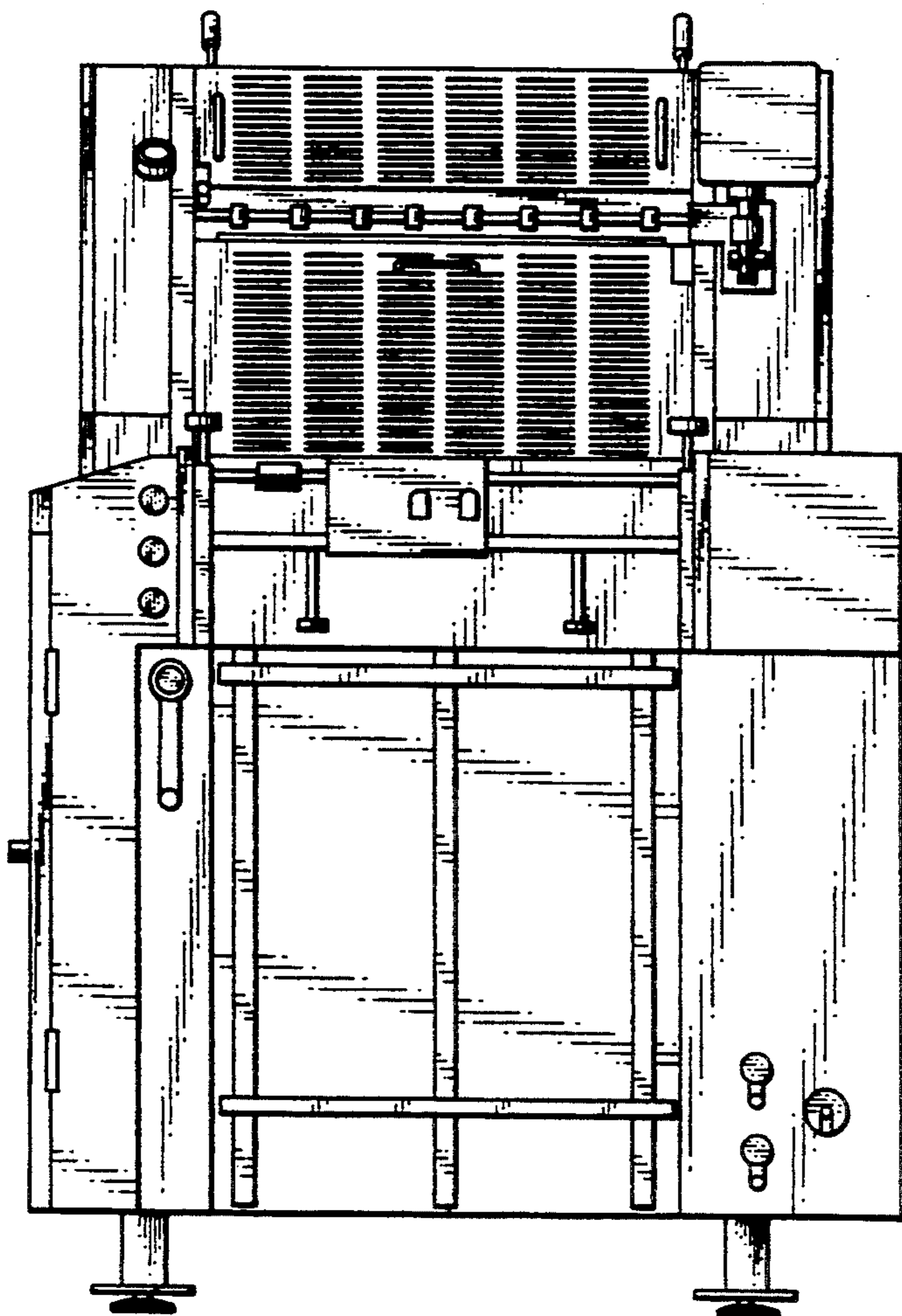


FIG. 6

