



US00D357489S

United States Patent [19]

[11] Patent Number: **Des. 357,489**

Breed

[45] Date of Patent: **** Apr. 18, 1995**

- [54] **SPECTACLE FRAME HOLDER**
- [75] Inventor: **Charles P. Breed, Redmond, Wash.**
- [73] Assignee: **Key Computer Systems, Inc.,
Lynnwood, Wash.**
- [**] Term: **14 Years**
- [21] Appl. No.: **15,405**
- [22] Filed: **Nov. 15, 1993**
- [52] U.S. Cl. **D3/266; D3/330;
D24/172**
- [58] Field of Search **D3/226, 219, 249, 252,
D3/263, 264, 265, 267, 268, 266, 234, 248, 247,
251, 253, 208; D16/129, 136, 242; 206/5, 5.1,
316.1; 224/229; 248/902, 229**

- 4,576,320 3/1986 Mead 248/902
- 5,069,416 12/1991 Ennis 248/902
- 5,176,262 1/1993 Zouéki 248/902
- 5,316,252 5/1994 Charnow et al. 248/902

Primary Examiner—C. A. Murphy
Attorney, Agent, or Firm—James Richard Vance

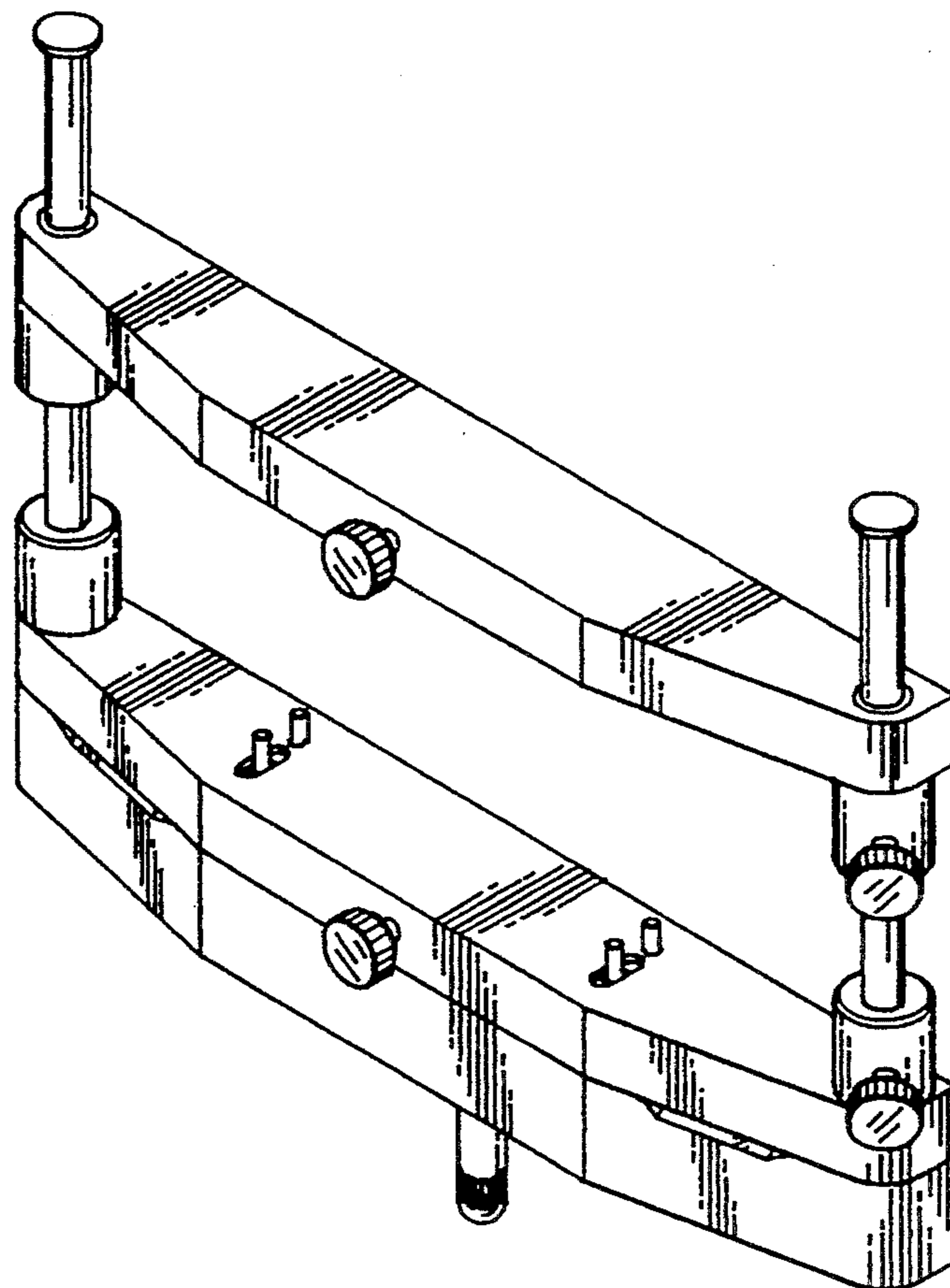
[57] CLAIM

The ornamental design for a spectacle frame holder, as shown and described.

DESCRIPTION

FIG. 1 is a front perspective view of a spectacle frame holder showing my new design;
 FIG. 2 is a front elevational view thereof;
 FIG. 3 is a rear elevational view thereof;
 FIG. 4 is a left side elevational view thereof;
 FIG. 5 is a right side elevational view thereof;
 FIG. 6 is a top plan view thereof; and,
 FIG. 7 is a bottom plan view thereof.
 The broken lines partially showing a spectacle frame in FIGS. 2 and 3 are for illustrative purposes only and form no part of the claimed design.

- [56] **References Cited**
- U.S. PATENT DOCUMENTS**
- D. 223,862 6/1972 Clarkson D16/242
- D. 247,297 2/1978 Adams D16/136
- 2,711,872 6/1955 Lampke 248/229
- 4,558,788 12/1985 Grothaus 211/13



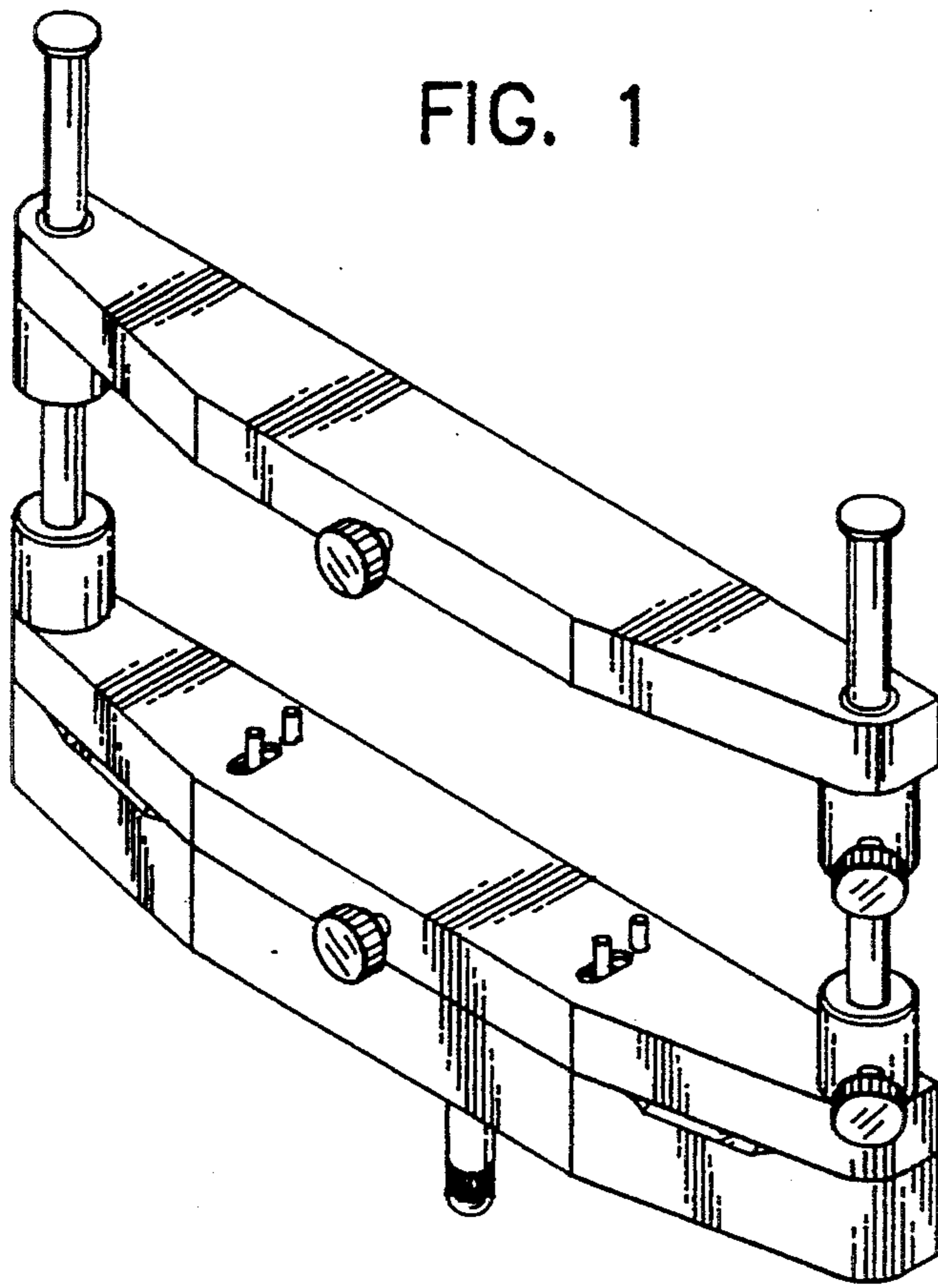


FIG. 4

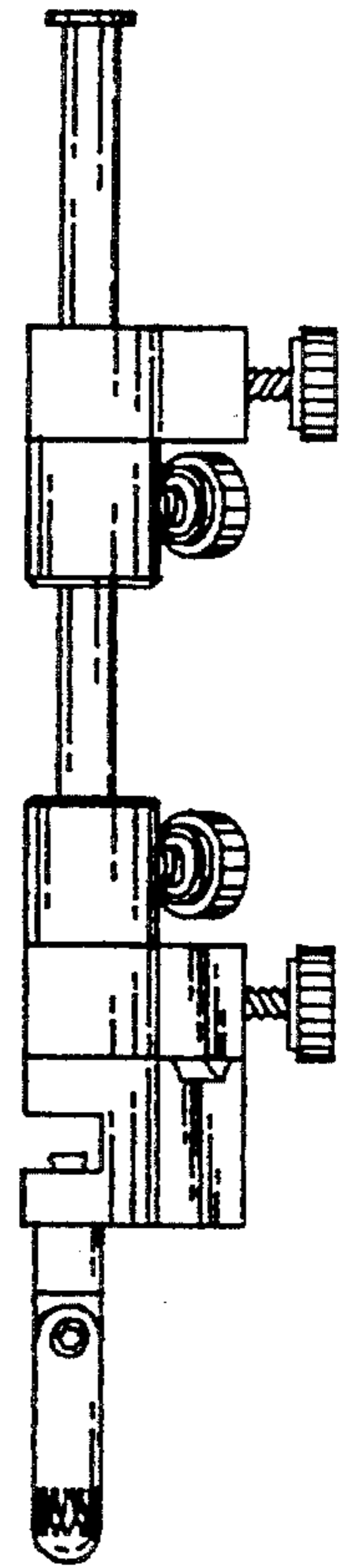


FIG. 2

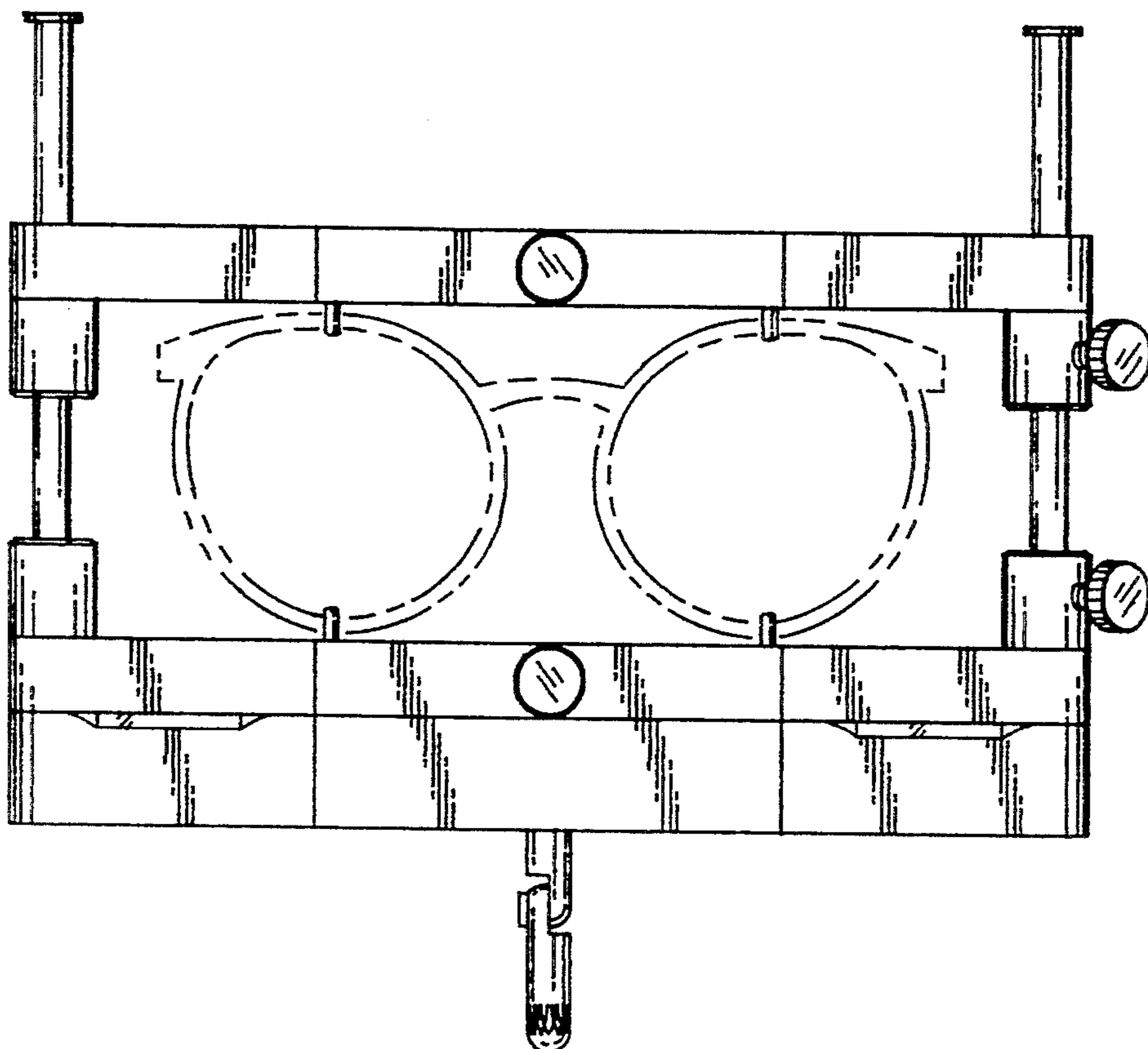


FIG. 3

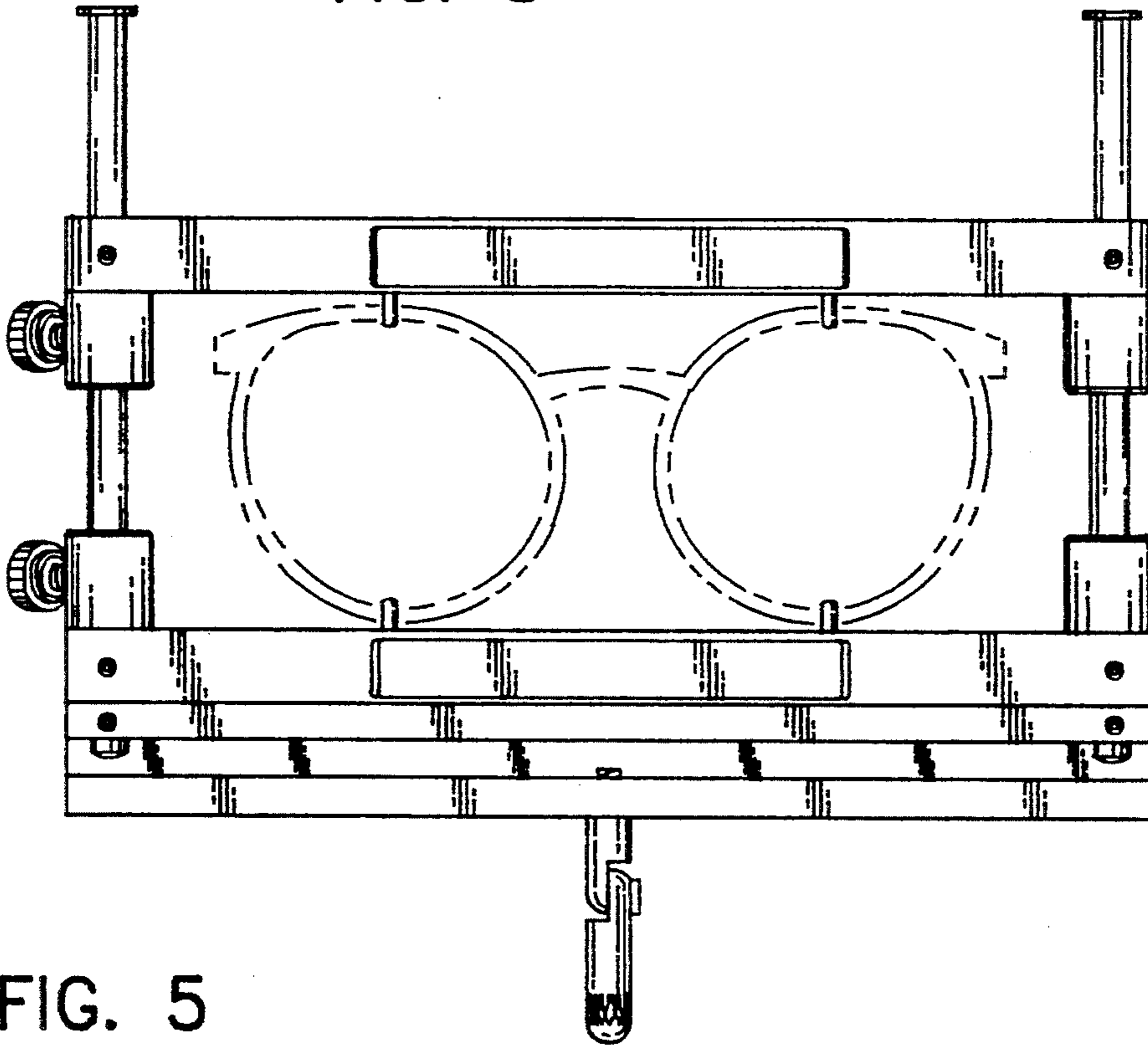


FIG. 5

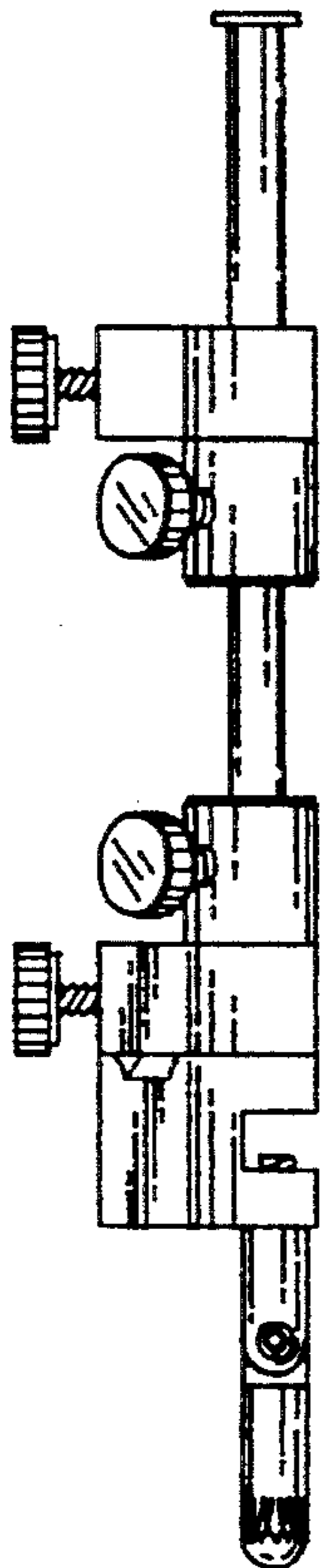


FIG. 6

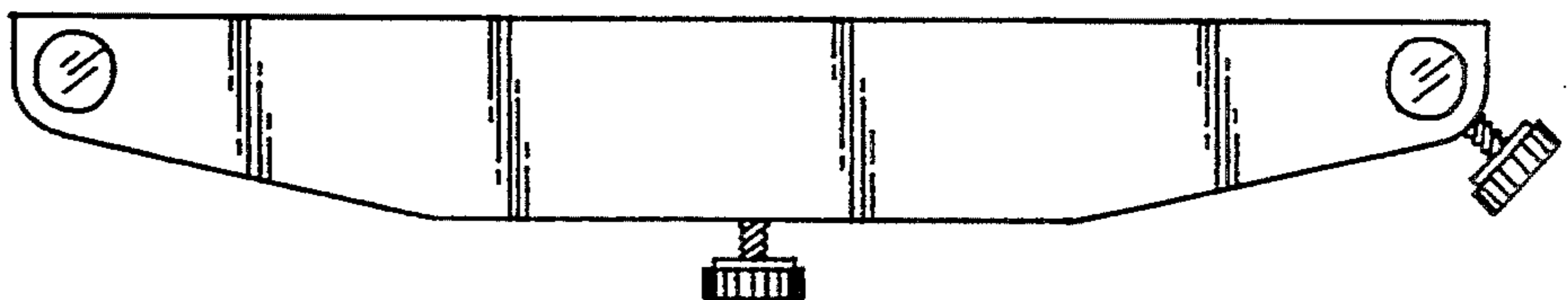


FIG. 7

