



US00D357482S

# United States Patent [19]

[11] Patent Number: **Des. 357,482**

Forbush

[45] Date of Patent: **\*\* Apr. 18, 1995**

[54] **MULCHER BLADE**

[76] Inventor: **Edward Forbush**, 1741 Washington,  
Algonac, Mich. 48001

[\*\*] Term: **14 Years**

[21] Appl. No.: **15,727**

[22] Filed: **Nov. 26, 1993**

[52] U.S. Cl. .... **D15/17; D15/28;**  
**D8/1; D8/8**

[58] Field of Search ..... **D8/8, 1; D15/10, 14-17,**  
**D15/28, 29; 30/276, 347; 56/13.7, 255, 295,**  
**310.1, 320.2**

4,738,090 4/1988 Nichter ..... 56/295  
 4,890,448 1/1990 Doi ..... 56/295  
 4,967,546 11/1990 Forbush ..... 56/255  
 5,033,259 7/1991 Adcock ..... 56/295  
 5,056,605 10/1991 Bond et al. .... 30/347  
 5,197,268 3/1993 Barrera ..... 56/295

*Primary Examiner*—Prabhakar G. Deshmukh  
*Assistant Examiner*—Sandra Morris  
*Attorney, Agent, or Firm*—Young, MacFarlane & Wood

### [57] CLAIM

The ornamental design for the mulcher blade, as shown and described.

### DESCRIPTION

FIG. 1 is a perspective view of the mulcher blade of the present invention showing my new design;  
 FIG. 2 is a side elevational view of the mulcher blade of FIG. 1;  
 FIG. 3 is a top plan view of the mulcher blade of FIG. 1; and,  
 FIG. 4 is a bottom plan view of the mulcher blade of FIG. 1.

[56] **References Cited**

**U.S. PATENT DOCUMENTS**

|            |        |              |       |        |
|------------|--------|--------------|-------|--------|
| D. 174,375 | 4/1955 | Cole         | ..... | D15/17 |
| D. 264,675 | 6/1982 | Inaga et al. | ..... | D15/29 |
| D. 349,291 | 8/1994 | Forbush      | ..... | D15/17 |
| 3,797,212  | 3/1974 | Pursel       | ..... | 56/255 |
| 4,083,166  | 4/1978 | Haas         | ..... | 56/255 |
| 4,250,622  | 2/1981 | Houle        | ..... | 30/347 |

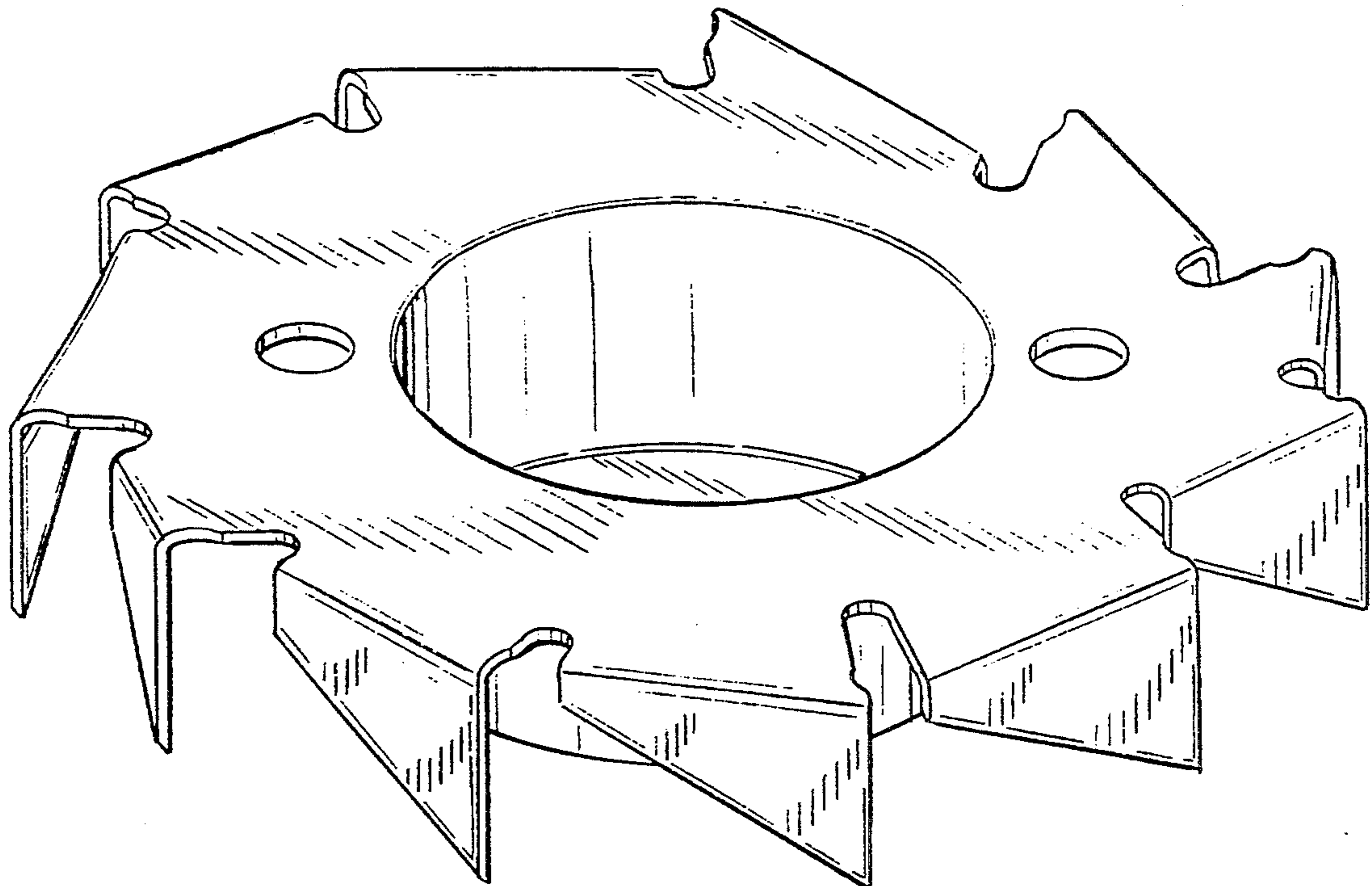


FIG-1

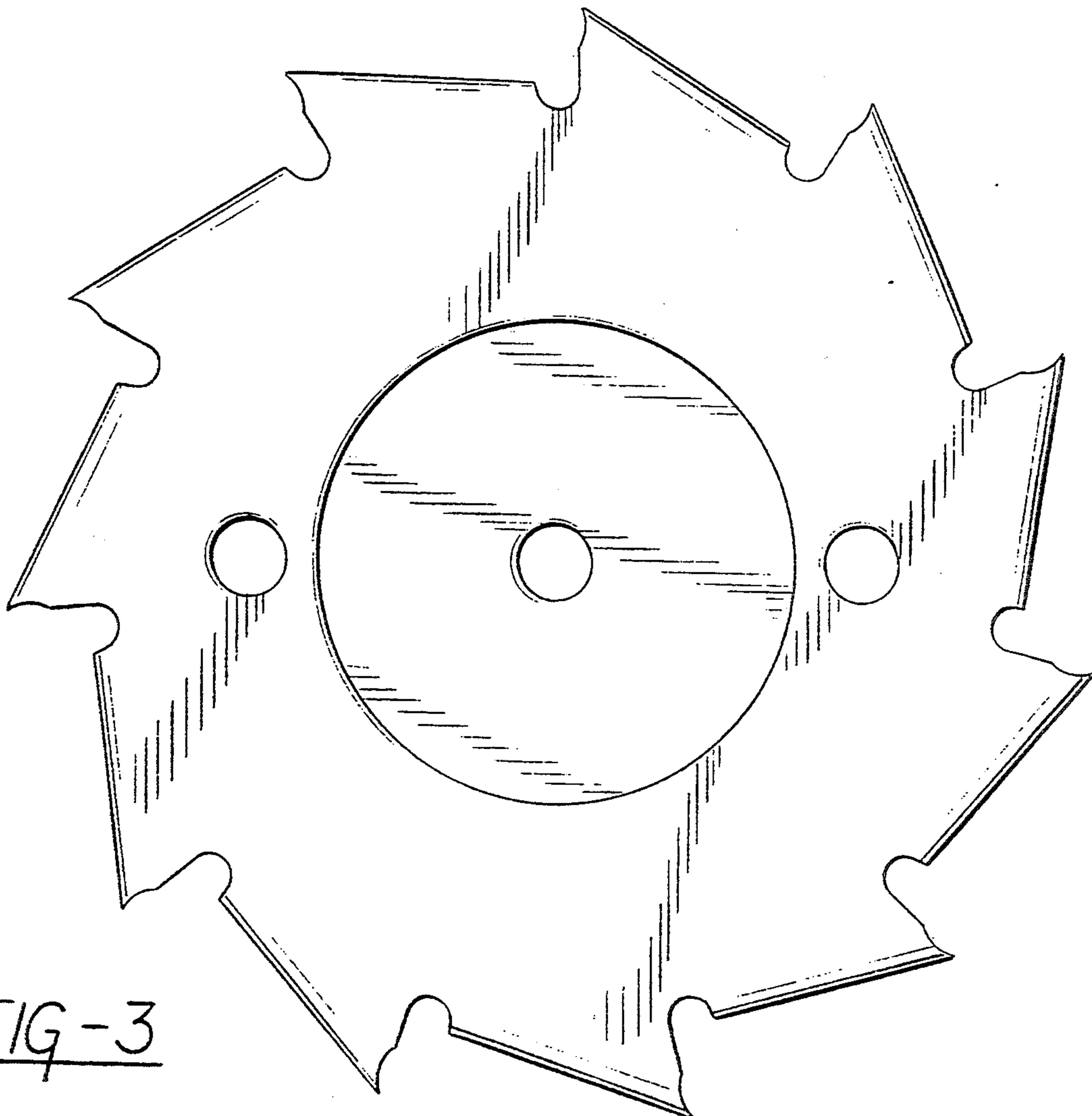
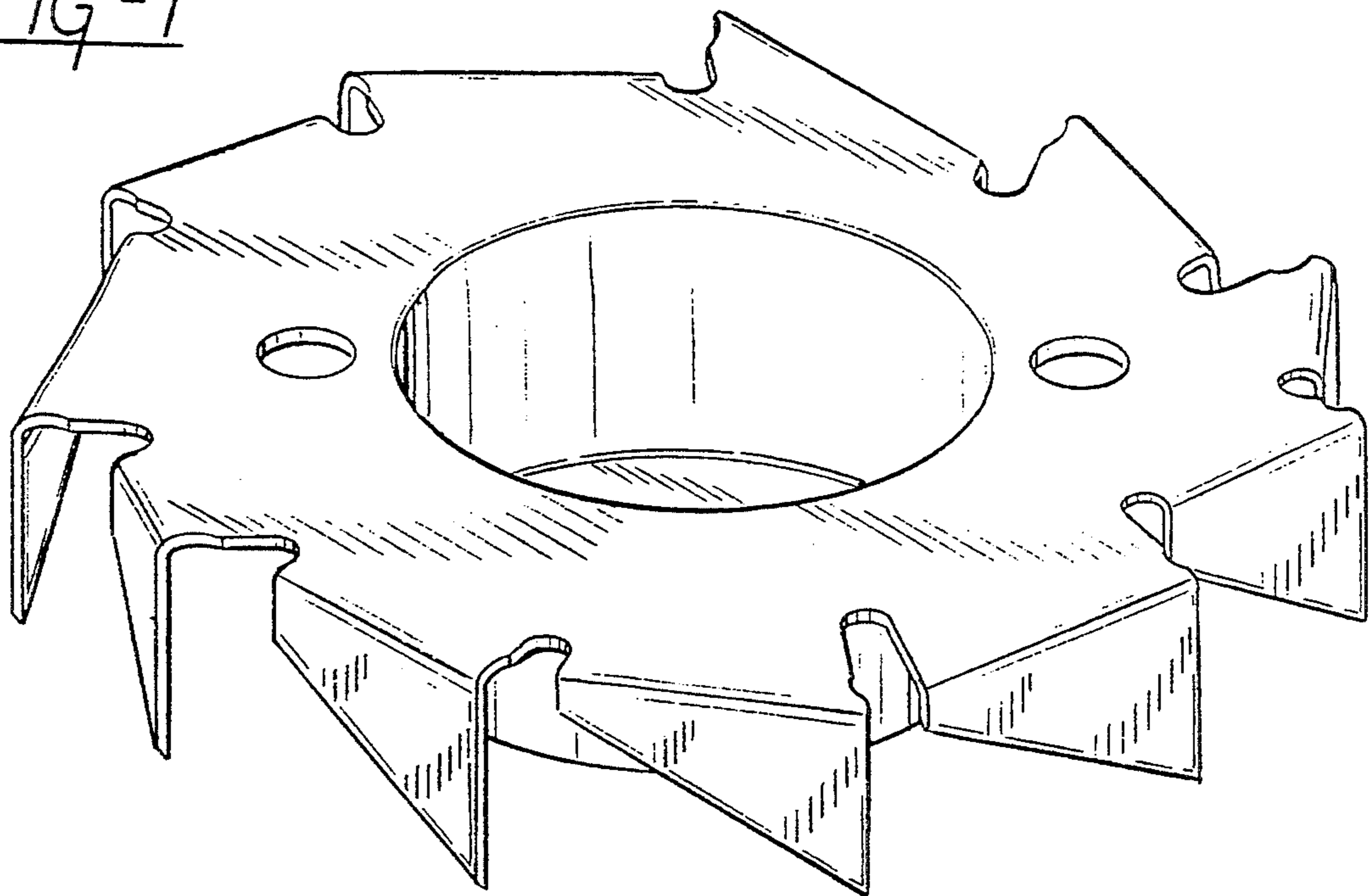


FIG-3

FIG-2

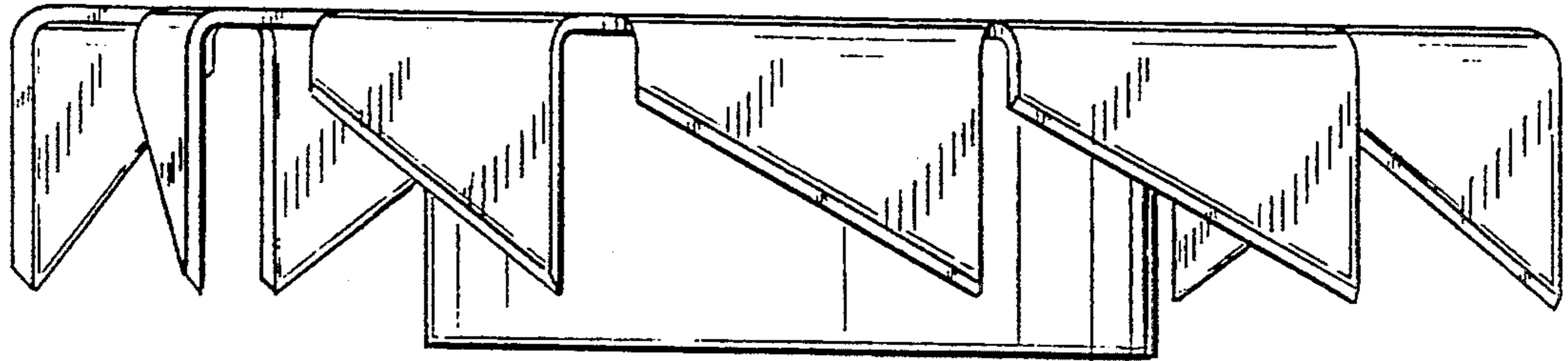


FIG-4

