



US00D357481S

United States Patent [19]

[11] Patent Number: Des. 357,481

Giuntoli et al.

[45] Date of Patent: ** Apr. 18, 1995

[54] MICROPHONE INPUT DEVICE

[75] Inventors: **Domenic S. Giuntoli; Michael D. Nelson; Steven T. Kaneko**, all of Seattle, Wash.

[73] Assignee: **Microsoft Corporation**, Redmond, Wash.

[**] Term: **14 Years**

[21] Appl. No.: **16,026**

[22] Filed: **Dec. 3, 1993**

[52] U.S. Cl. **D14/227**

[58] Field of Search **D14/206, 215, 216, 225-229, D14/299; 181/158; 381/91, 168, 169**

[56] References Cited

U.S. PATENT DOCUMENTS

D. 179,540	1/1957	Knechtsberger	D14/227
D. 222,269	10/1971	Gibson	D14/229
D. 296,100	6/1988	Kubota	D14/228
D. 313,802	1/1991	Peiker	D14/228 X

FOREIGN PATENT DOCUMENTS

0669295	2/1989	Switzerland	381/169
0683031	8/1979	U.S.S.R.	381/169

OTHER PUBLICATIONS

Burstein-Applebee Catalog 641, dated 1963, p. 50 Serial #245 and 575.

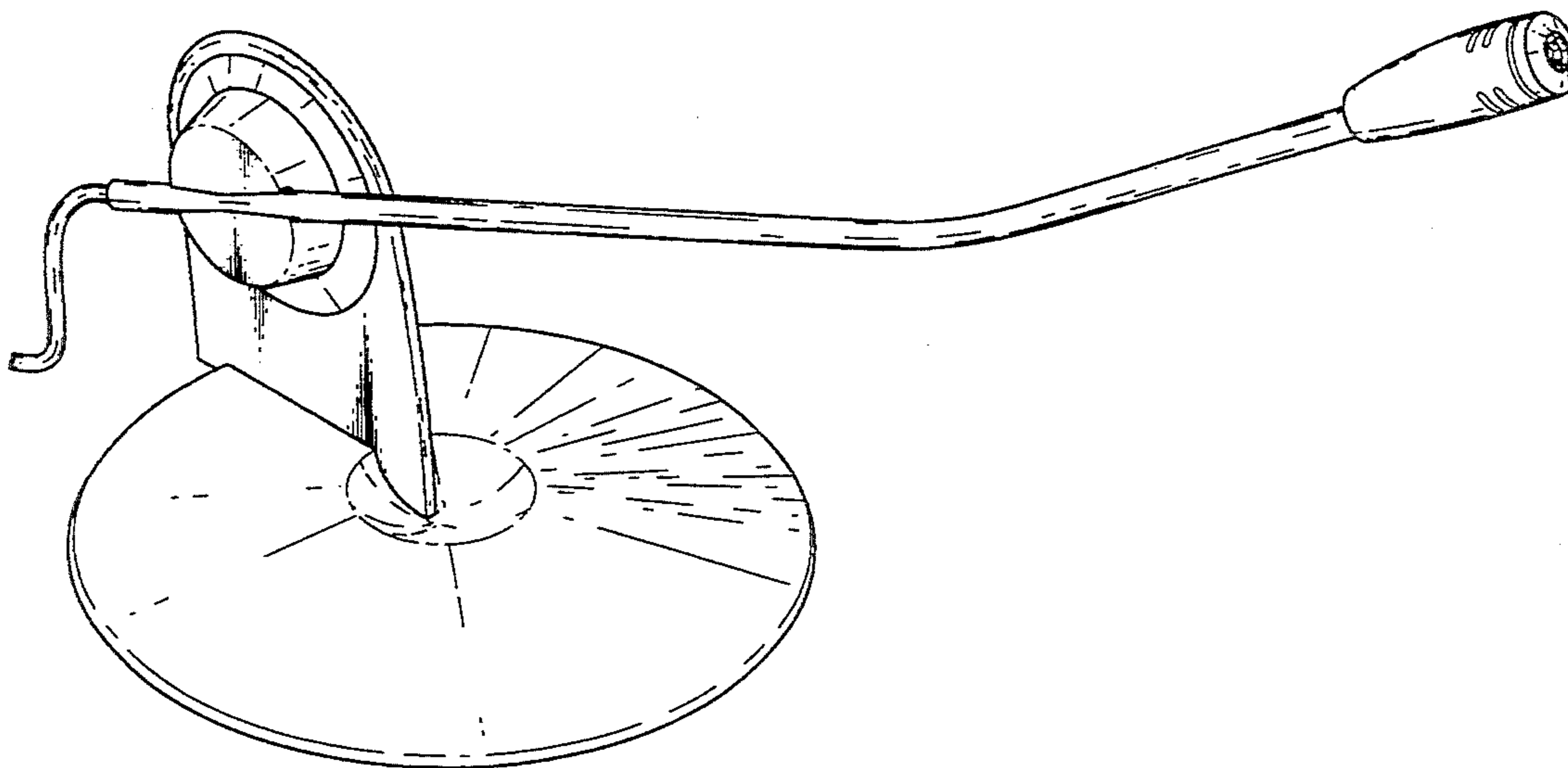
Primary Examiner—Terry A. Wallace
Assistant Examiner—Nanda Bondade
Attorney, Agent, or Firm—Seed & Berry

[57] CLAIM

The ornamental design for a microphone input device, as shown and described.

DESCRIPTION

FIG. 1 is a perspective view of a microphone input device showing our new design; FIG. 2 is a left side elevational view thereof; FIG. 3 is a front elevational view thereof; FIG. 4 is a right side elevational view thereof; FIG. 5 is a rear elevational view thereof; and, FIG. 6 is a top plan view thereof. The undisclosed bottom view of the base portion is unornamented.



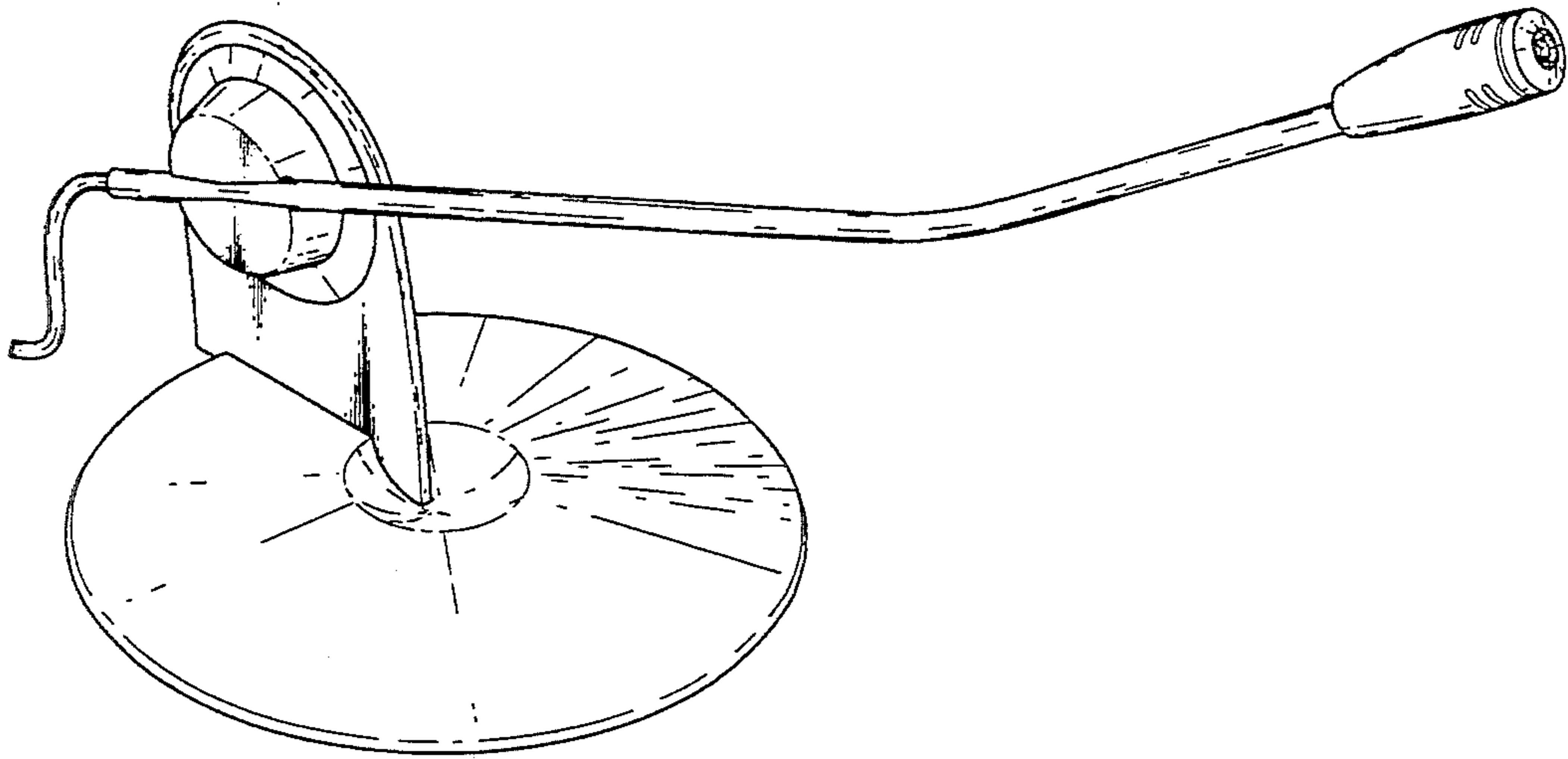


Figure 1

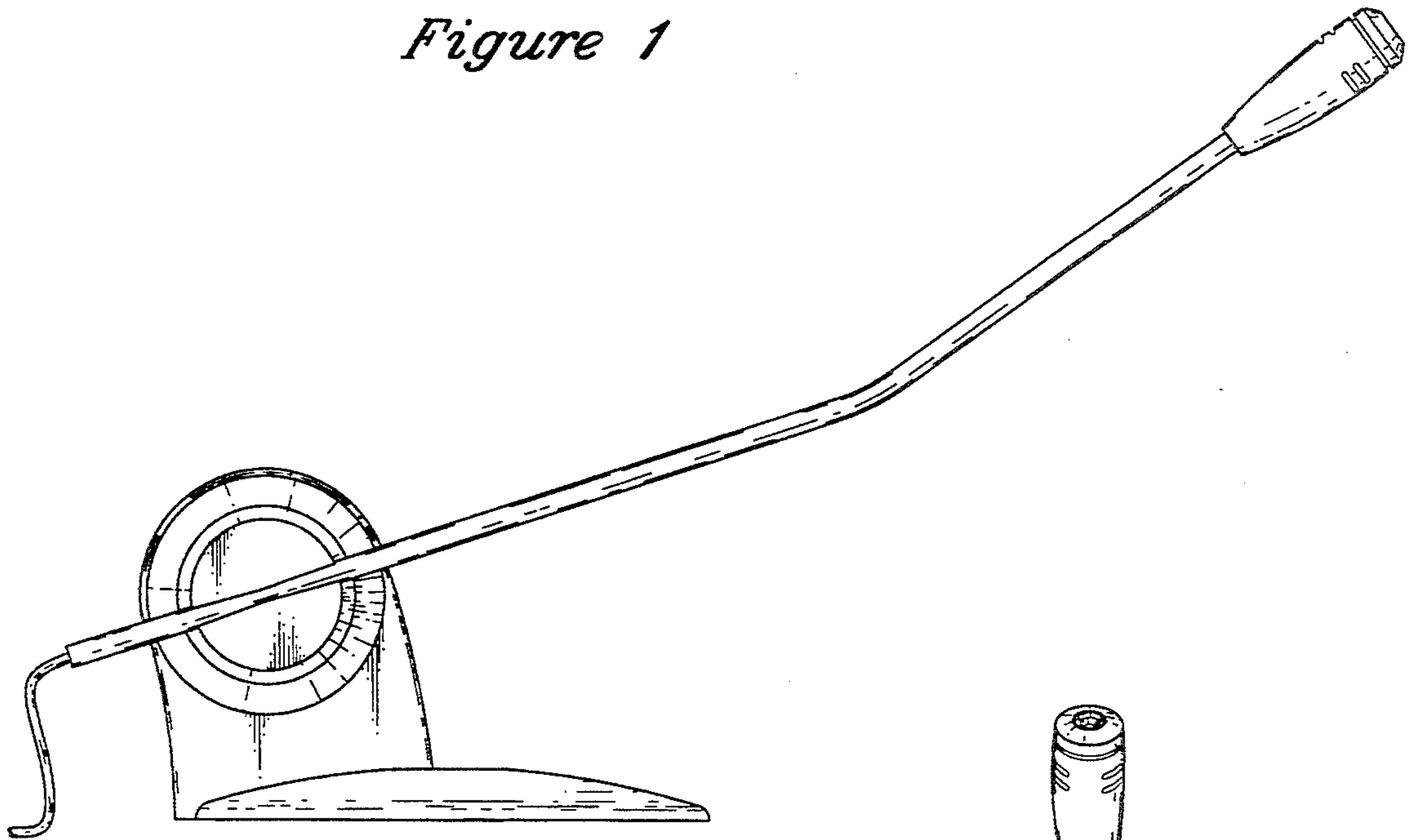


Figure 2

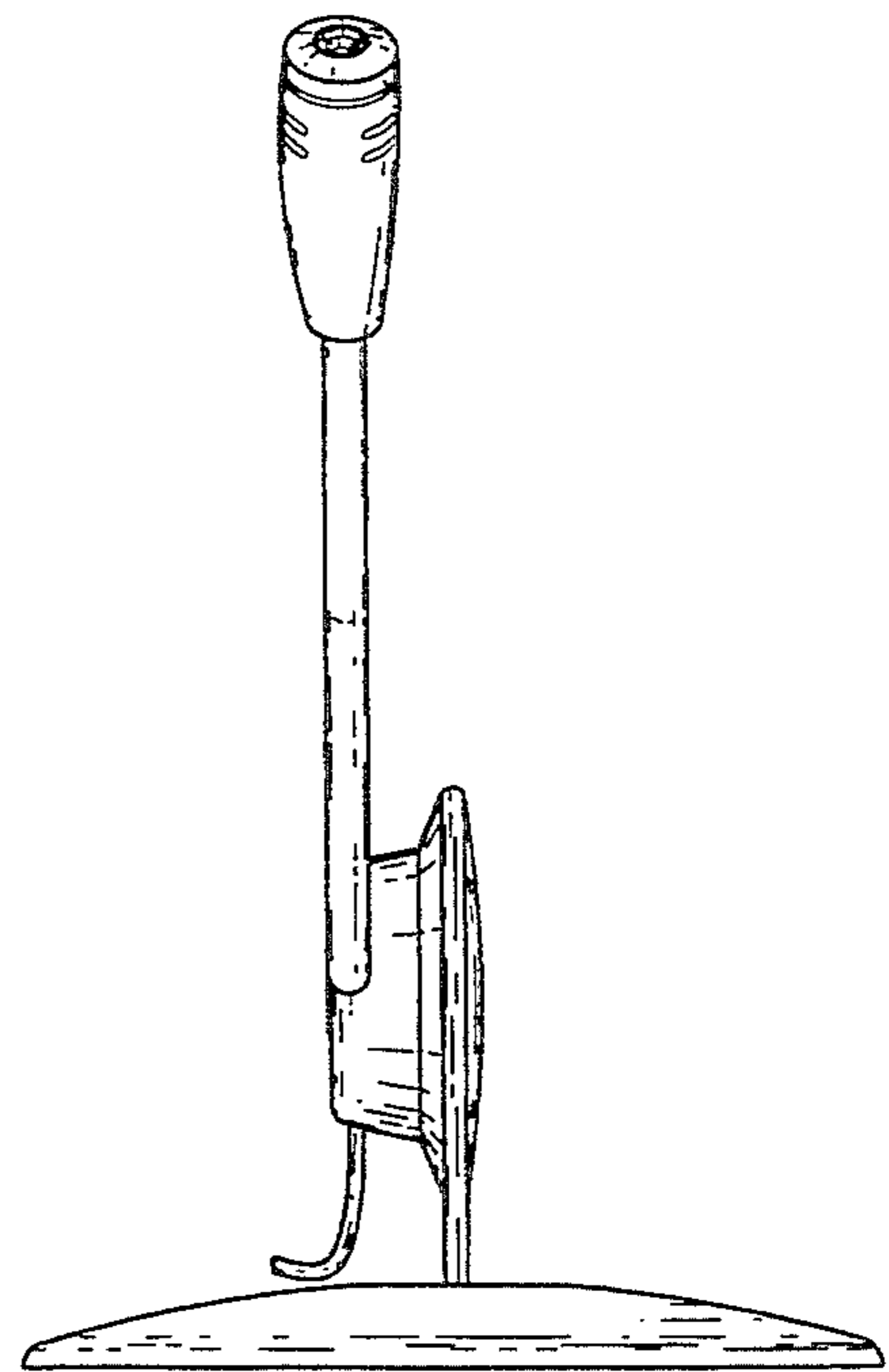


Figure 3

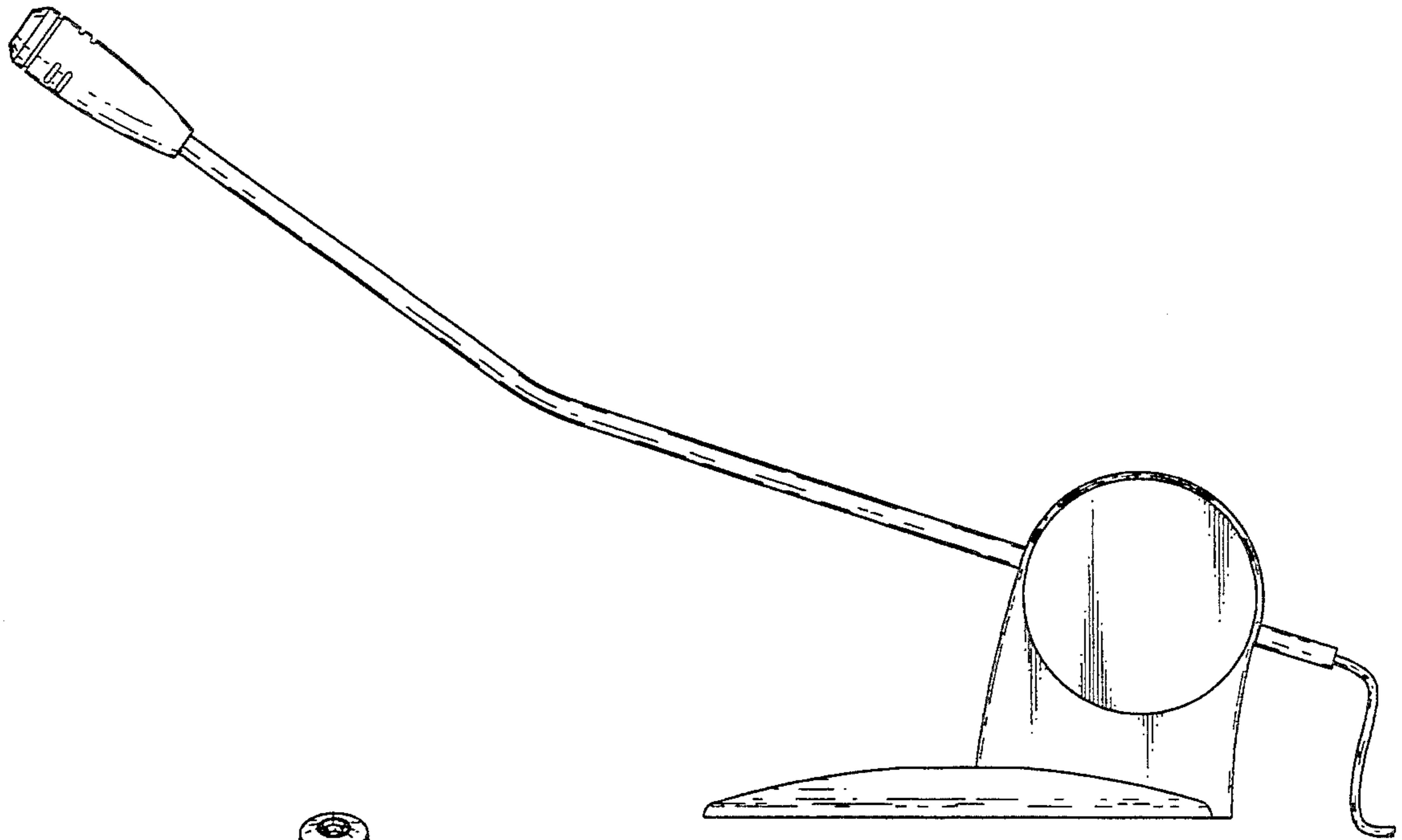


Figure 4

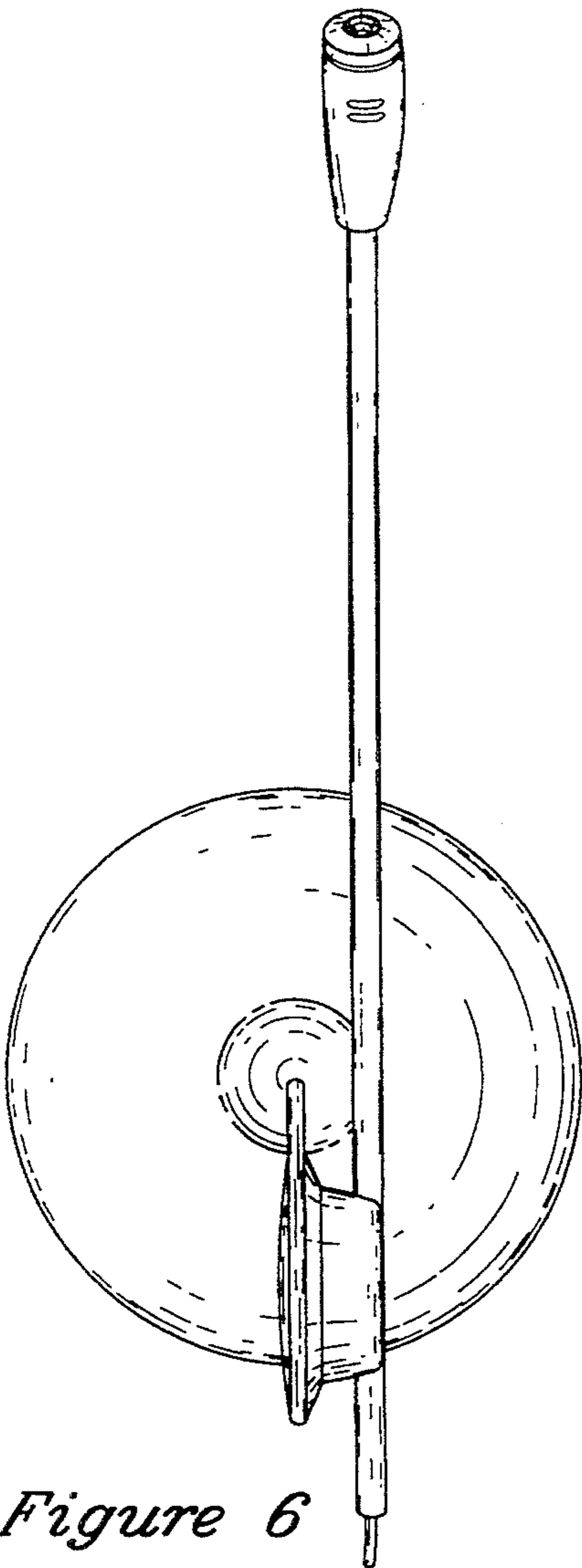


Figure 6

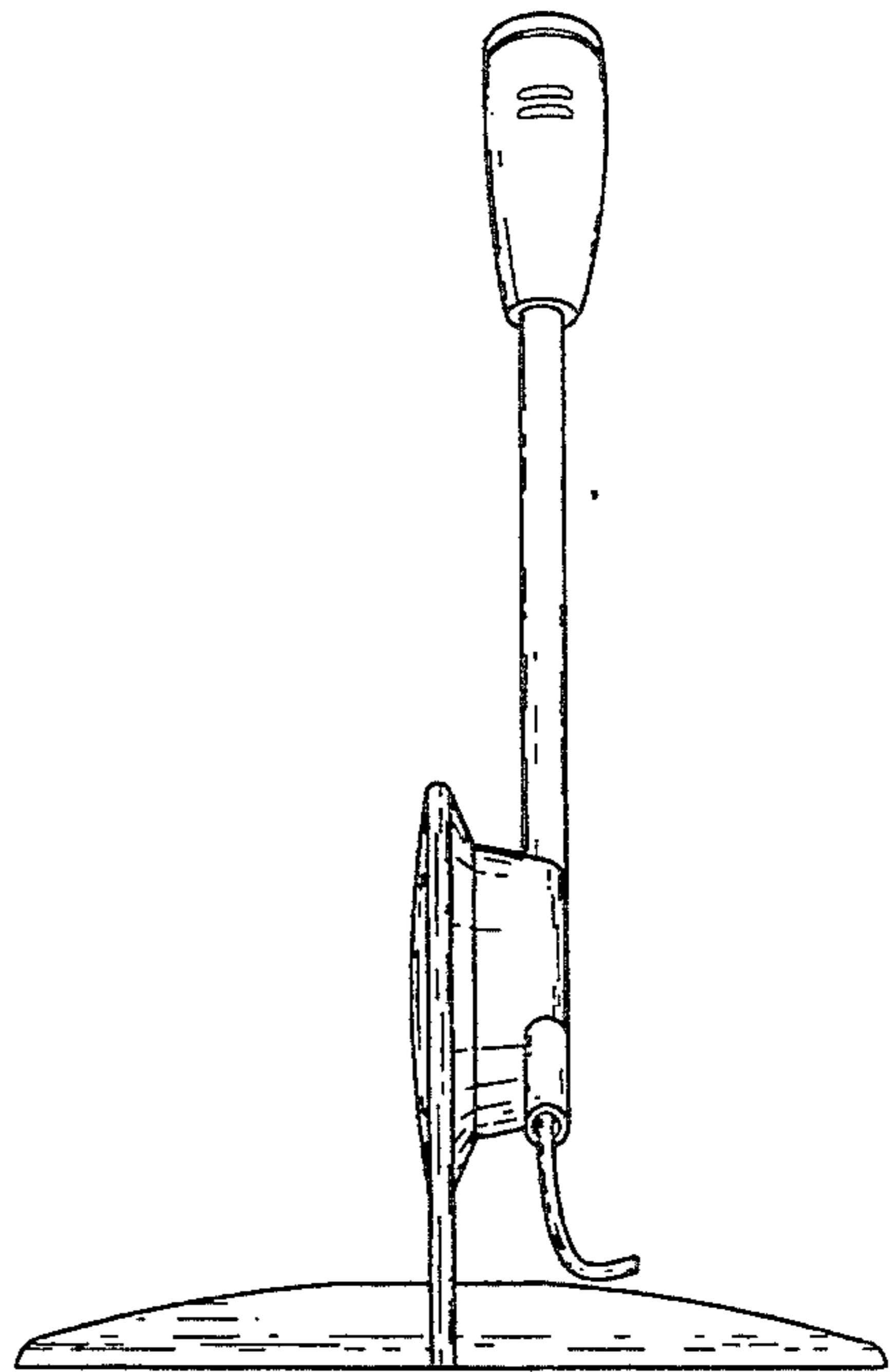


Figure 5