



US00D357480S

# United States Patent [19]

[11] Patent Number: **Des. 357,480**

Lumsden et al.

[45] Date of Patent: **\*\* Apr. 18, 1995**

[54] **EDGE SURROUND FOR SPEAKER**

2029163 3/1980 United Kingdom ..... 181/174

[75] Inventors: **Stuart W. Lumsden**, Towson; **John D. Crisco**, Baltimore; **Matthew P. Lyons**, Baltimore; **Allen S. Baron**, Baltimore, all of Md.

### OTHER PUBLICATIONS

High Fidelity's Buying Guide to Speaker Systems, 1977 edition p. #2 (top middle).  
Analog and Digital Systems, Inc., Condensed Data Sheet for the ADS L520, dated 1978, front page.  
Polk Audio catalog dated Jan. 1986, p. #2, (front inside cover) as marked.

[73] Assignee: **Polk Investment Corporation**, Wilmington, Del.

[\*\*] Term: **14 Years**

*Primary Examiner*—Terry A. Wallace  
*Assistant Examiner*—Nanda Bondade  
*Attorney, Agent, or Firm*—Snell & Wilmer

[21] Appl. No.: **6,794**

[22] Filed: **Apr. 7, 1993**

[52] U.S. Cl. .... **D14/224; D8/352**

### [57] CLAIM

[58] Field of Search ..... **D8/352; D14/204, 209, D14/216, 219, 222, 224; 181/171, 172, 179**

The ornamental design for an edge surround for speaker, as shown and described.

### [56] References Cited

### DESCRIPTION

#### U.S. PATENT DOCUMENTS

D. 244,698	6/1977	Babb	.....	D14/222
3,997,023	12/1976	White	.....	181/171
4,206,832	6/1980	Yocum	.....	181/172 X
4,492,826	1/1985	Chiu	.....	181/171 X
5,099,949	3/1992	Mitobe	.....	181/171

FIG. 1 is a perspective view of a edge surround for speaker showing our new design;  
FIG. 2 is a enlarged front elevational view thereof;  
FIG. 3 is a enlarged side elevational view thereof, the opposite side being identical;  
FIG. 4 is a rear elevational view thereof; and,  
FIG. 5 is a perspective view thereof.

#### FOREIGN PATENT DOCUMENTS

2264881	8/1975	Germany	.....	181/172
0159831	4/1983	Germany	.....	181/171

The borken line showing of speaker and speaker box are for illustrative purposes only and forms no part of the claimed design.

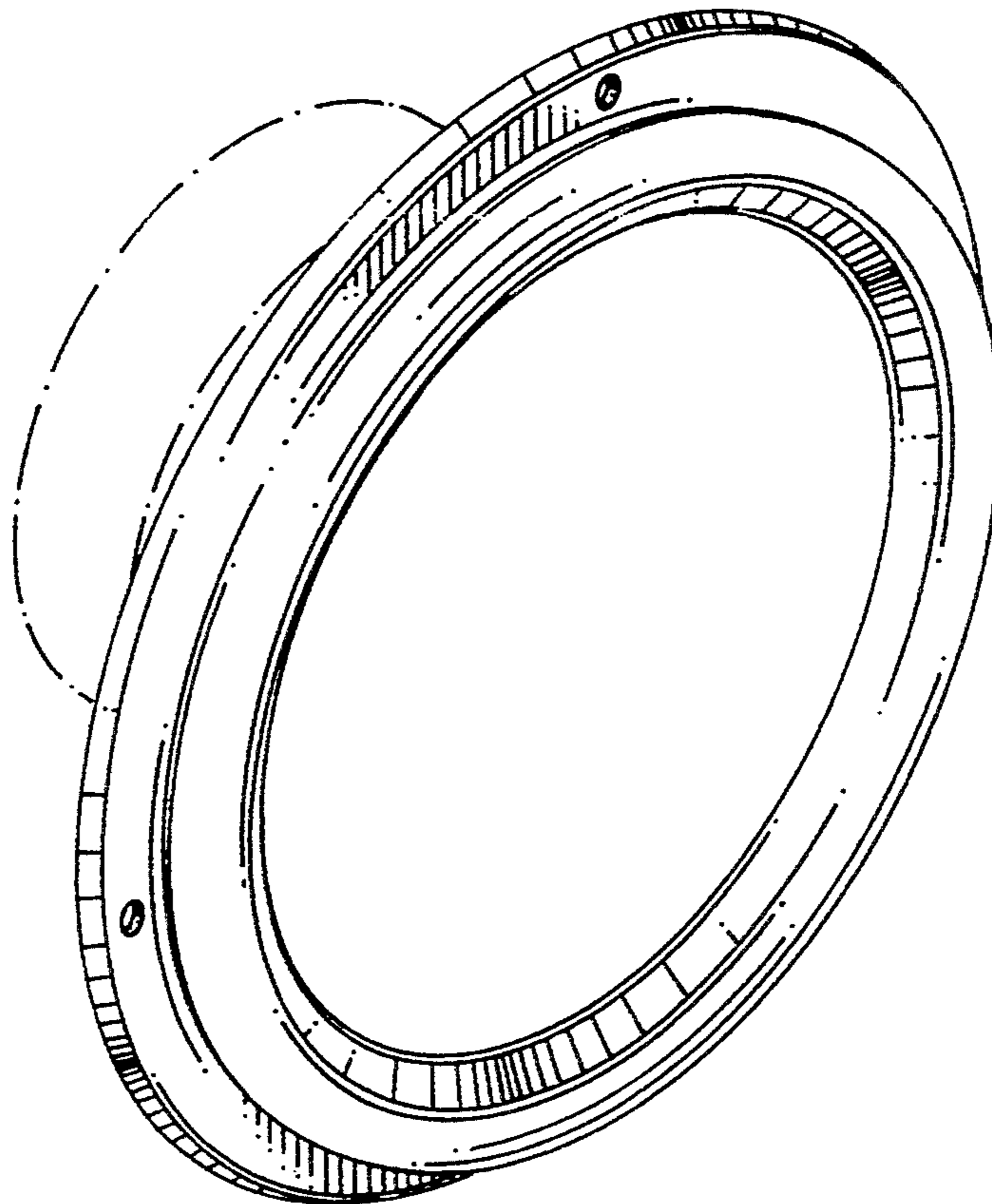


FIG. 1

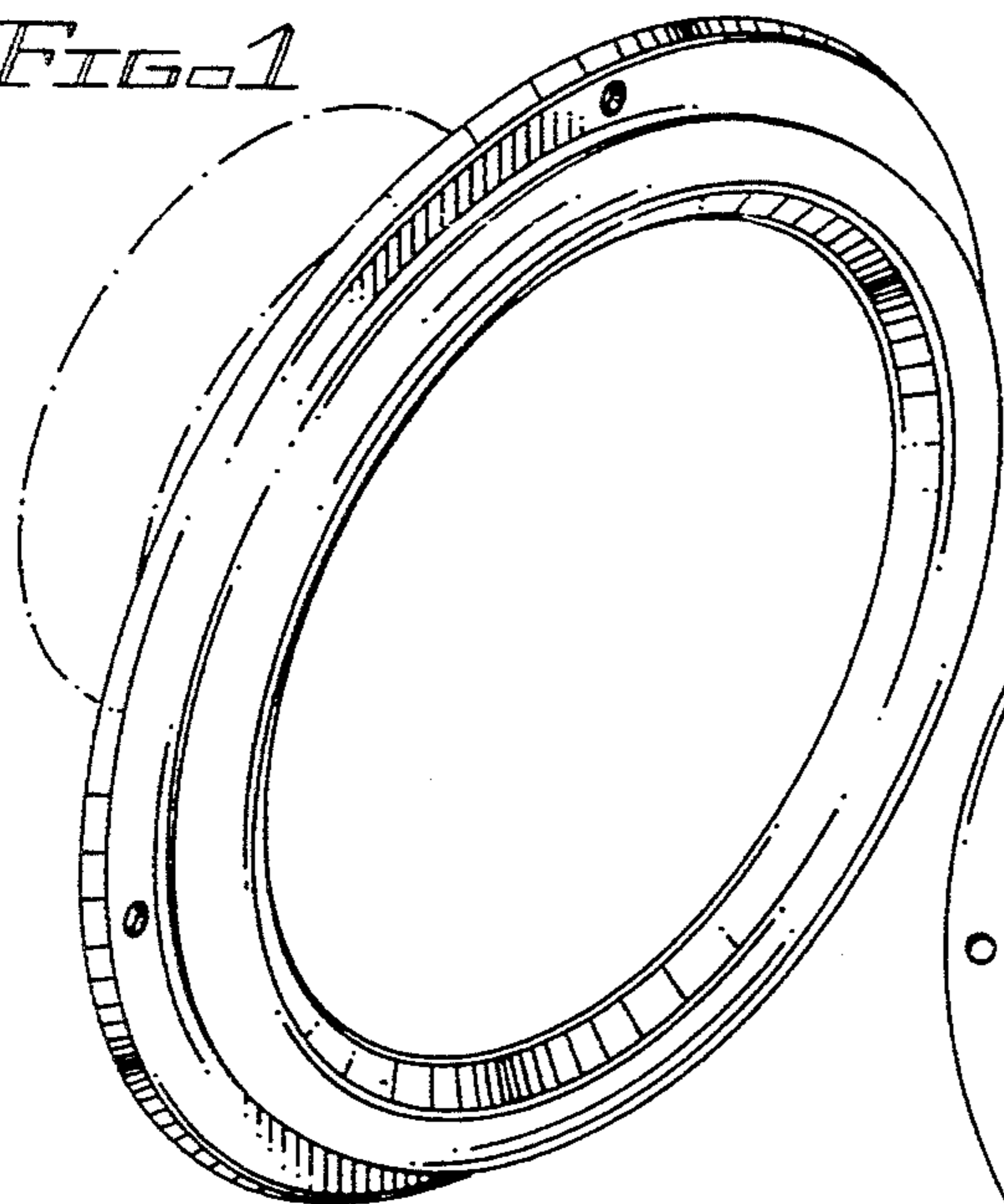


FIG. 4

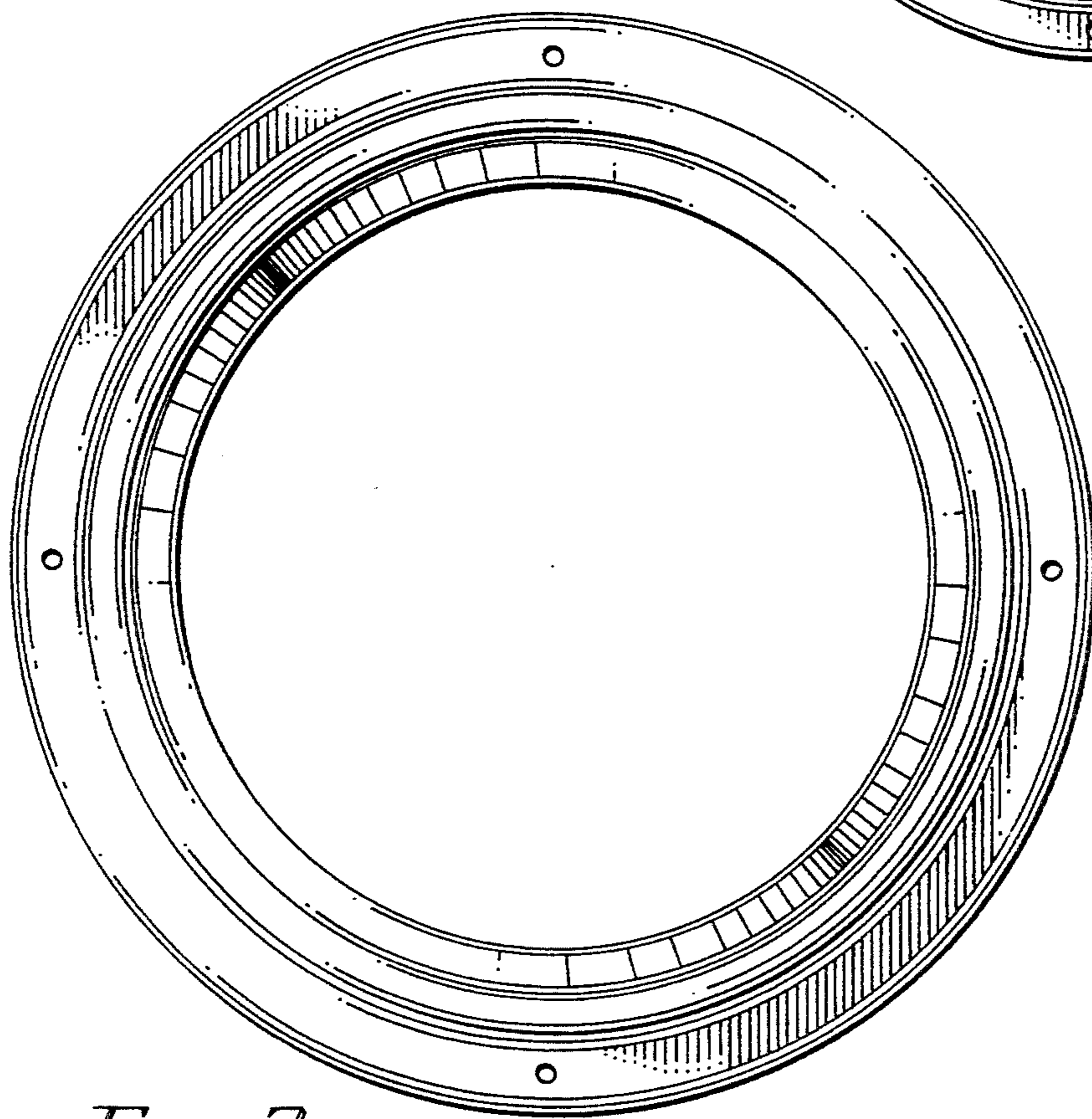
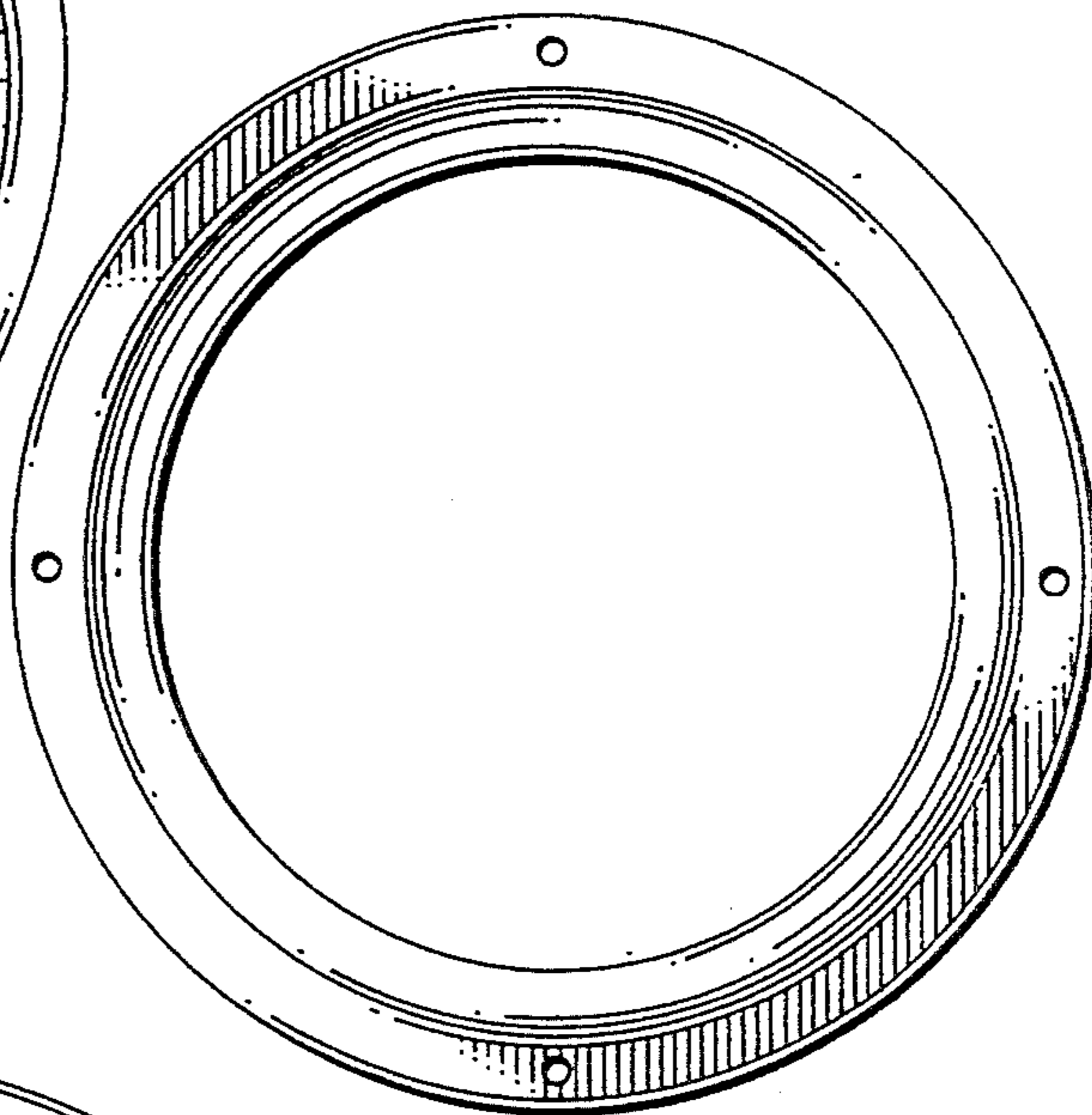


FIG. 2

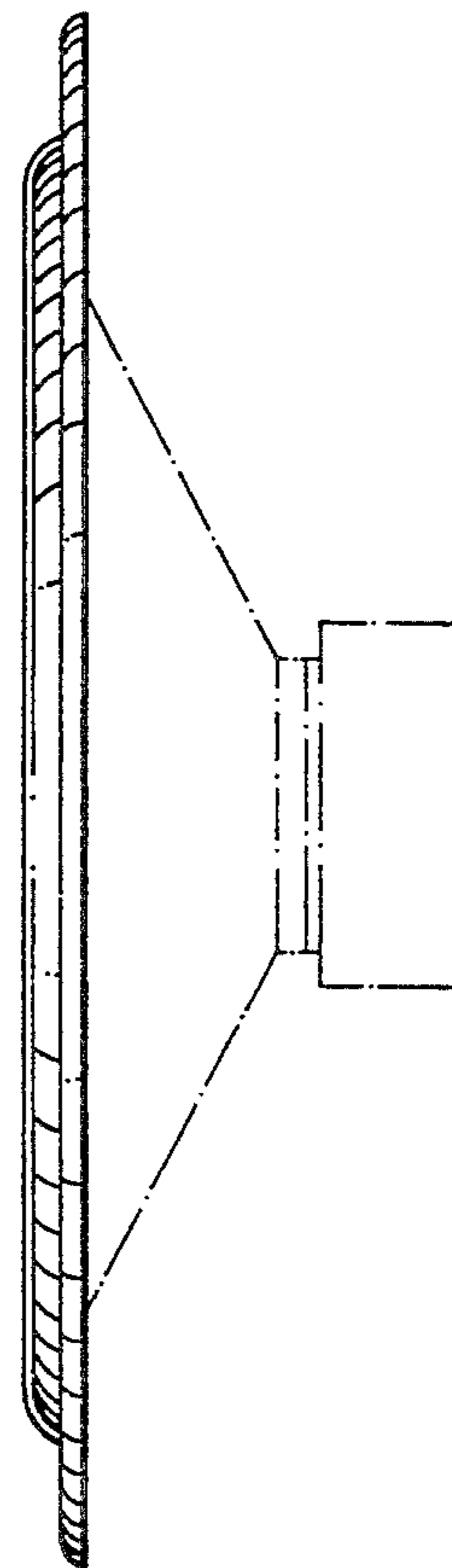
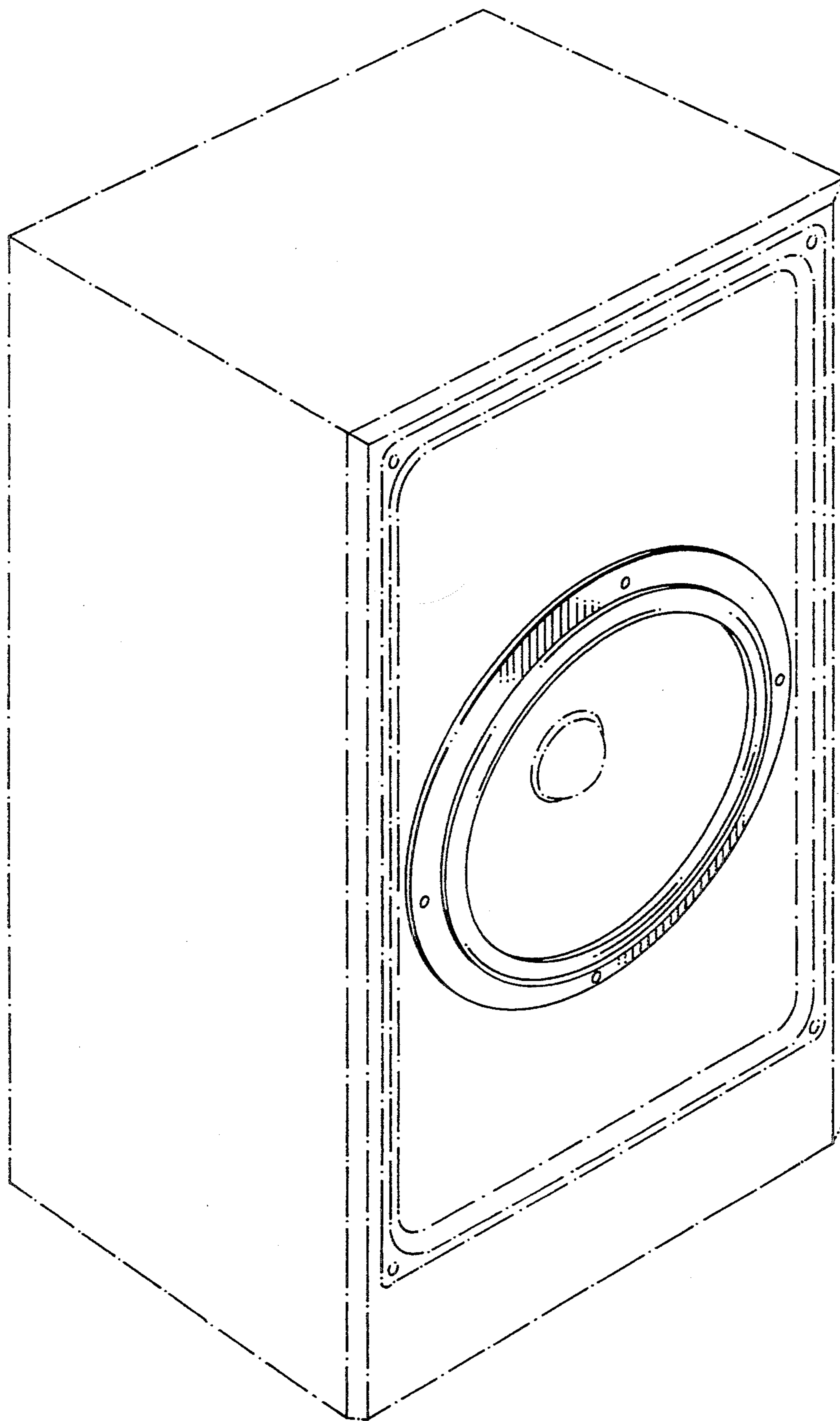


FIG. 3



*FIG. 5*