



US00D357477S

# United States Patent [19]

[11] Patent Number: **Des. 357,477**

Mueller et al.

[45] Date of Patent: **\*\* Apr. 18, 1995**

[54] HEADSET

[56] References Cited

[75] Inventors: **Eric Mueller; Paul Rothstein**, both of Minneapolis, Minn.

### U.S. PATENT DOCUMENTS

D. 222,361	10/1971	Hart	.....	D14/205
D. 302,429	7/1989	Leer	.....	D14/205 X
D. 345,981	4/1994	Burke	.....	D14/206
5,185,807	2/1993	Bergin et al.	.....	181/129 X

[73] Assignee: **Telex Communications, Inc.**, Minneapolis, Minn.

*Primary Examiner*—Terry A. Wallace  
*Assistant Examiner*—Nanda Bondade  
*Attorney, Agent, or Firm*—Gregory P. Kaihoi

[\*\*] Term: **14 Years**

[57] CLAIM

The ornamental design for a headset, as shown.

[21] Appl. No.: **22,716**

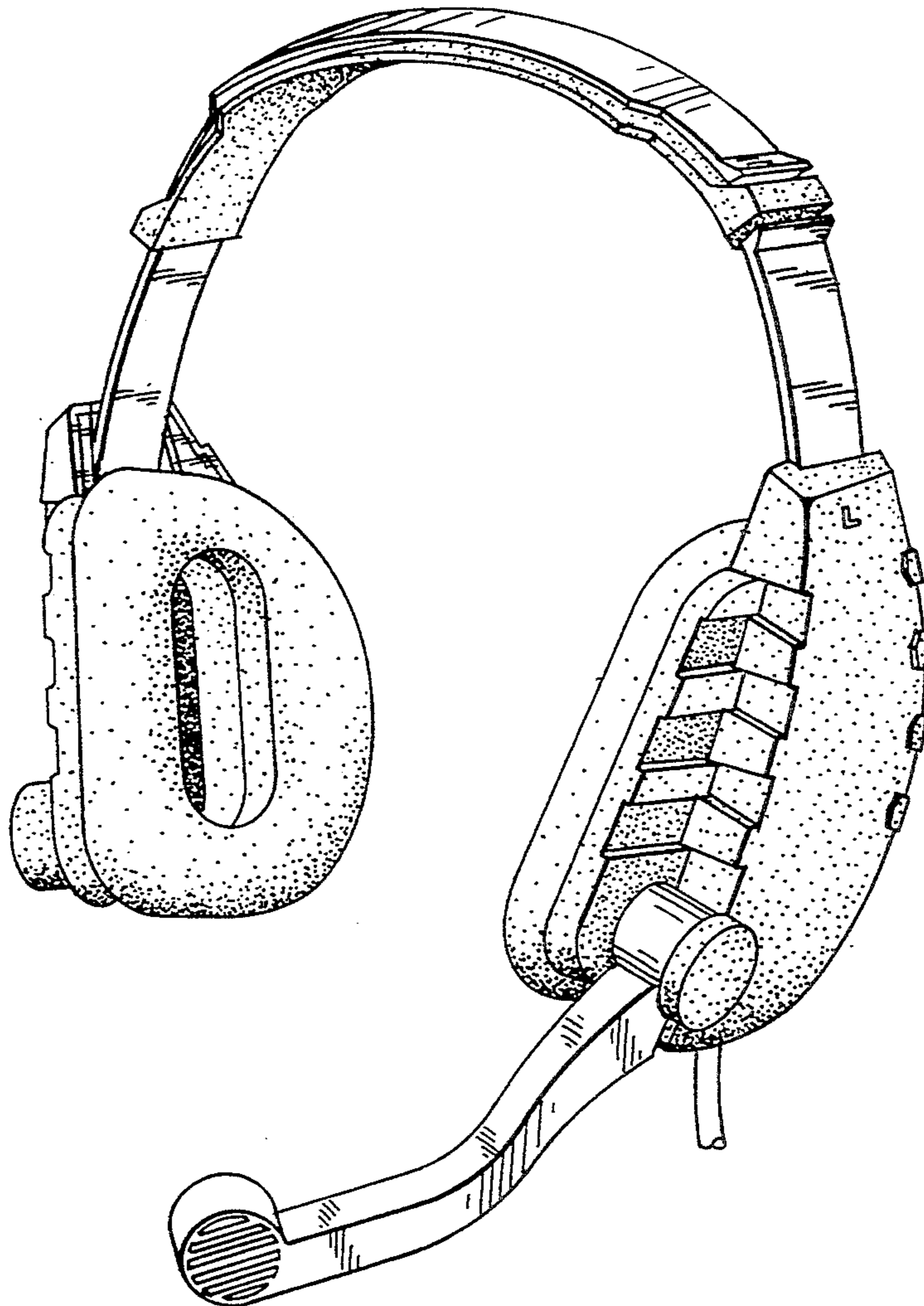
### DESCRIPTION

[22] Filed: **May 11, 1994**

FIG. 1 is a perspective view of the headset of our design, showing the front and left sides; FIG. 2 is a front elevation view thereof; FIG. 3 is a rear elevation view thereof; FIG. 4 is a right elevation view thereof; FIG. 5 is a left elevation view thereof; FIG. 6 is a bottom view thereof; and, FIG. 7 is a top view thereof.

[52] U.S. Cl. .... **D14/206**

[58] Field of Search ..... **D14/137-138, D14/140, 147-148, 205-206, 223, 240, 247-248; D21/111; 181/129; 379/430, 444; 381/25, 68, 151, 158, 183, 187**



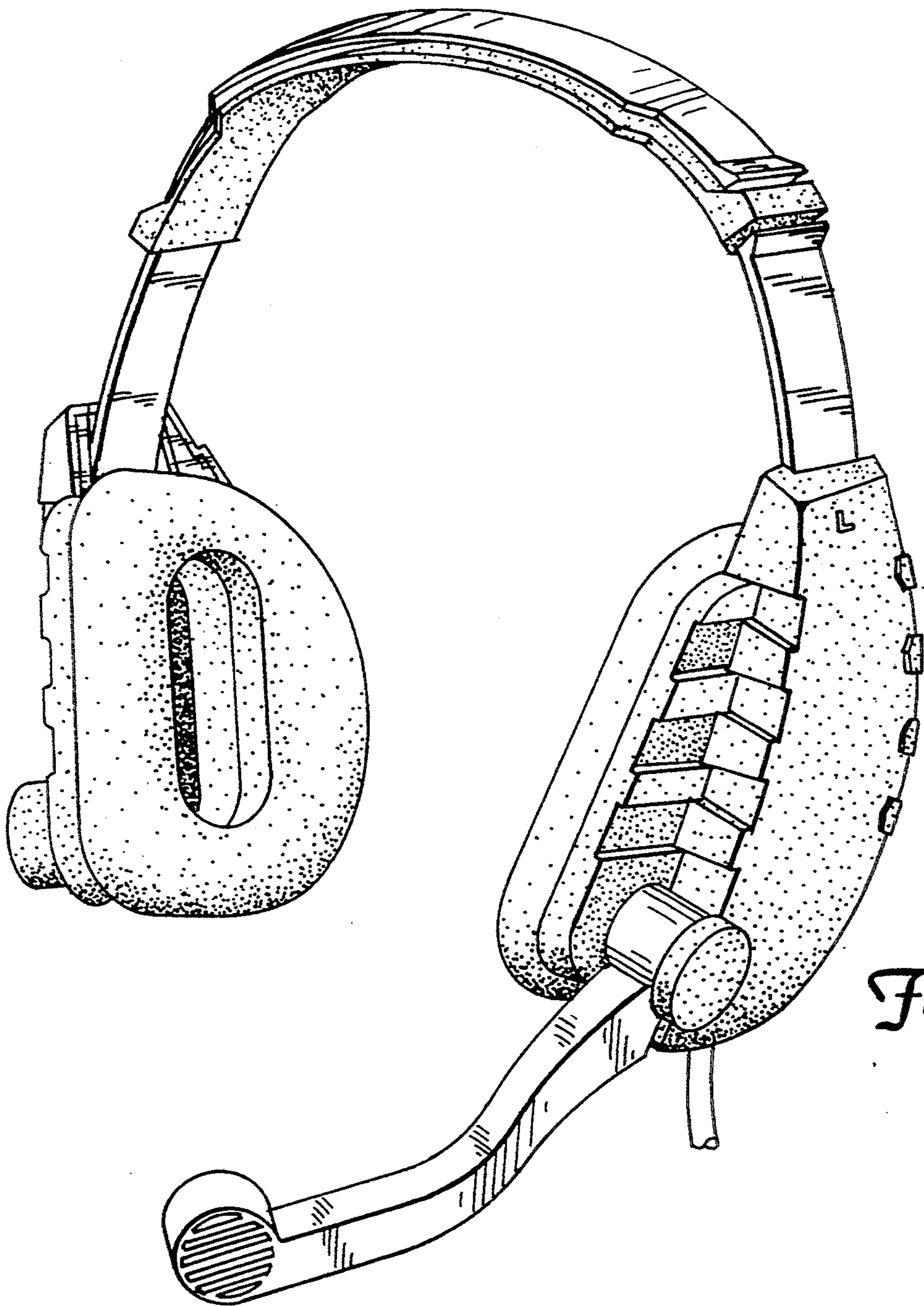


Fig. 1

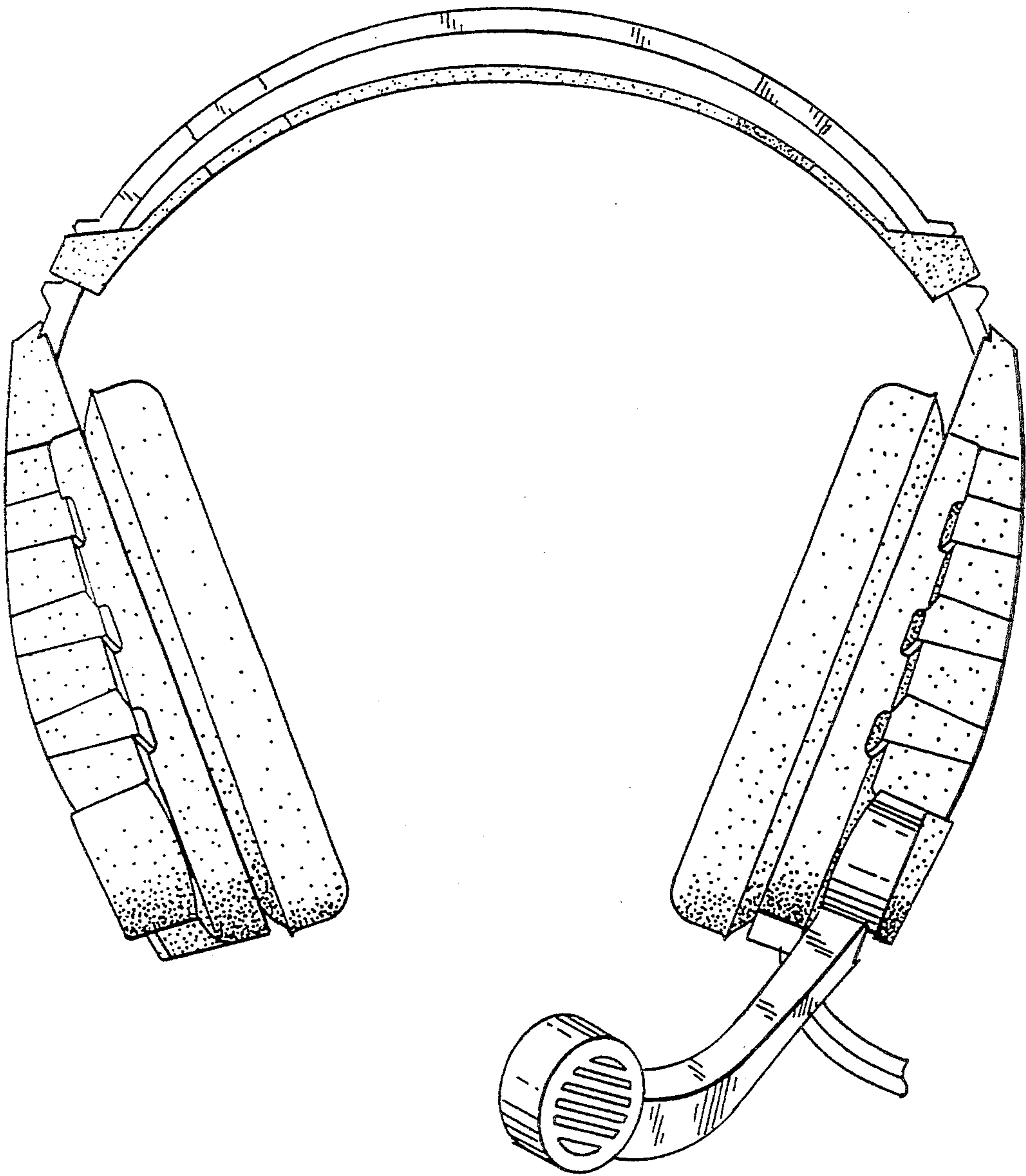
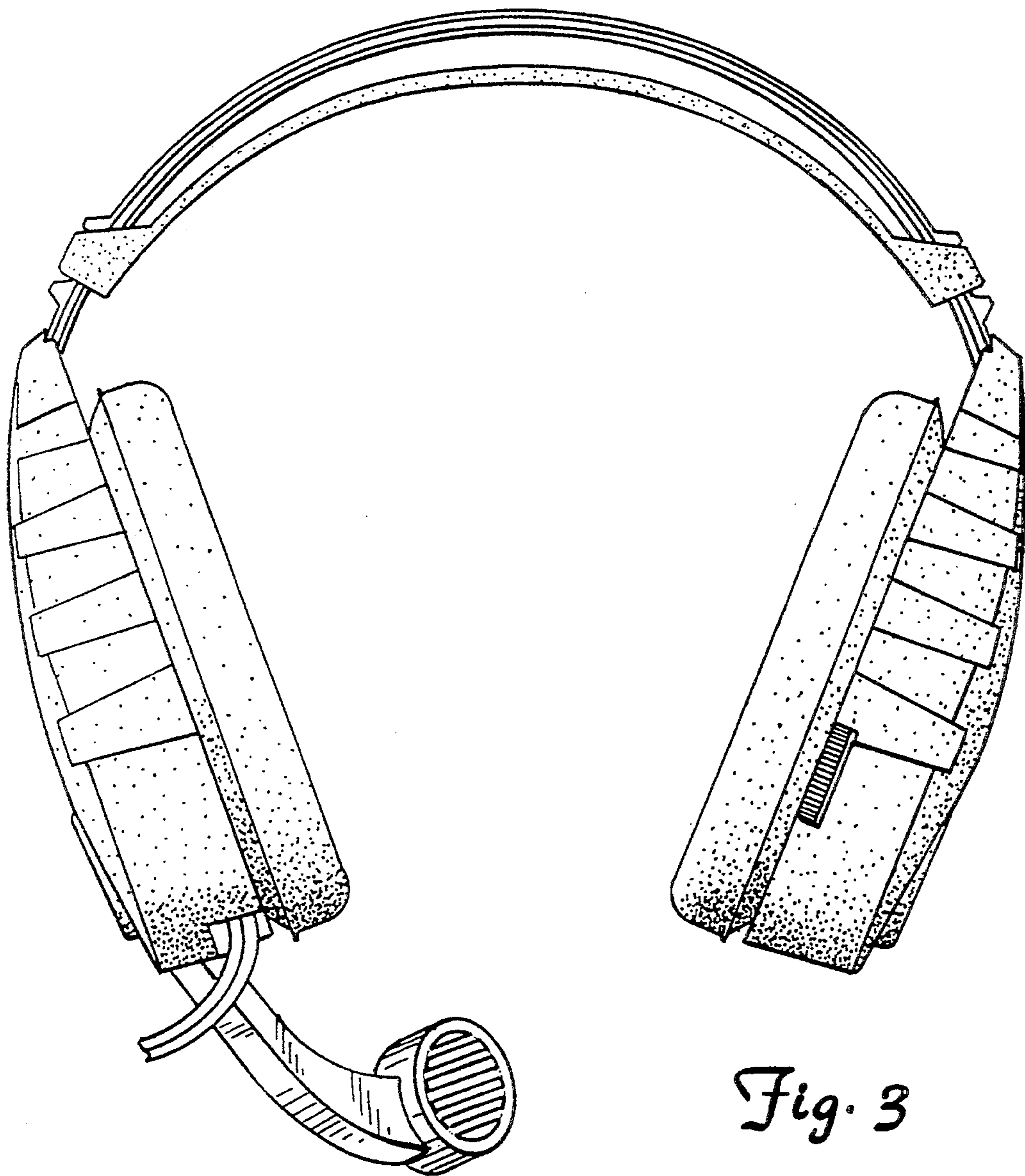


Fig 2



*Fig. 3*

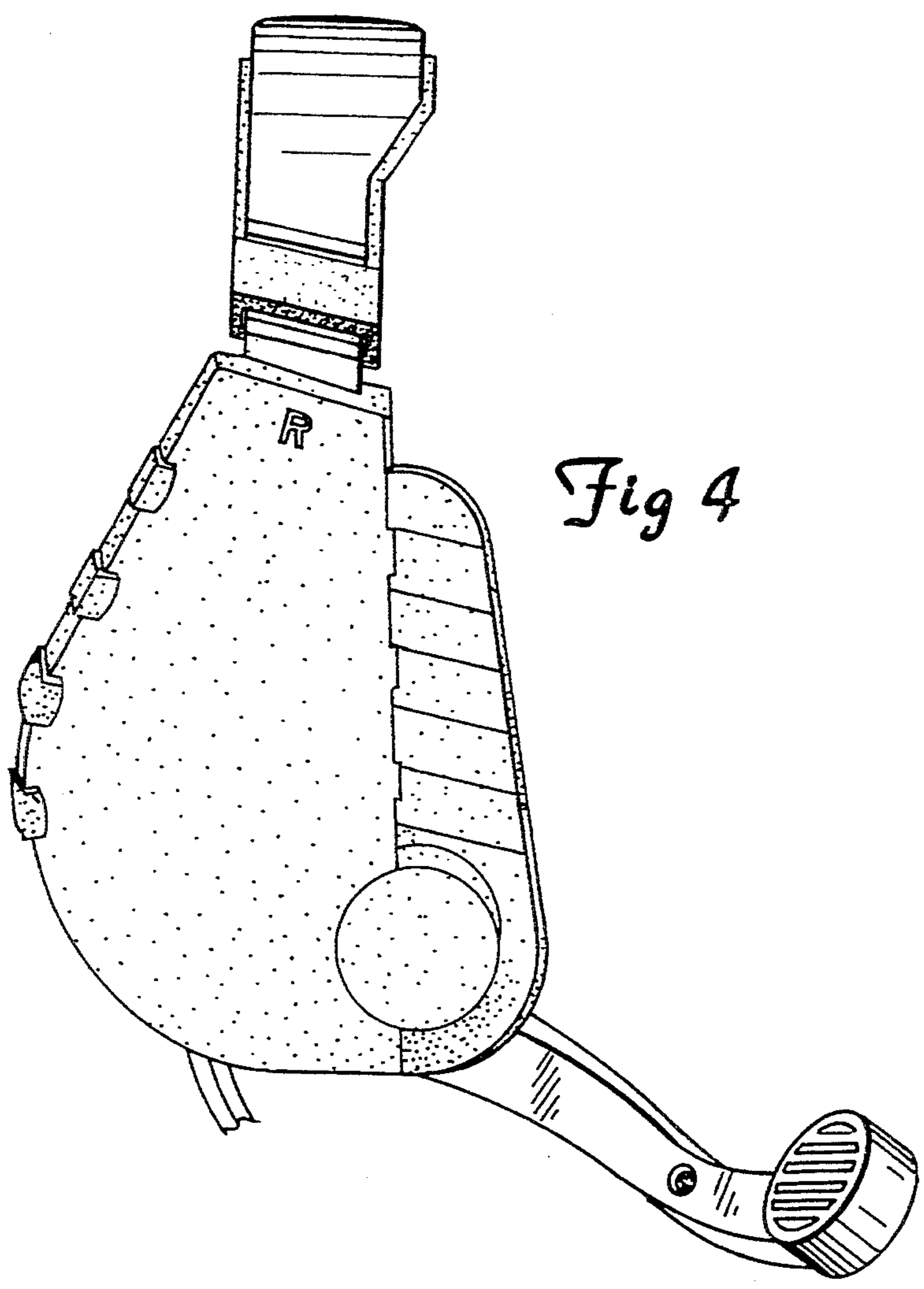


Fig 4

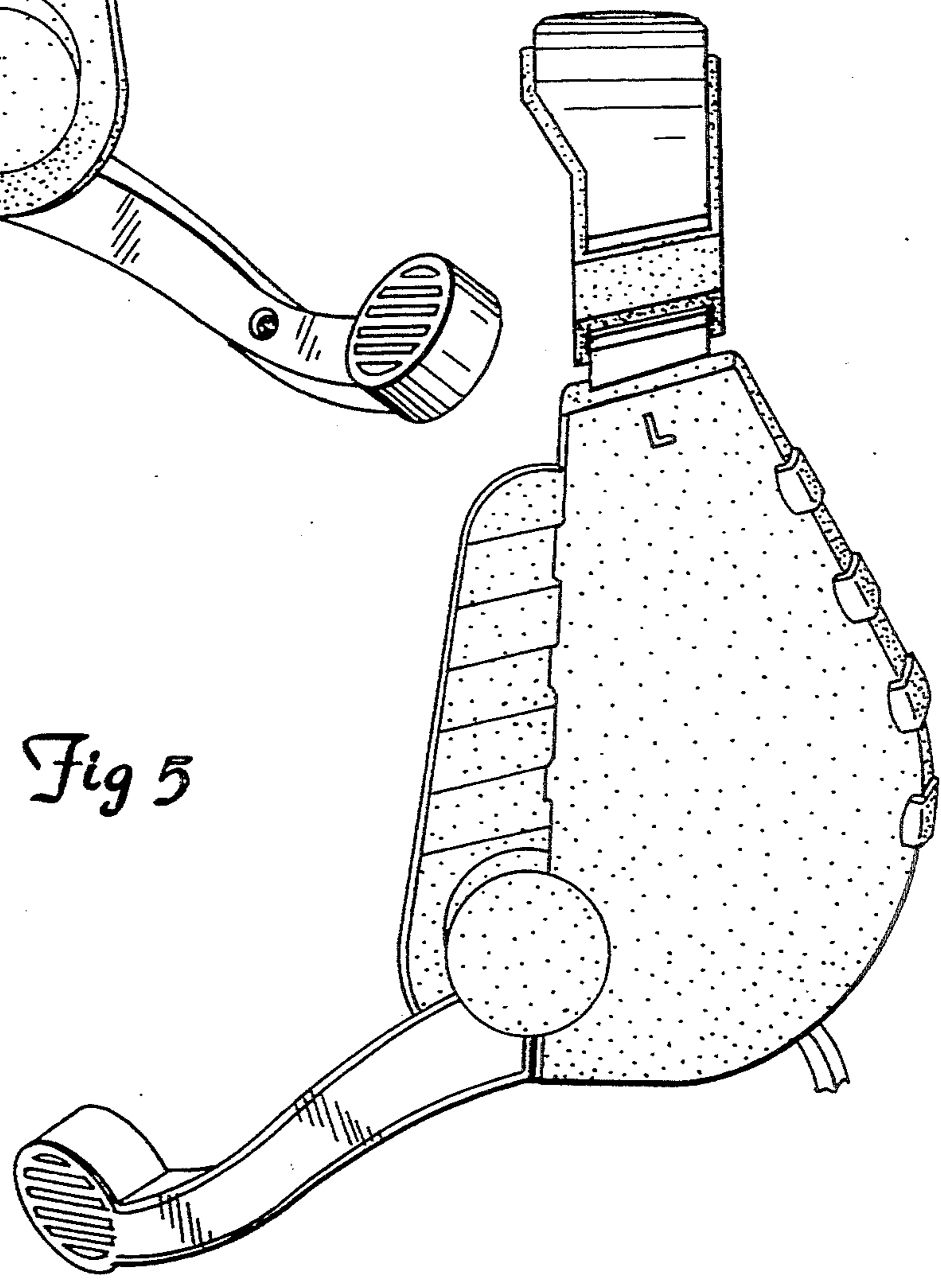
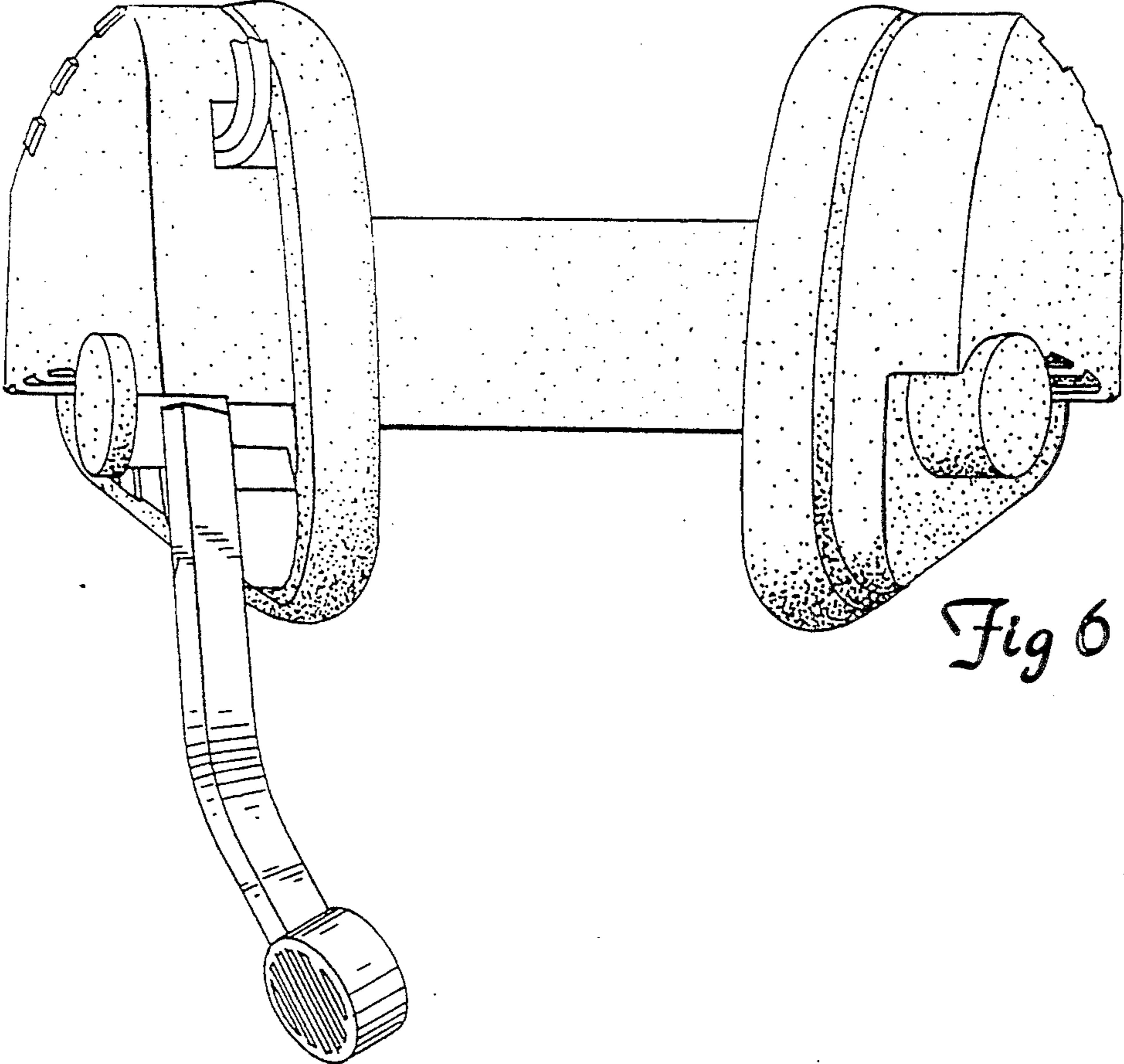
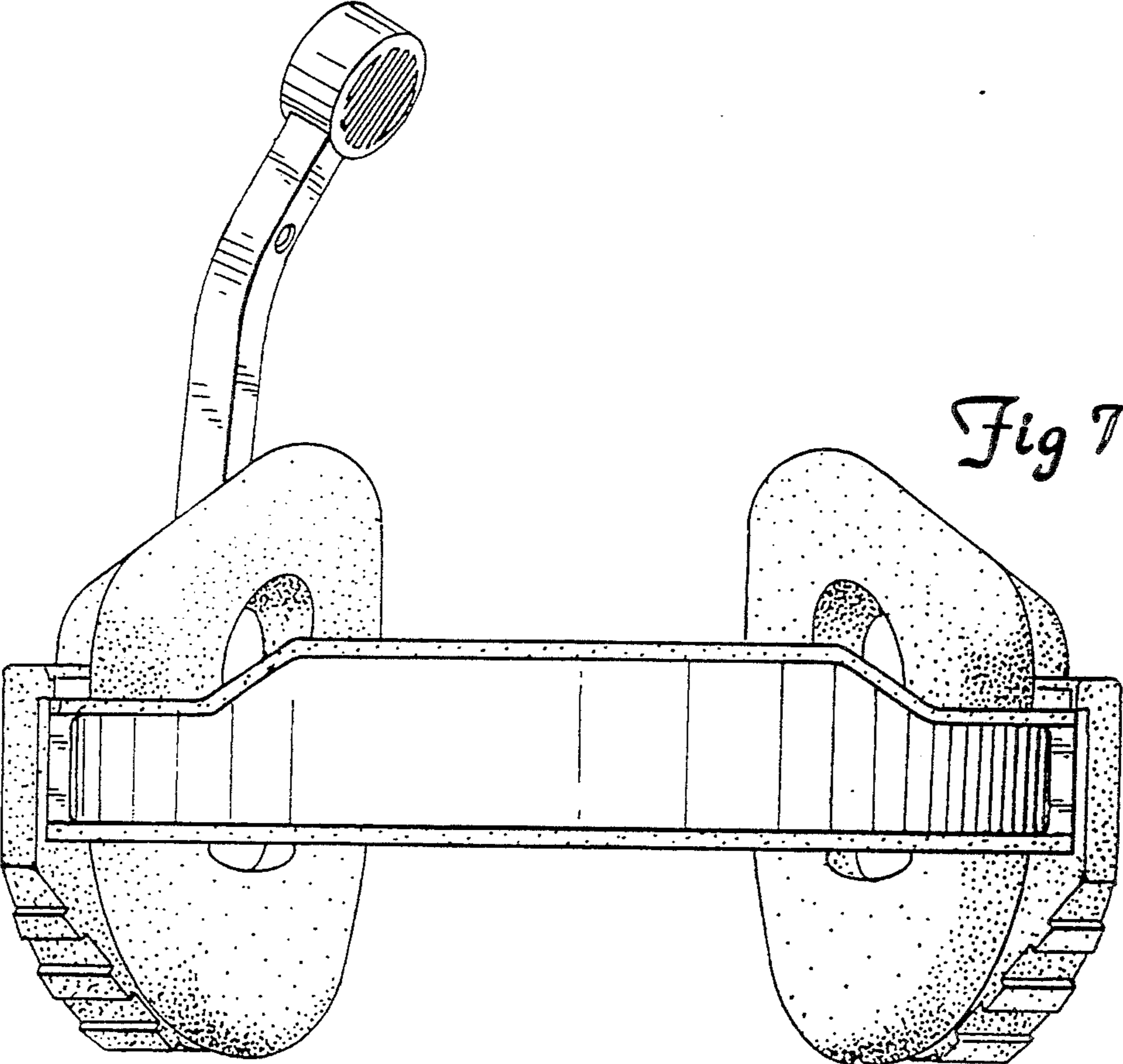


Fig 5



*Fig 6*



*Fig 7*