



US00D357470S

United States Patent [19]

[11] Patent Number: **Des. 357,470**

Bergdoll et al.

[45] Date of Patent: **** Apr. 18, 1995**

[54] **COMBINED HORIZONTAL AND VERTICAL ADJUSTABLE HINGE MECHANISM AND COMPUTER MONITOR FILTER**

[75] Inventors: **James Bergdoll, Babylon; Paul Levy, New York, both of N.Y.**

[73] Assignee: **Ergo View Technologies Corp., New York, N.Y.**

[**] Term: **14 Years**

[21] Appl. No.: **940,705**

[22] Filed: **Sep. 4, 1992**

[52] U.S. Cl. **D14/114**

[58] Field of Search **D14/239, 113-114; D18/12; 358/64, 231, 250, 252, 255; 359/601, 608-610, 614, 599, 894; 248/316.1, 316.5, 316.7, 298, 917-924; D16/135; D8/354, 373**

[56] **References Cited**

U.S. PATENT DOCUMENTS

D. 291,279	8/1987	Bergeron	D8/354 X
D. 298,250	10/1988	Kildall	D14/114
D. 298,604	11/1988	Newton	D8/354 X
D. 309,607	7/1990	Nemeth	D14/114
1,470,553	10/1923	Church	248/293 X
4,529,268	7/1986	Brown	.	
4,633,322	12/1986	Fourny	.	

4,652,085	3/1987	Selling et al.	.	
4,712,870	12/1987	Robinson et al.	.	
4,848,874	7/1989	Mui et al.	.	
4,863,242	9/1989	Correa	.	
4,958,907	9/1990	Davis	359/809
5,004,320	4/1991	Nagai et al.	.	
5,030,882	7/1991	Solero	.	
5,035,392	7/1991	Gross et al.	248/918 X

Primary Examiner—James M. Gandy
Assistant Examiner—M. H. Tung
Attorney, Agent, or Firm—Rosenman & Colin

[57] **CLAIM**

The ornamental design for a combined horizontal and vertical adjustable hinge mechanism and computer monitor filter, as shown and described.

DESCRIPTION

FIG. 1 is a perspective view of a combined horizontal and vertical adjustable hinge mechanism and computer monitor filter showing my new design, on a reduced scale;
FIG. 2 is a front elevational view thereof;
FIG. 3 is a rear elevational view thereof;
FIG. 4 is a left side elevational view thereof;
FIG. 5 is a right side elevational view thereof;
FIG. 6 is a top plan view thereof; and,
FIG. 7 is a bottom plan view thereof.

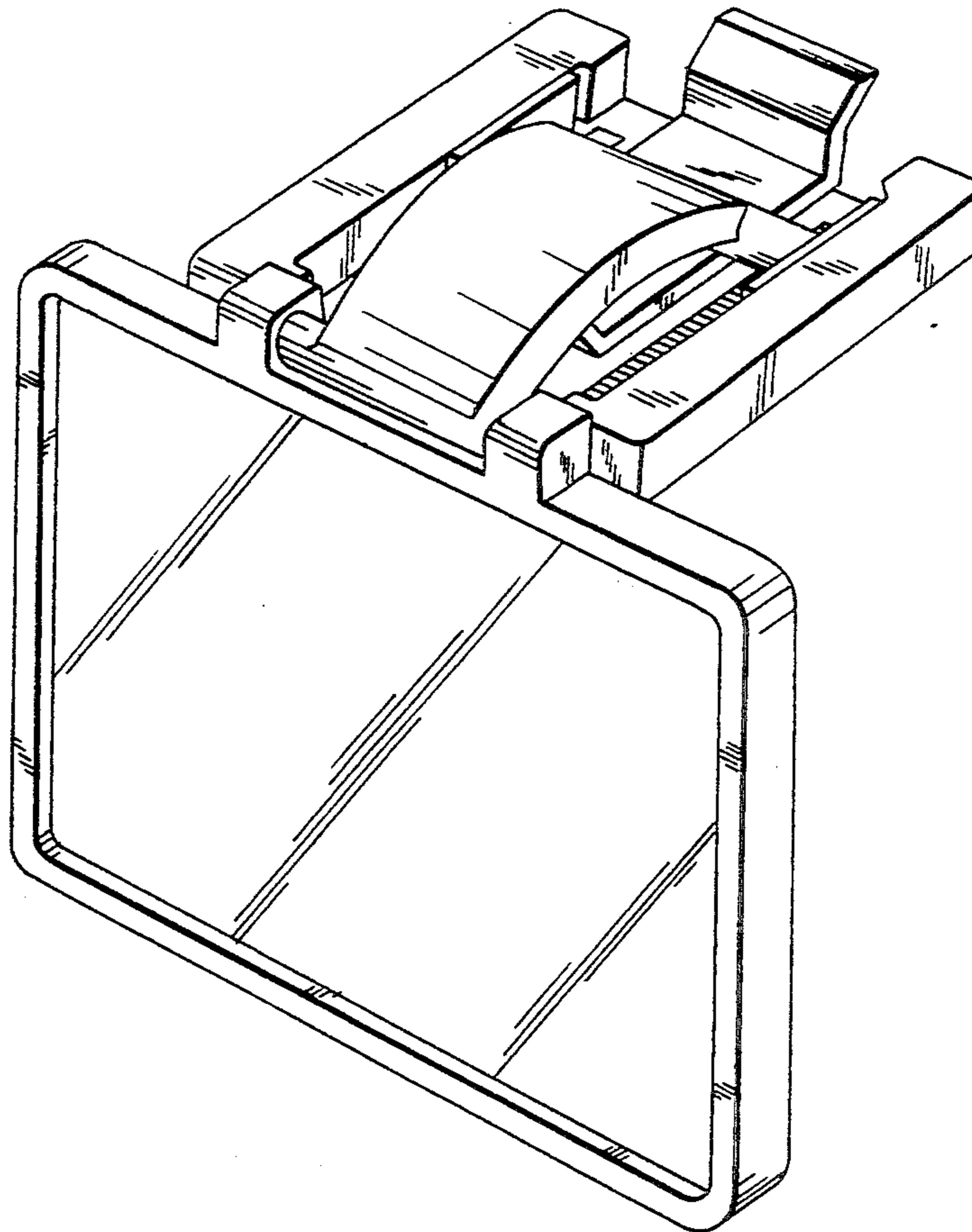


FIG. 1

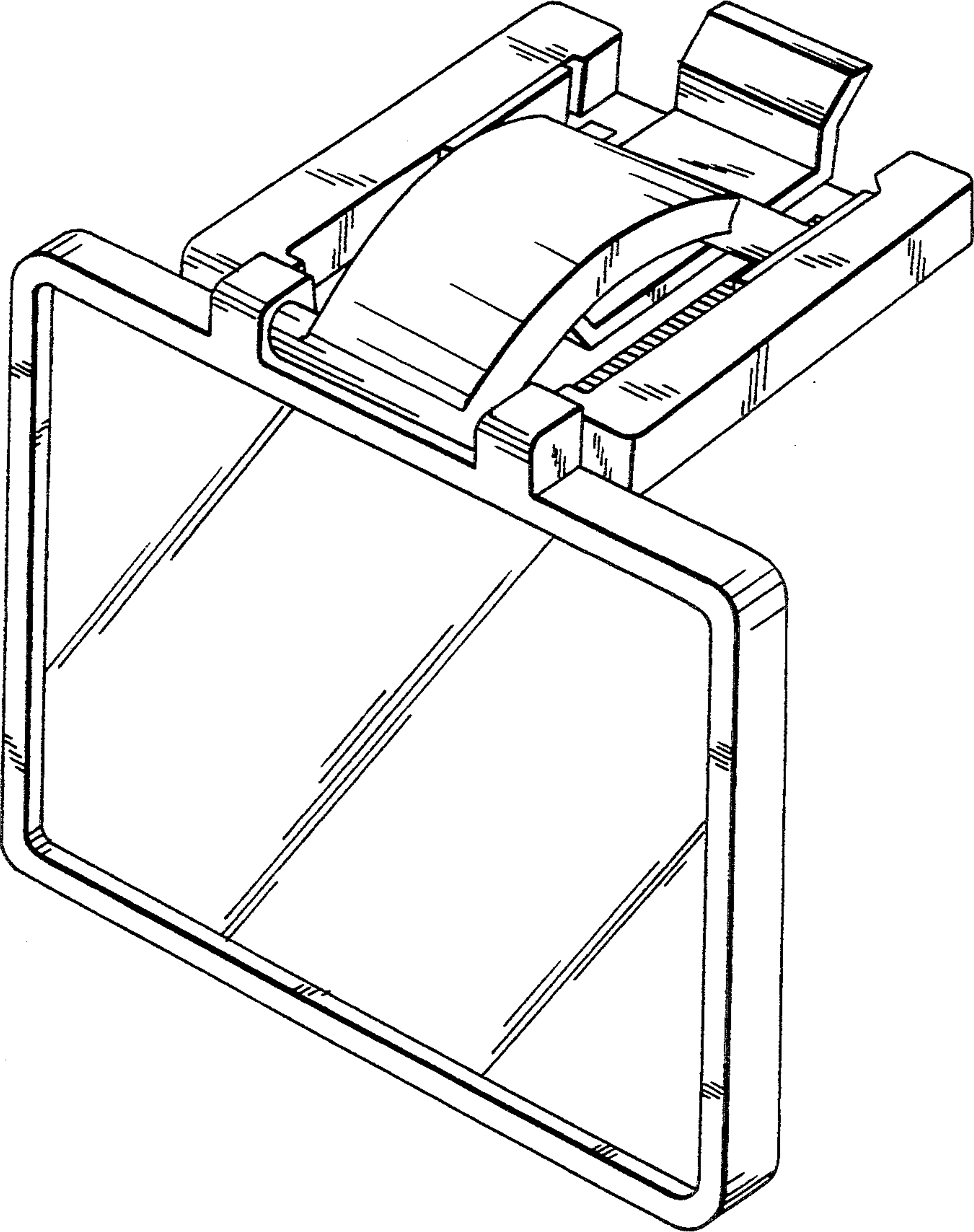
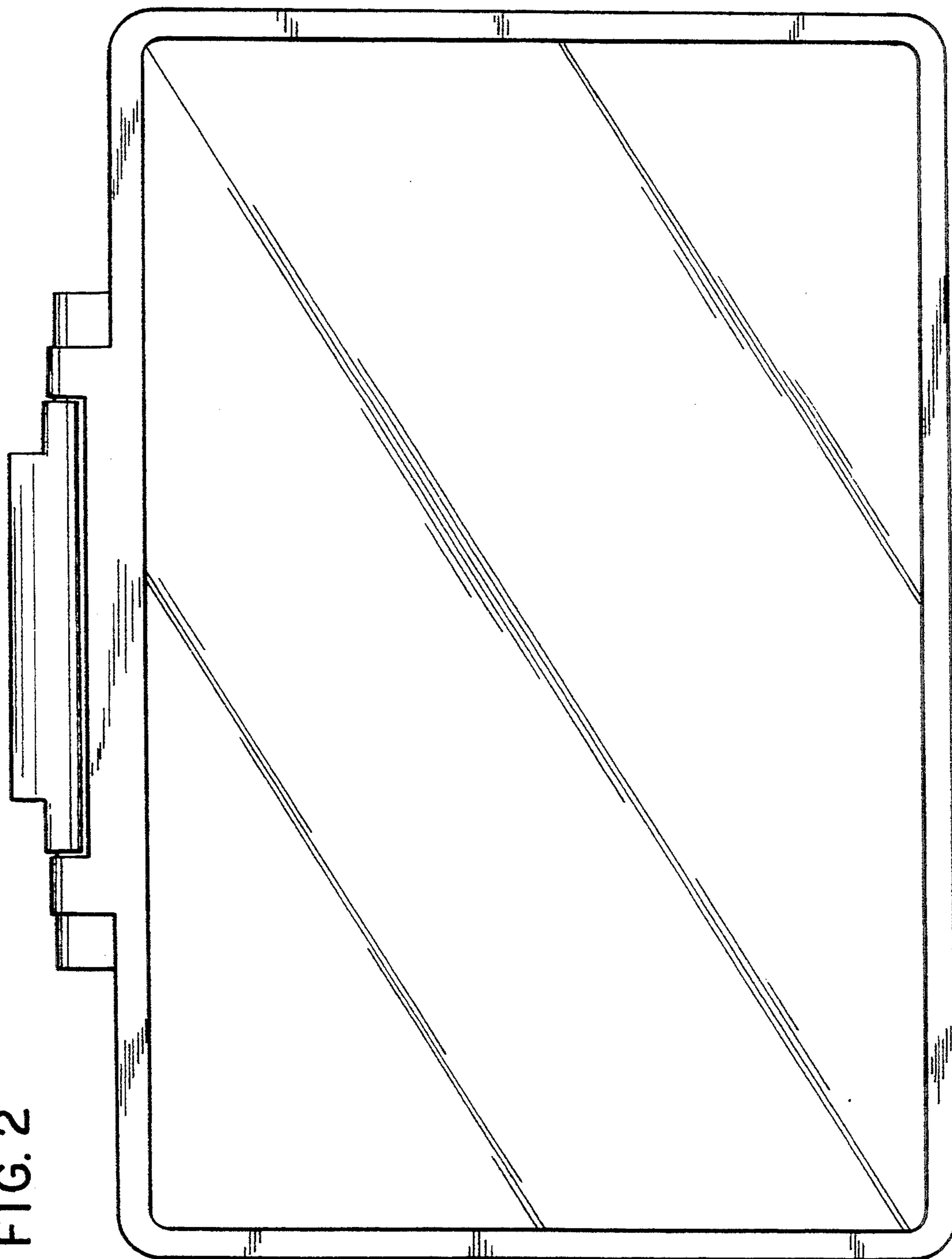


FIG. 2



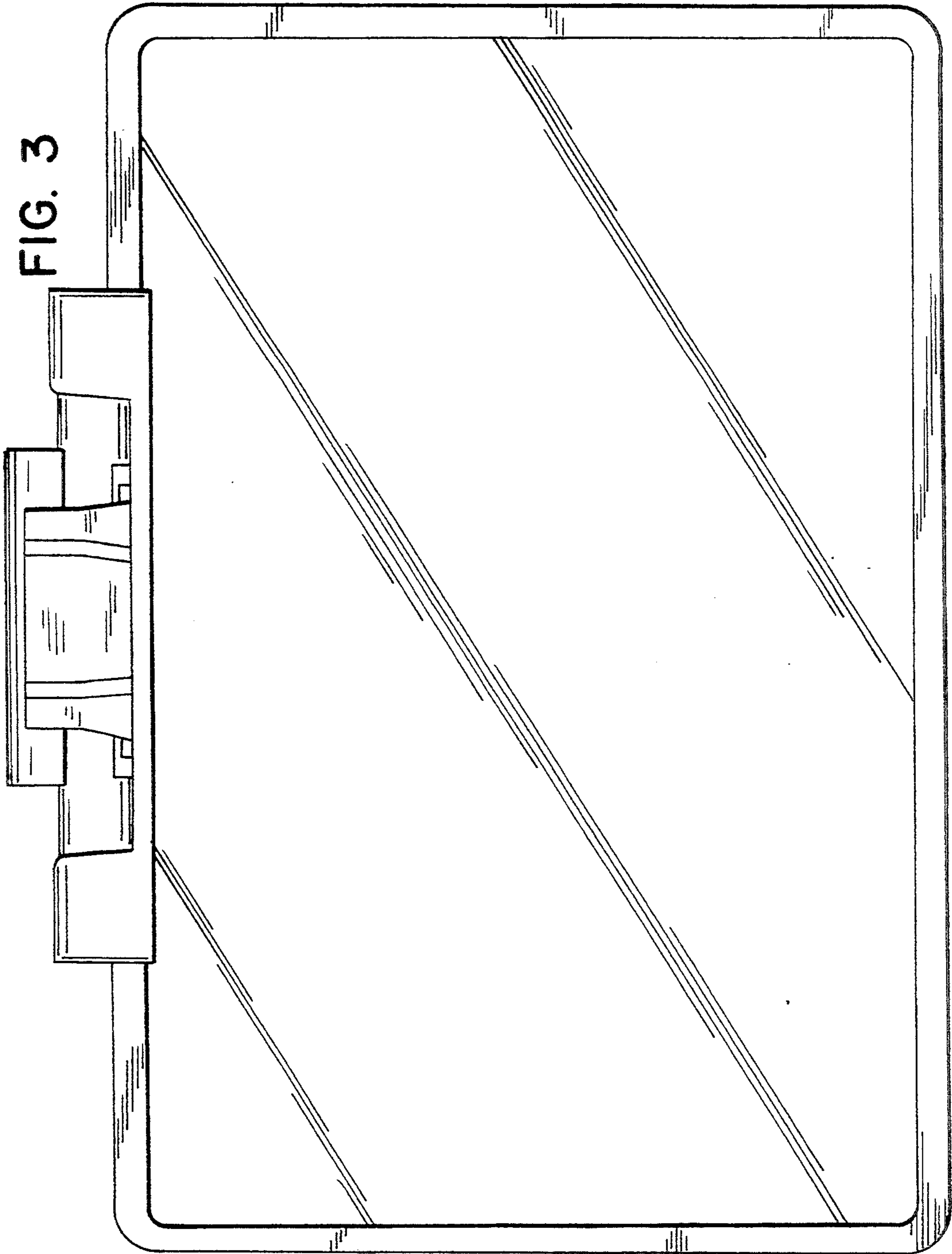


FIG. 4

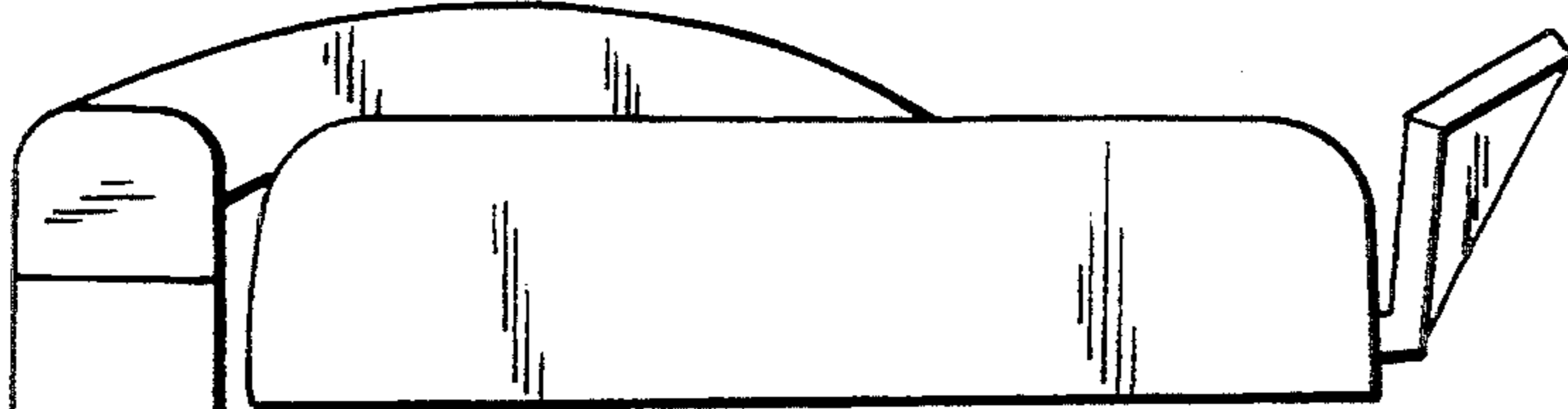


FIG. 5

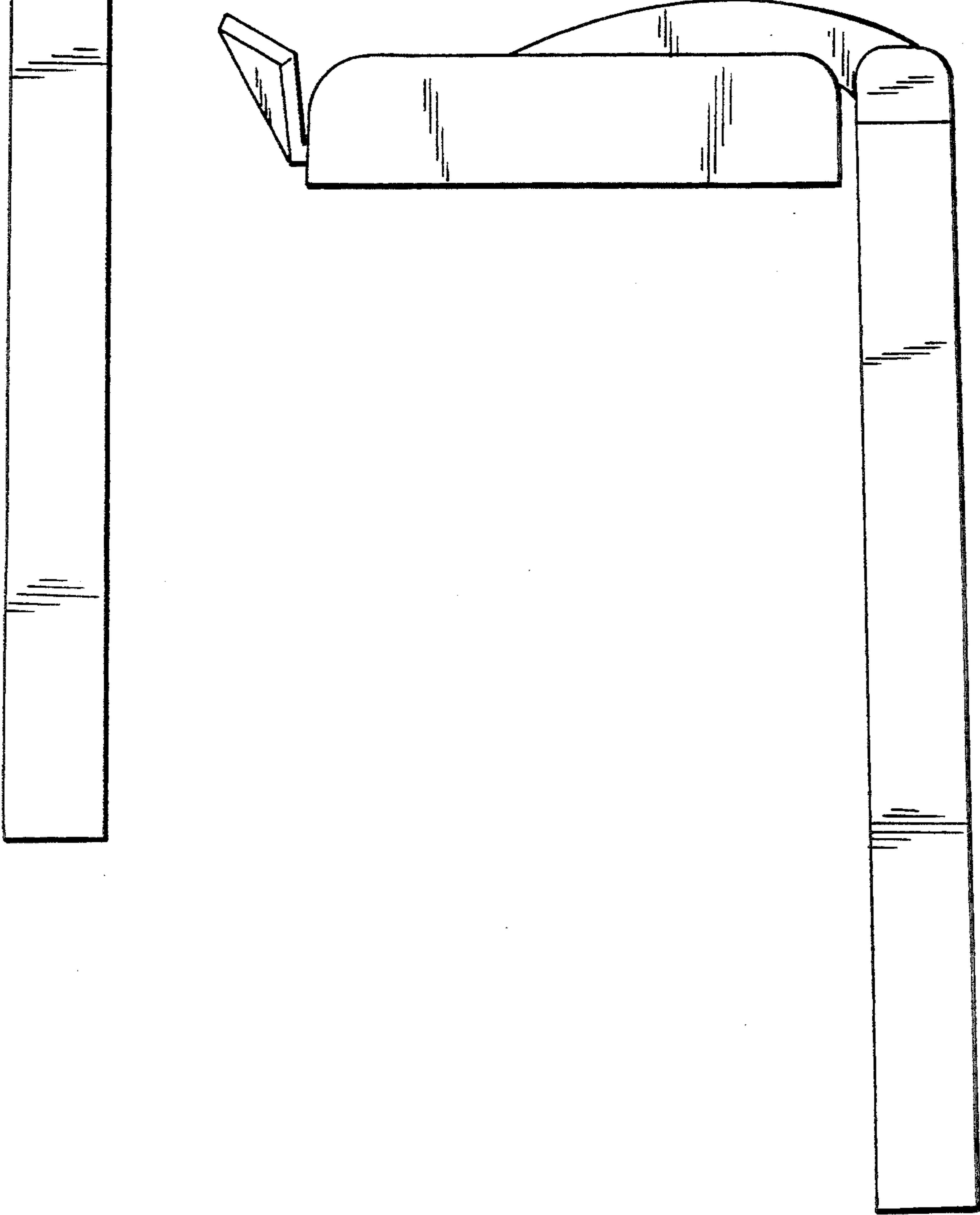


FIG. 6

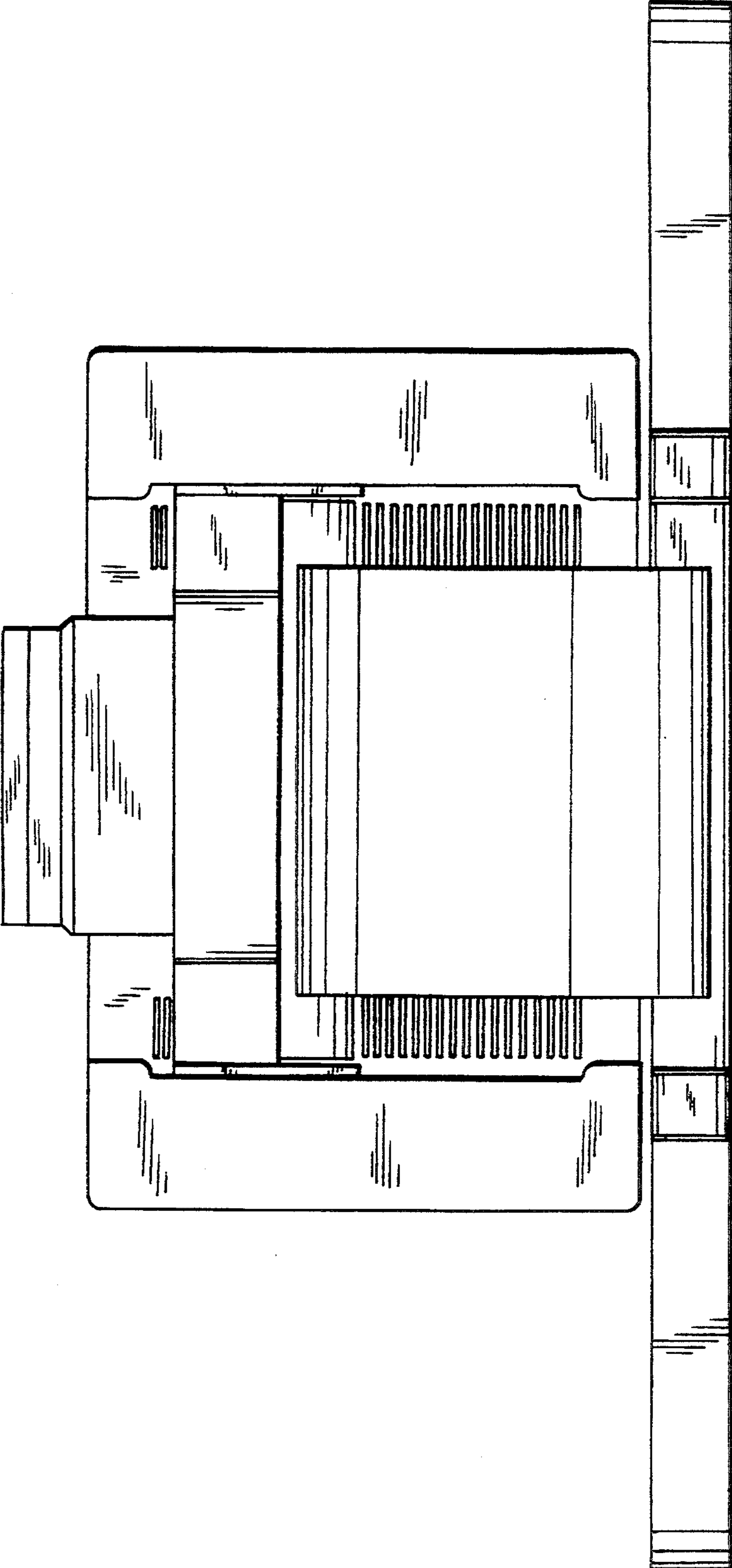


FIG. 7

