



US00D357468S

United States Patent [19]

[11] Patent Number: **Des. 357,468**

Rodd

[45] Date of Patent: **** Apr. 18, 1995**

[54] **FLAT PANEL COMPUTER MONITOR**

[56] **References Cited**

[75] Inventor: **Timothy J. Rodd**, Emery Town, United Kingdom

U.S. PATENT DOCUMENTS

- D. 303,790 10/1989 Kato et al. D14/106
- D. 305,646 1/1990 Kato et al. D14/113
- D. 305,647 1/1990 Kato et al. D14/113

[73] Assignee: **International Business Machines Corporation**, Armonk, N.Y.

Primary Examiner—Freda S. Nunn
Attorney, Agent, or Firm—Bernard D. Bogdon

[**] Term: **14 Years**

[57] CLAIM

The ornamental design for a flat panel computer monitor, as shown and described.

[21] Appl. No.: **14,197**

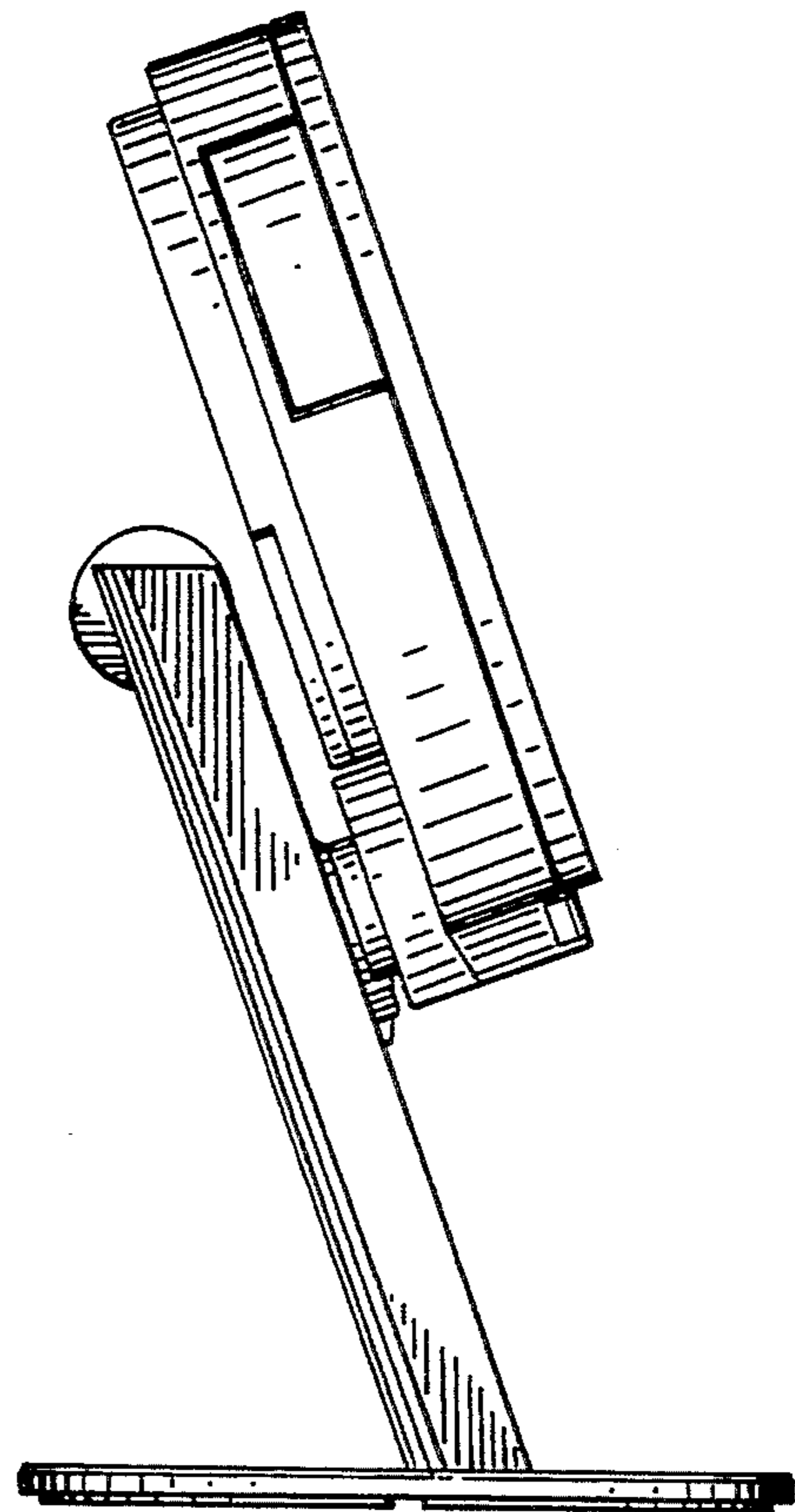
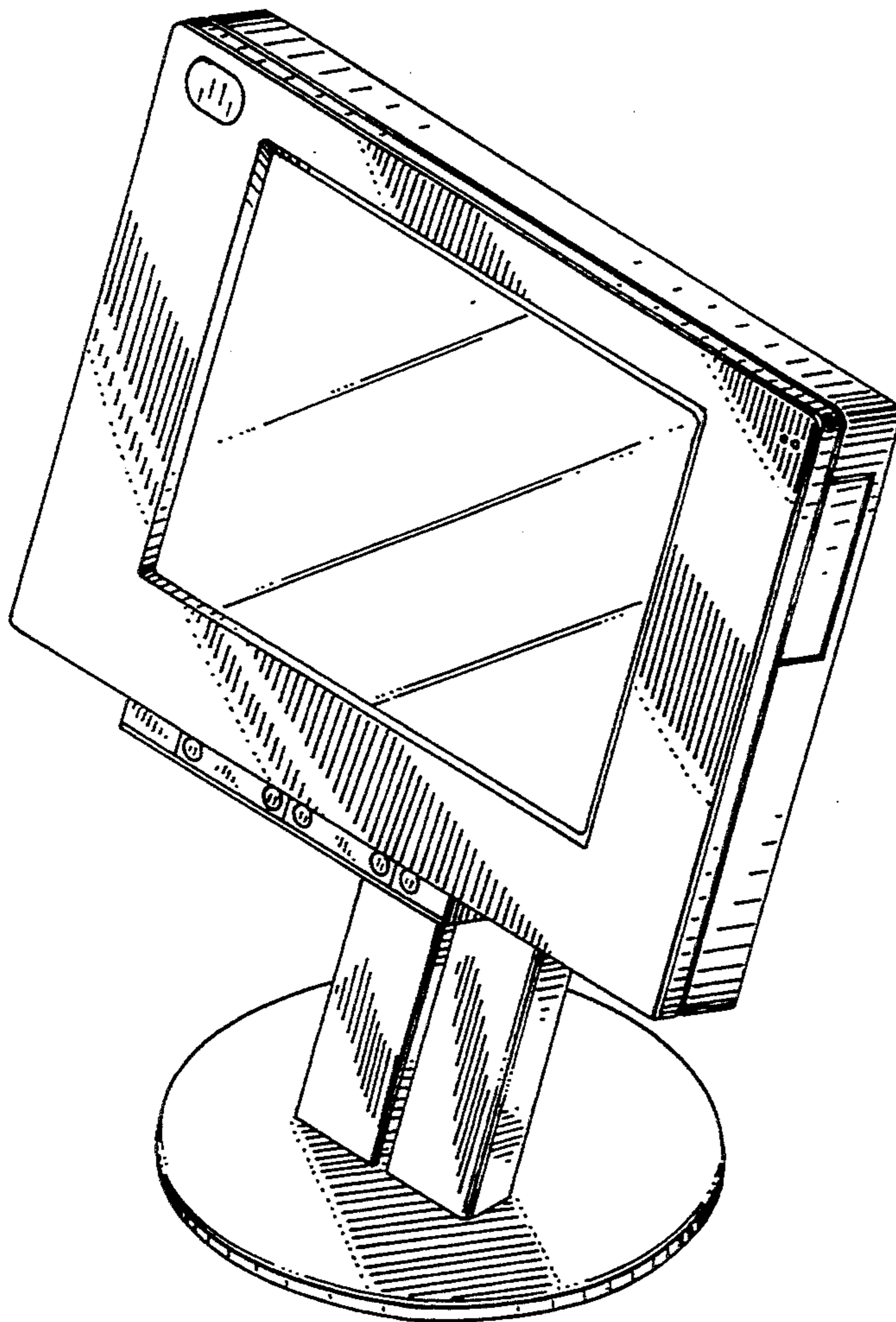
DESCRIPTION

[22] Filed: **Oct. 15, 1993**

FIG. 1 is a front top and right side perspective view of a flat panel computer monitor showing the new design; FIG. 2 is a rear top left side perspective view thereof; FIG. 3 is a rear elevational view thereof on an enlarged scale; FIG. 4 is a front elevational view thereof; FIG. 5 is a right side elevational view thereof; FIG. 6 is a left side elevational view thereof; FIG. 7 is a top plan view thereof; and, FIG. 8 is a bottom plan view thereof.

[30] Foreign Application Priority Data

- Apr. 17, 1993 [GB] United Kingdom 2030451
- [52] U.S. Cl. **D14/113**
- [58] Field of Search D14/100, 101, 106, 113, D14/124-127, 129; 345/87, 104, 133, 156, 168, 173, 901-905; 248/917-924; 358/249, 254, 255



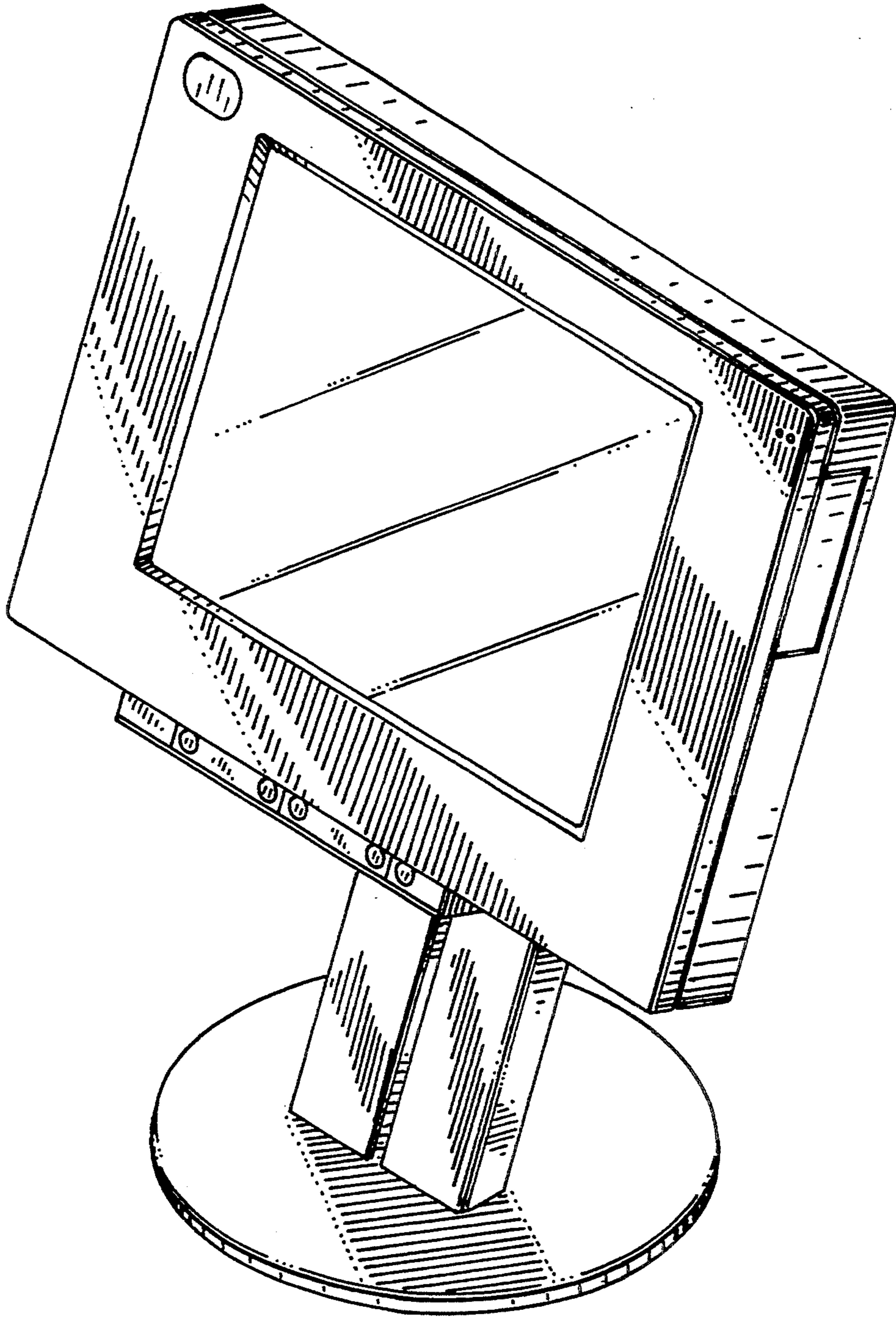


FIG. 1

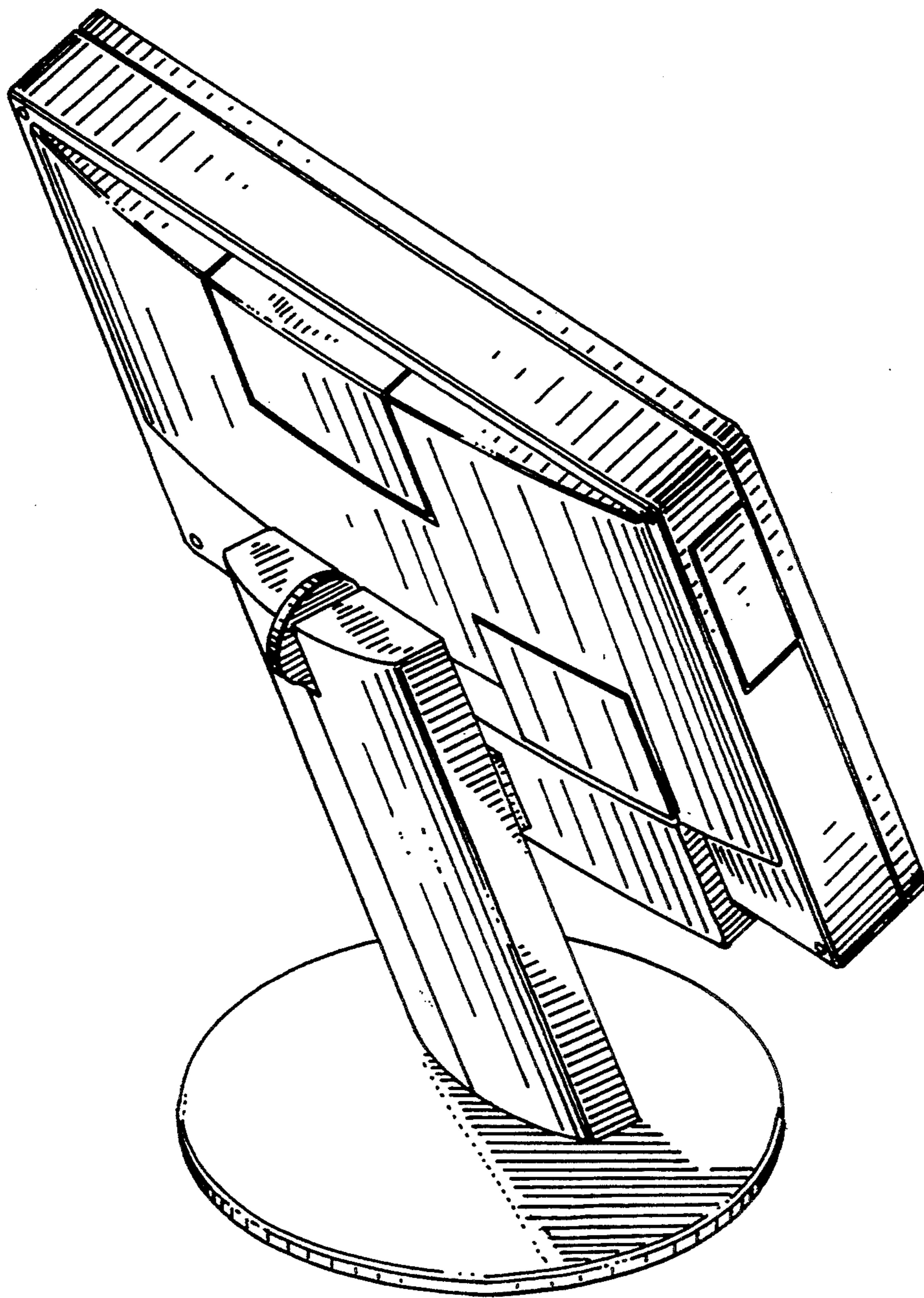


FIG. 2

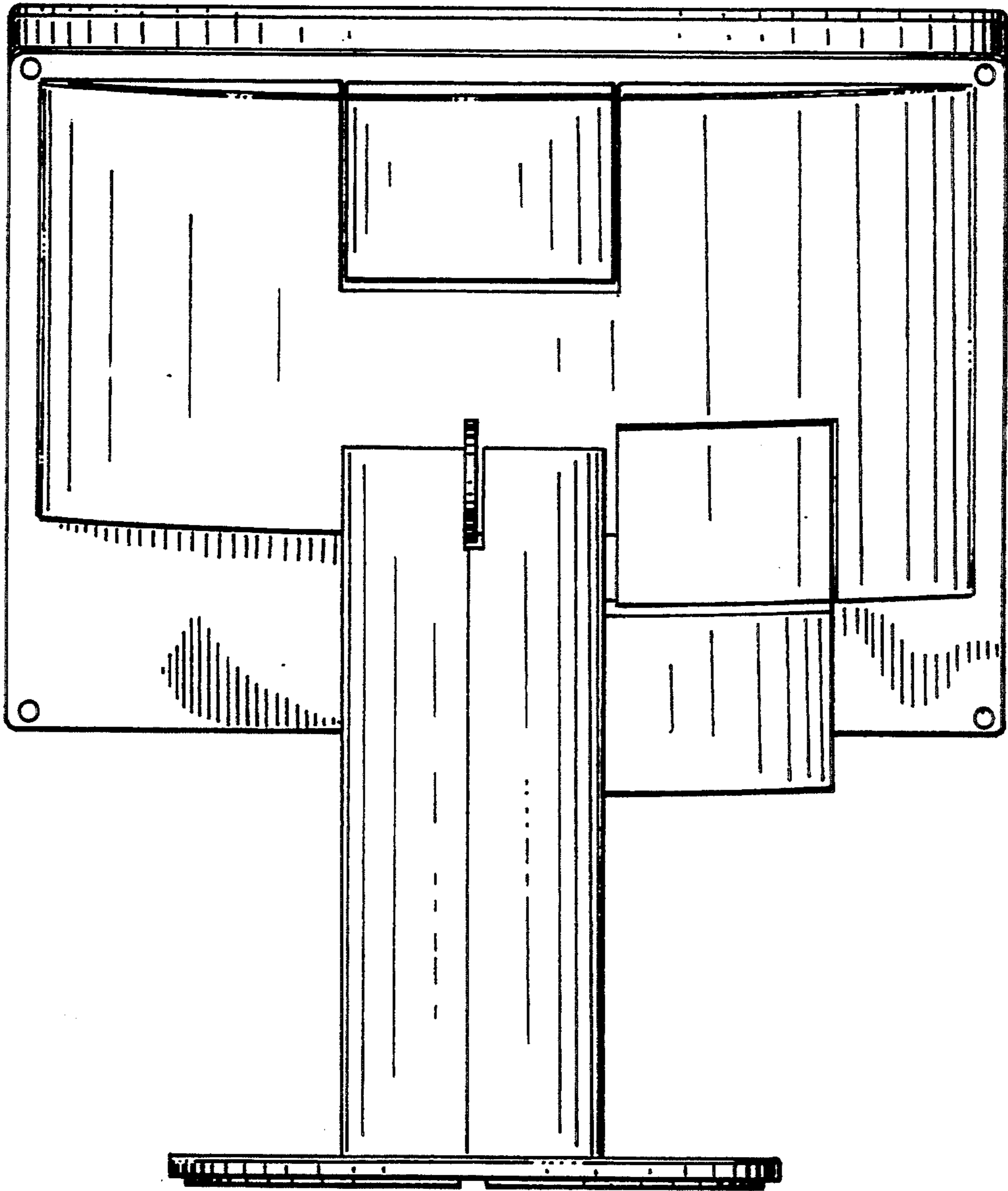


FIG. 3

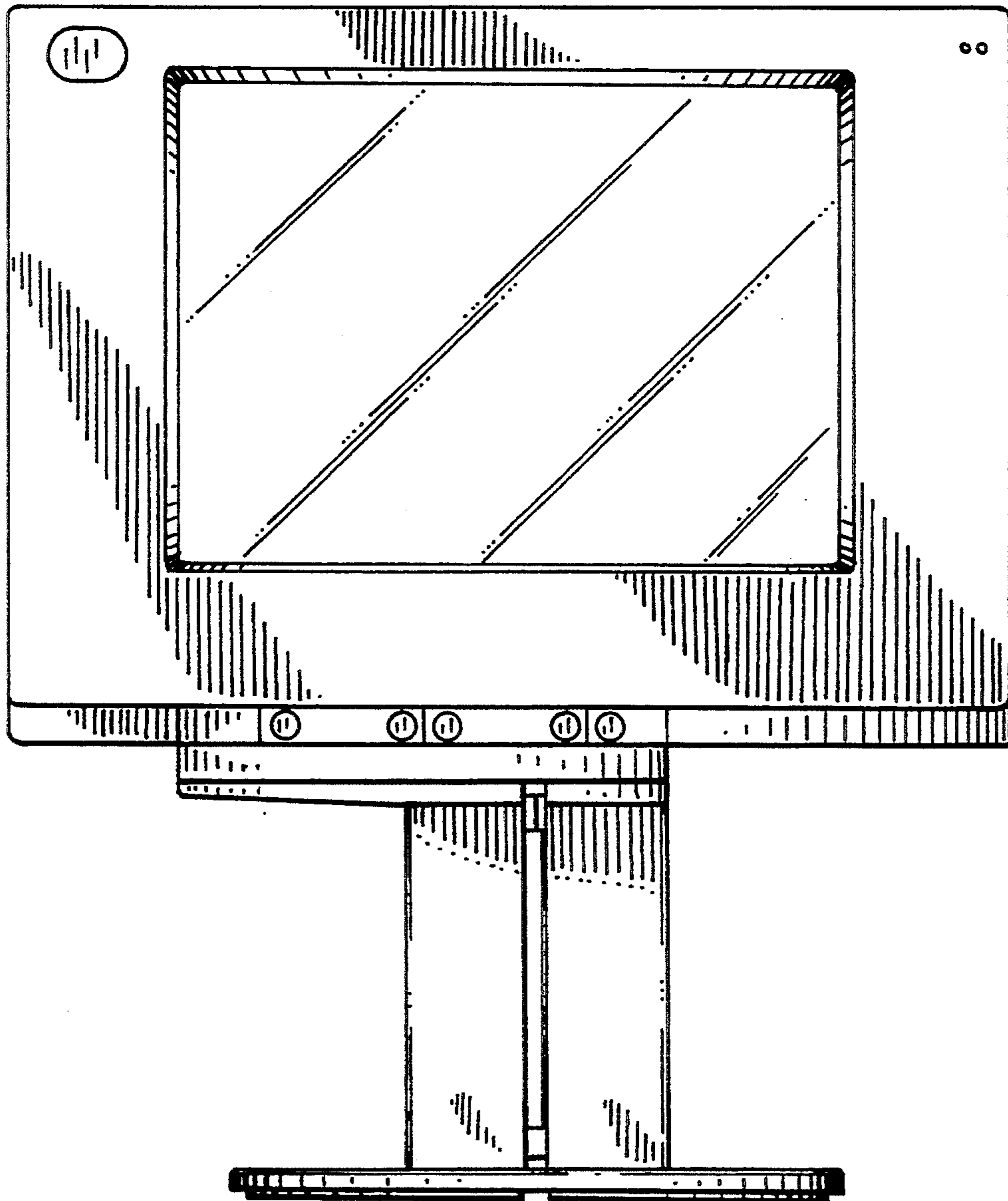


FIG. 4

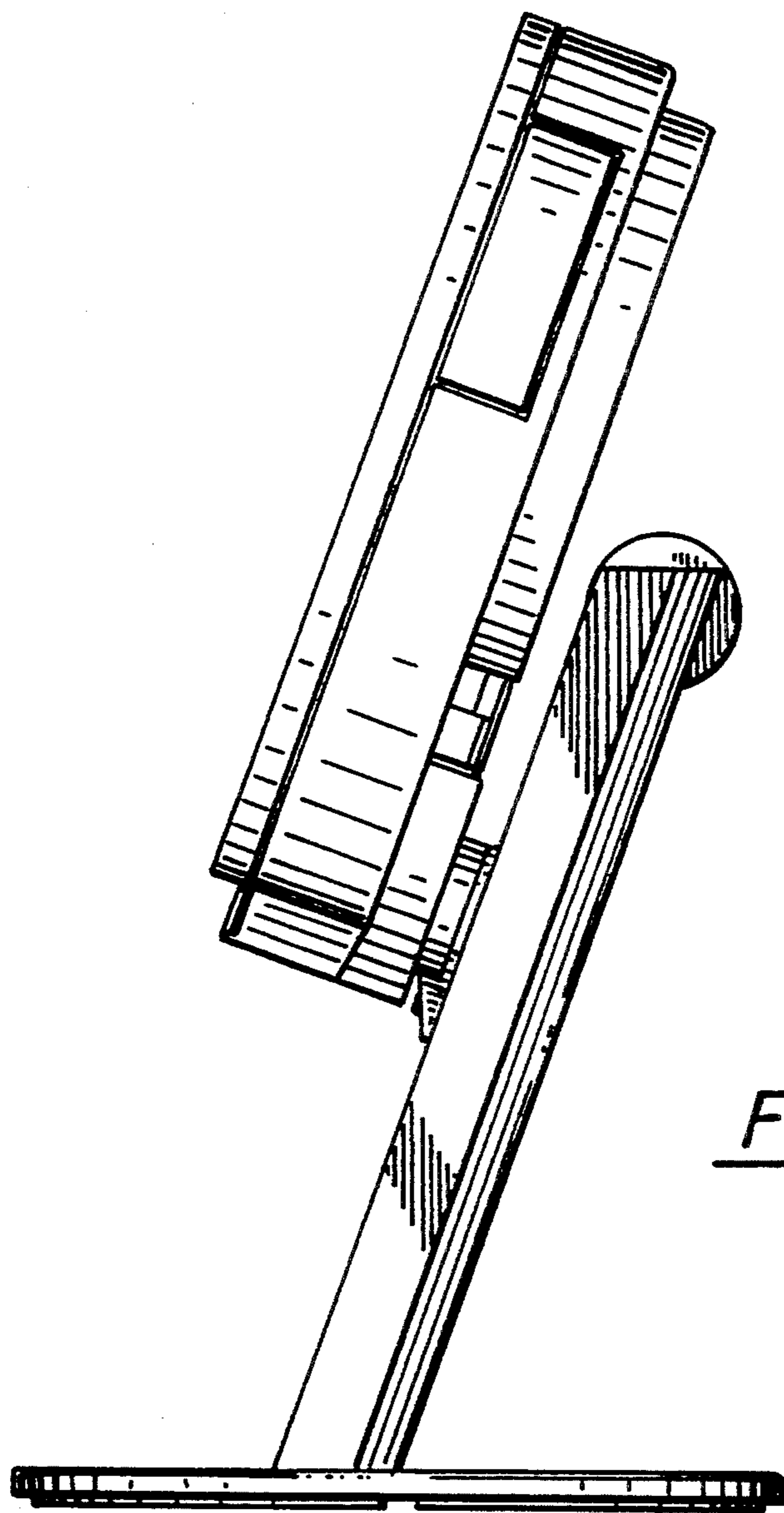


FIG. 5

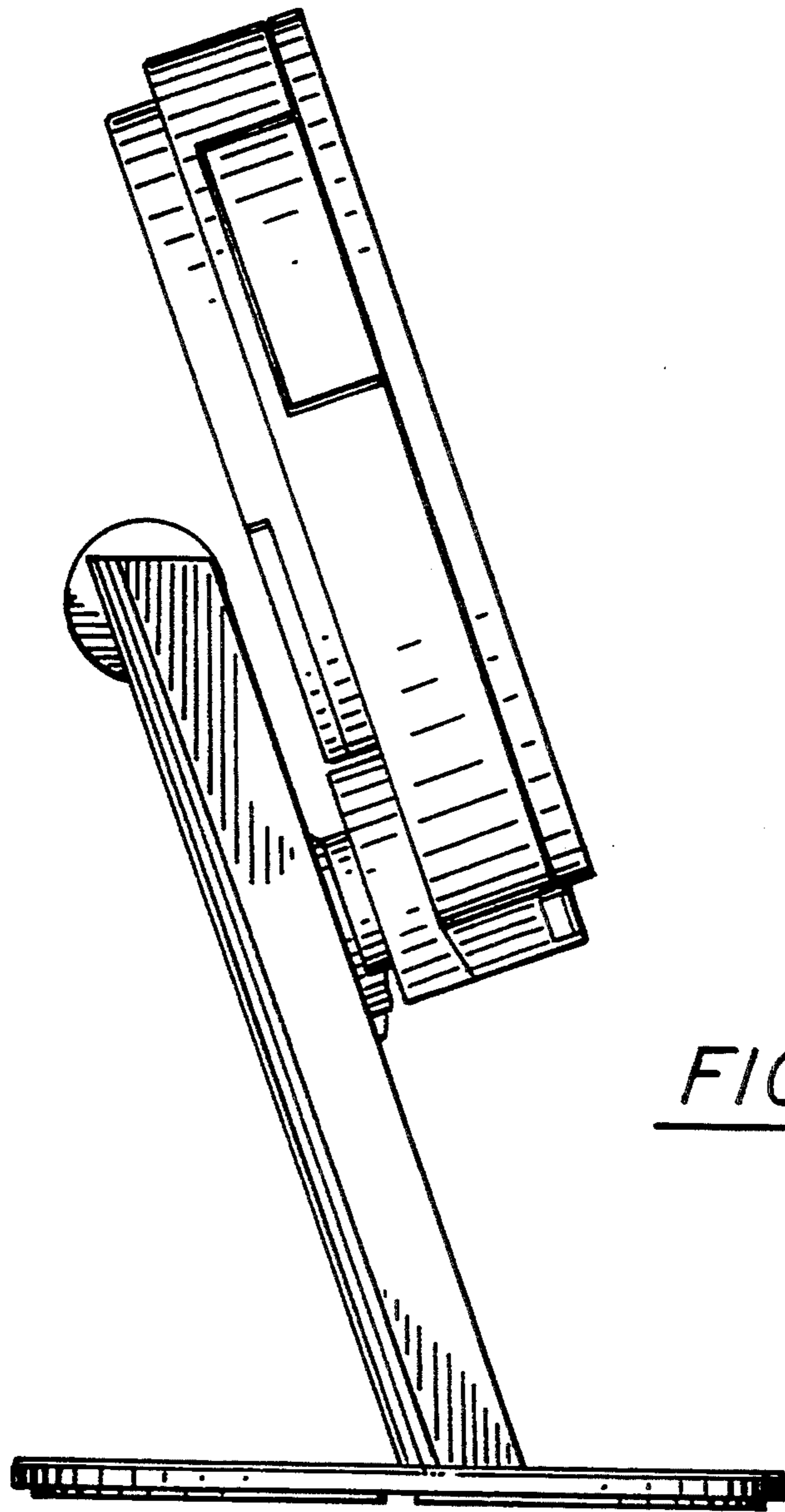


FIG. 6

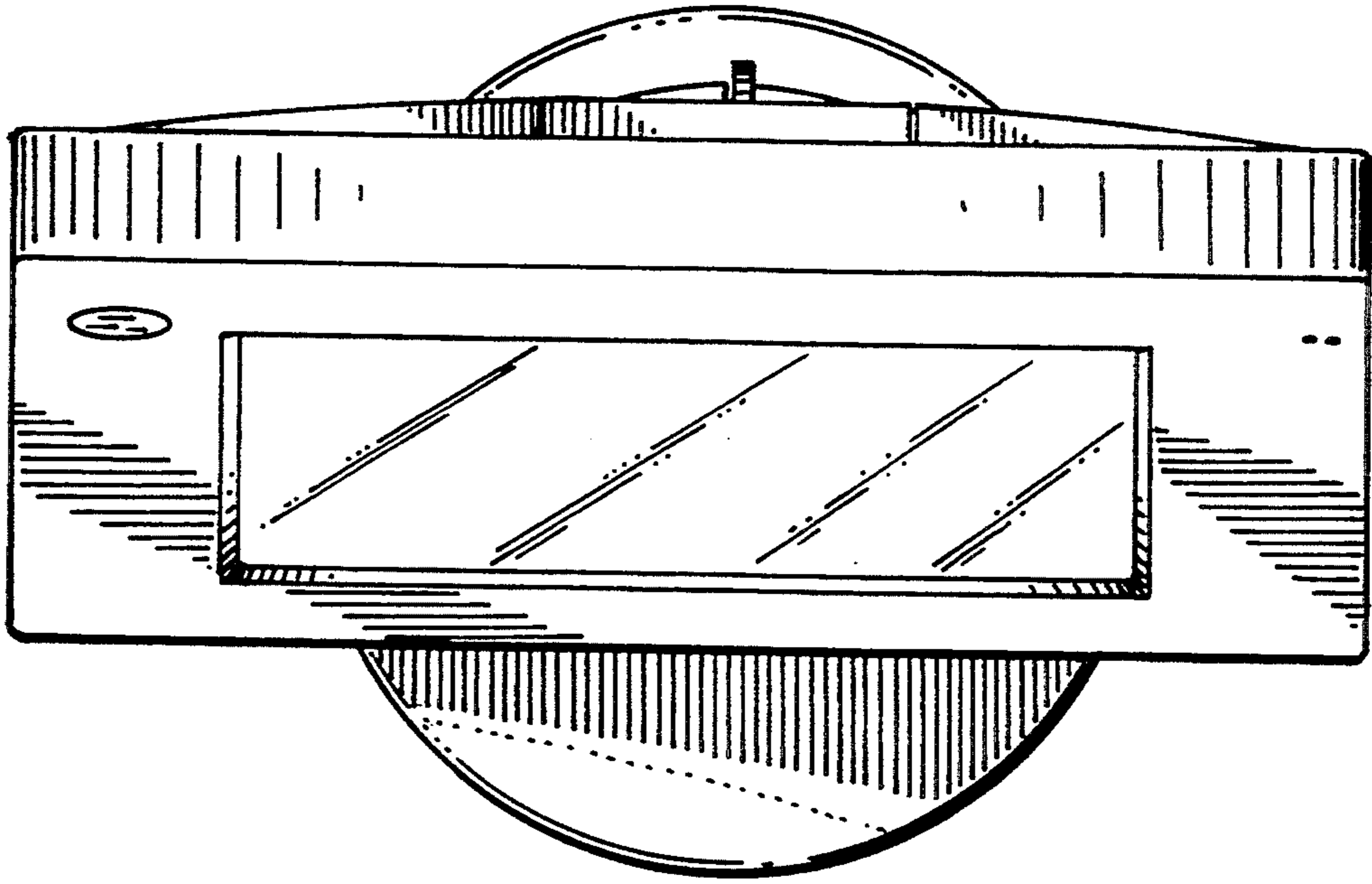


FIG. 7

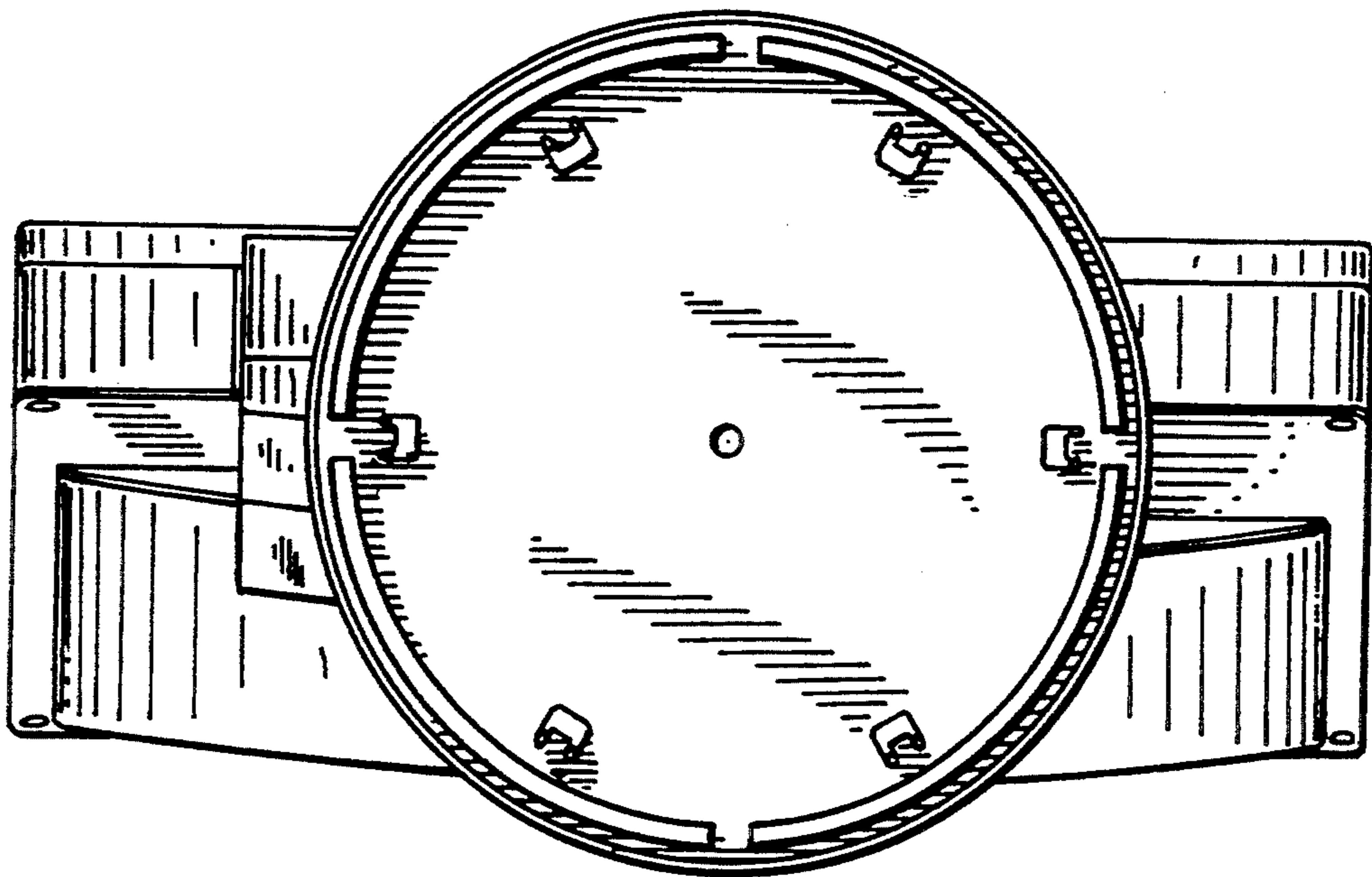


FIG. 8