



US00D357462S

United States Patent [19]

[11] Patent Number: **Des. 357,462**

Terasawa et al.

[45] Date of Patent: **** Apr. 18, 1995**

[54] **HYBRID INTEGRATED CIRCUIT FOR ELECTRIC POWER CONTROL**

4,943,686	7/1990	Kucharek	174/52.4
5,053,634	10/1991	Kakinuma	174/52.3 X
5,130,881	7/1992	Hilland	361/783 X

[75] Inventors: **Noriho Terasawa; Shin Soyano**, both of Kanagawa, Japan

OTHER PUBLICATIONS

Hybrid interface on p. 106 of *Electrical Design*, Feb. 4, 1993.

[73] Assignee: **Fuji Electric Co., Ltd.**, Kanagawa, Japan

Semiconductor on p. 126 of *Electrical Design*, Jan. 21, 1993.

[**] Term: **14 Years**

Primary Examiner—Joel Sincavage

[21] Appl. No.: **19,278**

[57] CLAIM

[22] Filed: **Feb. 28, 1994**

The ornamental design for a hybrid integrated circuit for electric power control, as shown.

[30] Foreign Application Priority Data

DESCRIPTION

Sep. 16, 1993 [JP] Japan 5-27995

[52] U.S. Cl. **D13/182**

[58] Field of Search D13/110, 182; 174/52.4, 174/261; 257/724, 787; 361/760, 774, 784, 785, 813

FIG. 1 is a perspective view of the top, front and right side of a hybrid integrated circuit for electric power control showing our new design;

[56] References Cited

U.S. PATENT DOCUMENTS

3,825,876	7/1974	Damon et al.	174/52.4 X
4,780,795	10/1988	Meinel	361/774 X

FIG. 2 is a front elevational view thereof;

FIG. 3 is a top plan view thereof;

FIG. 4 is a left side elevational view thereof;

FIG. 5 is a right side elevational view thereof;

FIG. 6 is a rear elevational view thereof; and,

FIG. 7 is a bottom plan view thereof.

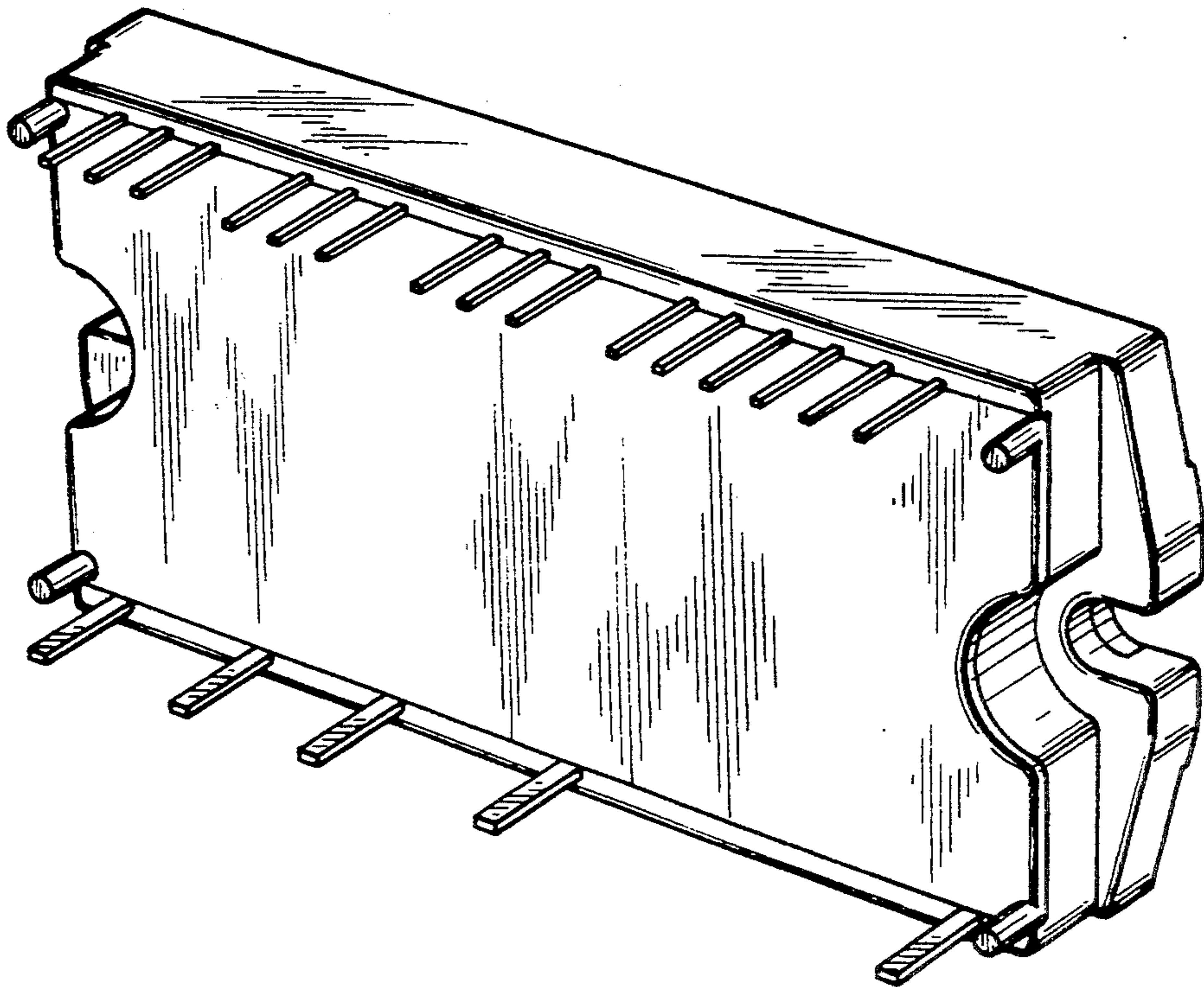


FIG. 1

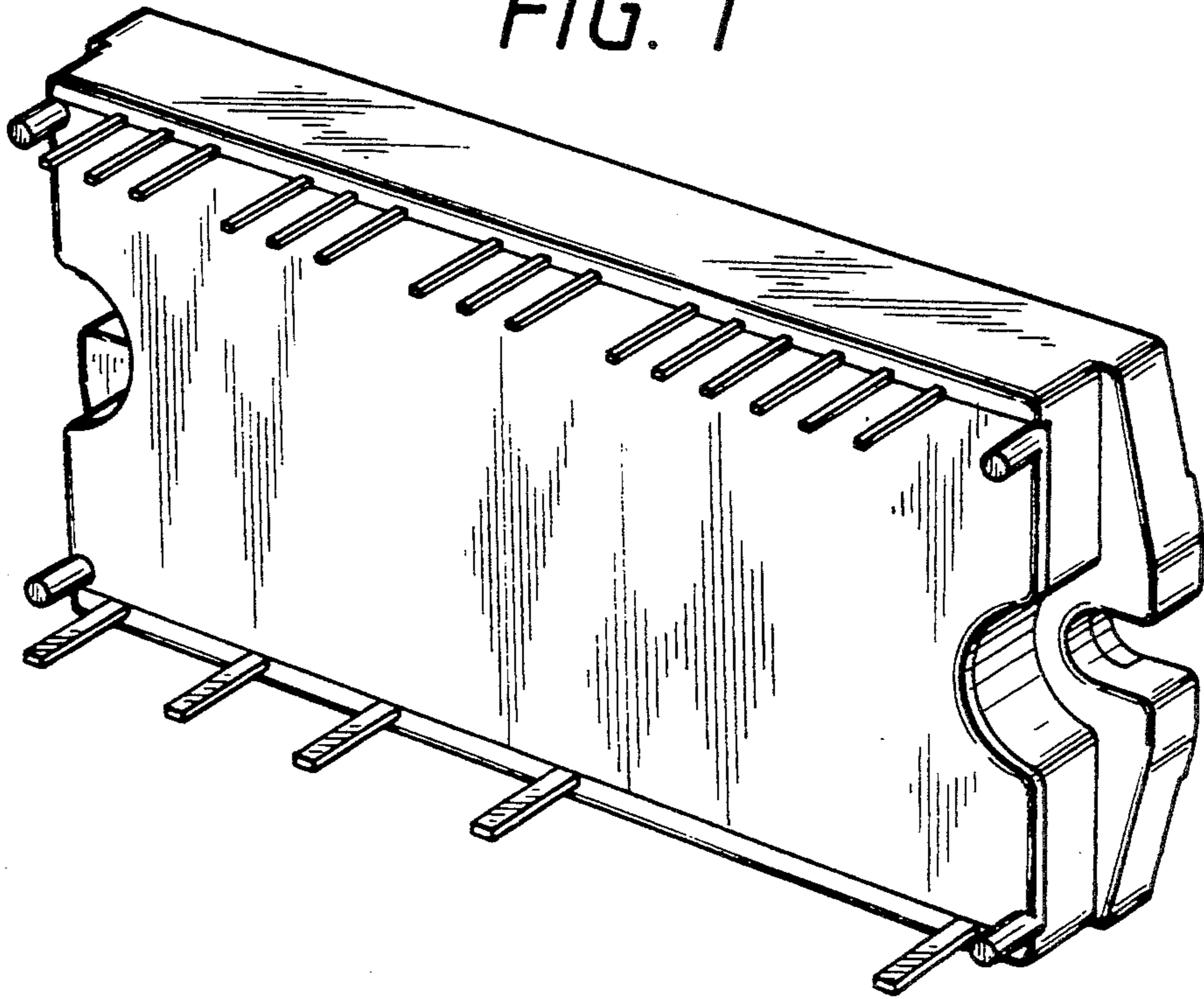


FIG. 2

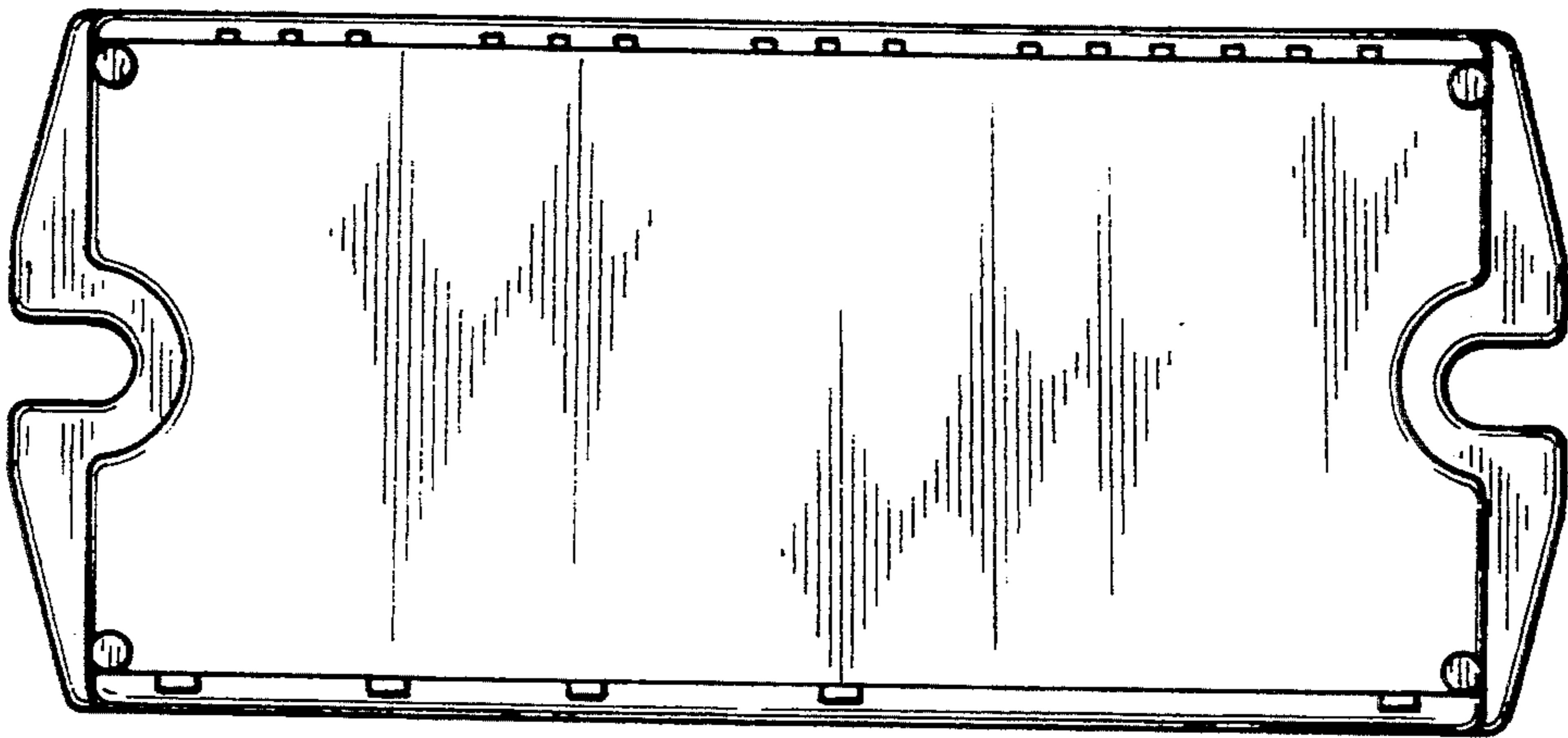


FIG. 3

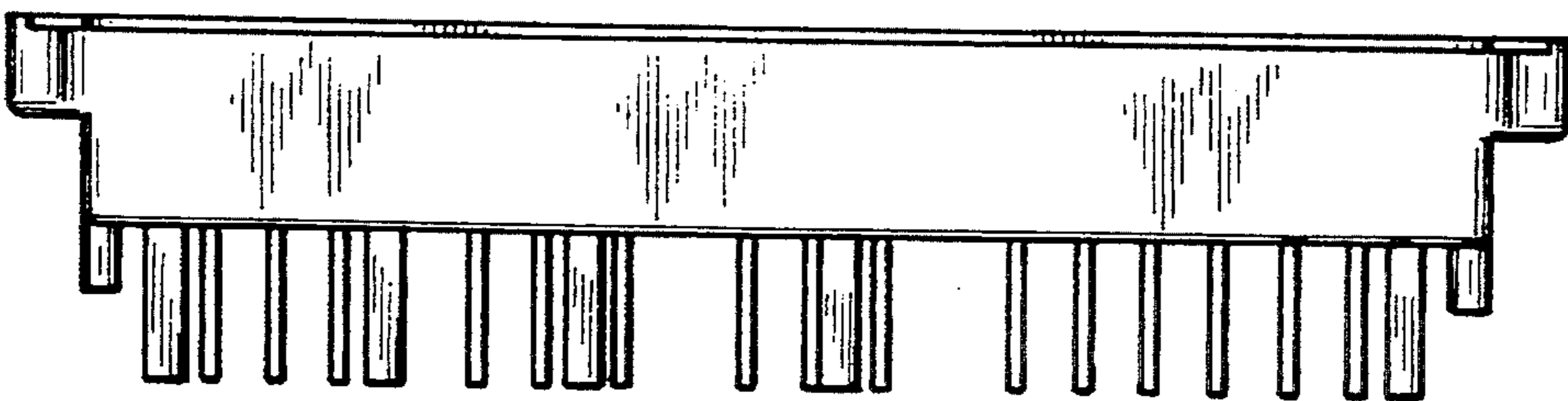


FIG. 4

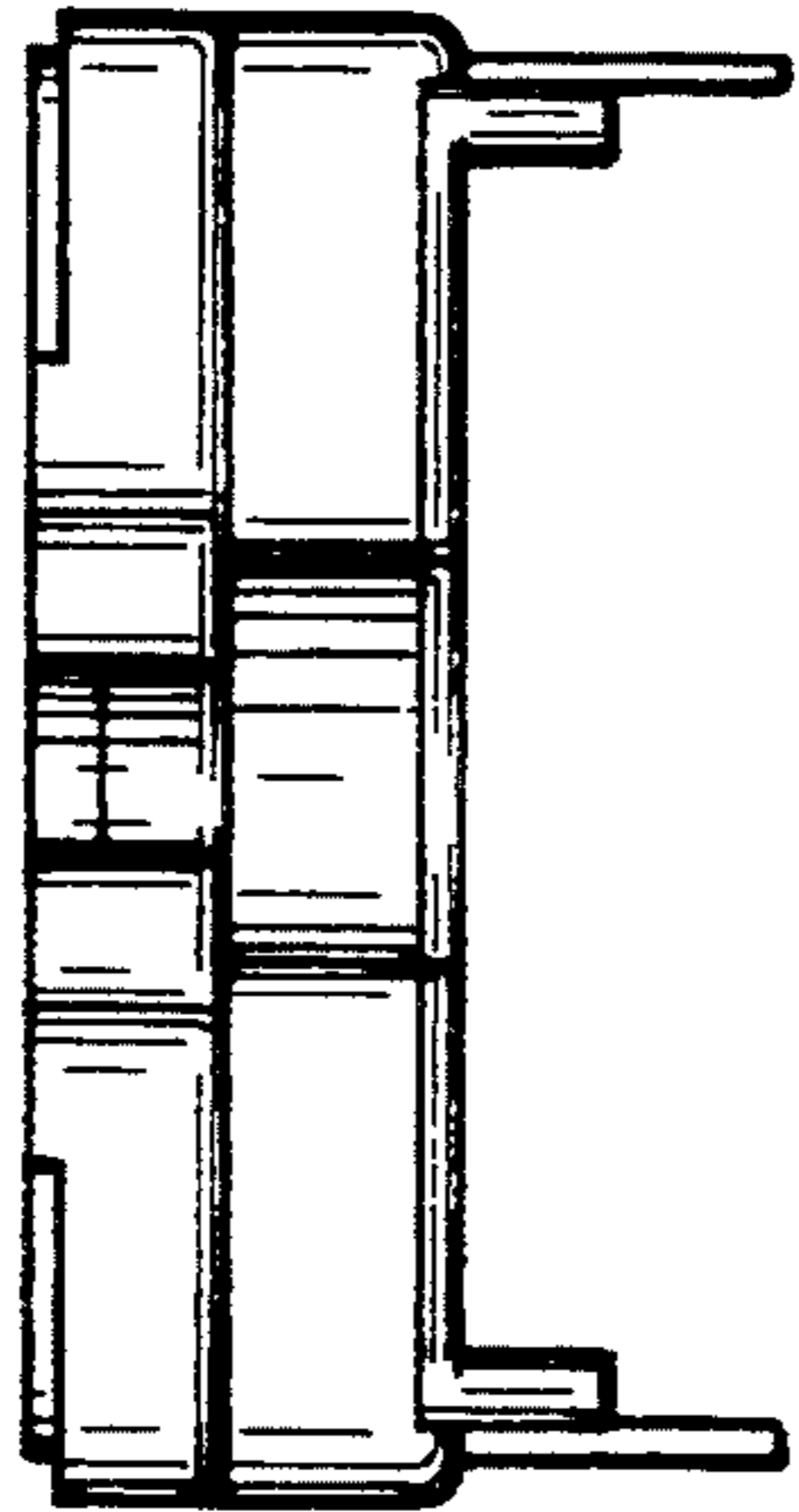


FIG. 5



FIG. 6

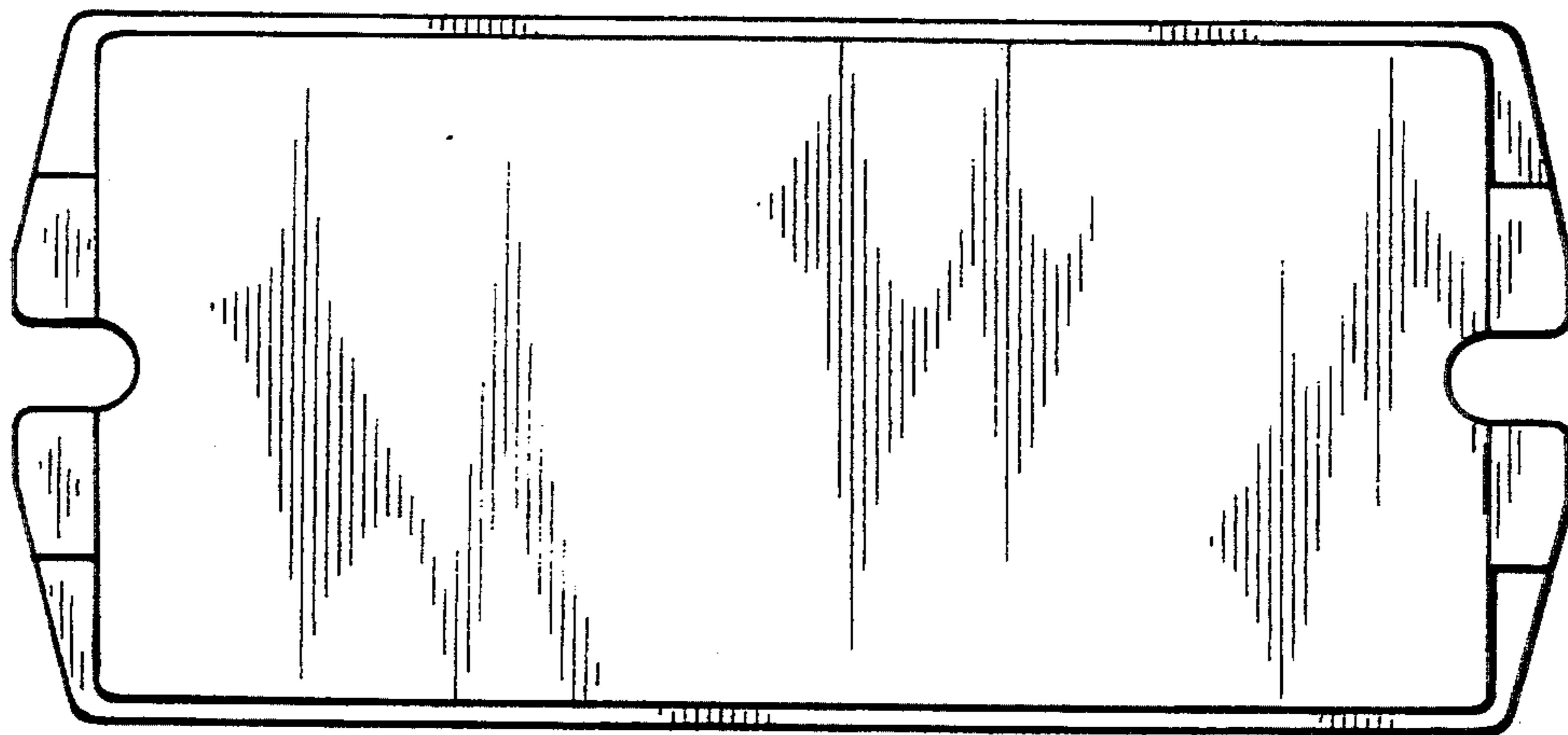


FIG. 7

