



US00D357454S

# United States Patent [19]

[11] Patent Number: **Des. 357,454**

Grinberg et al.

[45] Date of Patent: **\*\* Apr. 18, 1995**

[54] **SUPPORT FOR AN INSTRUMENT CONSOLE**

D. 294,140 2/1988 Koch ..... D12/192

[75] Inventors: **Eugene Y. Grinberg**, Shippensburg;  
**Charles E. Gullan**, Chambersburg,  
both of Pa.

*Primary Examiner*—James M. Gandy  
*Assistant Examiner*—M. Brown  
*Attorney, Agent, or Firm*—John J. Selko

[73] Assignee: **Ingersoll-Rand Company**, Woodcliff  
Lake, N.J.

[57] **CLAIM**

The ornamental design for a support for an instrument console, as shown and described.

[\*\*] Term: **14 Years**

**DESCRIPTION**

[21] Appl. No.: **5,962**

FIG. 1 is a top view of a support for an instrument console showing our new design;  
FIG. 2 is a back view thereof;  
FIG. 3 is a bottom view thereof;  
FIG. 4 is a front view thereof;  
FIG. 5 is a left side view thereof;  
FIG. 6 is a right side view thereof; and,  
FIG. 7 is a perspective view showing the design from top, front and one side.

[22] Filed: **Mar. 18, 1993**

[52] U.S. Cl. .... **D12/192**

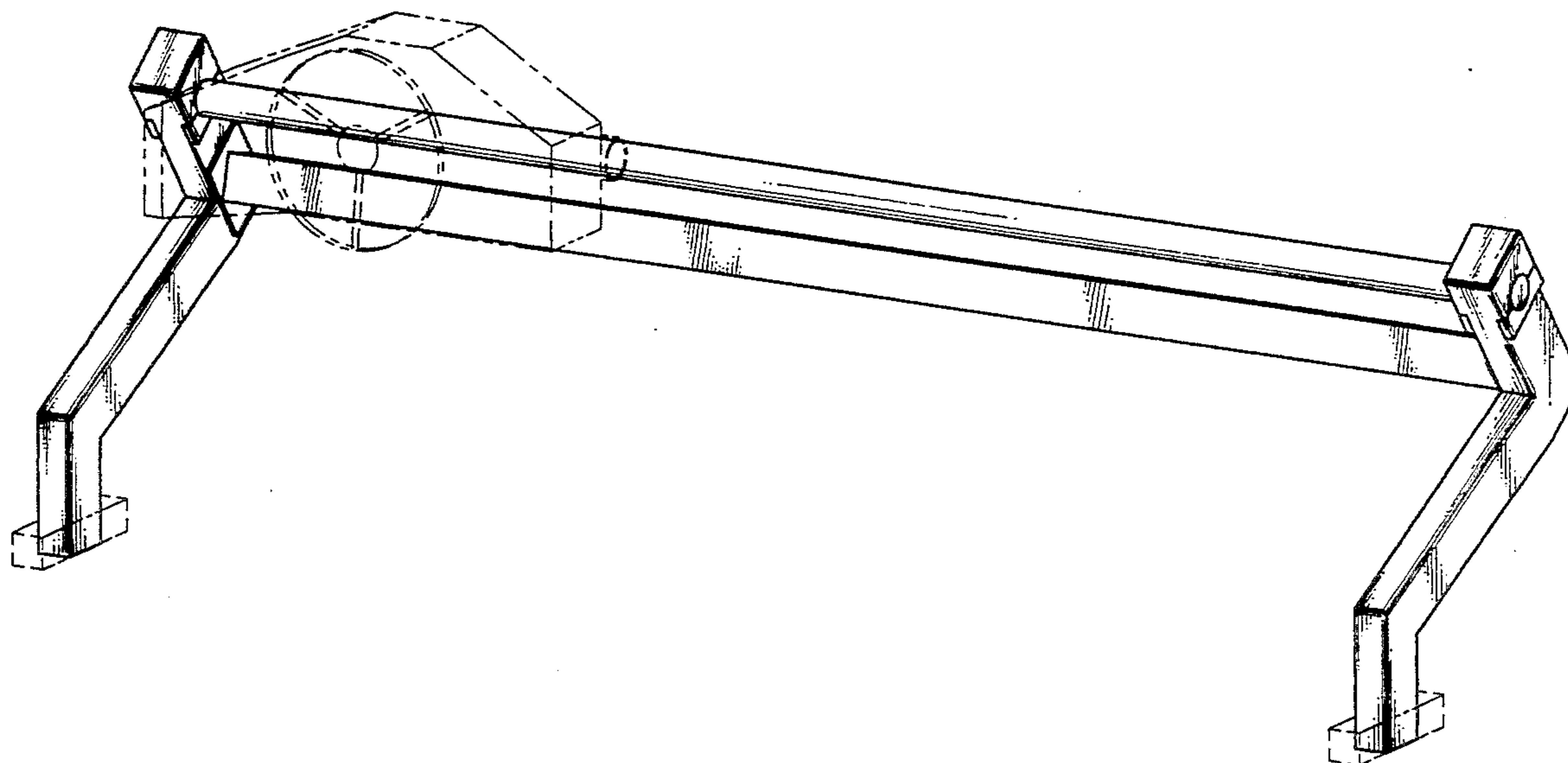
[58] Field of Search ..... **D12/192; 180/90;**  
**296/70; 280/752**

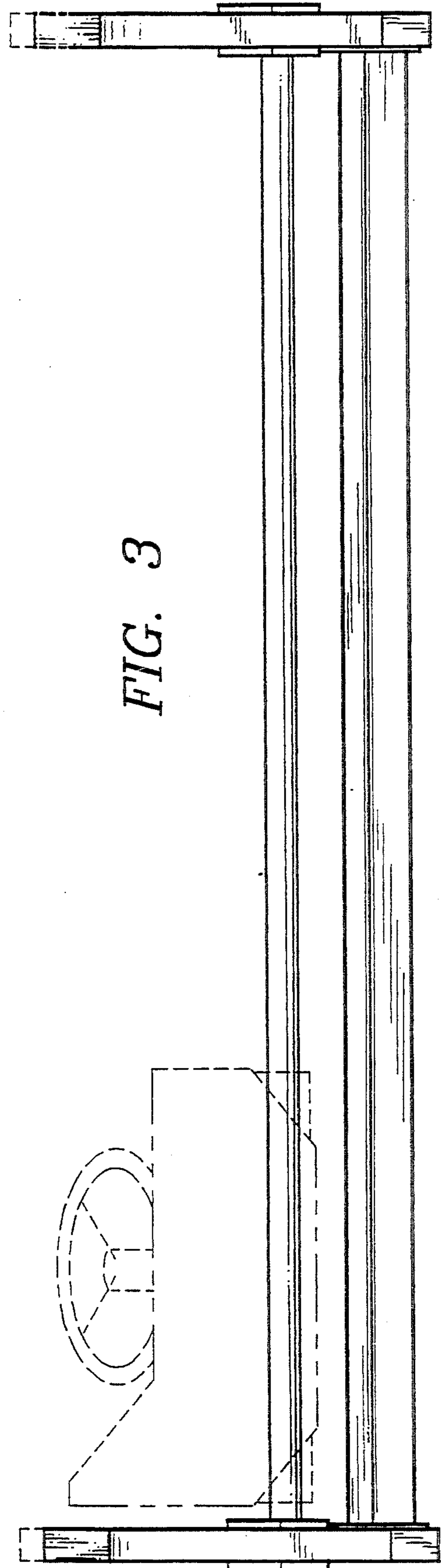
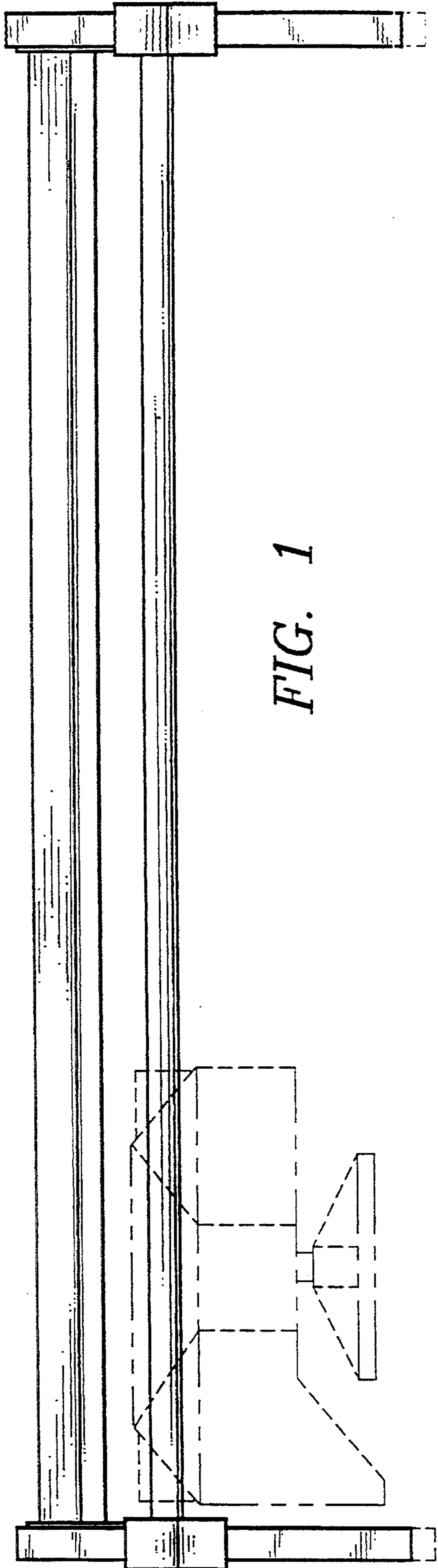
The elements shown in broken lines in FIGS. 1-7 are for illustrative purposes only and form no part of the claimed design.

[56] **References Cited**

**U.S. PATENT DOCUMENTS**

D. 230,579 3/1974 Boano ..... D12/192  
D. 241,133 8/1976 Gonzalez ..... D12/192





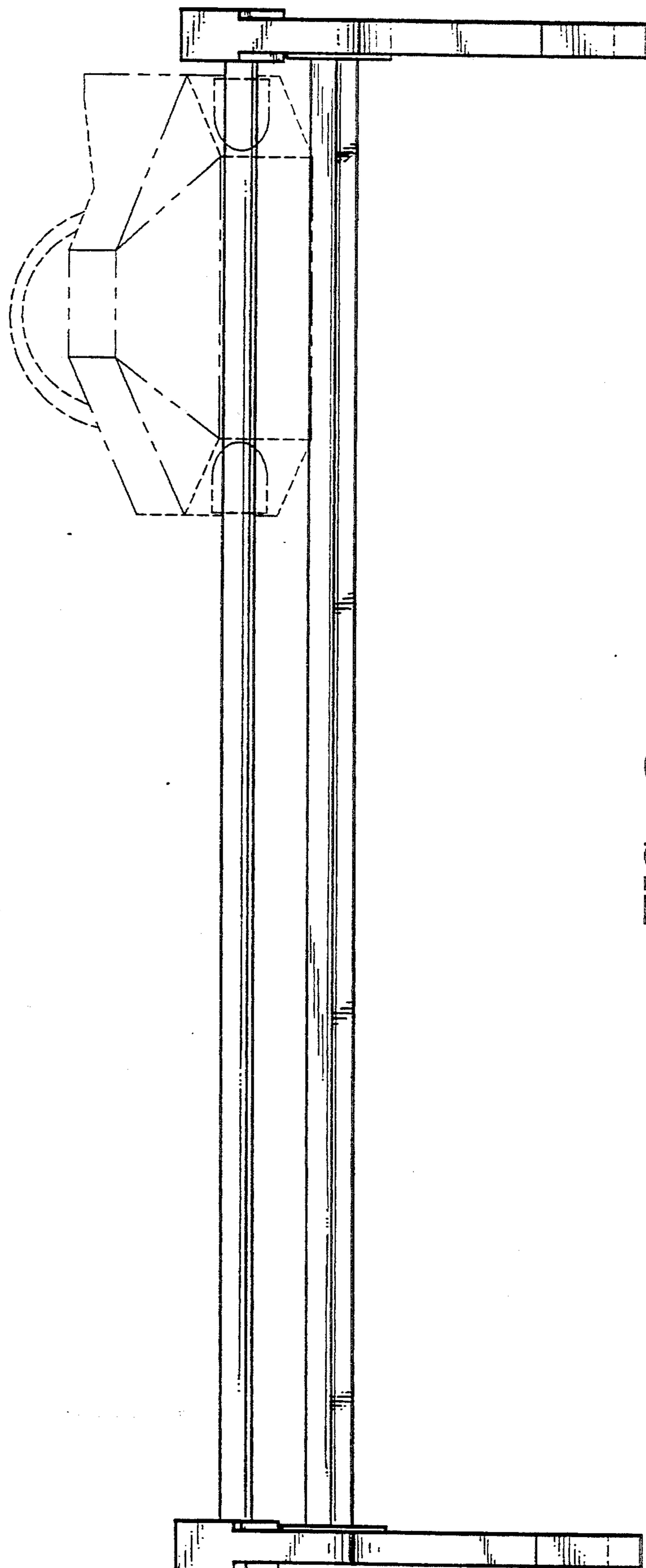


FIG. 2

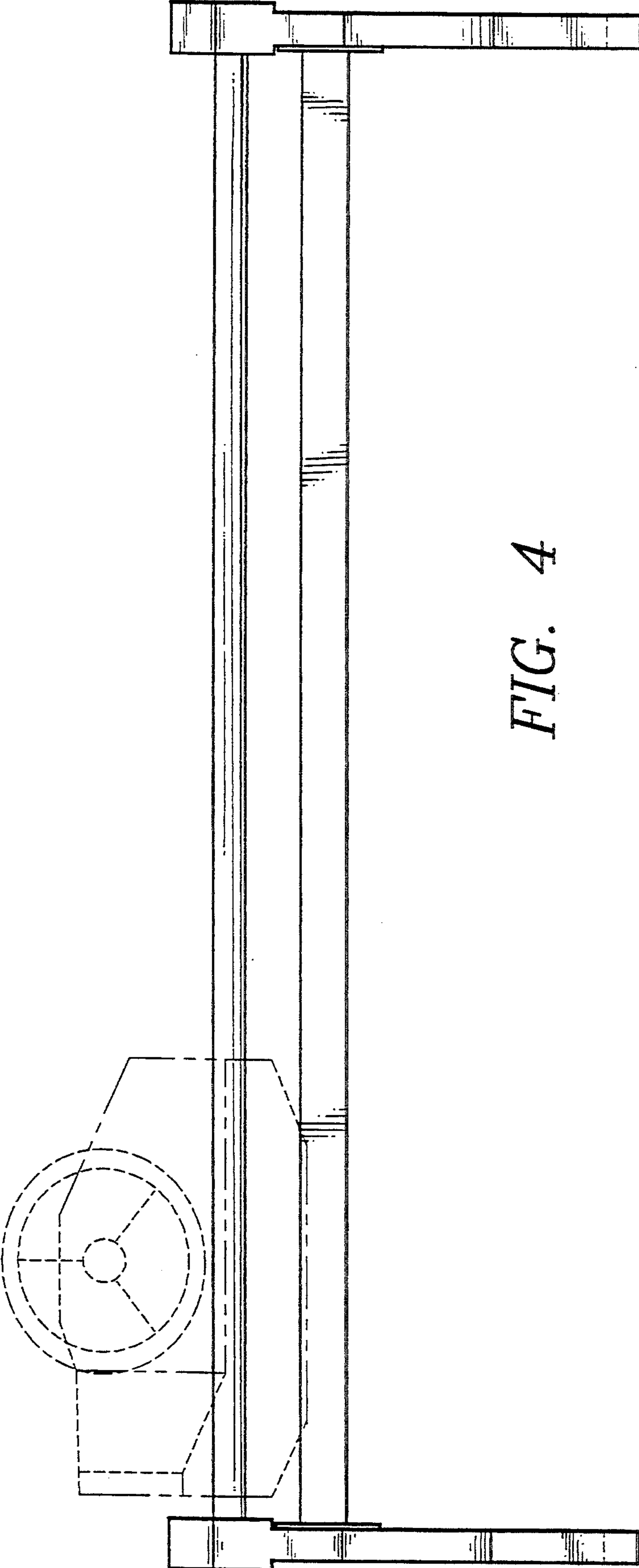


FIG. 4

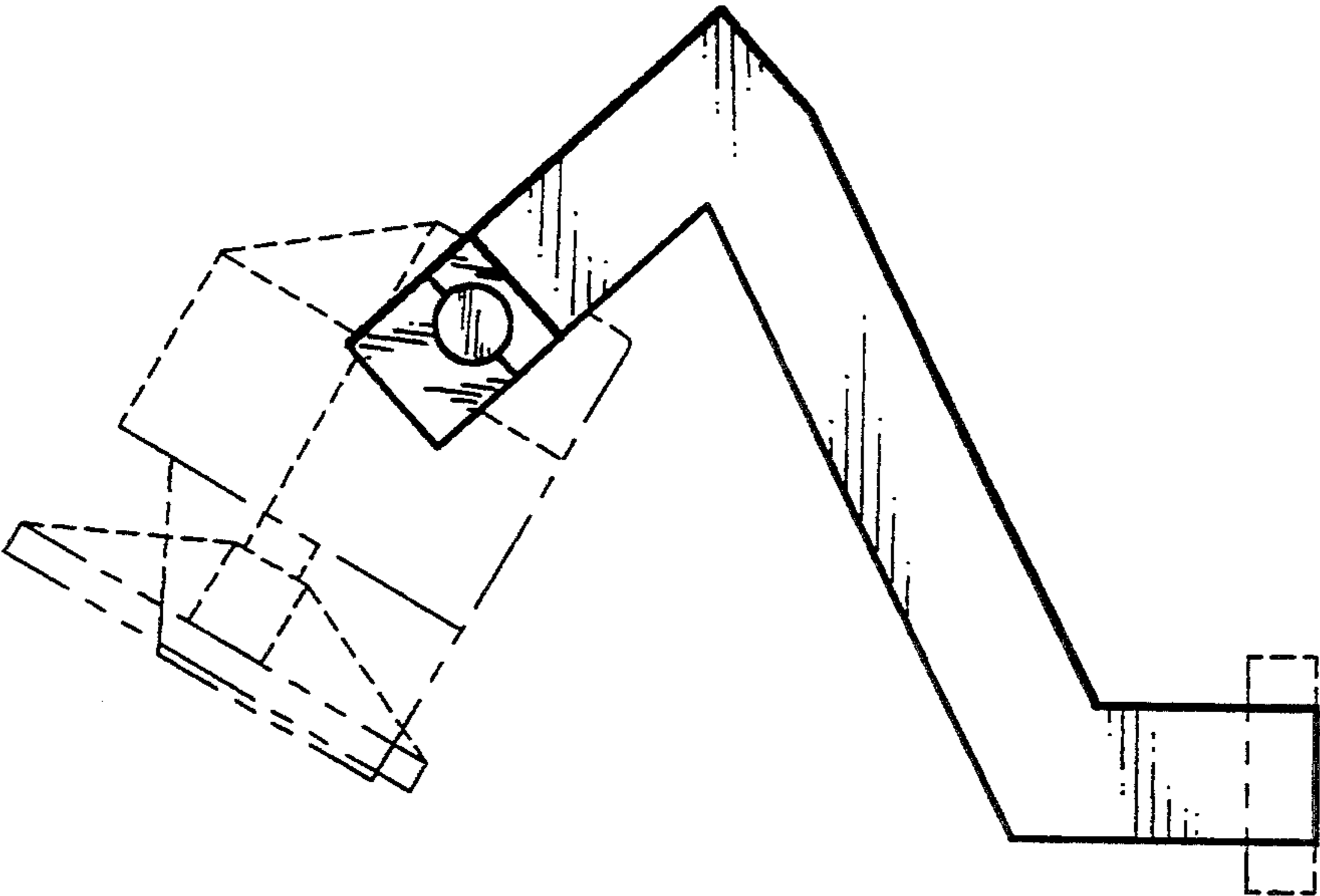


FIG. 6

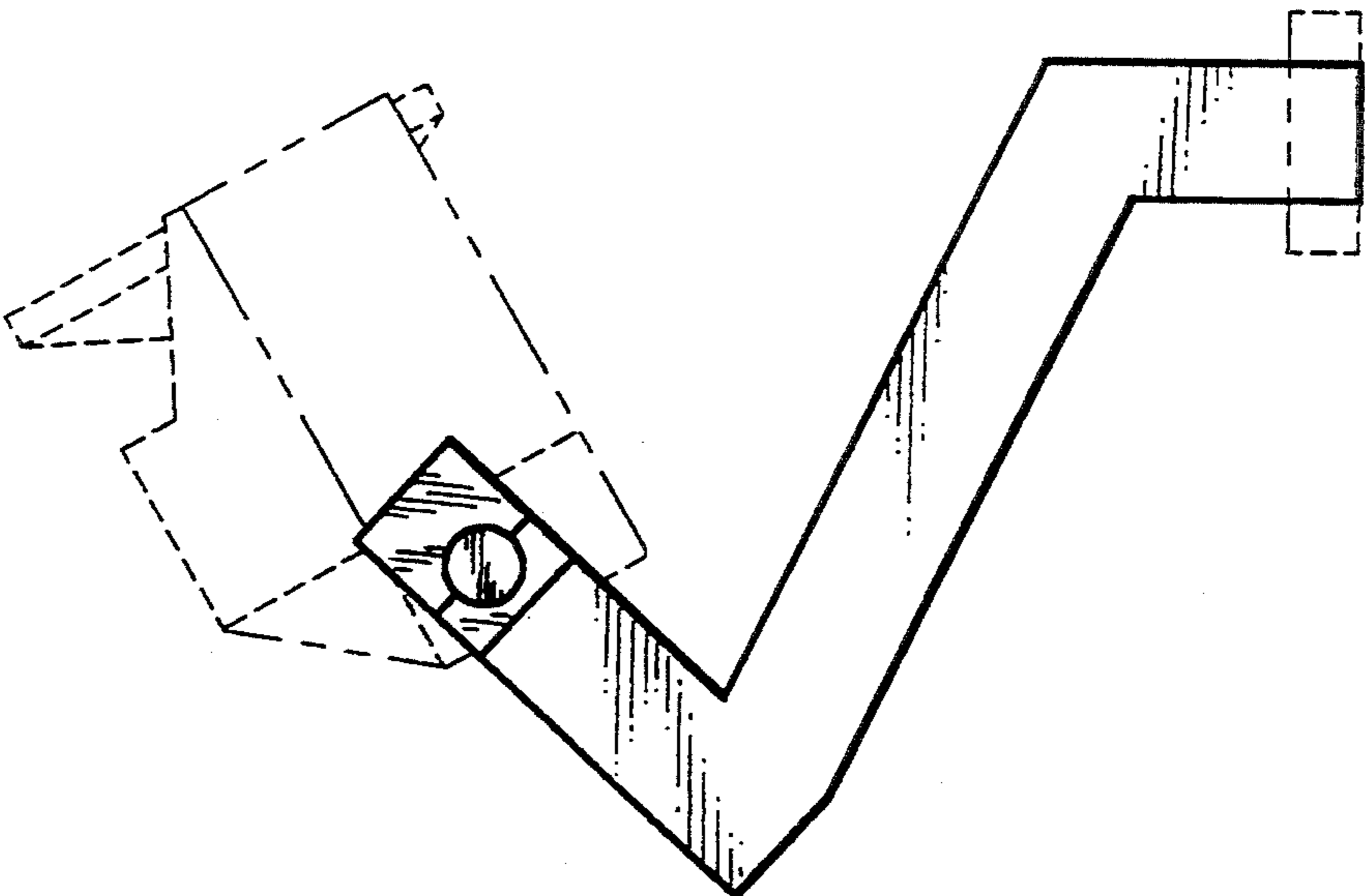


FIG. 5



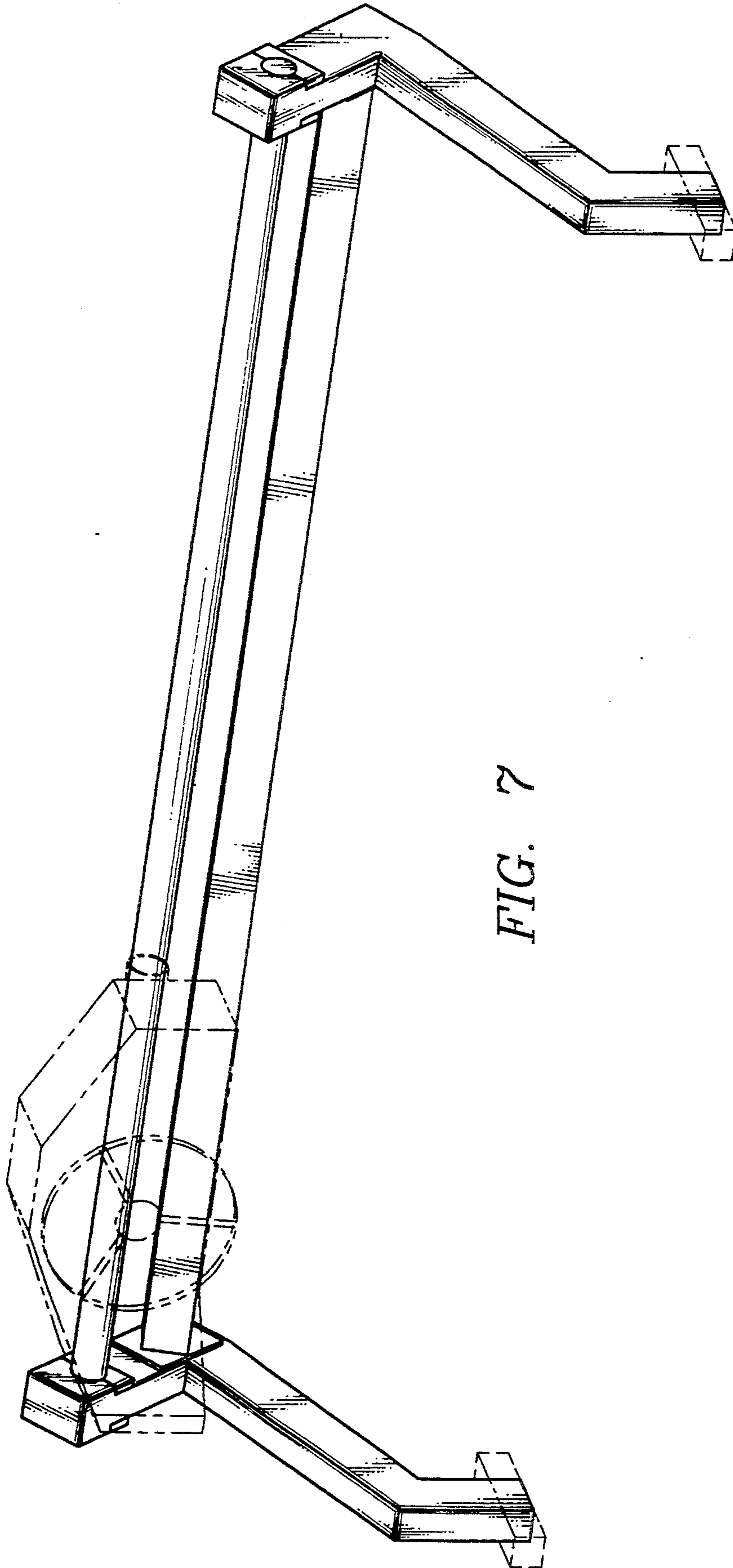


FIG. 7