



US00D357442S

# United States Patent [19]

[11] Patent Number: **Des. 357,442**

**Okamoto**

[45] Date of Patent: **\*\* Apr. 18, 1995**

[54] **WHEELCHAIR SIDE FRAME**

5,020,816 6/1991 Mulholland ..... 297/DIG. 4  
5,050,899 9/1991 Stensby ..... 297/DIG. 4  
5,064,211 11/1991 Huttenhuis et al. .... 280/250.1

[75] Inventor: **James Okamoto, Clovis, Calif.**

[73] Assignee: **Quickie Designs Inc., Fresno, Calif.**

*Primary Examiner*—Kay H. Chin  
*Attorney, Agent, or Firm*—Flehr, Hohbach, Test,  
Albritton & Herbert

[\*\*] Term: **14 Years**

[21] Appl. No.: **21,427**

### [57] CLAIM

[22] Filed: **Apr. 18, 1994**

The ornamental design for a wheelchair side frame, as shown and described.

### Related U.S. Application Data

### DESCRIPTION

[63] Continuation-in-part of Ser. No. 892,276, Jun. 2, 1992, Pat. No. 5,351,774.

[52] U.S. Cl. .... **D12/133; D12/131**

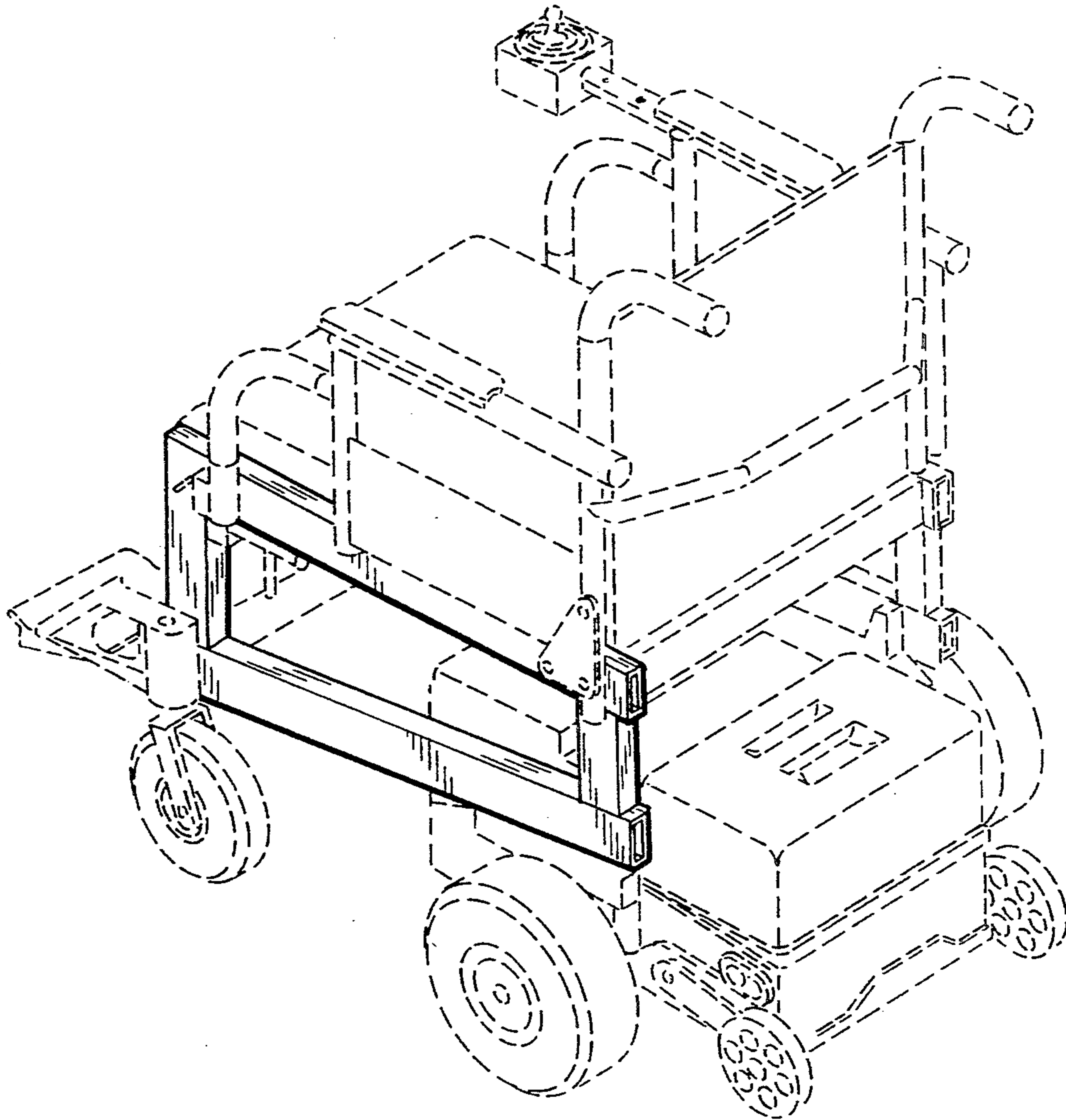
[58] Field of Search ..... **D12/128, 131, 133; 297/DIG. 4; 280/250.1, 648, 647**

FIG. 1 is a rear top perspective view showing my new design with associated wheelchair components shown in broken lines and forming no part of the design; FIG. 2 is a rear perspective view of my new design; FIG. 3 is an enlarged, side elevation view of a side opposite the side shown in FIG. 2; FIG. 4 is a top plan view thereof; FIG. 5 is a bottom plan view thereof; FIG. 6 is a front elevation view thereof; and, FIG. 7 is a rear elevation view thereof.

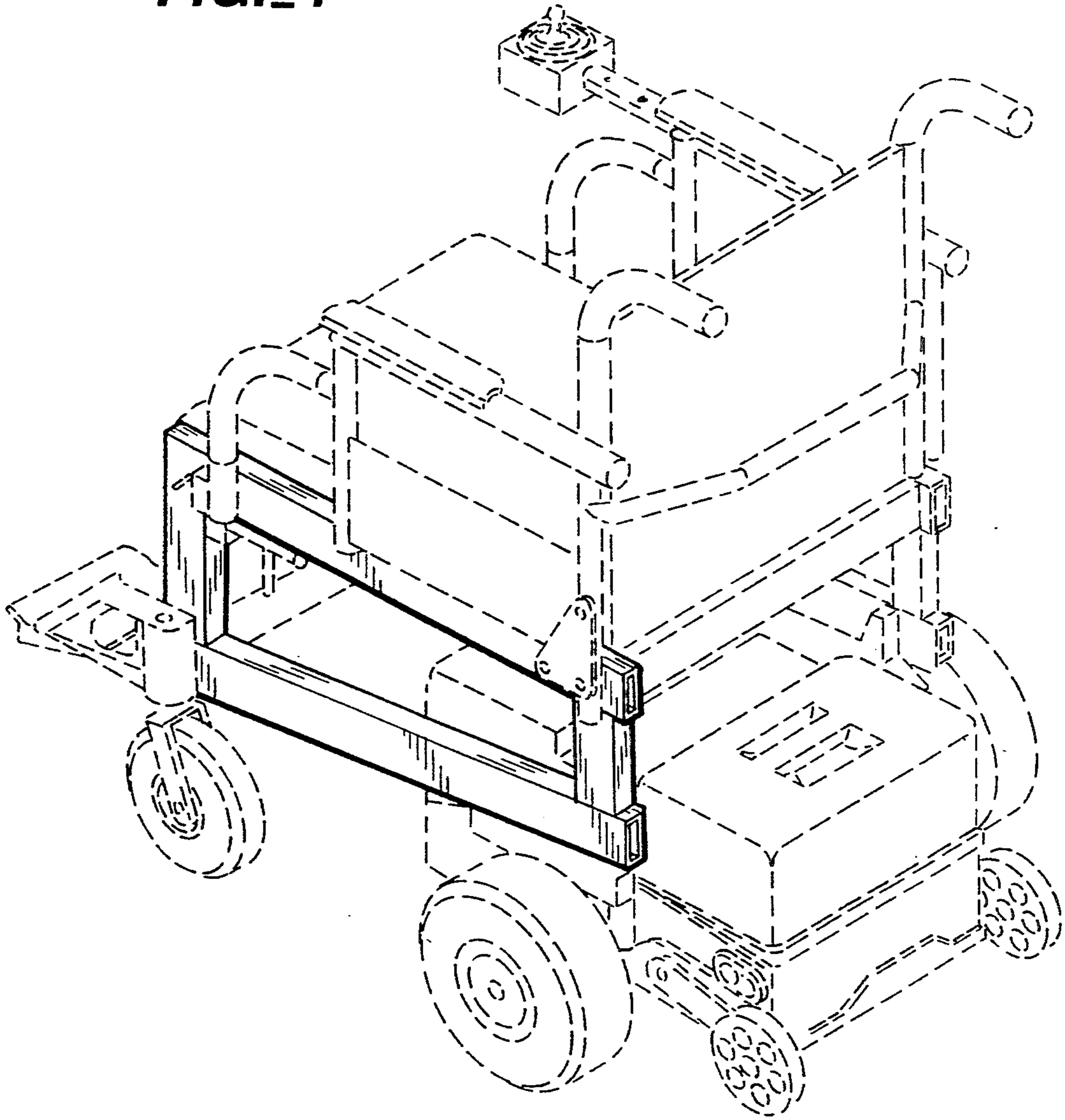
### [56] References Cited

#### U.S. PATENT DOCUMENTS

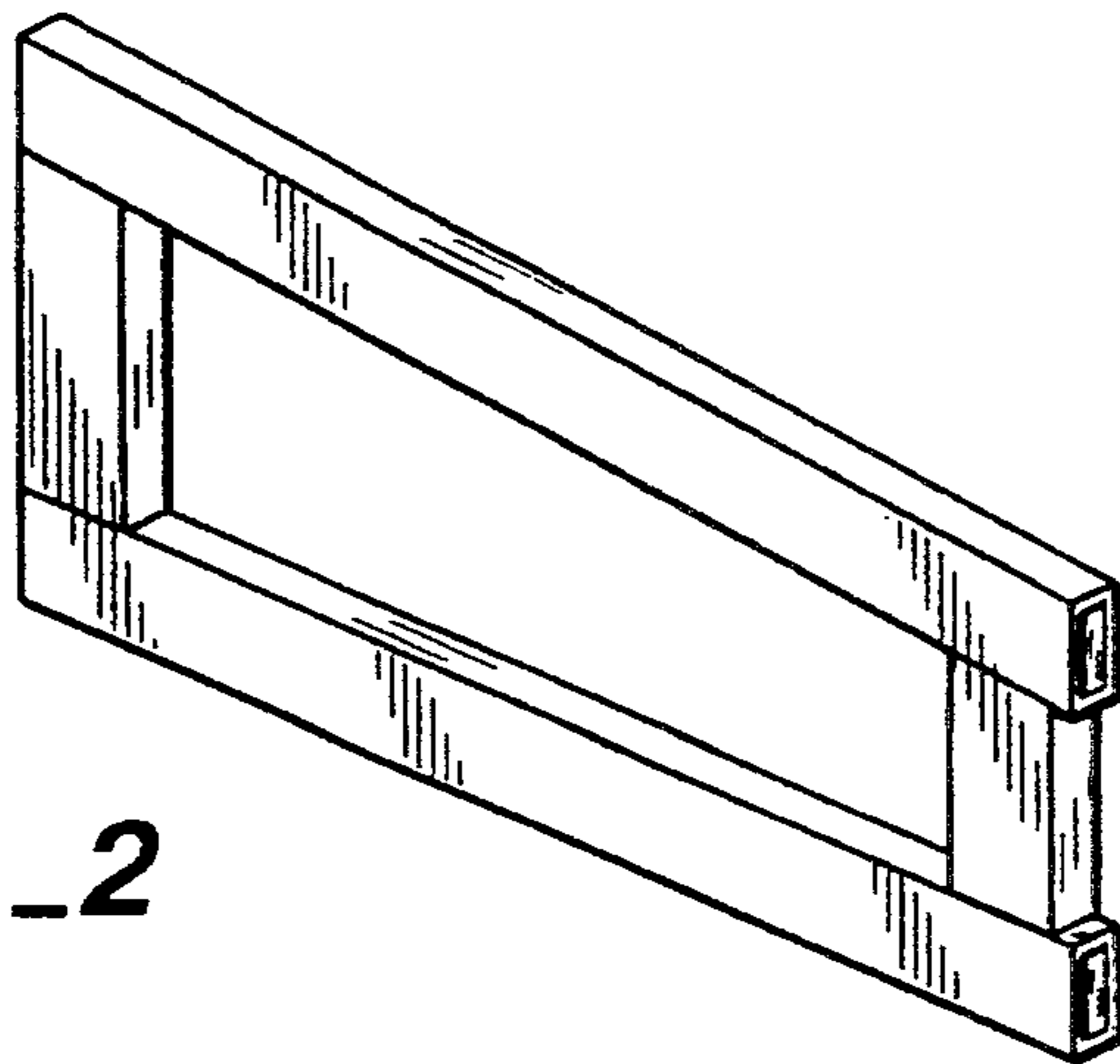
4,475,613 10/1984 Walker .  
4,967,864 11/1990 Boyer et al. .

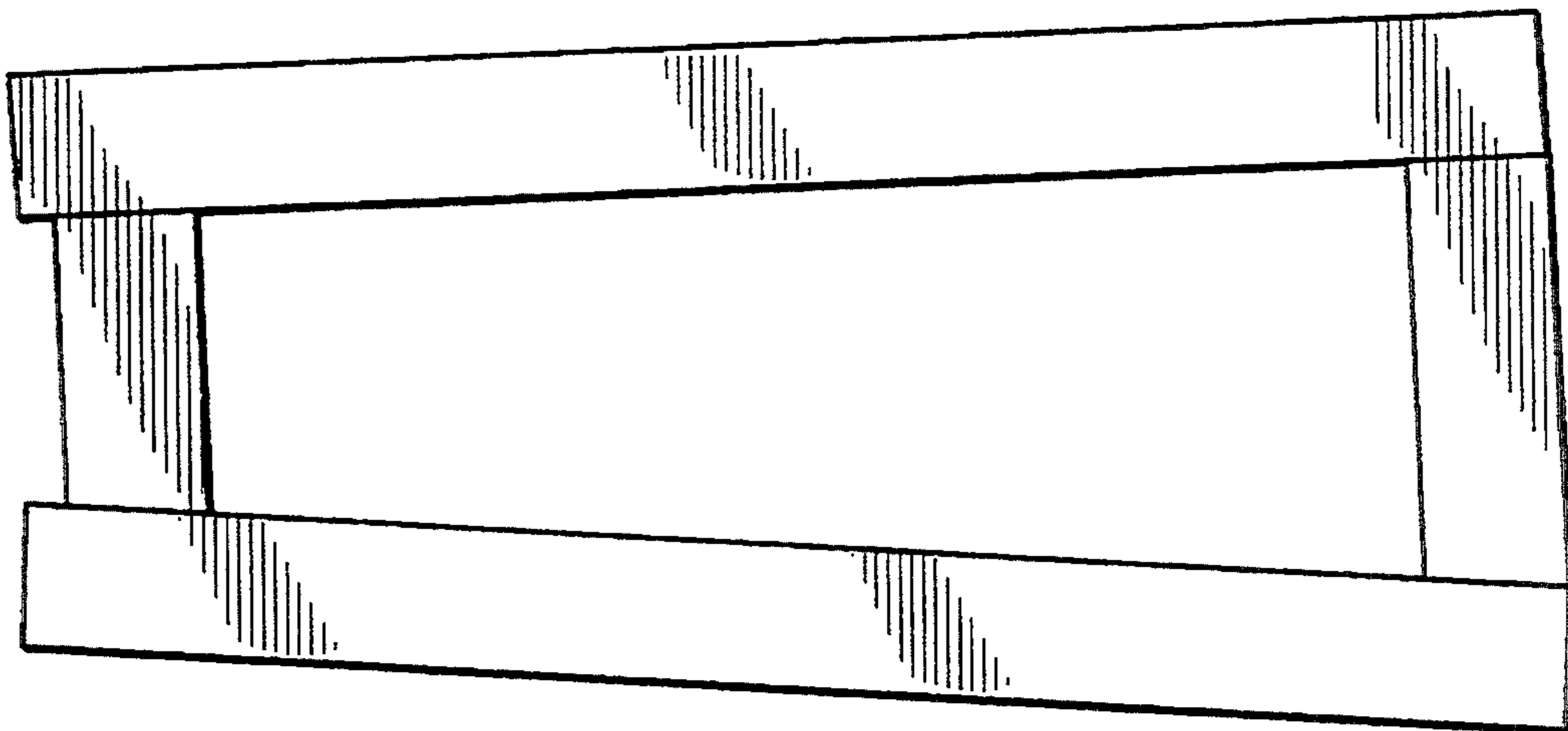


**FIG. 1**



**FIG. 2**





**FIG.\_3**



**FIG.\_4**



**FIG.\_5**



**FIG.\_6**



**FIG.\_7**