



US00D357427S

# United States Patent [19]

[11] Patent Number: **Des. 357,427**

Lee

[45] Date of Patent: **\*\* Apr. 18, 1995**

[54] **TRANSMITTER FOR SIGNALLING  
EMERGENCY RESPONSE CENTERS**

D. 338,843 8/1993 Zoose et al. .... D10/106  
D. 344,466 2/1994 Caldwell et al. .... D10/106

[76] Inventor: **Young K. Lee, 725-13,  
Yeoksam-dong, Kangnam-ku, Seoul,  
Rep. of Korea**

*Primary Examiner*—James M. Gandy  
*Assistant Examiner*—Marcus Jackson  
*Attorney, Agent, or Firm*—Whitham, Curtis, Whitham &  
McGinn

[\*\*] Term: **14 Years**

[57] **CLAIM**

[21] Appl. No.: **21,775**

The ornamental design for transmitter for signalling emergency response centers, as shown and described.

[22] Filed: **Apr. 25, 1994**

[52] U.S. Cl. .... **D10/104**

**DESCRIPTION**

[58] Field of Search ..... D10/104, 106, 121;  
340/276, 277, 283, 542, 545, 546, 551, 577, 593,  
627, 693

FIG. 1 is a perspective view of a transmitter for signalling emergency response centers showing my new design;

FIG. 2 is a front elevational view thereof;

FIG. 3 is a rear elevational view thereof;

FIG. 4 is a right side elevational view thereof, with the opposite side being a mirror image;

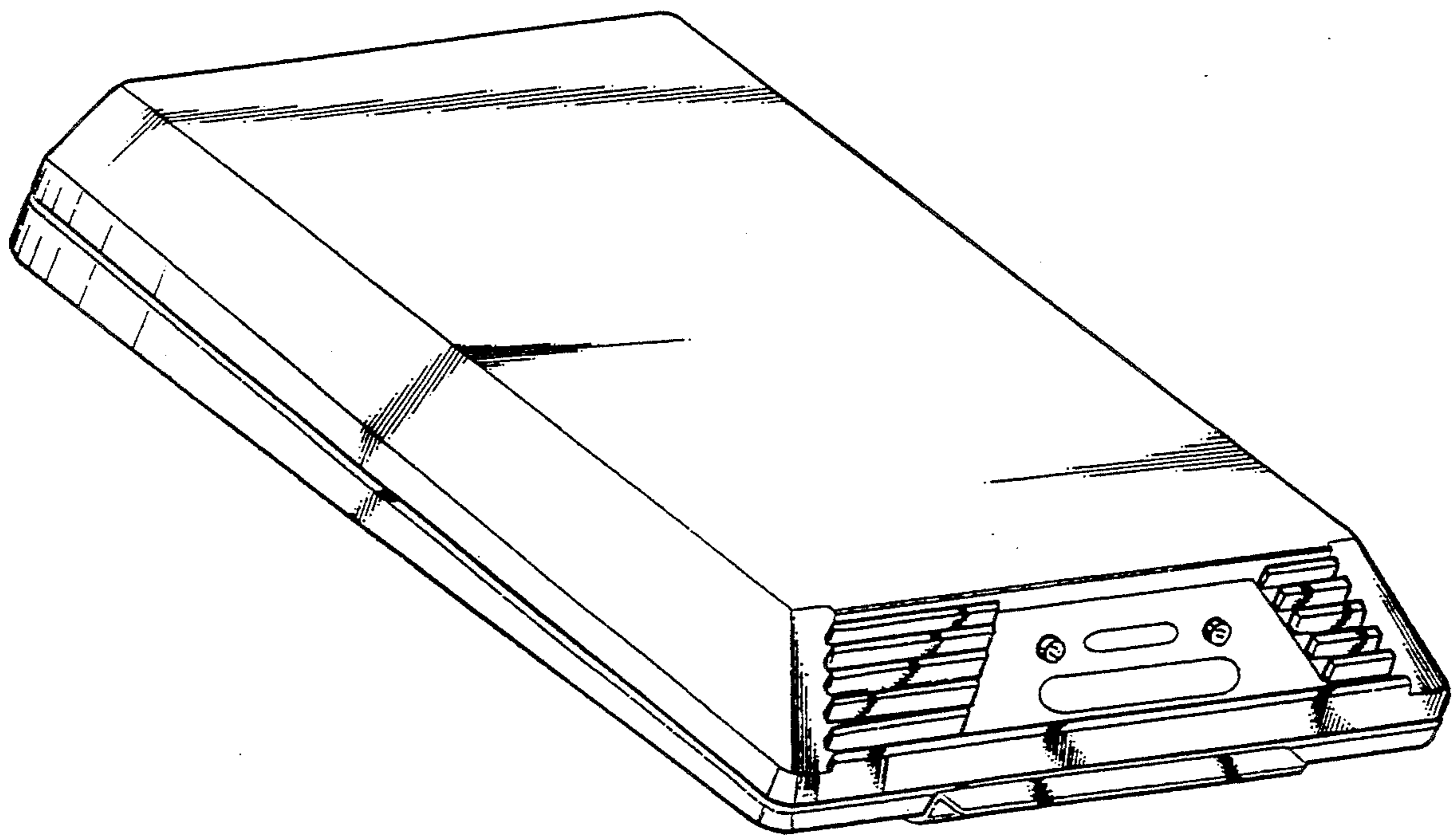
FIG. 5 is a top plan view thereof; and,

FIG. 6 is a bottom plan view thereof.

[56] **References Cited**

**U.S. PATENT DOCUMENTS**

D. 318,816 8/1991 Roberts et al. .... D10/106  
D. 319,599 9/1991 Jackman et al. .... D10/106  
D. 336,053 6/1993 Hayes et al. .... D10/106



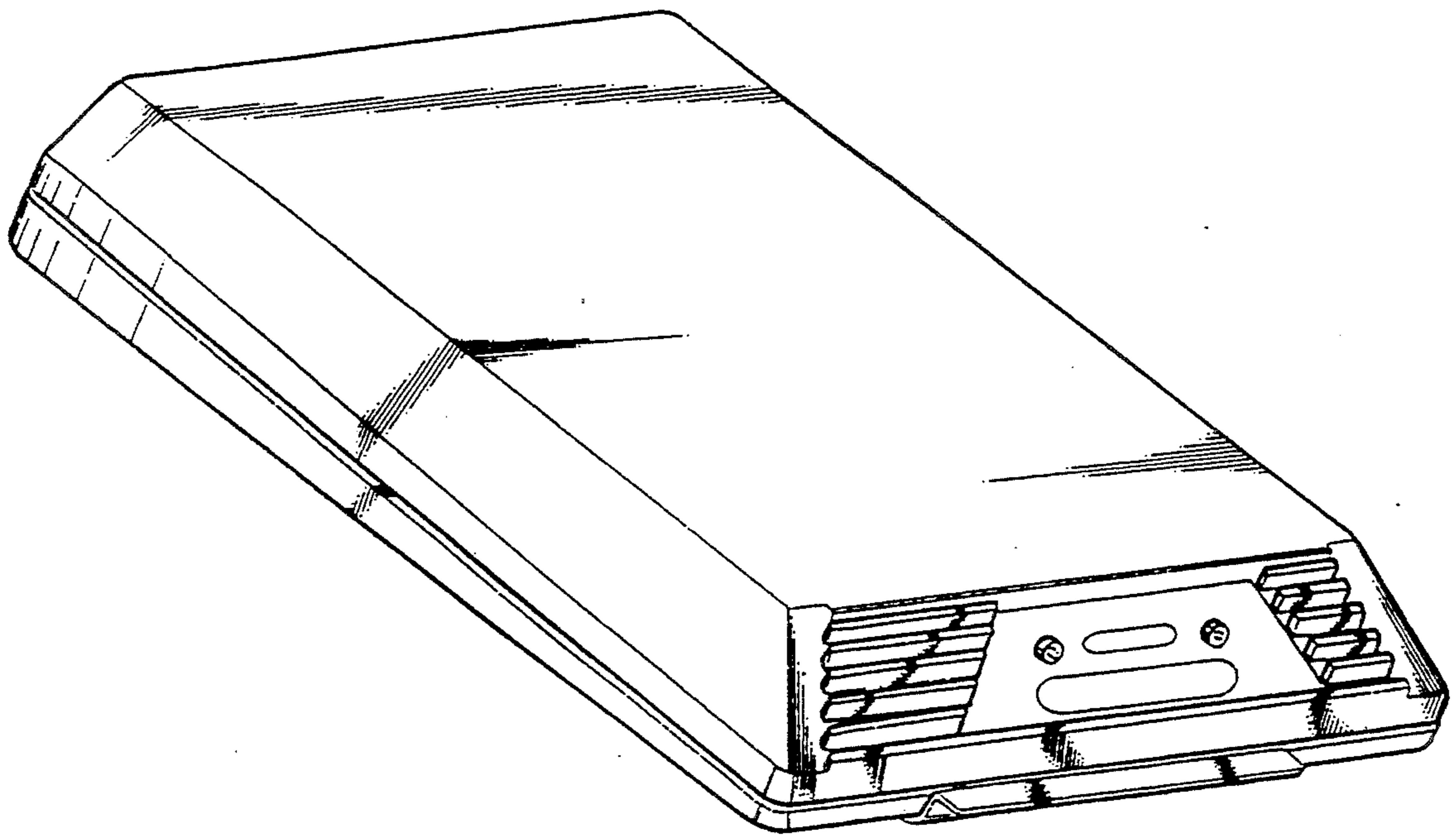


FIG.1

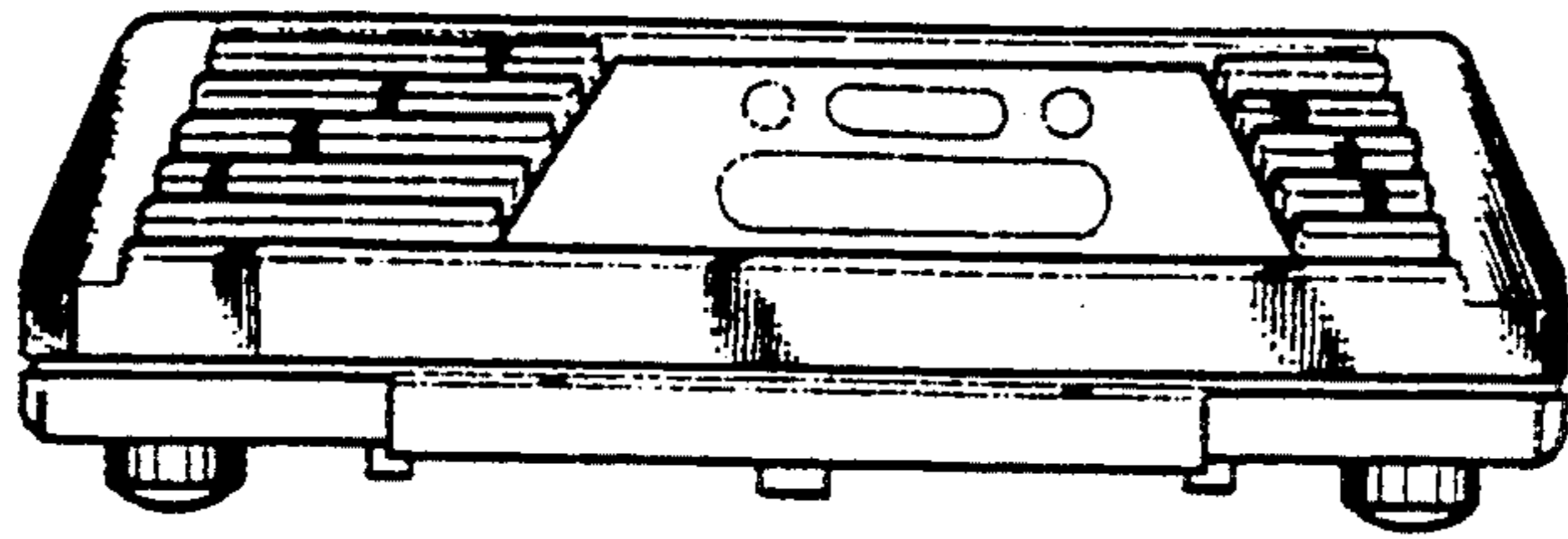


FIG. 2

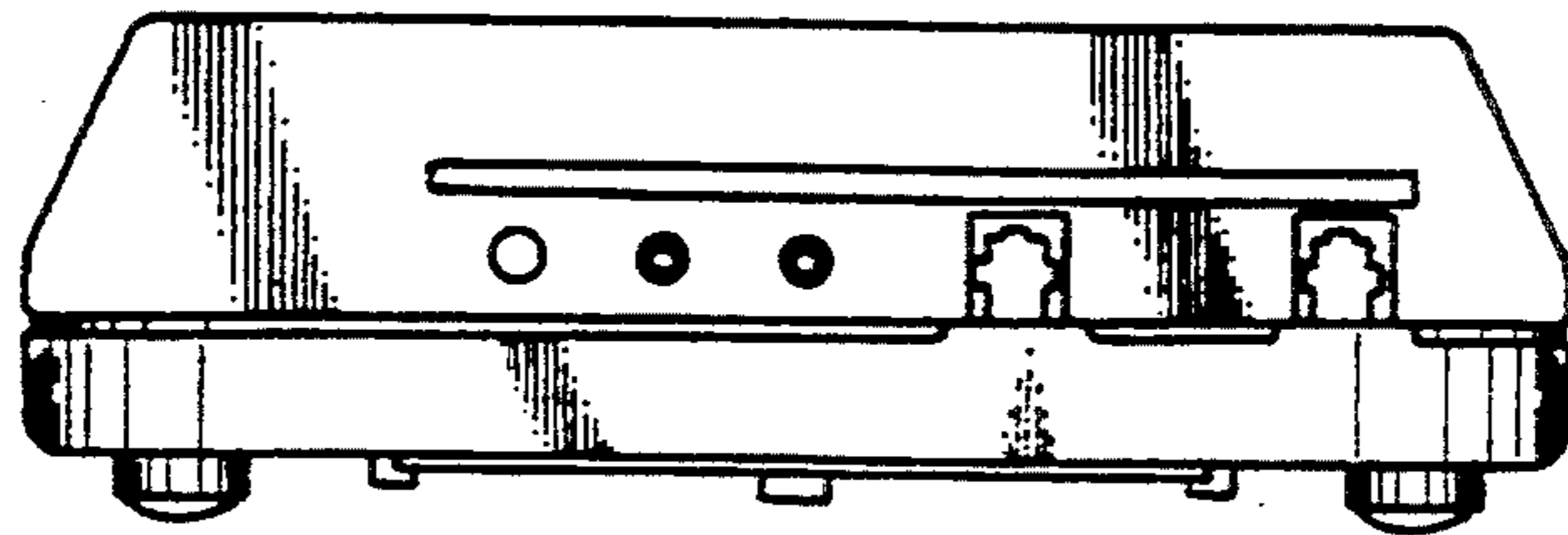


FIG. 3

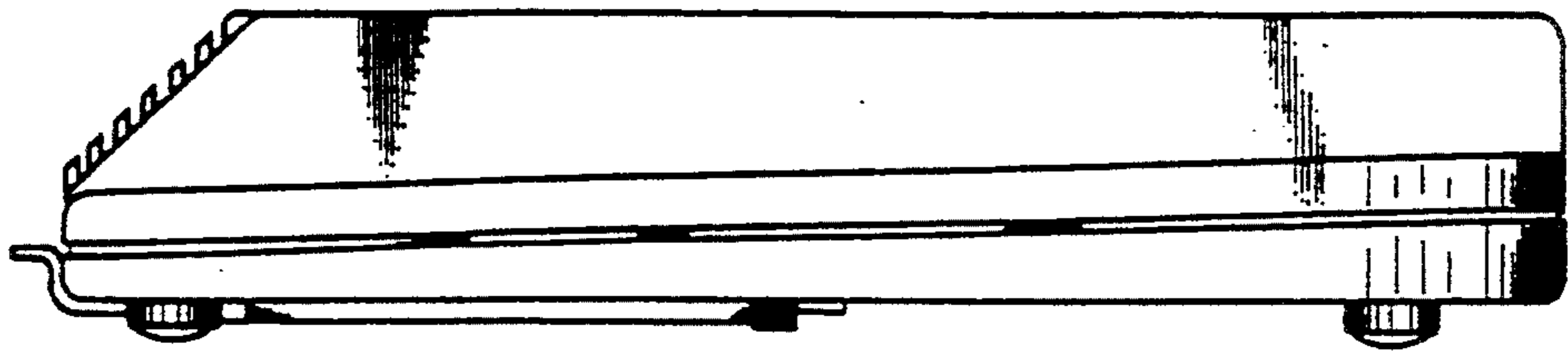


FIG.4

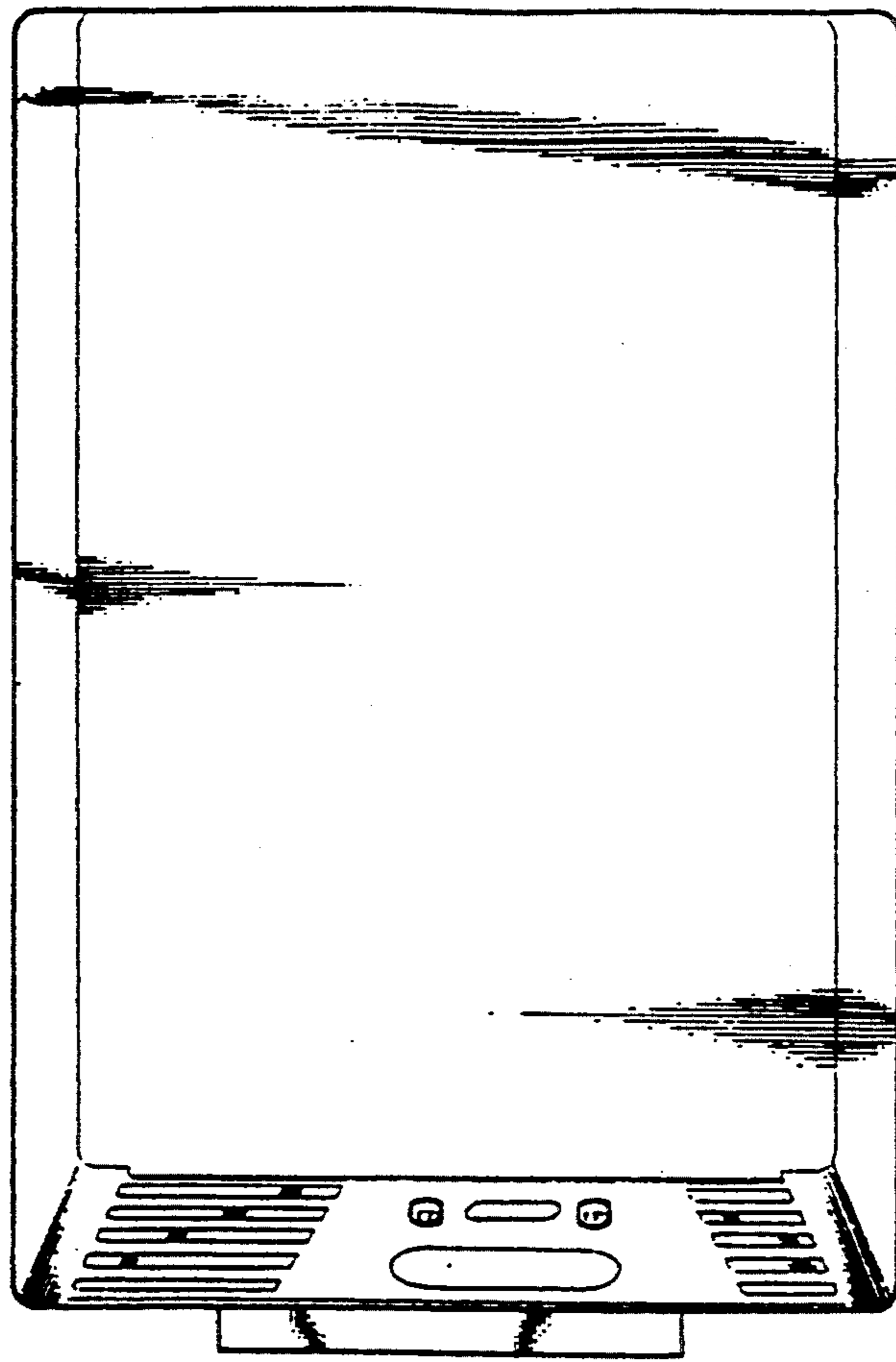


FIG.5

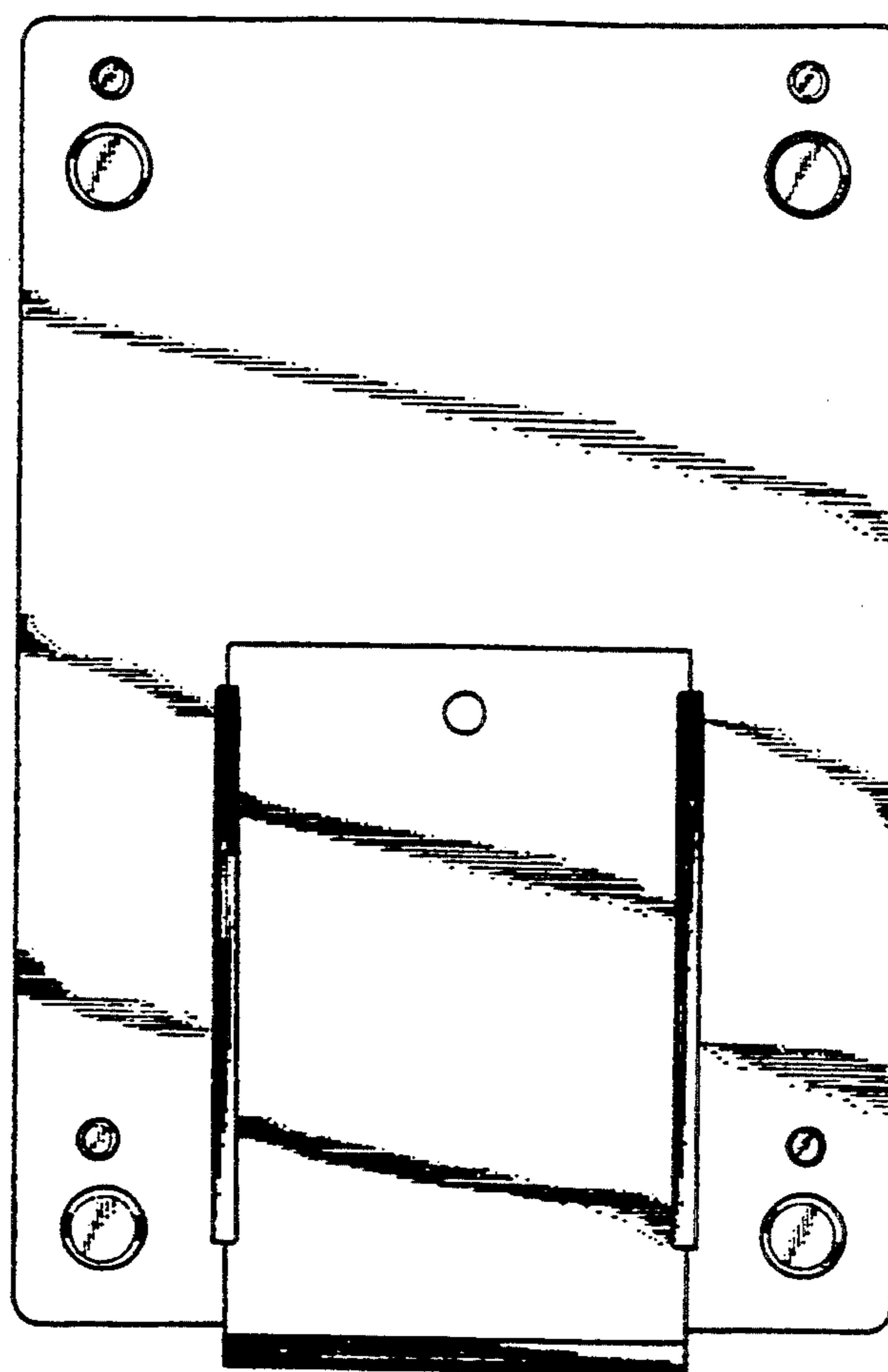


FIG.6