



US00D357424S

United States Patent [19]

[11] Patent Number: **Des. 357,424**

Rabel

[45] Date of Patent: **** Apr. 18, 1995**

[54] WALL-MOUNTED UNIT COMPRISING A THERMOSTAT AND A SWITCH ACTUATOR

[75] Inventor: **Peter Rabel**, Lauf-Schönberg, Germany

[73] Assignee: **Eberle GmbH**, Nurnberg, Germany

[**] Term: **14 Years**

[21] Appl. No.: **25,783**

[22] Filed: **Jul. 11, 1994**

Related U.S. Application Data

[63] Continuation-in-part of Ser. No. 17,665, Jan. 18, 1994, and Ser. No. 17,603, Jan. 18, 1994.

[52] U.S. Cl. **D10/50; D10/51**

[58] Field of Search **D10/49, 50, 51; 165/11.1, 11.2, 12, 13, 22; 236/46 R, 46 A, 46 B, 46 C, 46 D, 46 E, 46 F, 47, 91 R, 91 A, 91 B, 91 C, 91 D; 337/112, 113, 186, 327, 360**

[56] References Cited

U.S. PATENT DOCUMENTS

D. 181,678 12/1957 Roth D10/51
D. 287,701 1/1987 Foster D10/49
4,607,790 8/1986 Matsuki et al. 236/94

FOREIGN PATENT DOCUMENTS

7027190 12/1970 Germany .
7147191 5/1972 Germany .

OTHER PUBLICATIONS

Prior sale with literature; thermostat and switch actuator indicated by 1 & 2 placed on sale and sold together in Germany on or before Aug. 1992.

Primary Examiner—Alan P. Douglas

Assistant Examiner—Antoine D. Davis

Attorney, Agent, or Firm—Candor, Candor & Tassone

[57] CLAIM

The ornamental design for a wall-mounted unit comprising a thermostat and a switch actuator, as shown and described.

DESCRIPTION

FIG. 1 is a front elevation view of a wall-mounted unit comprising a thermostat and a switch actuator showing one embodiment of my new design;

FIG. 2 is a left side view of the unit of FIG. 1;

FIG. 3 is a right side view of the unit of FIG. 1;

FIG. 4 is a top view of the unit of FIG. 1;

FIG. 5 is a bottom view of the unit of FIG. 1;

FIG. 6 is a perspective view of the unit of FIG. 1;

FIG. 7 is a front elevation view of a wall-mounted unit comprising a thermostat and a switch actuator showing another embodiment of my new design;

FIG. 8 is a left side view of the unit of FIG. 7;

FIG. 9 is a right side view of the unit of FIG. 7;

FIG. 10 is a top view of the unit of FIG. 7;

FIG. 11 is a bottom view of the unit of FIG. 7;

FIG. 12 is a perspective view of the unit of FIG. 7;

FIG. 13 is a front elevation view of a wall-mounted unit comprising a thermostat and a switch actuator showing another embodiment of my new design;

FIG. 14 is a left side view of the unit of FIG. 13;

FIG. 15 is a right side view of the unit of FIG. 13;

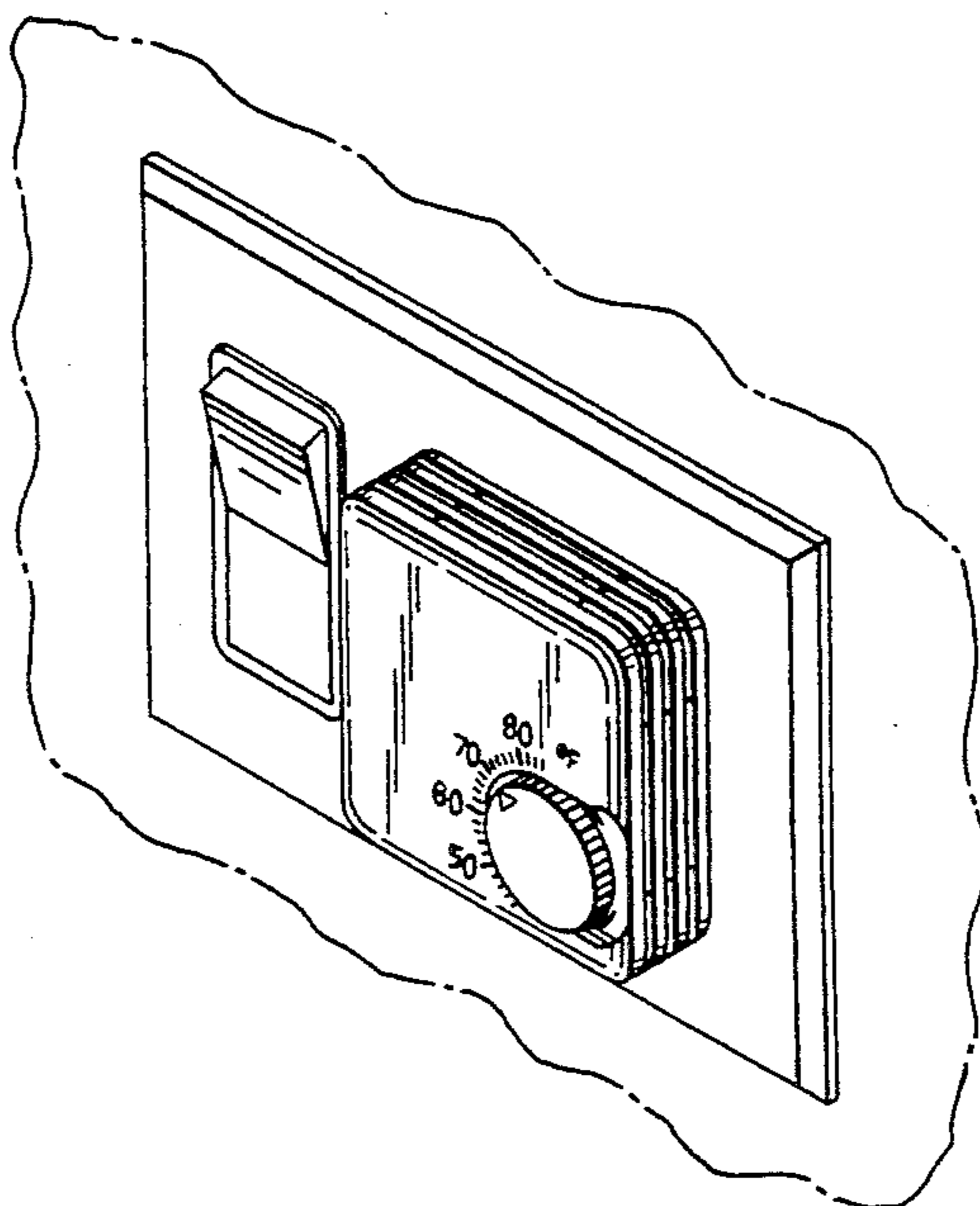
FIG. 16 is a top view of the unit of FIG. 13;

FIG. 17 is a bottom view of the unit of FIG. 13; and,

FIG. 18 is a perspective view of the unit of FIG. 13.

Portions which are not visible when the unit is mounted in its working position on a wall or a room or the like, including all rearwardly-facing portions, form part of the ornamental design of the invention and are, therefore, not shown.

The broken line showing of a portion of a wall is for illustrative purposes only and forms no part of the claimed design.



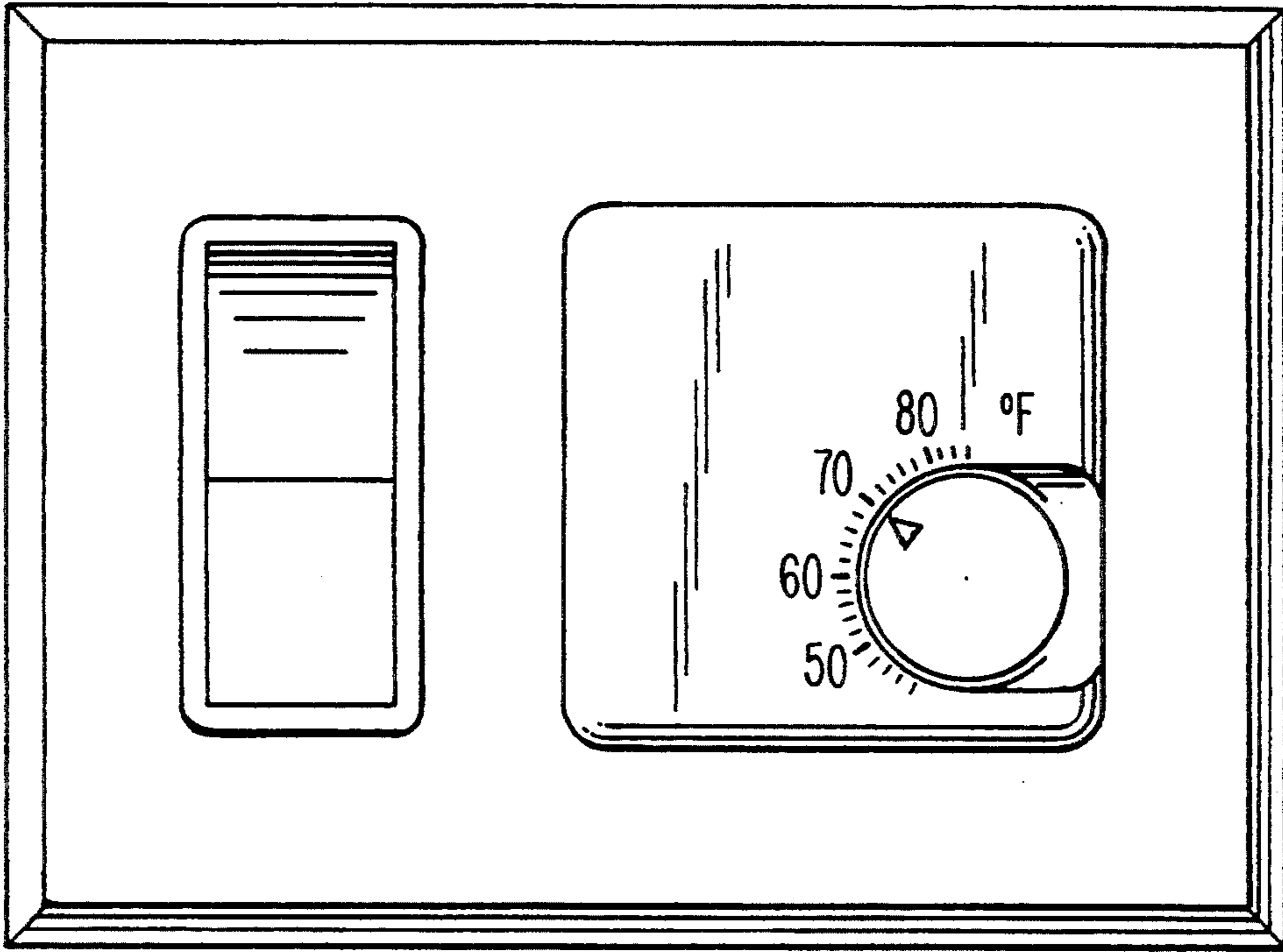


FIG. 1

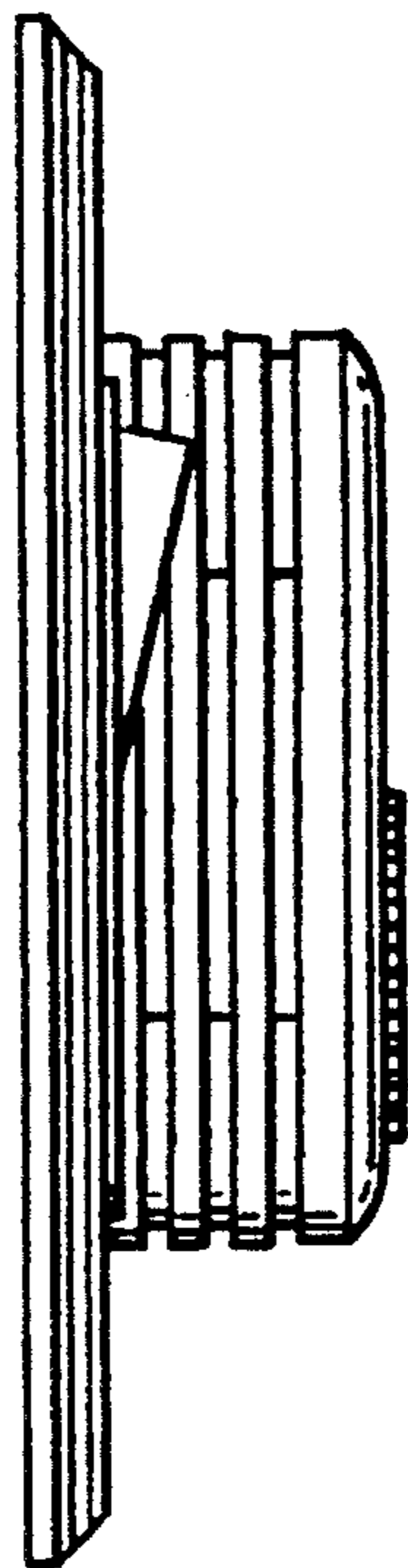


FIG. 2

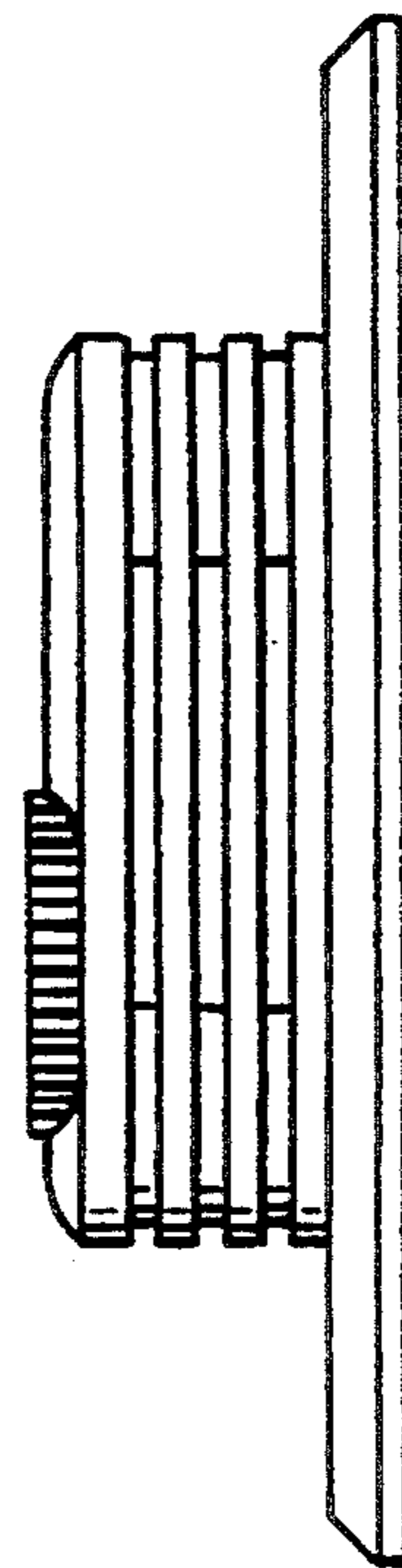


FIG. 3

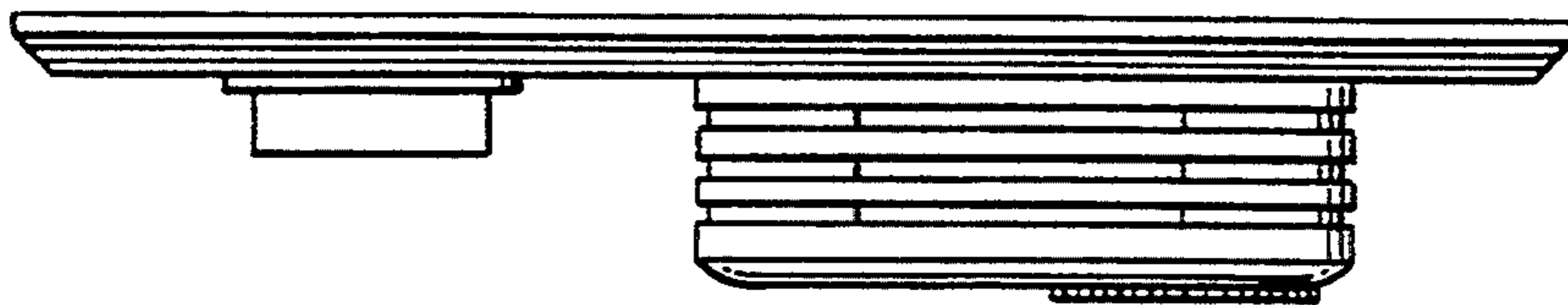


FIG. 4

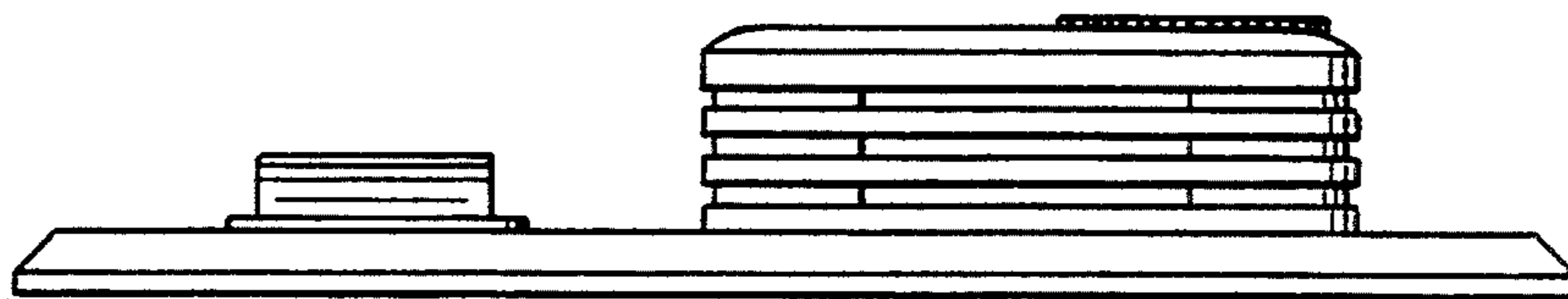


FIG. 5

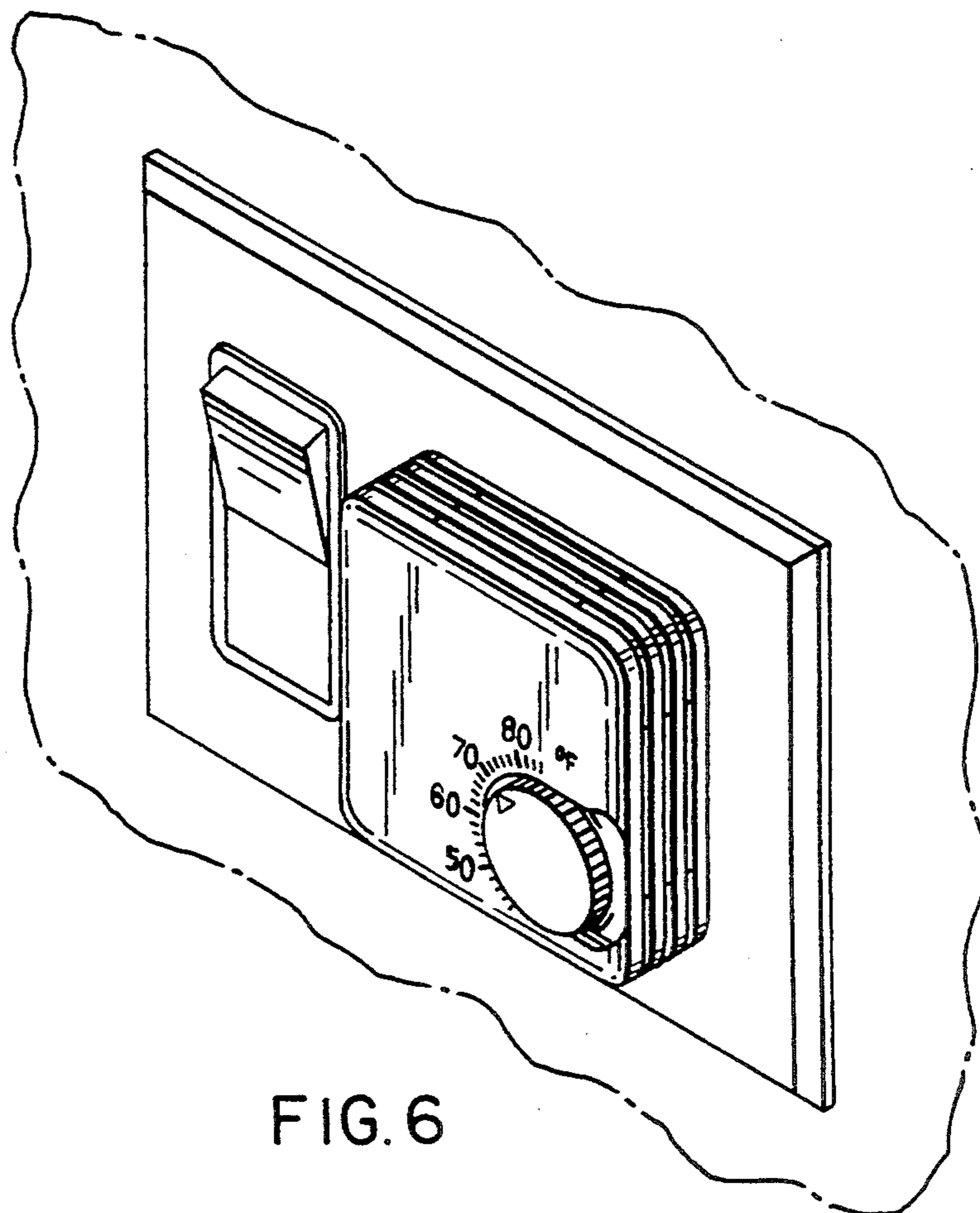


FIG. 6

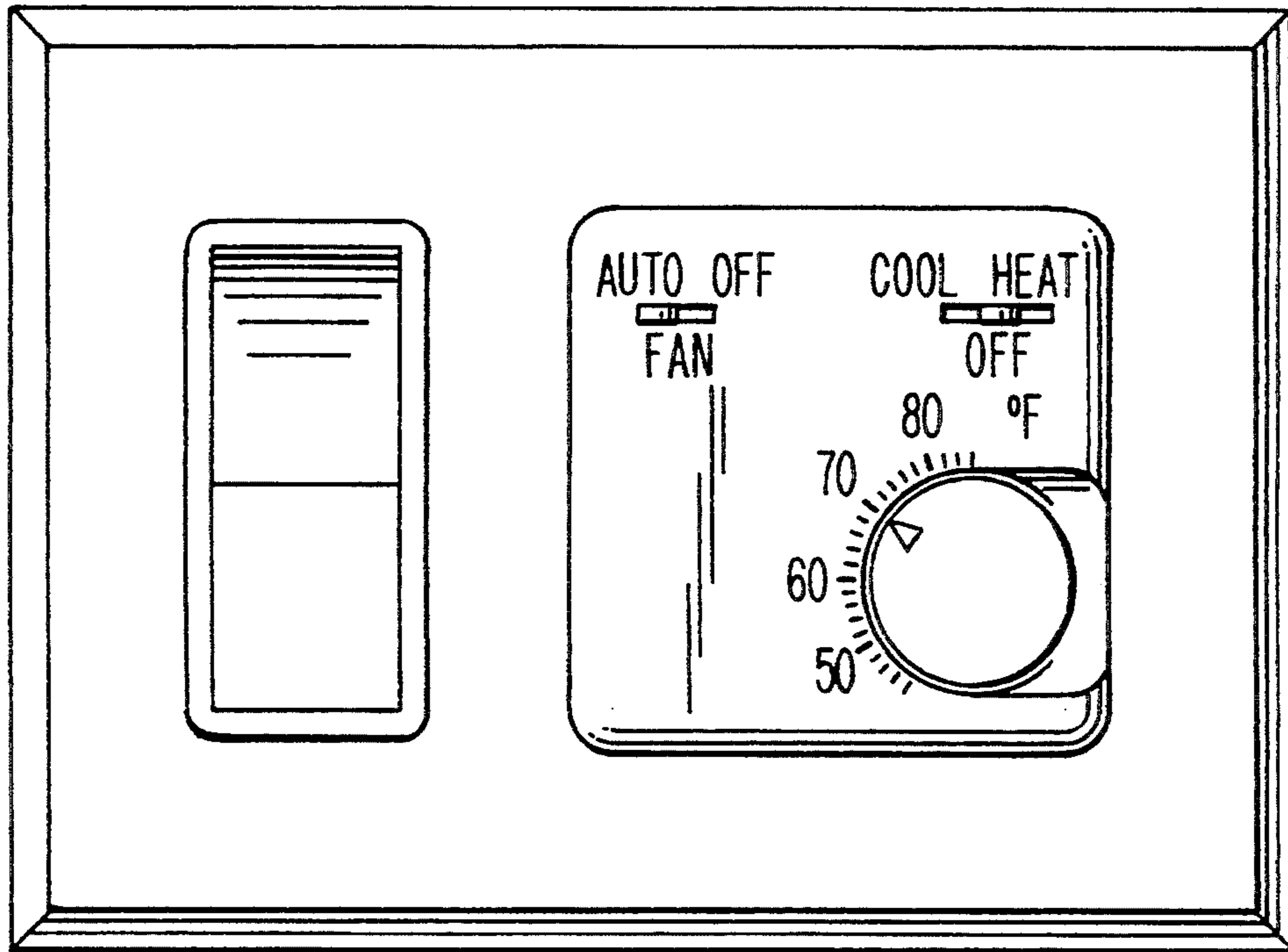


FIG. 7

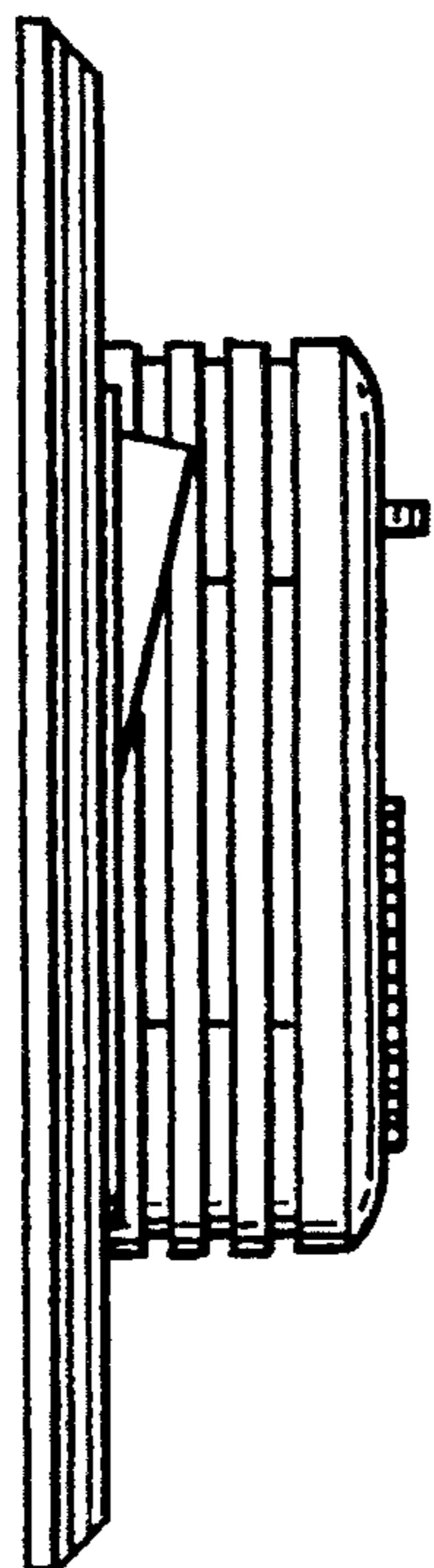


FIG. 8

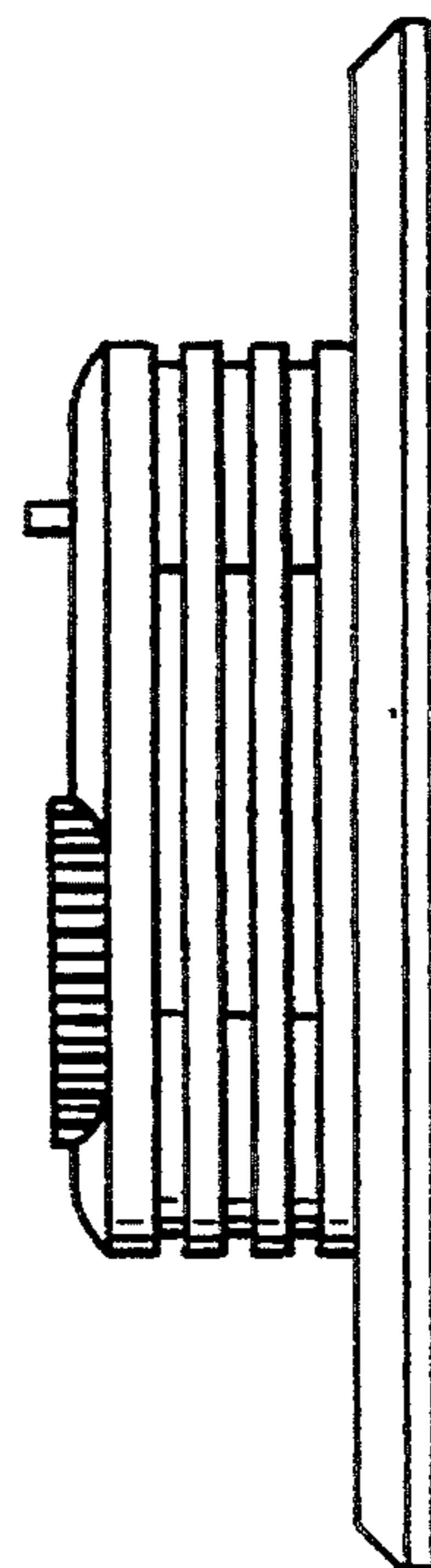


FIG. 9

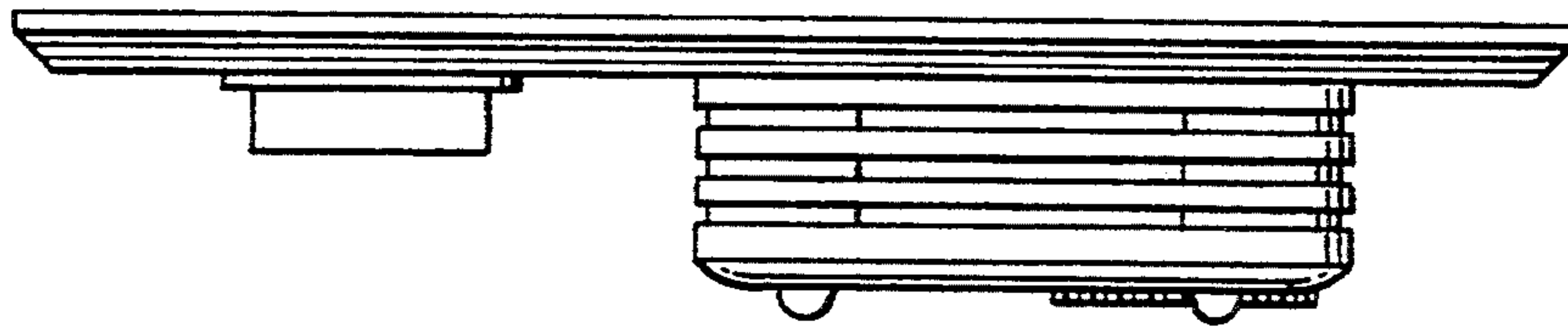


FIG. 10

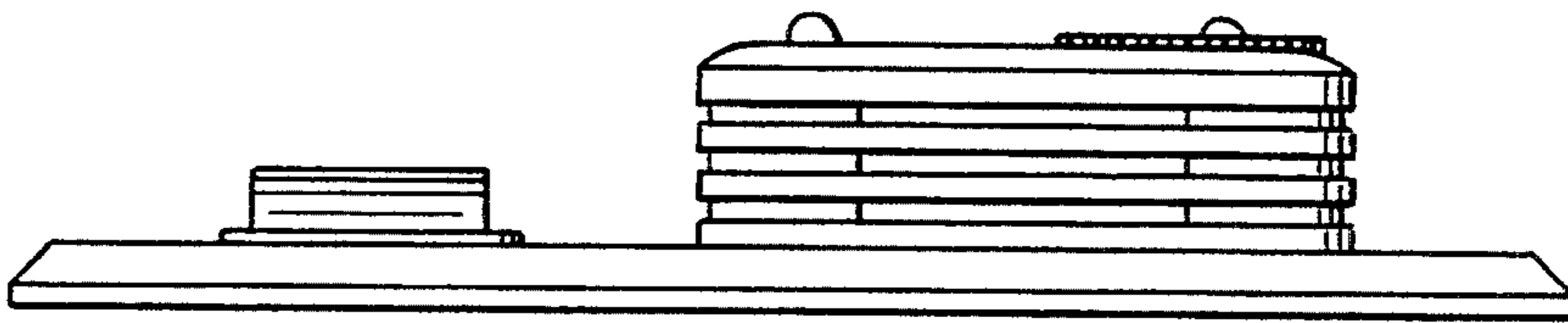


FIG. 11

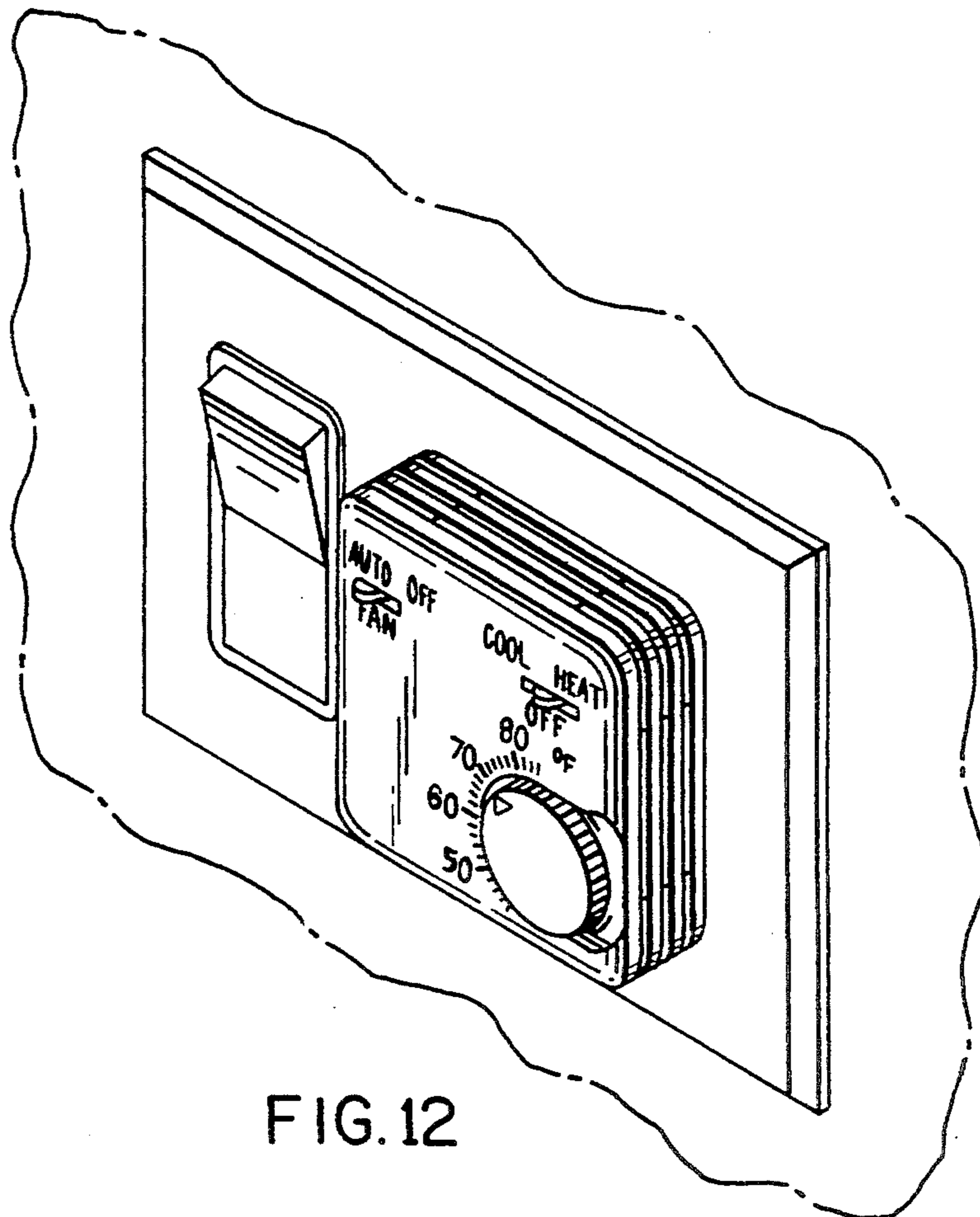


FIG. 12

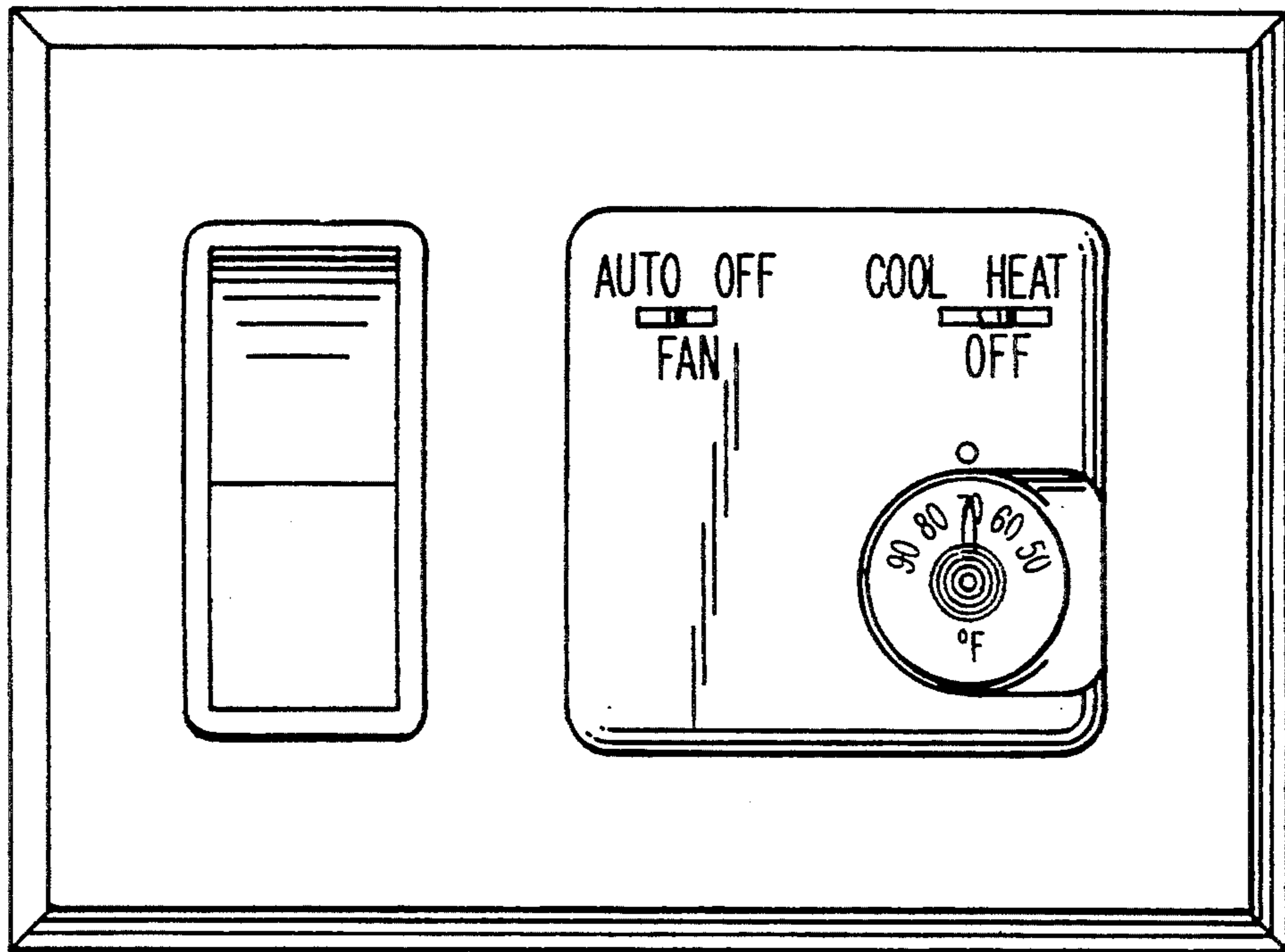


FIG. 13

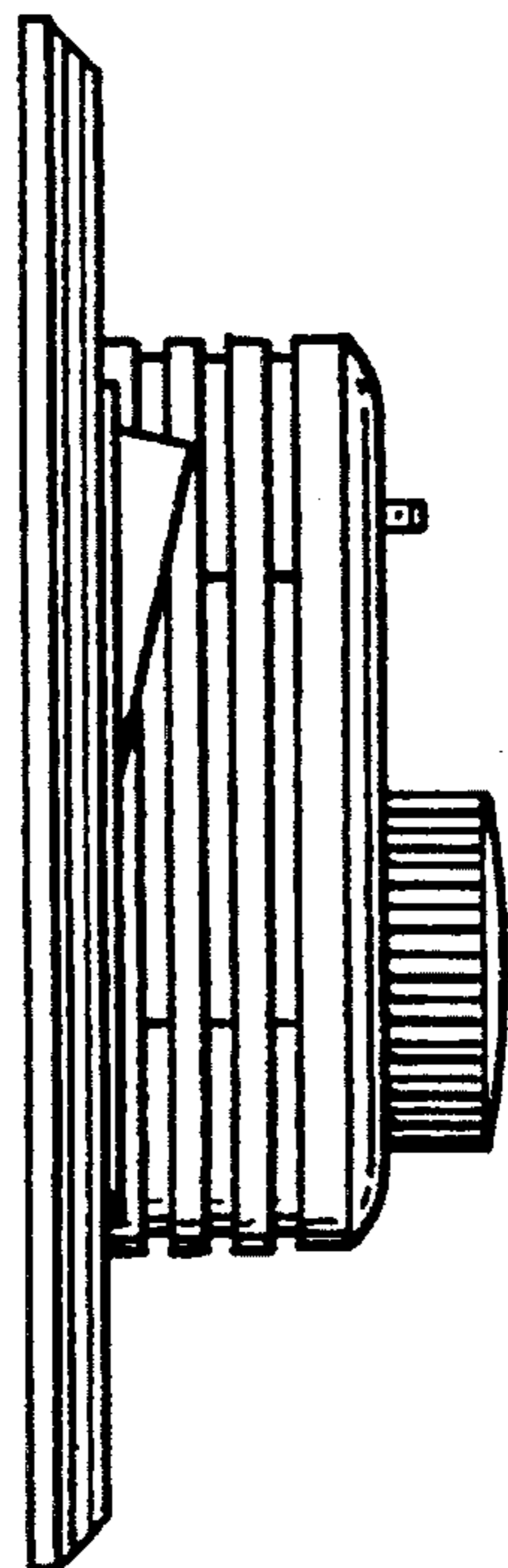


FIG. 14

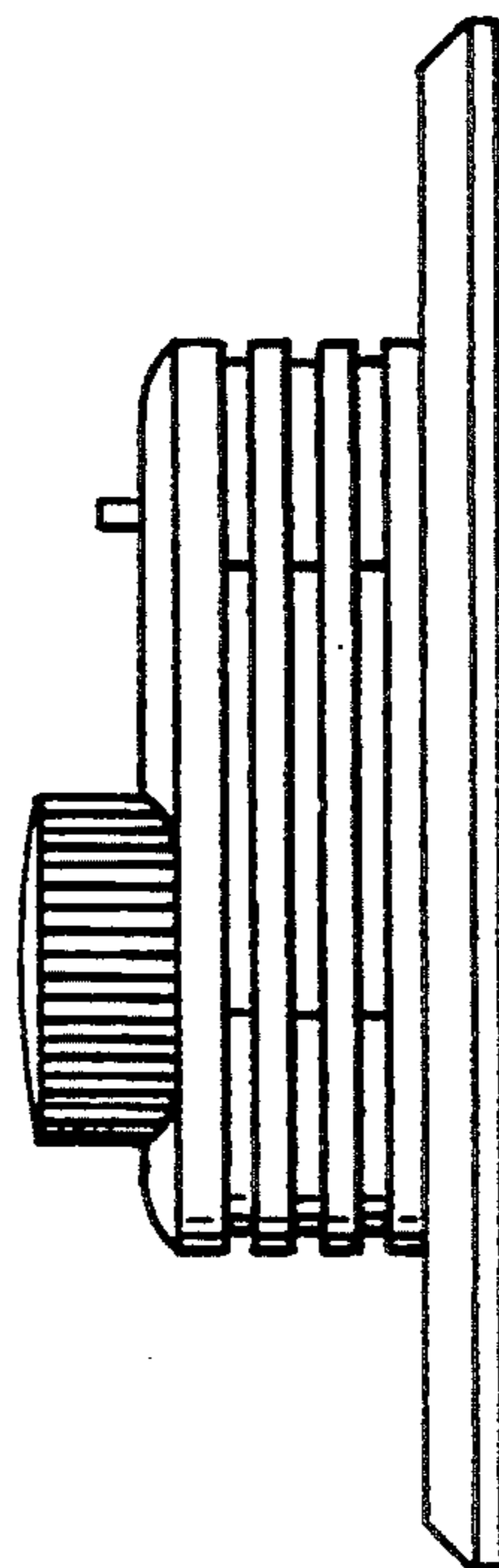


FIG. 15

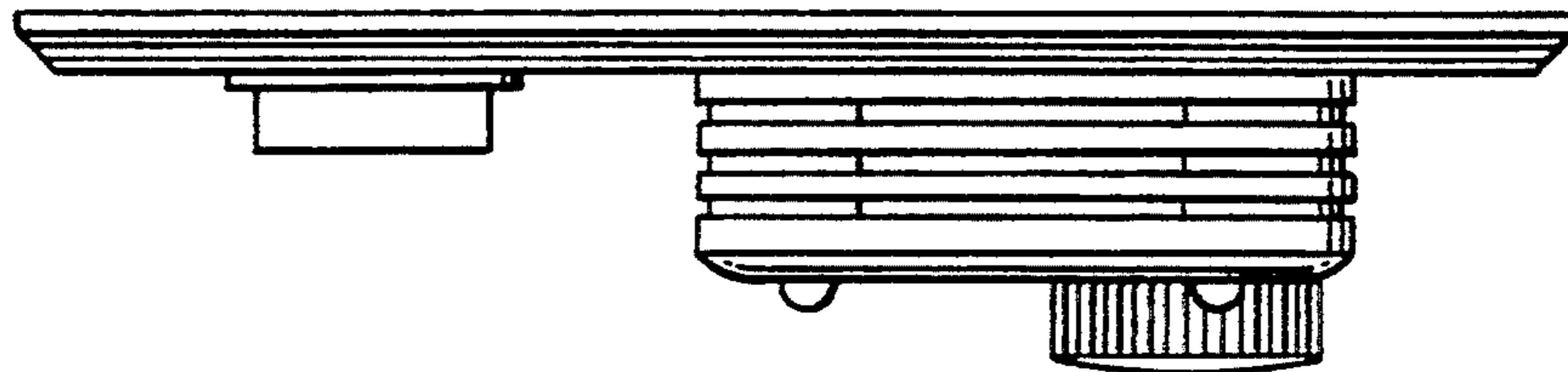


FIG. 16

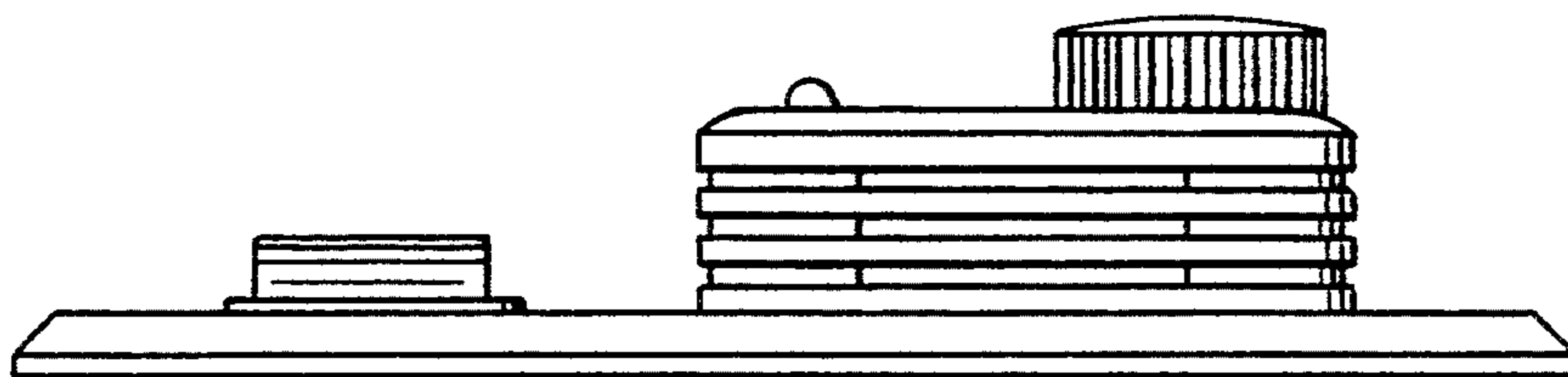


FIG. 17

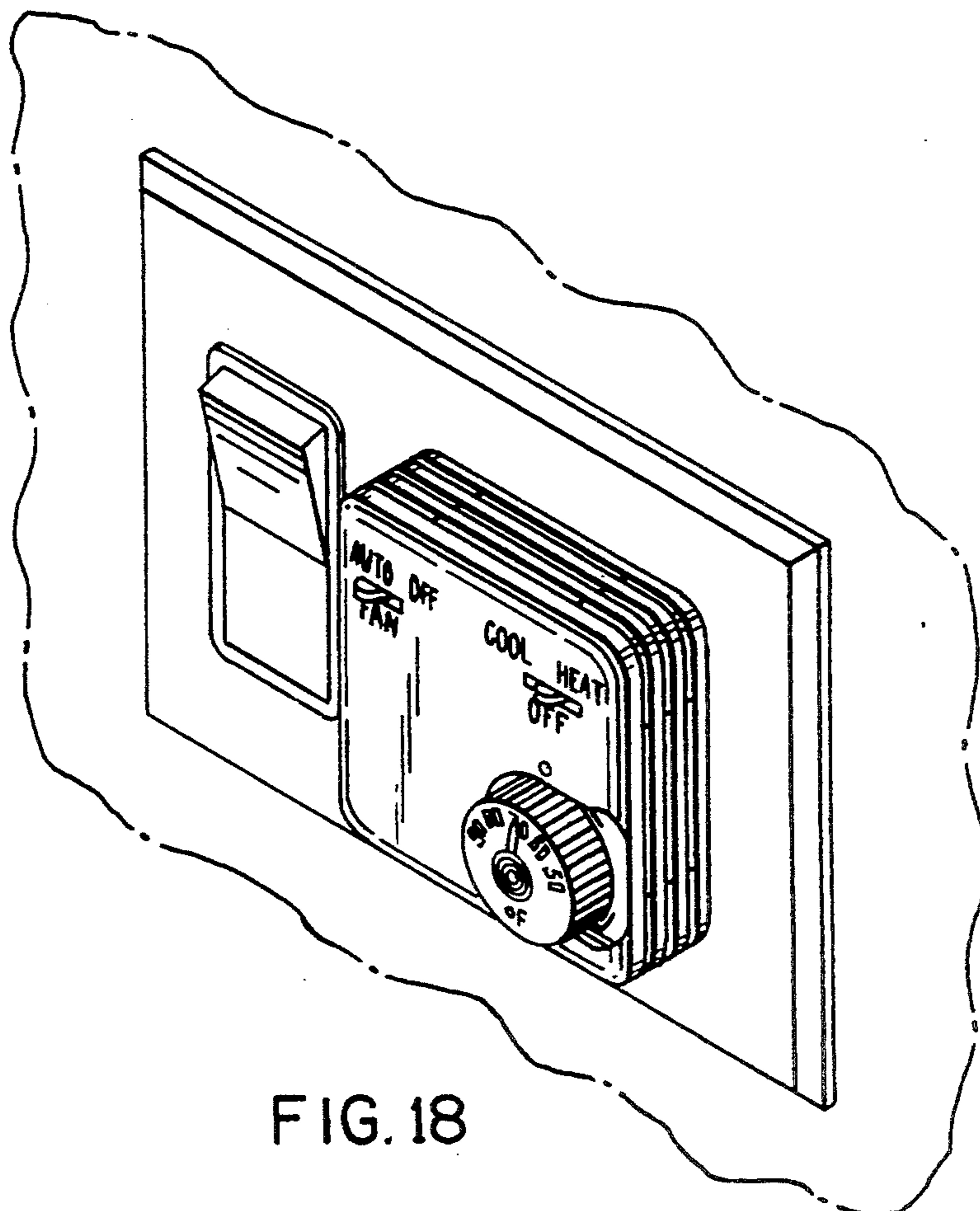


FIG. 18