



US00D357423S

# United States Patent [19]

[11] Patent Number: **Des. 357,423**

**Kihara et al.**

[45] Date of Patent: **\*\* Apr. 18, 1995**

[54] **THERMOSTAT**

[75] Inventors: **Koji Kihara; Toshiharu Hayashi; Shahid Ikram**, all of Gojo, Japan

[73] Assignee: **Wako Electronics Company Limited**, Osaka, Japan

[\*\*] Term: **14 Years**

[21] Appl. No.: **12,674**

[22] Filed: **Sep. 8, 1993**

[30] **Foreign Application Priority Data**

Mar. 9, 1993 [JP] Japan ..... 5-6866

[52] U.S. Cl. .... **D10/50; D13/158**

[58] Field of Search ..... D10/46, 49, 50, 51; D13/158; 73/114, 119 A, 861, 861.01, 861.02; 137/554; 324/415, 417; 337/333, 334, 335, 336, 343, 344, 347, 370, 372, 380, 381; 374/132, 205, 206, 207, 208

[56] **References Cited**

**U.S. PATENT DOCUMENTS**

D. 204,060 3/1966 Simmons ..... D13/158

D. 336,072	6/1993	Givler .....	D13/158
2,954,447	9/1960	Bolesky et al. ....	337/333 X
4,754,252	6/1988	Craig, III .....	337/380
4,952,901	8/1990	Chrupeala et al. ....	337/380 X
5,089,800	2/1992	Yang .....	337/380
5,296,834	3/1994	Urban .....	337/372

*Primary Examiner*—Alan P. Douglas  
*Assistant Examiner*—Antoine D. Davis  
*Attorney, Agent, or Firm*—Popham, Haik, Schnobrich & Kaufman, Ltd.

[57] **CLAIM**

The ornamental design for a thermostat, as shown and described.

**DESCRIPTION**

FIG. 1 is a perspective view of a thermostat embodying the present inventive design;  
FIG. 2 is a top plan view of the thermostat of FIG. 1;  
FIG. 3 is a front elevational view;  
FIG. 4 is a rear elevational view;  
FIG. 5 is a bottom plan view;  
FIG. 6 is a left side elevational view; and,  
FIG. 7 is a right side elevational view.

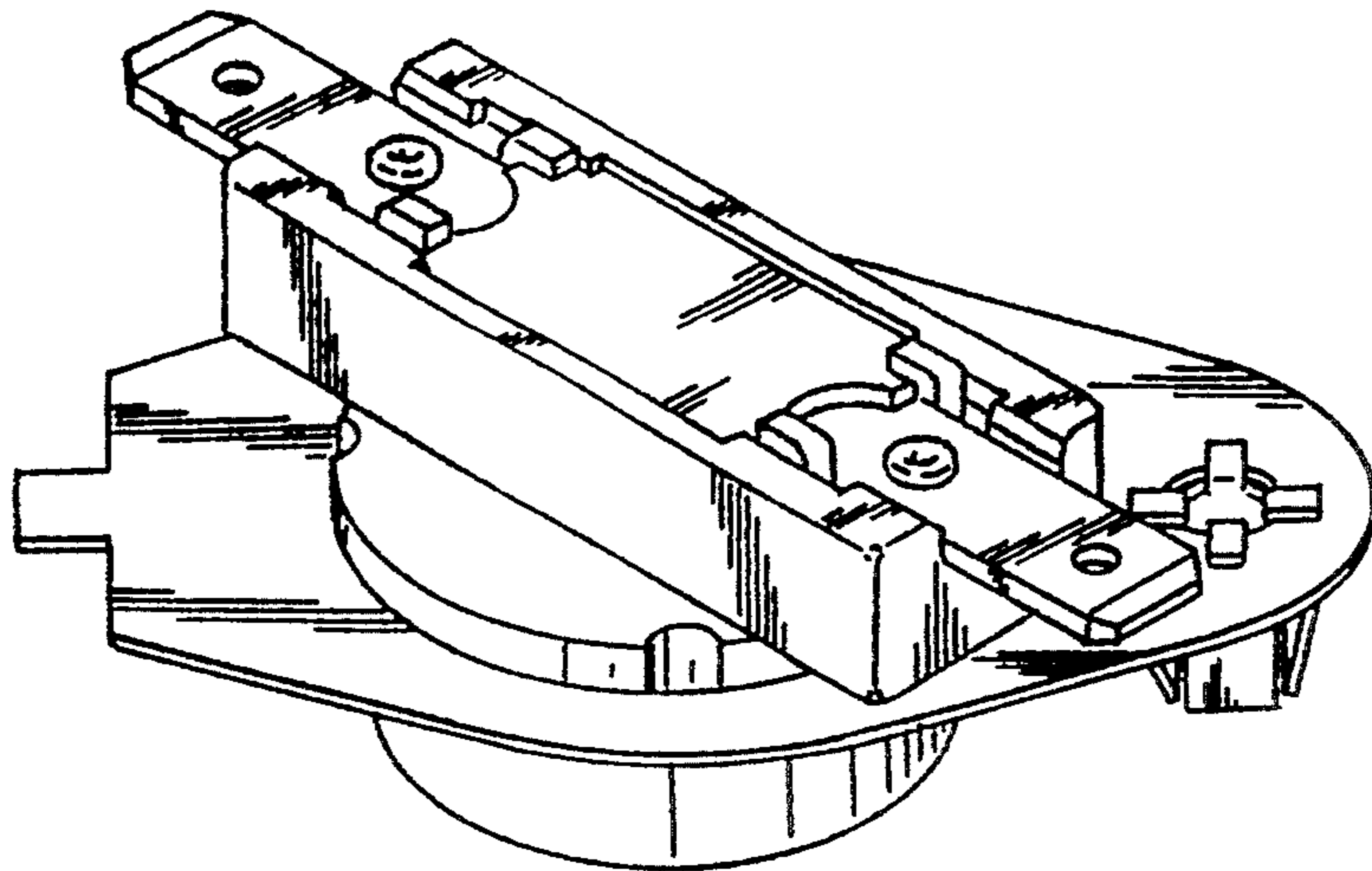


FIG. 1

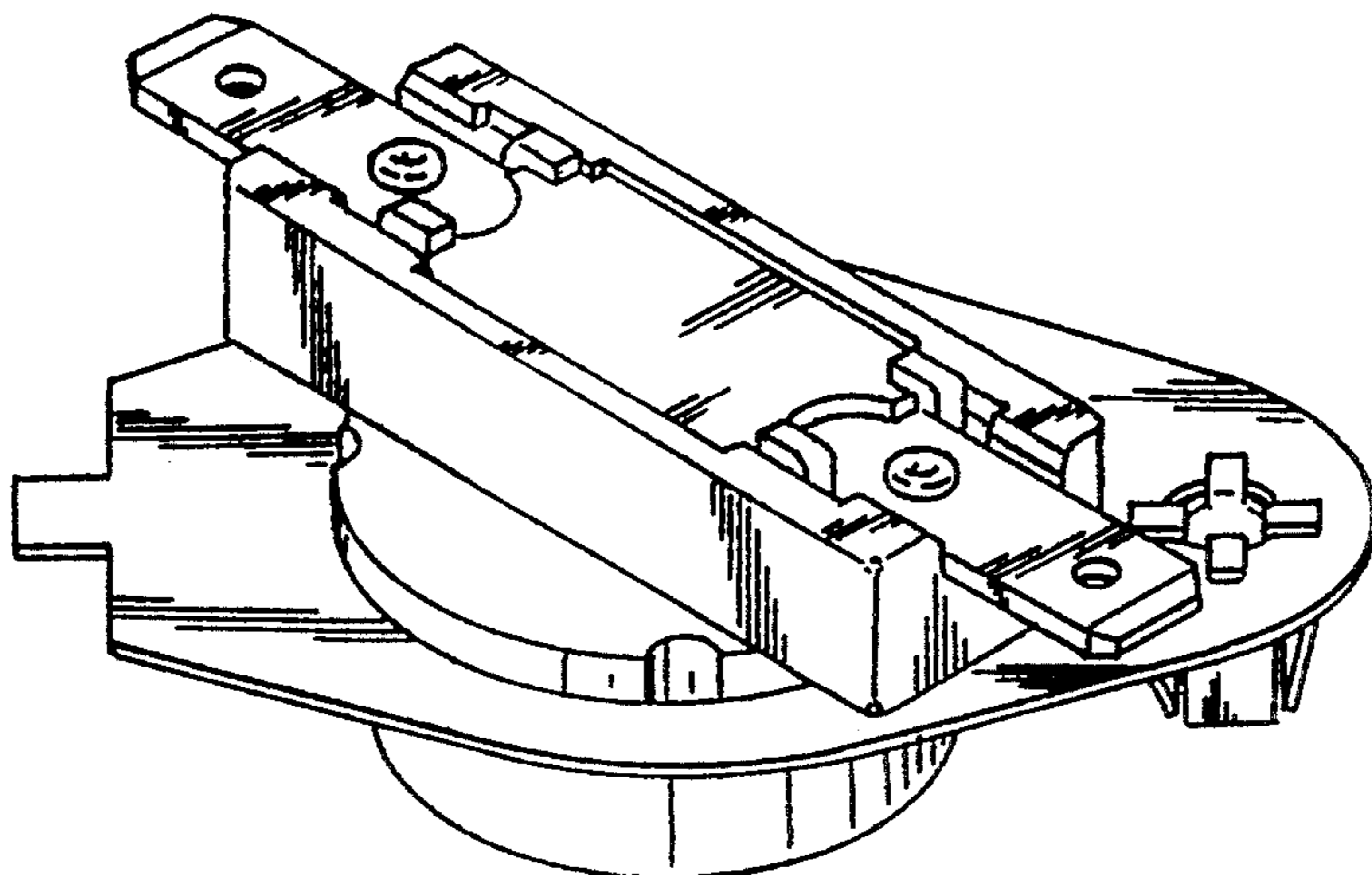


FIG. 2

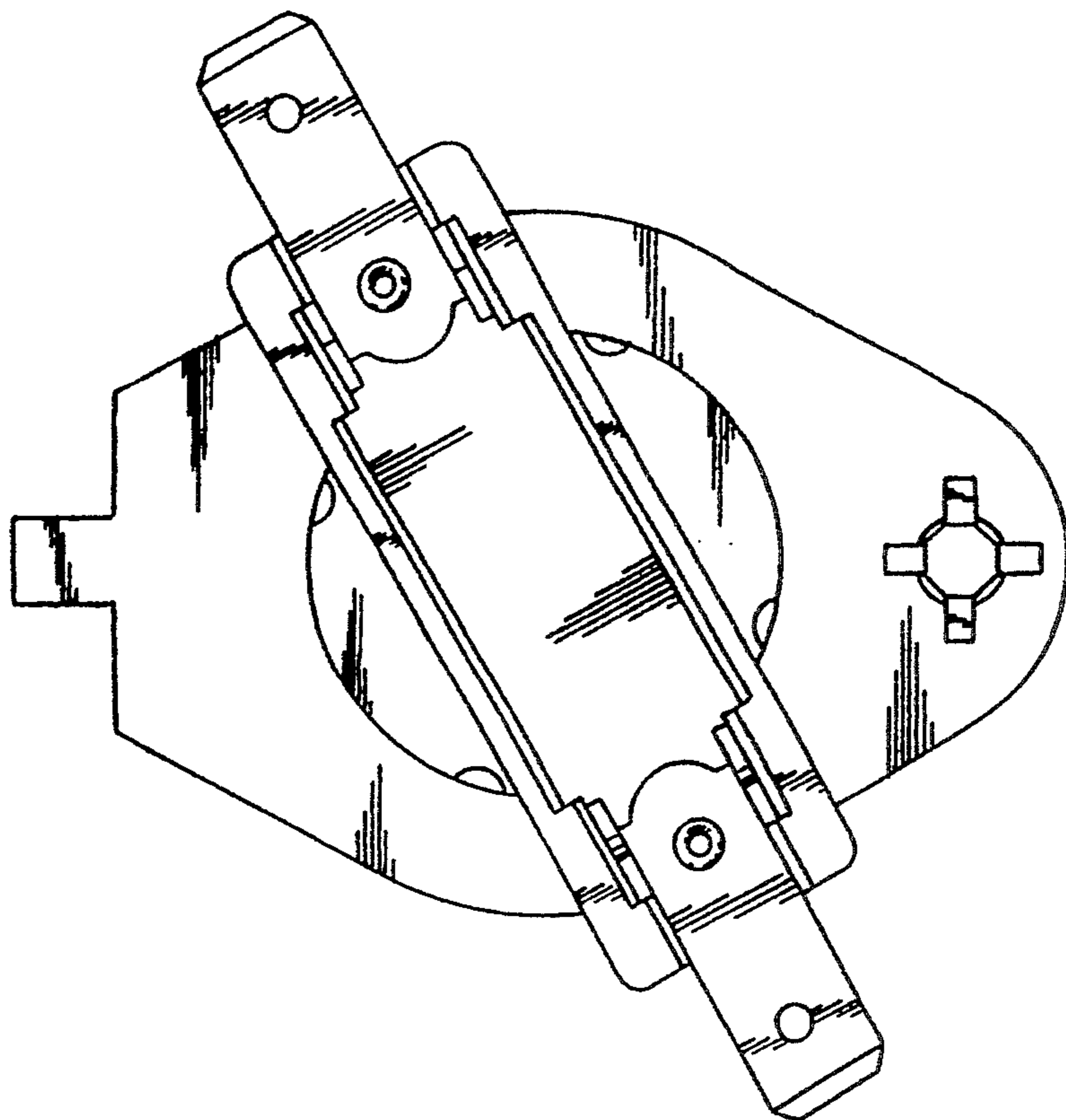


FIG. 3

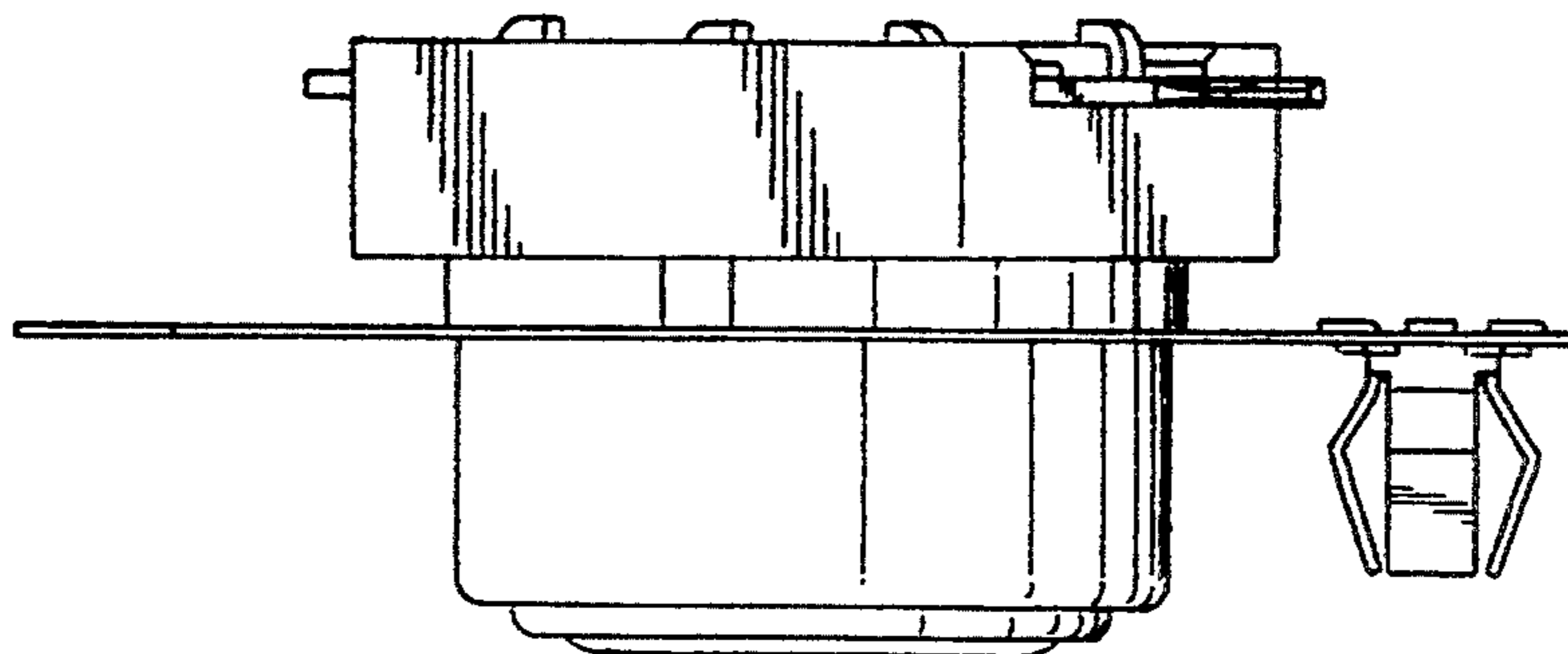


FIG. 4

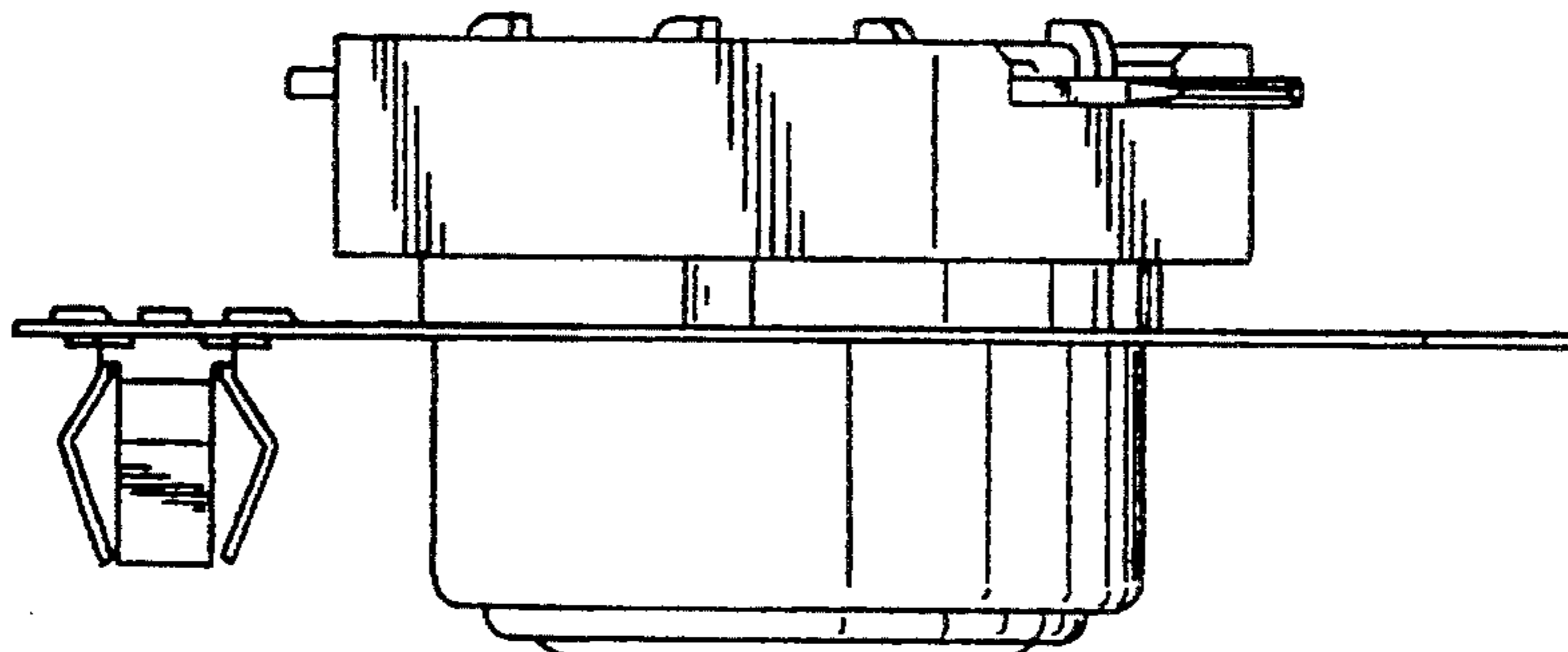


FIG. 5

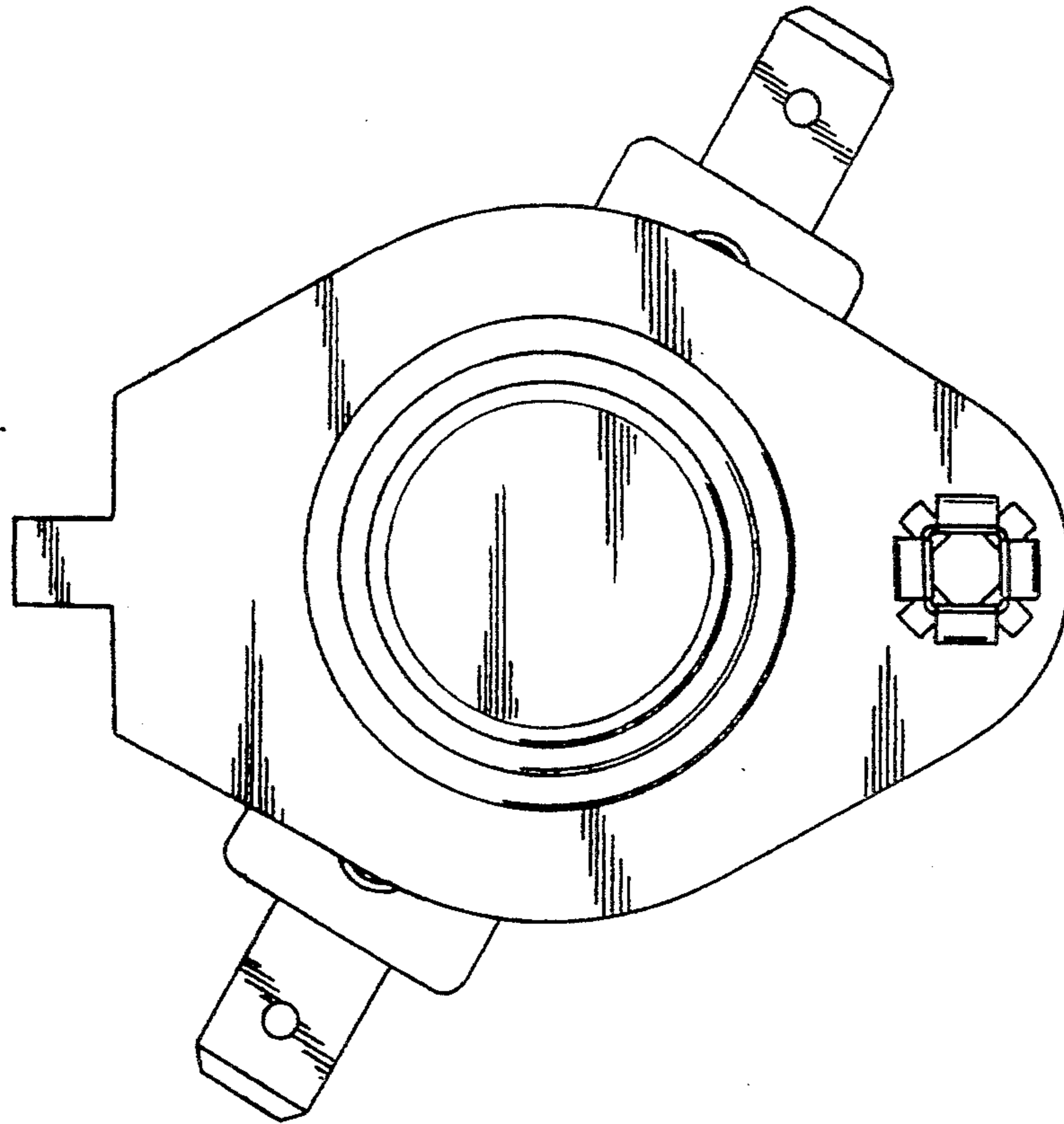


FIG. 6

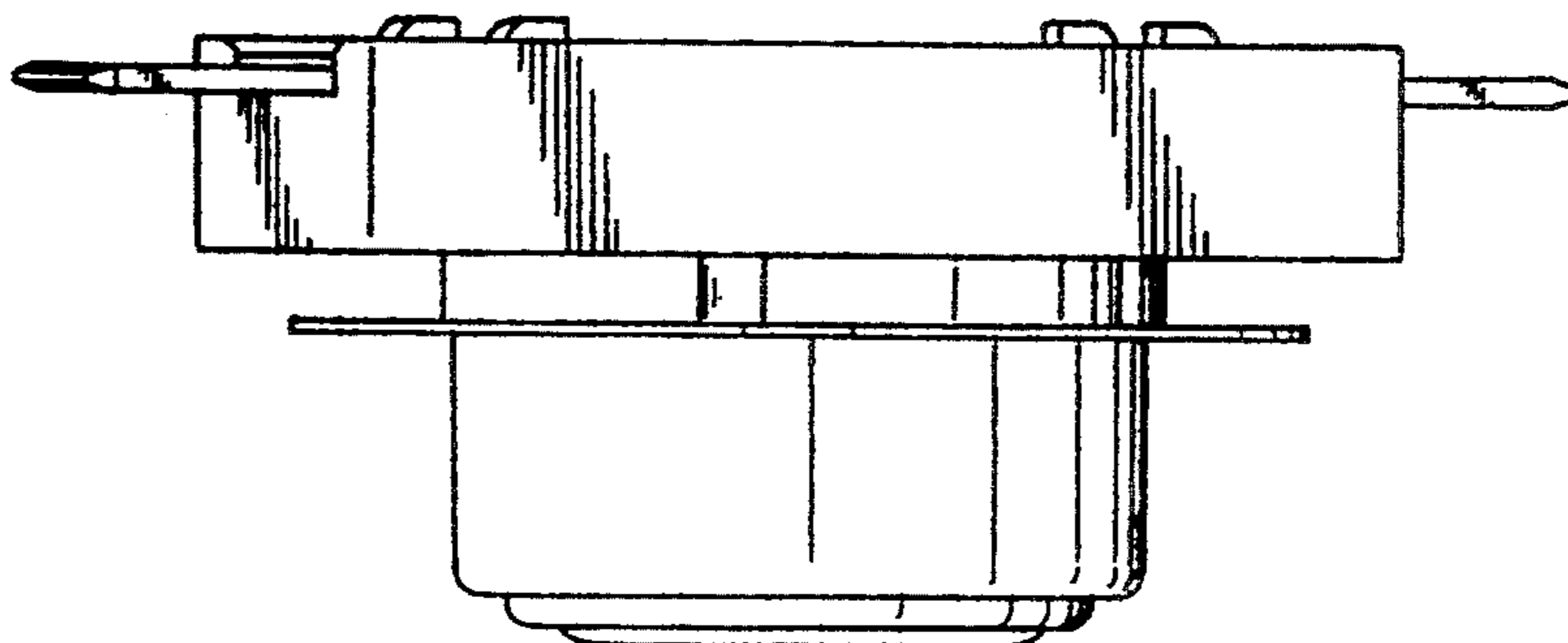


FIG. 7

