



US00D357422S

United States Patent [19]

[11] Patent Number: **Des. 357,422**

Nakao et al.

[45] Date of Patent: **** Apr. 18, 1995**

[54] THERMOSTAT

[56] References Cited

[75] Inventors: **Takekazu Nakao; Koji Kihara; Toshiharu Hayashi; Shahid Ikram**, all of Gojo, Japan

U.S. PATENT DOCUMENTS

| | | | | |
|------------|--------|------------------|-------|-----------|
| D. 204,060 | 3/1966 | Simmons | | D13/158 |
| D. 336,072 | 6/1993 | Givler | | D13/158 |
| 2,954,447 | 9/1960 | Bolesky et al. | | 337/333 X |
| 4,754,252 | 6/1988 | Craig, III | | 337/380 |
| 4,952,901 | 8/1990 | Chrupcala et al. | | 337/380 X |
| 5,089,800 | 2/1992 | Yang | | 337/380 |
| 5,296,834 | 3/1994 | Urban | | 337/372 |

[73] Assignee: **Wako Electronics Company Limited**, Osaka, Japan

Primary Examiner—Alan P. Douglas
Assistant Examiner—Antonie D. Davis
Attorney, Agent, or Firm—Popham, Haik, Schnobrich & Kaufman, Ltd.

[**] Term: **14 Years**

[21] Appl. No.: **12,673**

[57] CLAIM

[22] Filed: **Sep. 8, 1993**

The ornamental design for a thermostat, as shown and described.

[30] Foreign Application Priority Data

DESCRIPTION

Mar. 9, 1993 [JP] Japan 5-6865

[52] U.S. Cl. **D10/50; D13/158**

[58] Field of Search D10/46, 49, 50, 51; D13/158; 73/114, 119 A, 861, 861.01, 861.02; 137/554; 324/415, 417; 337/333, 334, 335, 336, 343, 344, 347, 380, 381, 370, 372; 374/132, 205, 206, 207, 208

FIG. 1 is a perspective view of a thermostat embodying the present inventive design;

FIG. 2 is a top plan view of the thermostat of FIG. 1;

FIG. 3 is a front elevational view;

FIG. 4 is a rear elevational view;

FIG. 5 is a bottom plan view;

FIG. 6 is a left side elevational view; and,

FIG. 7 is a right side elevational view.

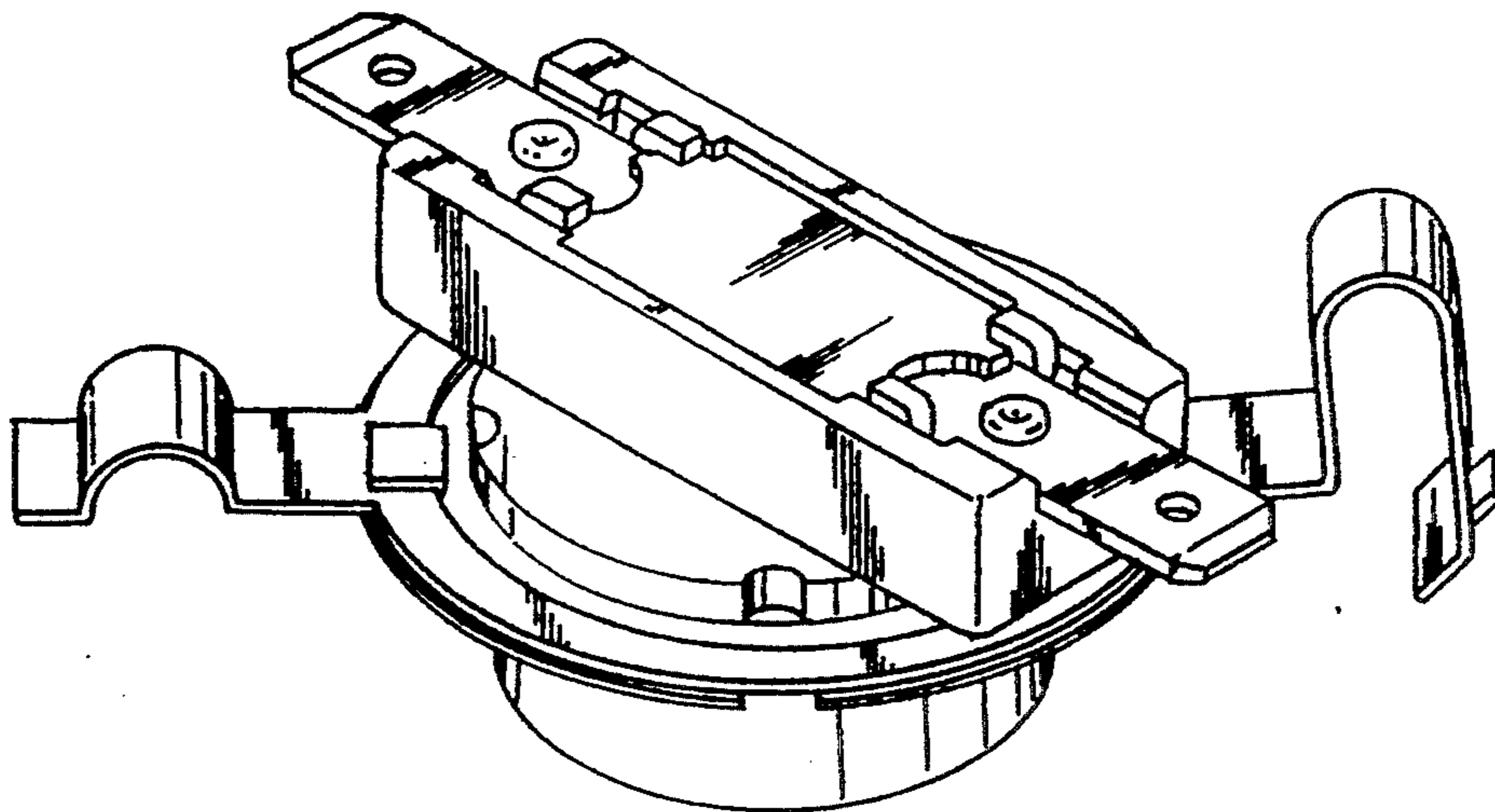


FIG. 1

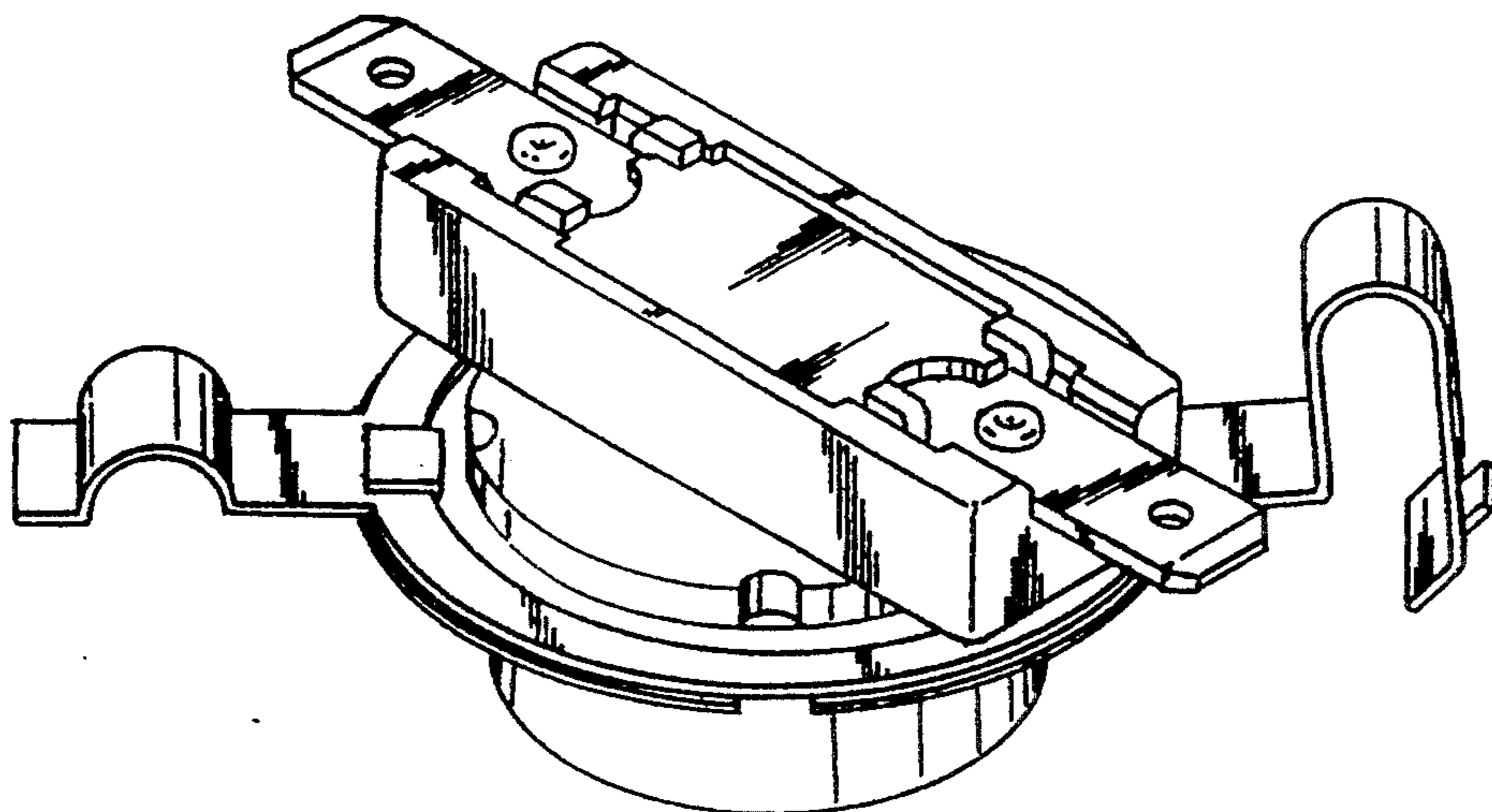


FIG. 2

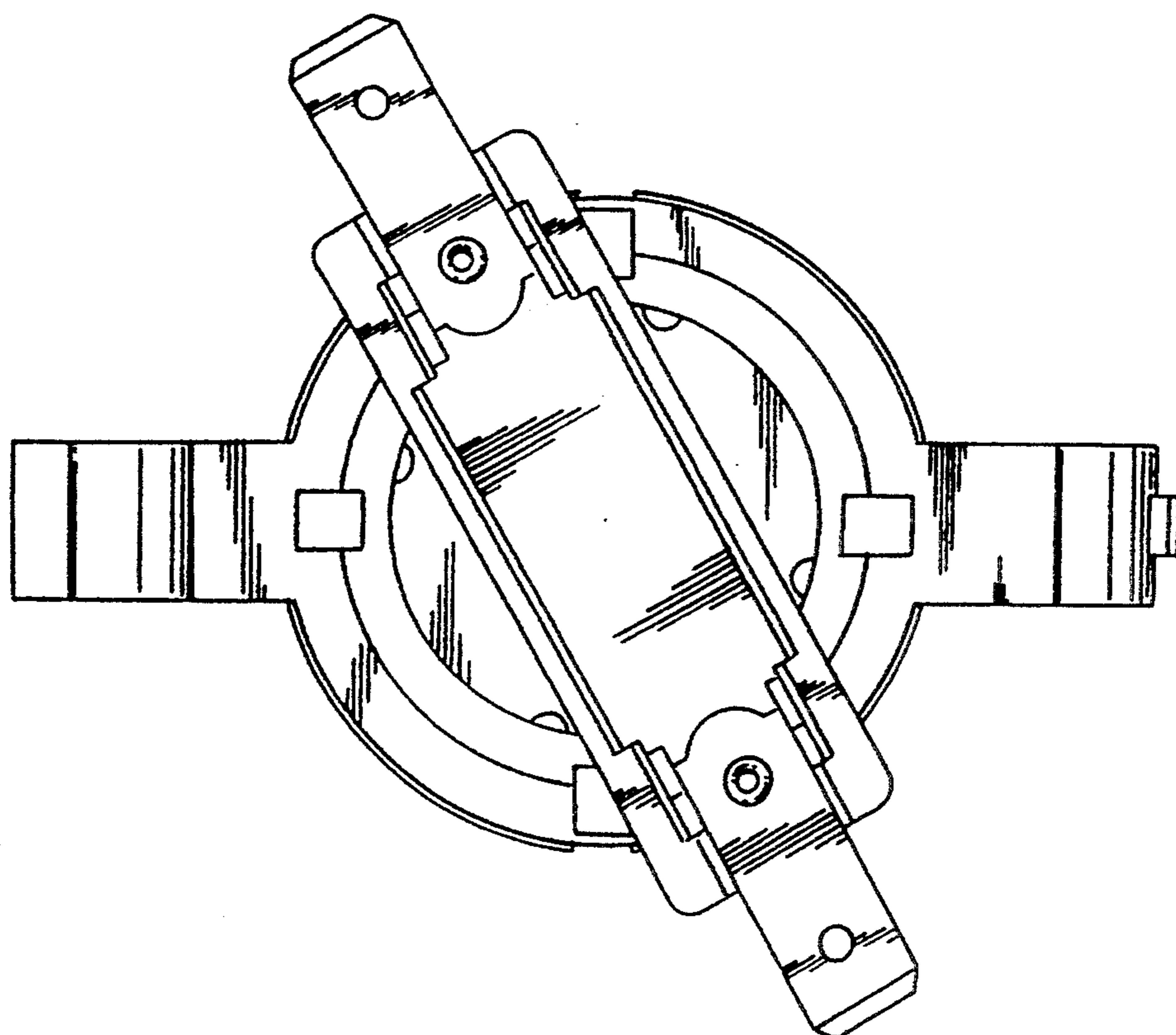


FIG. 3

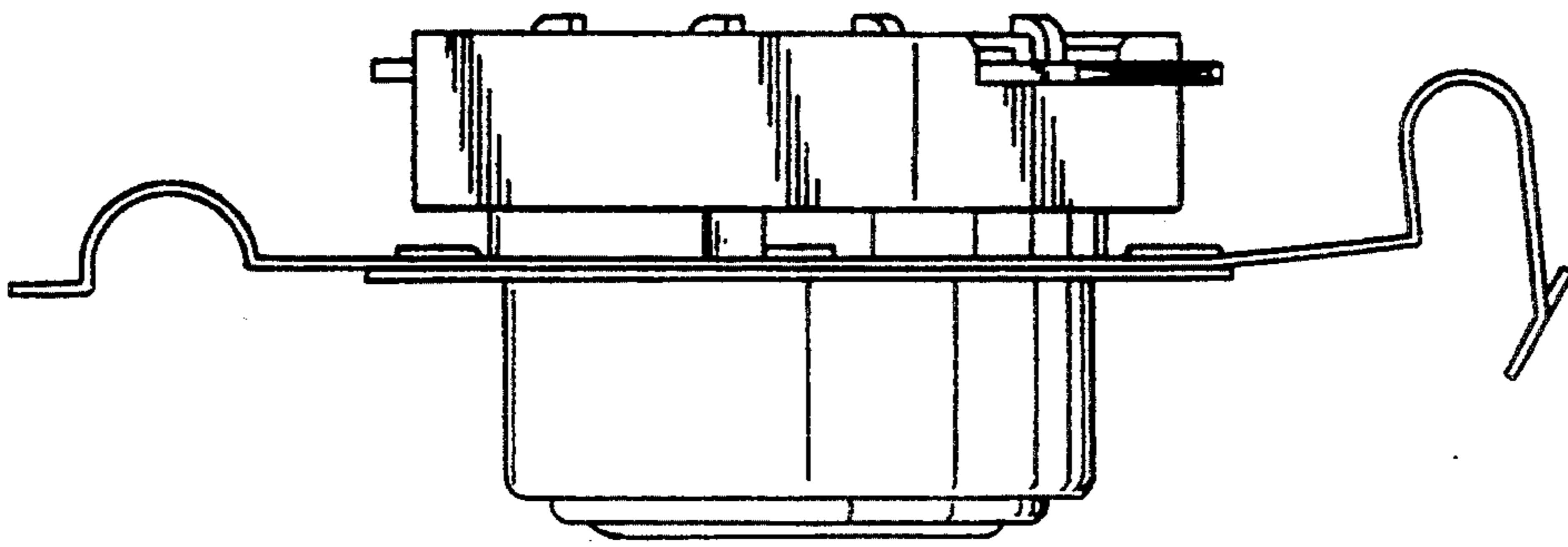


FIG. 4

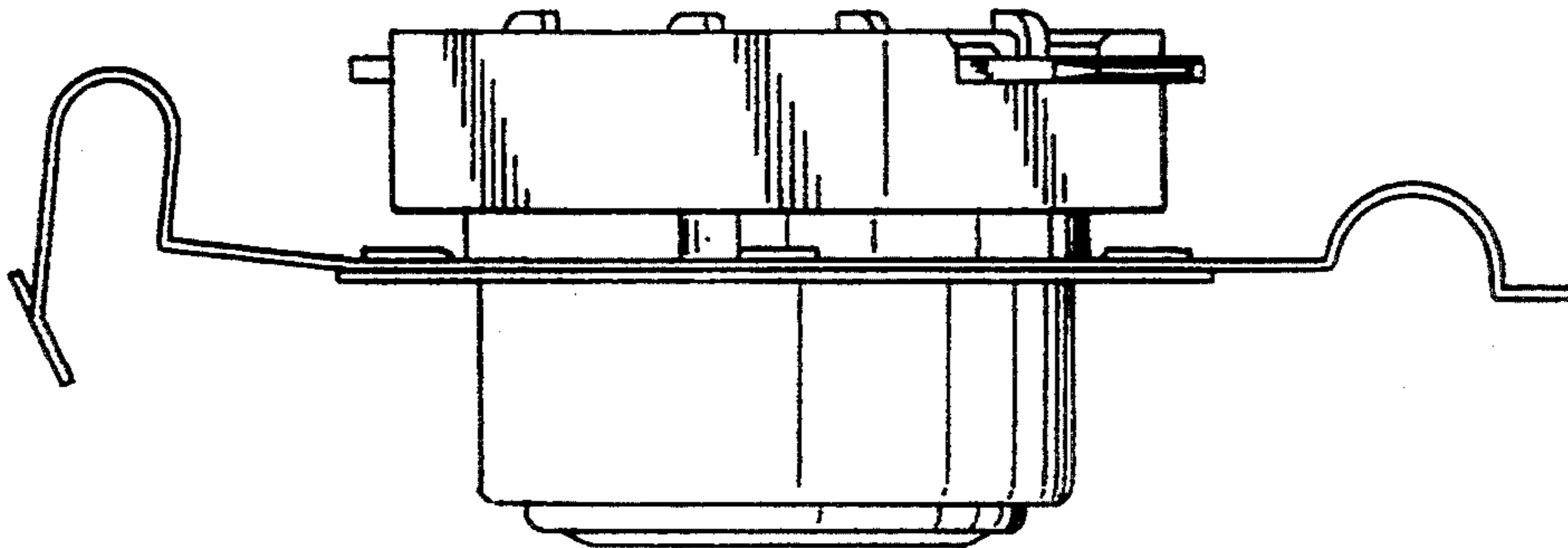


FIG. 5

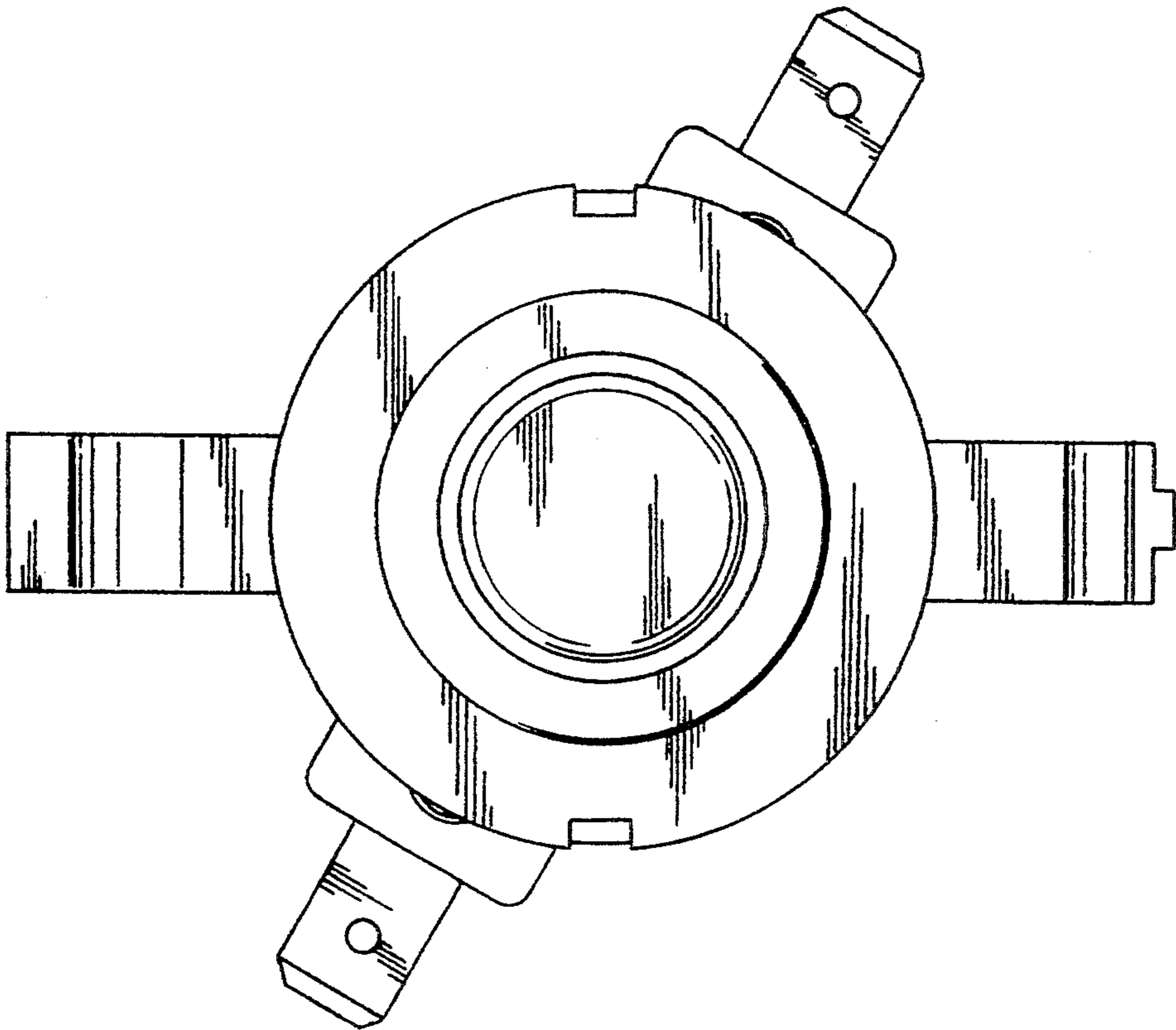


FIG. 6

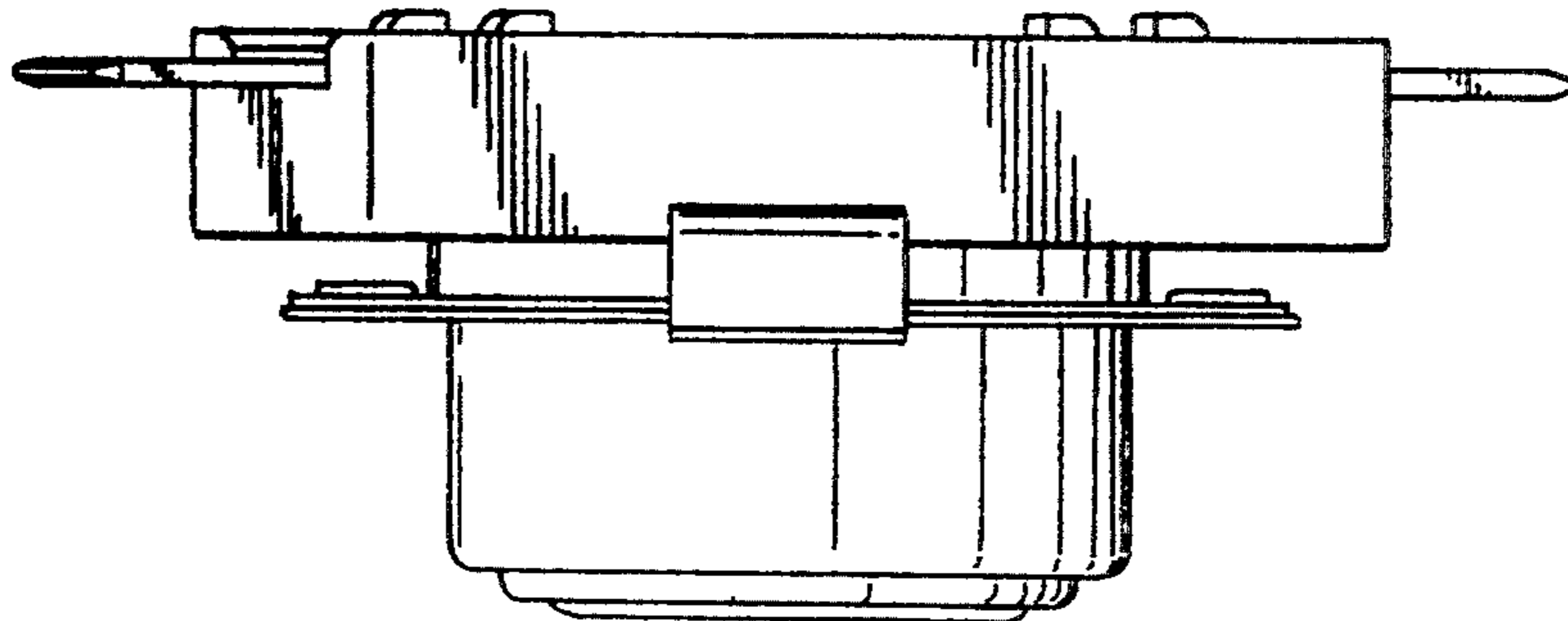


FIG. 7

