



US00D357420S

United States Patent [19]
Wong

[11] **Patent Number: Des. 357,420**
[45] **Date of Patent: ** Apr. 18, 1995**

[54] **SLIDING ANALOGUE CLOCK**

[75] Inventor: **Lai L. Wong, Shatin, Hong Kong**

[73] Assignee: **Ballanda Limited, Kwai Chung, Hong Kong**

[**] Term: **14 Years**

[21] Appl. No.: **10,316**

[22] Filed: **Jul. 6, 1993**

[52] U.S. Cl. **D10/18; D10/24**

[58] Field of Search **D10/1-40, D10/122-132; 368/276-277, 285**

[56] **References Cited**

U.S. PATENT DOCUMENTS

- D. 76,424 9/1928 Schlacht D10/18 X
- D. 274,409 6/1984 Malamoud D10/18
- D. 278,036 3/1985 Maruyama D10/30
- D. 346,749 5/1994 Wong D10/24
- 1,651,804 12/1927 Bosch 368/317

FOREIGN PATENT DOCUMENTS

- 133517 6/1929 Switzerland 368/276

OTHER PUBLICATIONS

Hong Kong Enterprise-Jun. 1990-p. 102-Clock #M-108L at lower-center.

Jewelers Circular-Keystone-Sep. 1984-p. 80 Slide Clock at center.

Primary Examiner-Nelson C. Holtje
Attorney, Agent, or Firm-Beveridge, DeGrandi, Weilacher & Young

[57] **CLAIM**

The ornamental design for a sliding analogue clock, as shown and described.

DESCRIPTION

FIG. 1 is a front elevational view of a sliding analogue clock showing my new design;

FIG. 2 is a back elevational view thereof;

FIG. 3 is a left side elevational view thereof;

FIG. 4 is a right side elevational view thereof;

FIG. 5 is a top elevational view thereof;

FIG. 6 is a bottom elevational view thereof;

FIG. 7 is a front elevational view thereof, with lid being in a covered position; and,

FIG. 8 is a top elevational view thereof, with lid being in a covered position.

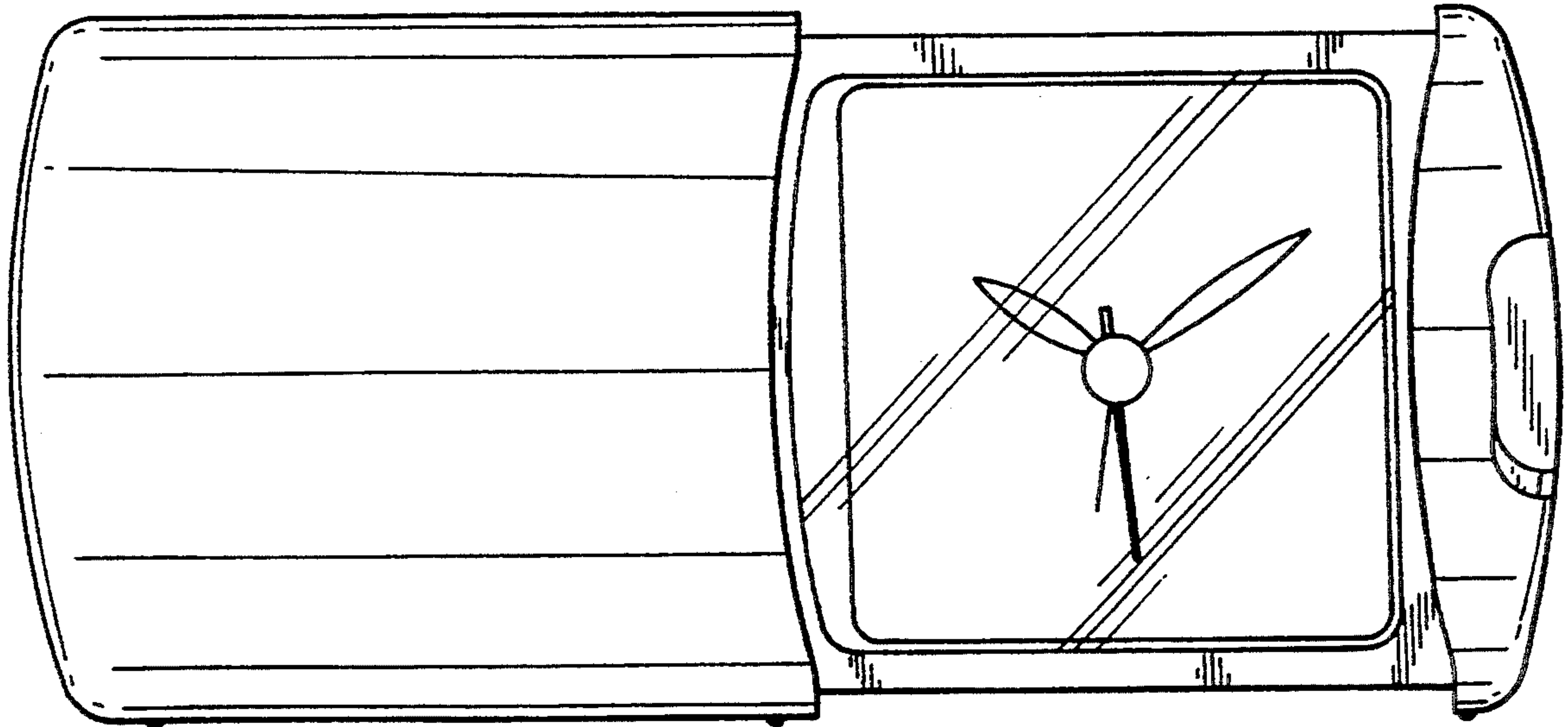


FIG. 1

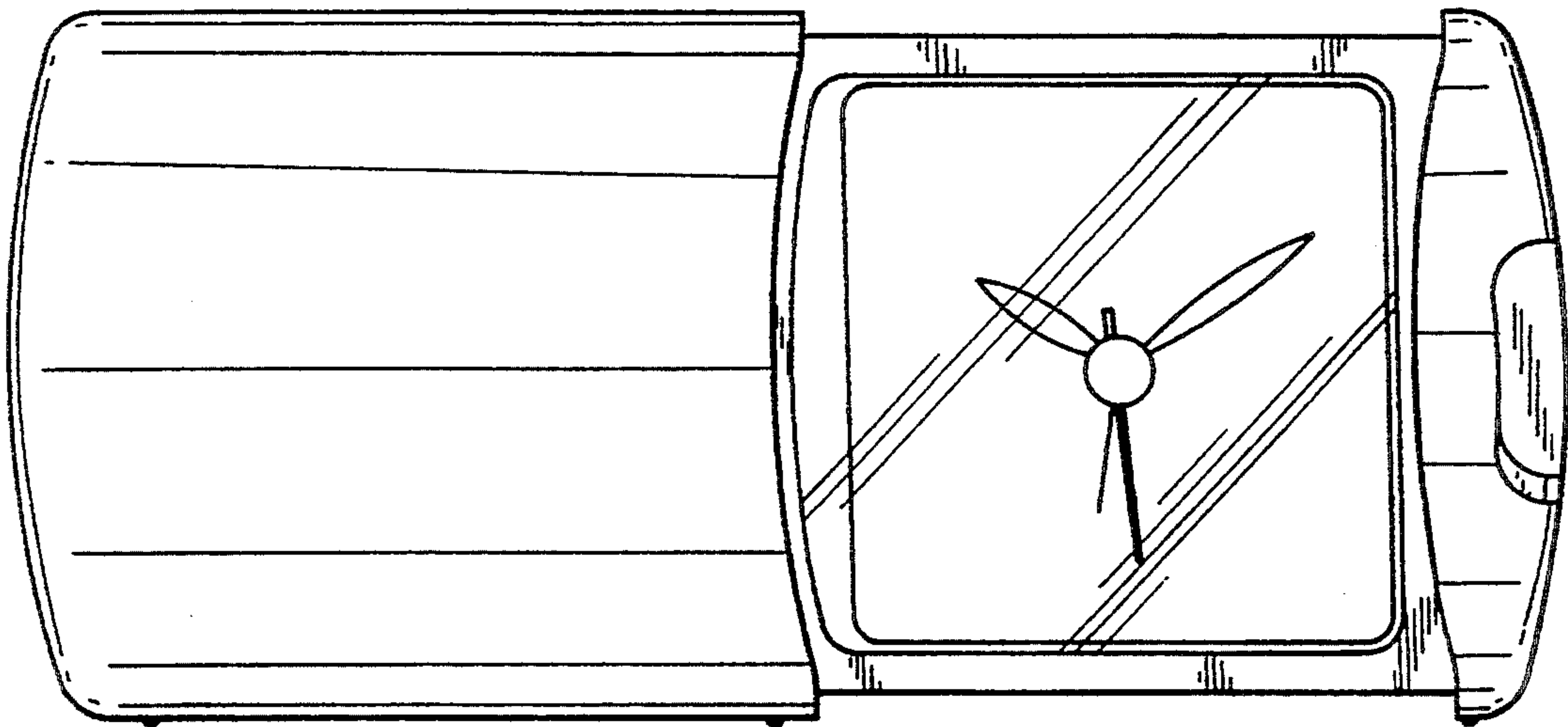


FIG. 2

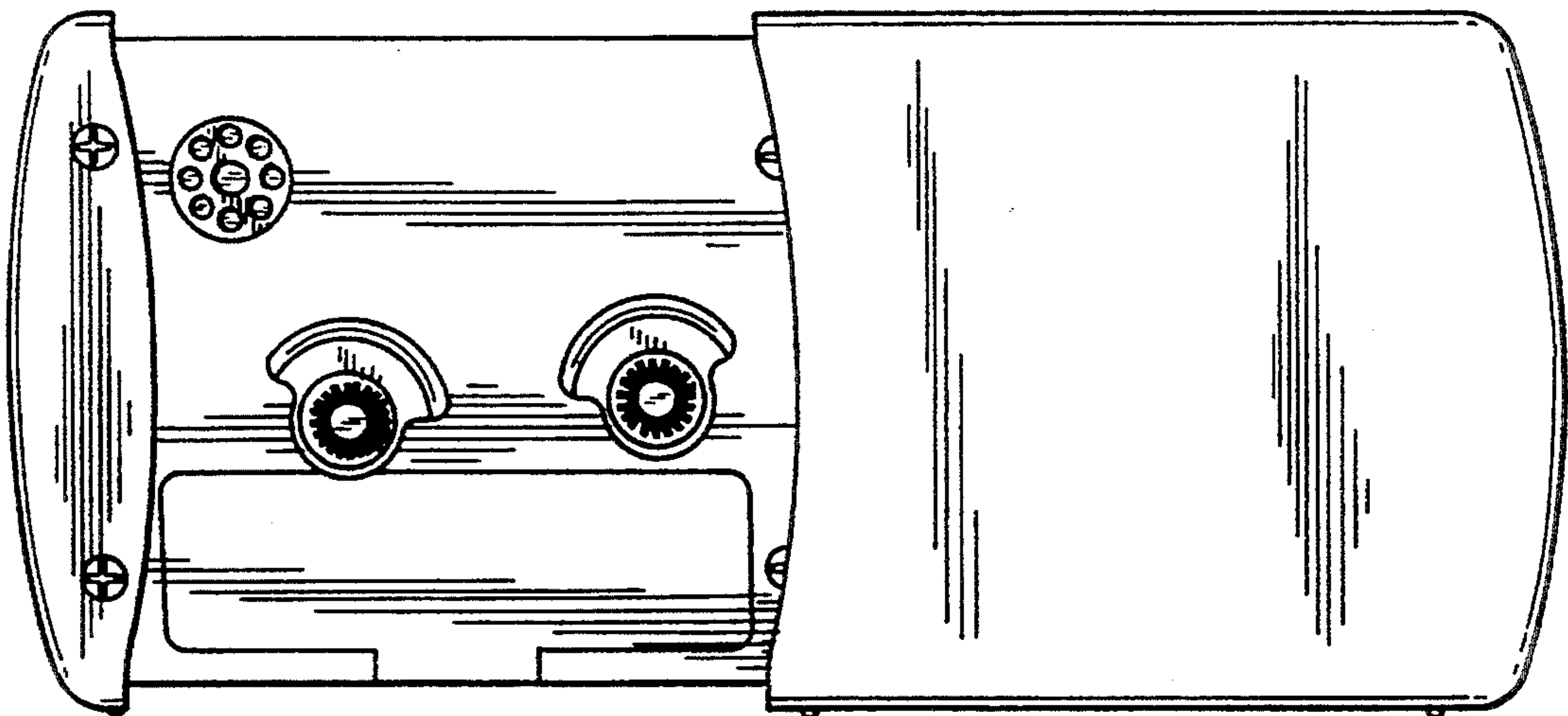


FIG. 3

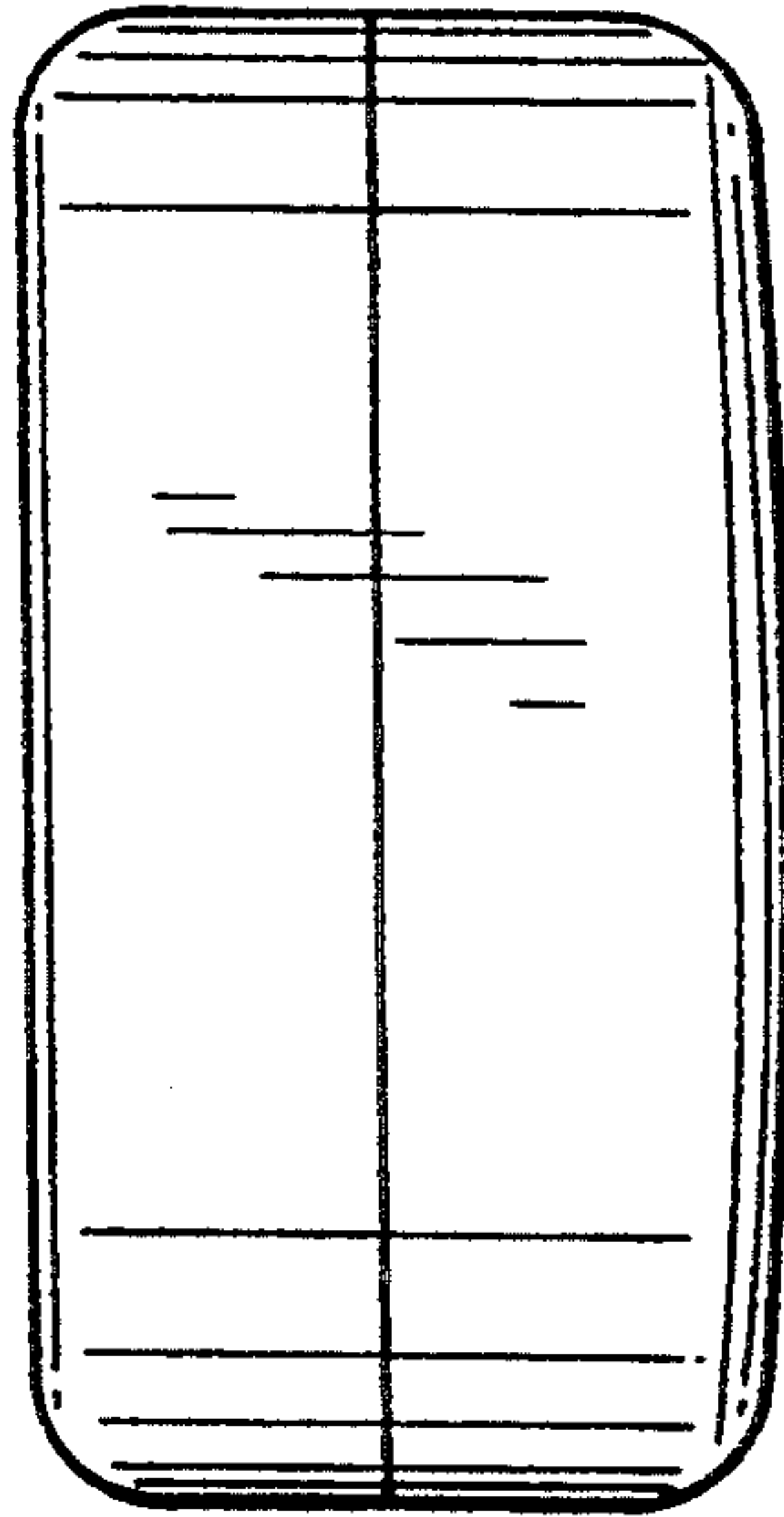


FIG. 4

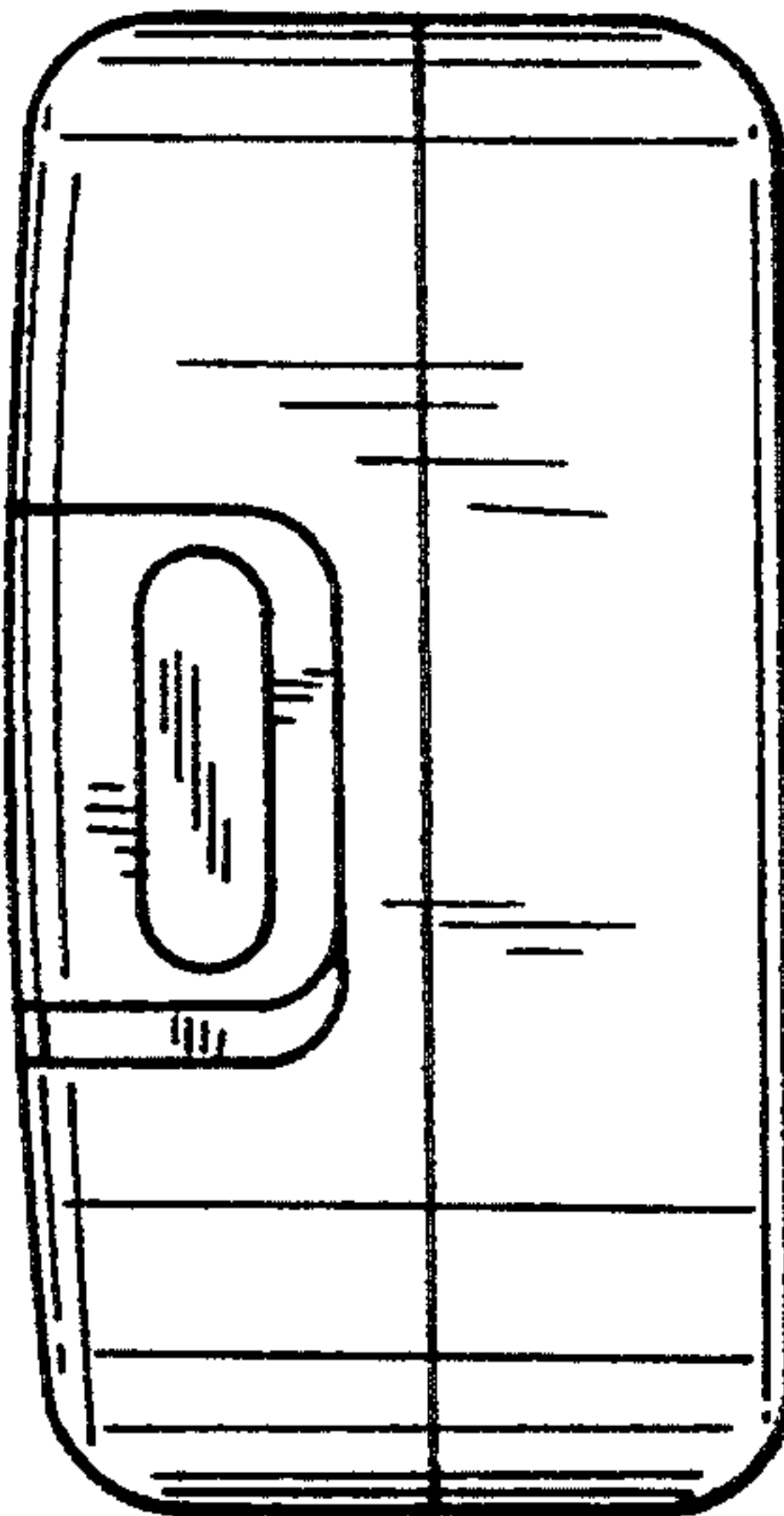


FIG. 5

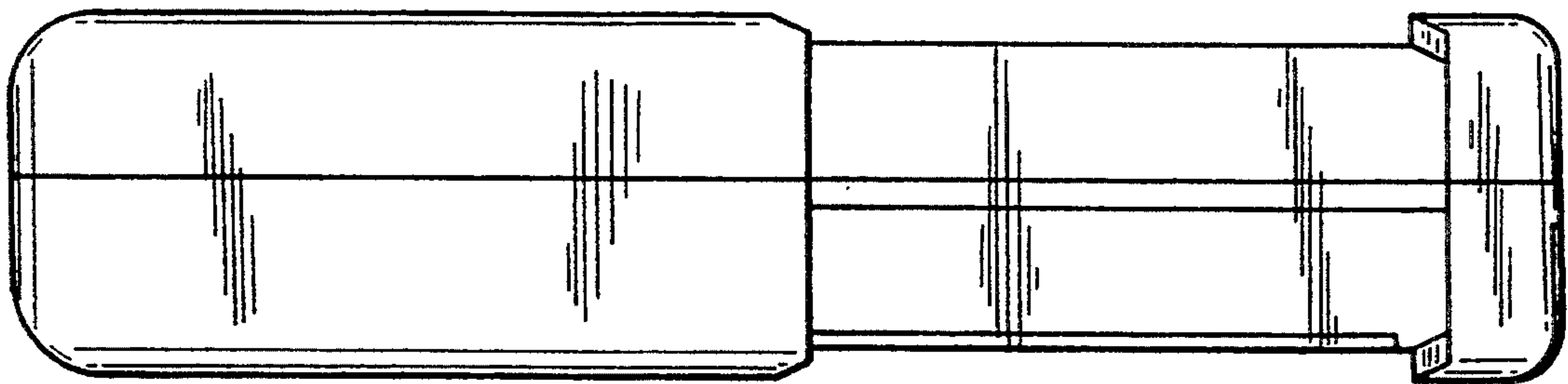


FIG. 6

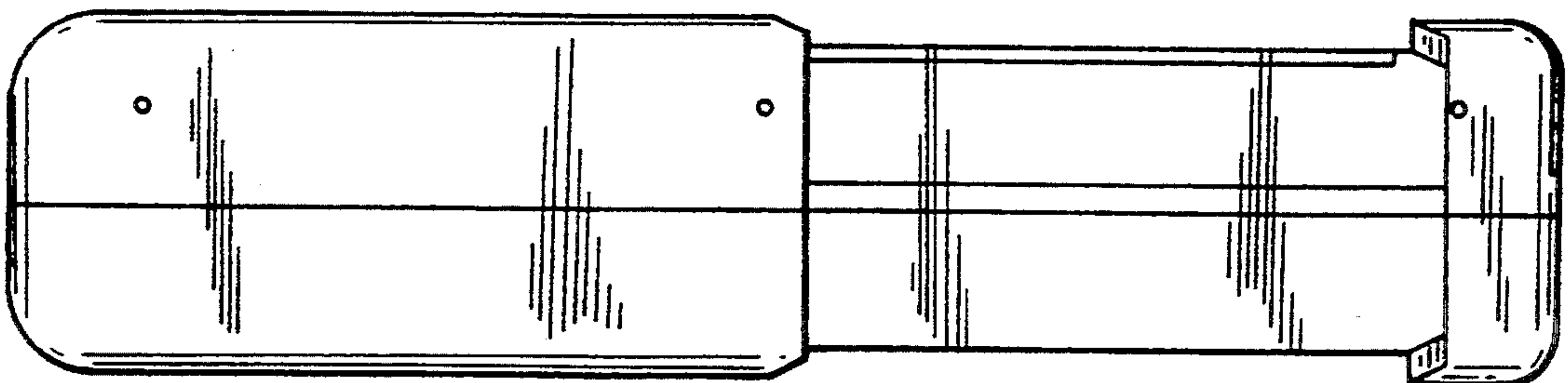


FIG. 7

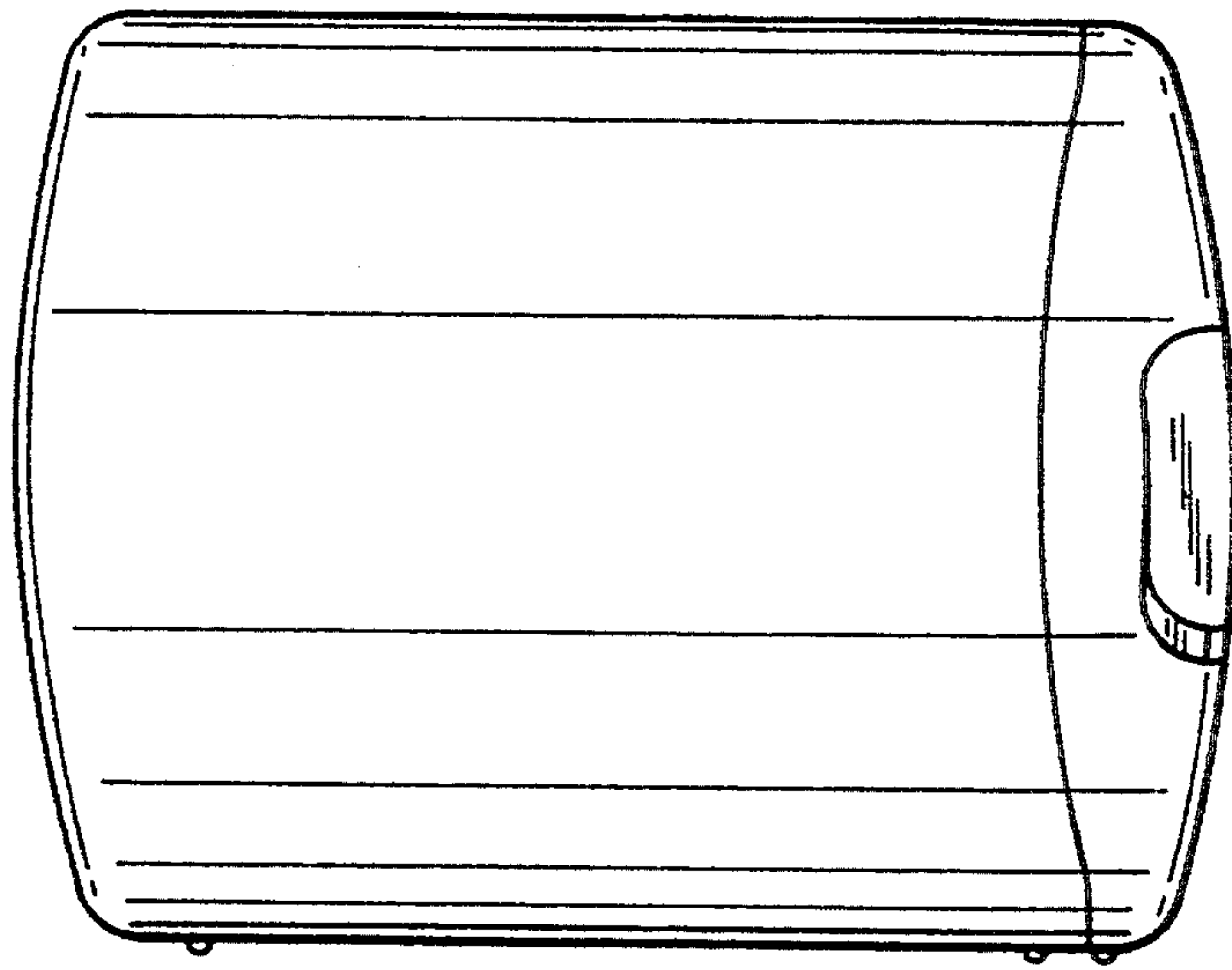


FIG. 8

