



US00D357410S

United States Patent [19]

[11] Patent Number: **Des. 357,410**

Rask et al.

[45] Date of Patent: **** Apr. 18, 1995**

[54] LID FOR A CONTAINER

[75] Inventors: **Janne H. Rask**, Bredsten; **Søren X. Frahm**, Århus, both of Denmark

[73] Assignee: **Interlego AG**, Baar, Switzerland

[**] Term: **14 Years**

[21] Appl. No.: **13,321**

[22] Filed: **Sep. 22, 1993**

[52] U.S. Cl. **D9/435; D21/108**

[58] Field of Search **D9/434, 441, 444, 499; D21/108; 190/1, 110-111; 206/503-504, 508, 518; 211/126; 229/902; 446/128**

[56] References Cited

U.S. PATENT DOCUMENTS

| | | | |
|------------|---------|--------------------|---------|
| D. 279,697 | 7/1985 | Tapdrup | D21/108 |
| D. 326,876 | 6/1992 | Rasmussen | D21/108 |
| D. 327,185 | 6/1992 | Ryaa | D21/108 |
| D. 332,471 | 1/1993 | Rahbek | D21/108 |
| D. 344,552 | 2/1994 | Berggren | D21/108 |
| D. 345,398 | 3/1994 | Plagborg | D21/108 |
| 2,784,901 | 3/1957 | Wilcox | 229/902 |
| 3,005,282 | 10/1961 | Christiansen | 446/128 |
| 4,744,780 | 5/1988 | Volpe | 446/128 |

OTHER PUBLICATIONS

Tyco Preschool Super Blocks ad, Tyco Toy Catalog, 1987, p. 21.

Tyco Road Builder ad, Tyco Toy Catalog, 1987, p. 33.

Primary Examiner—Alan P. Douglas

Assistant Examiner—R. Spear

Attorney, Agent, or Firm—Kane, Dalsimer, Sullivan, Kurucz, Levy, Eisele & Richard

[57] CLAIM

The ornamental design for a lid for a container, as shown and described.

DESCRIPTION

FIG. 1 is a top perspective view of the lid for a container showing our new design;

FIG. 2 is a bottom perspective view thereof;

FIG. 3 is a right side elevational view thereof;

FIG. 4 is a front elevational view thereof;

FIG. 5 is a left side elevational view thereof;

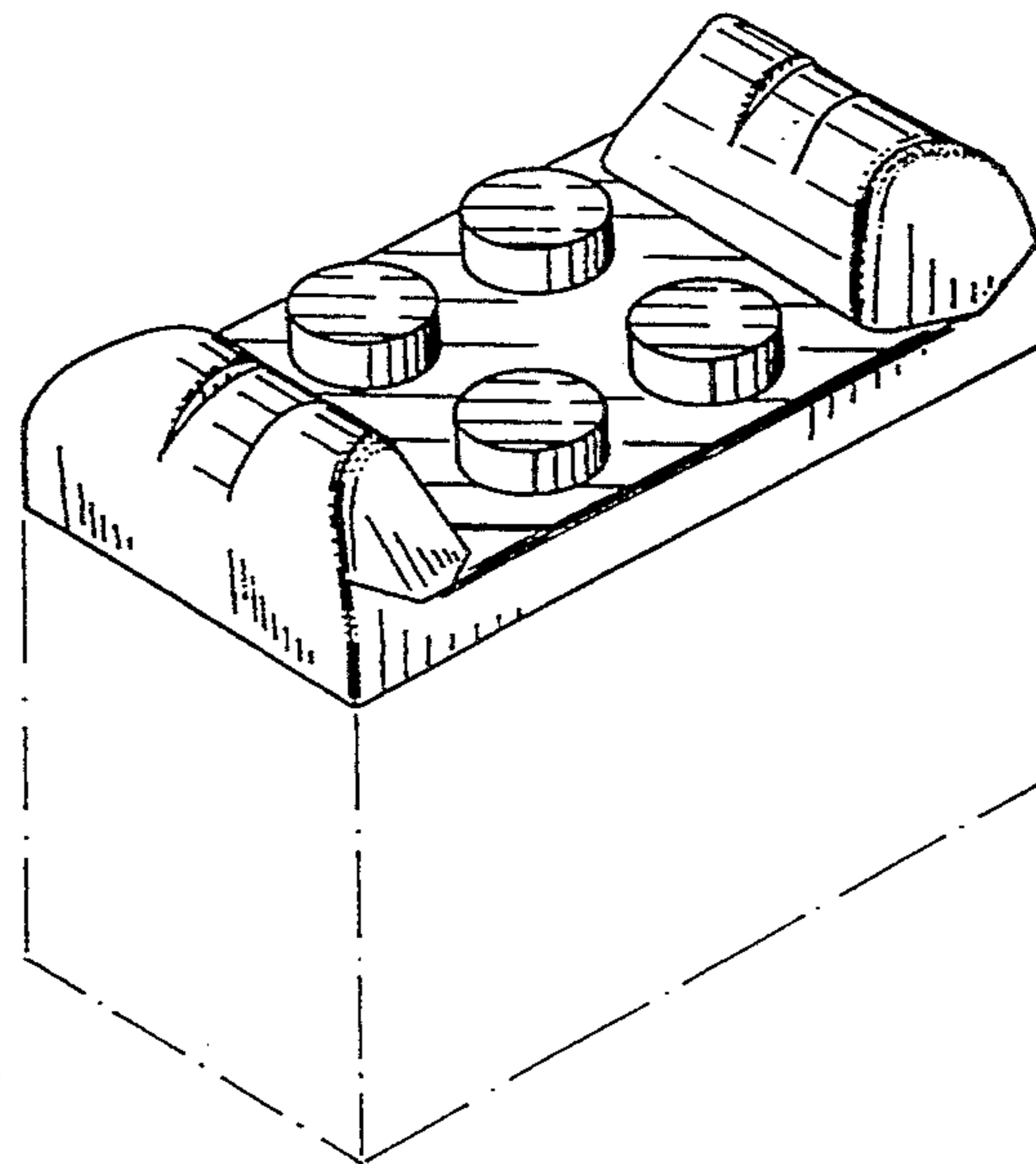
FIG. 6 is a rear elevational view thereof;

FIG. 7 is a top plan view thereof;

FIG. 8 is a bottom plan view thereof; and,

FIG. 9 shows a perspective view of the lid mounted on a container shown in dotted lines.

The broken line showing of a container is for illustrative purposes only and forms no part of the claimed design.



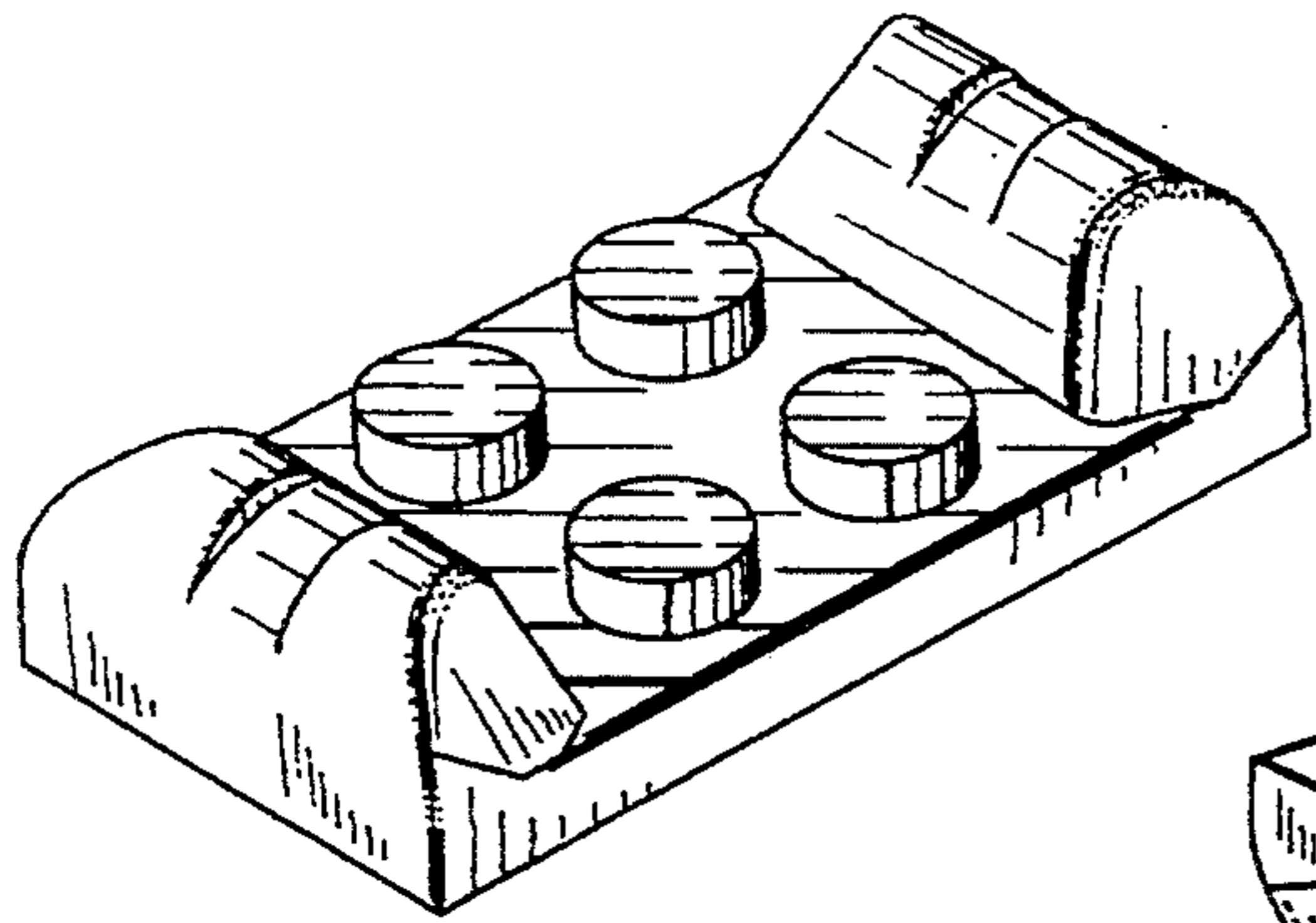


FIG. 1

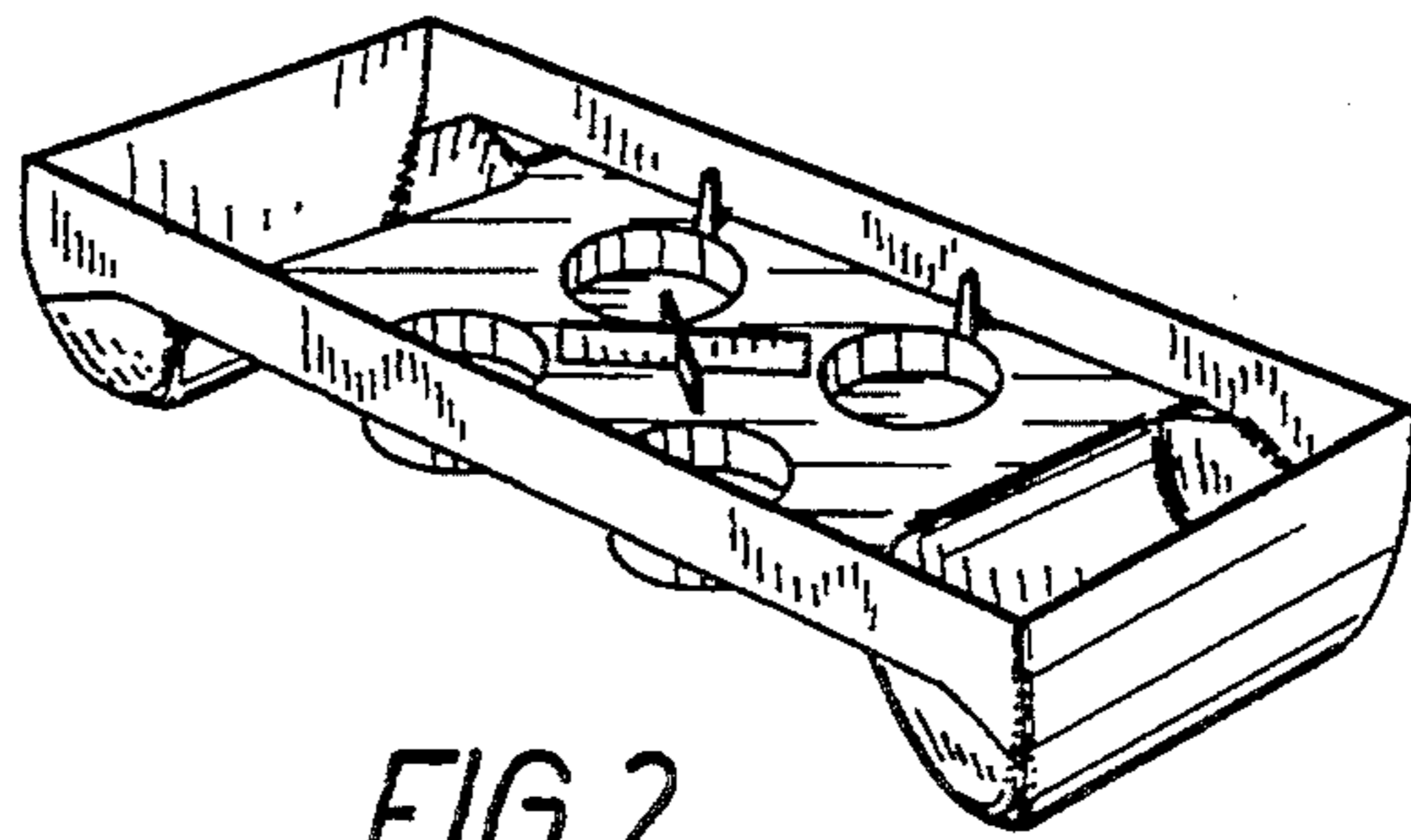


FIG. 2

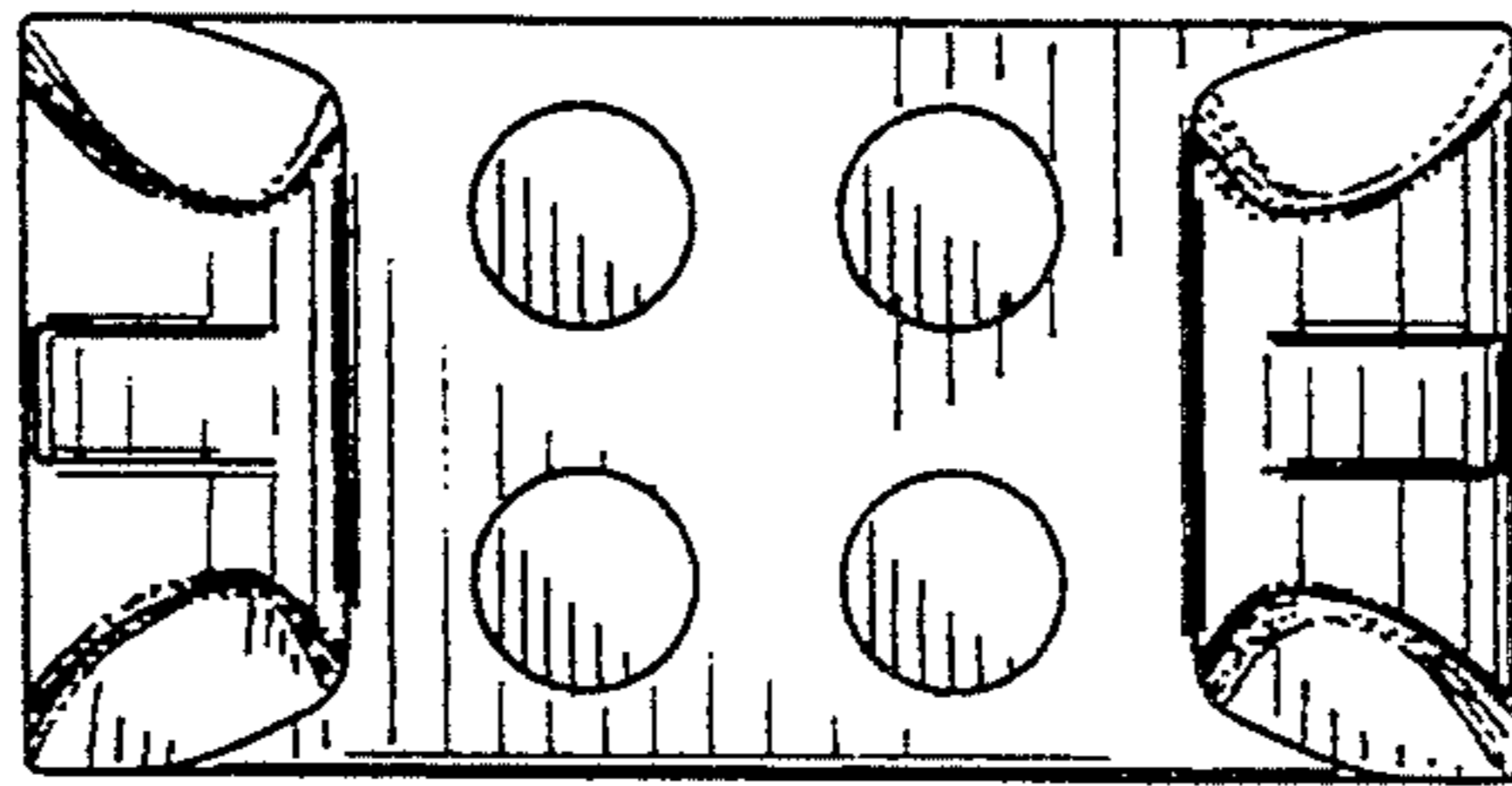


FIG. 7



FIG. 6

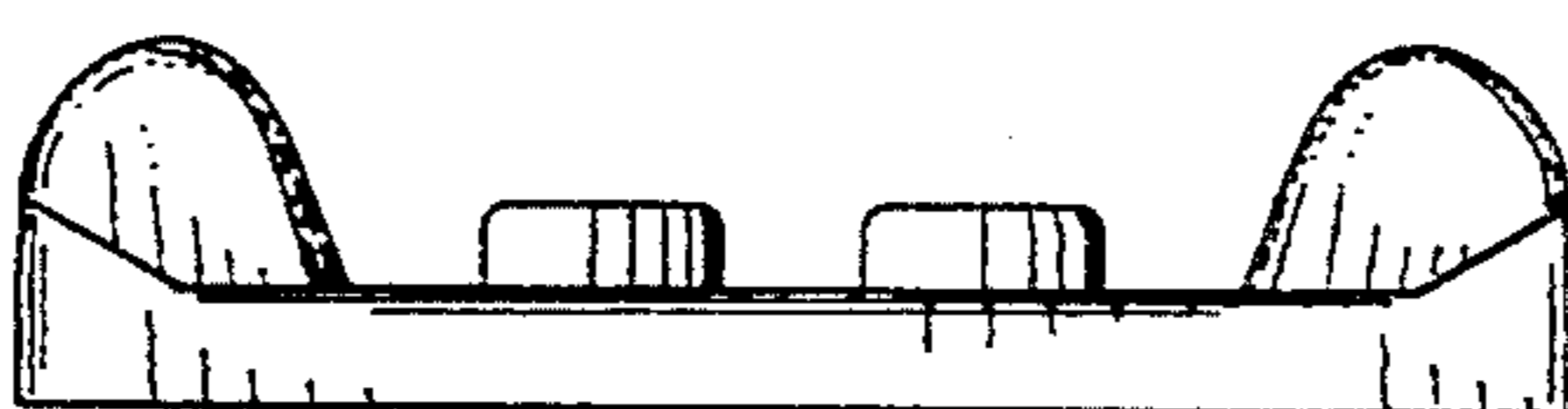


FIG. 5



FIG. 4

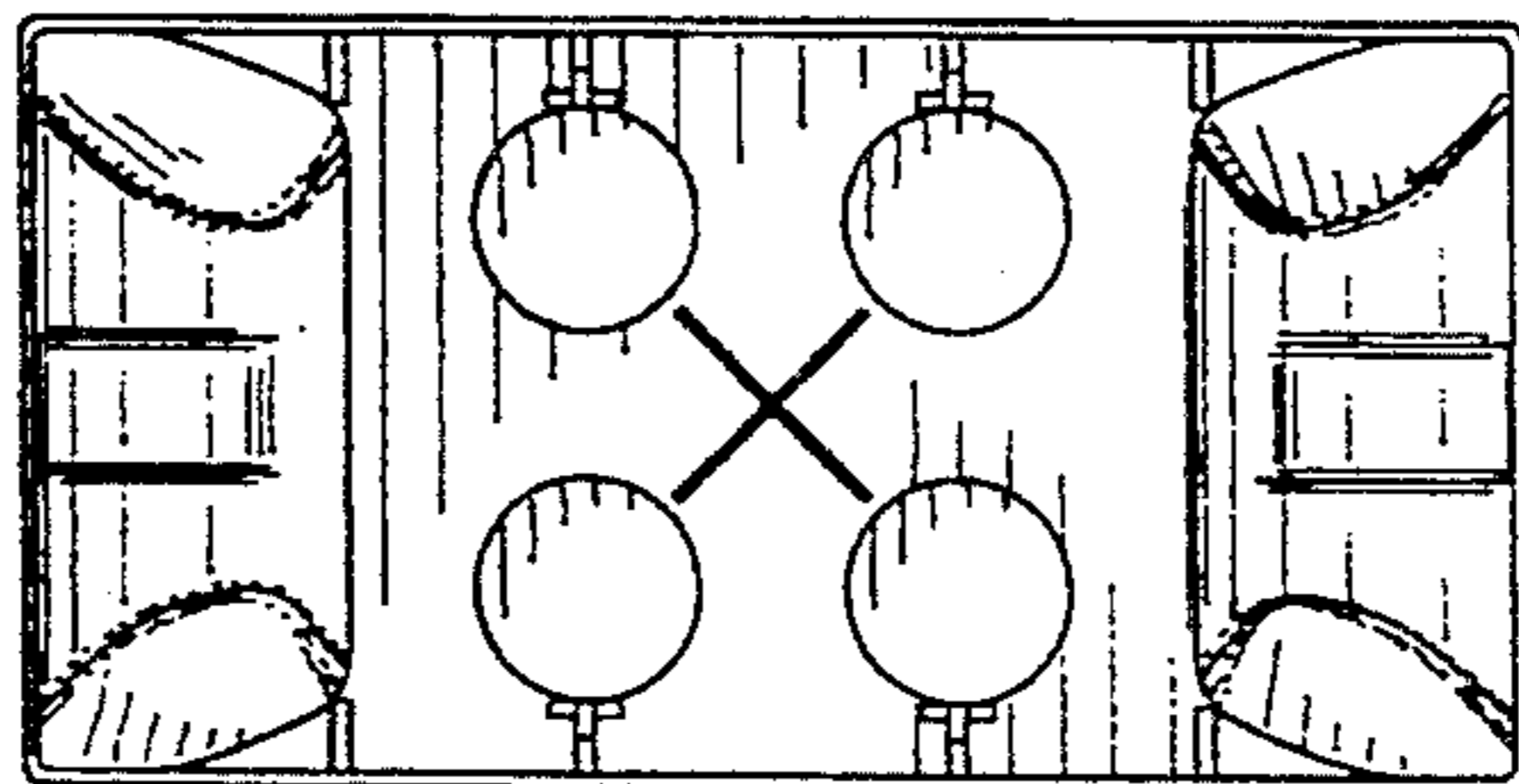


FIG. 8

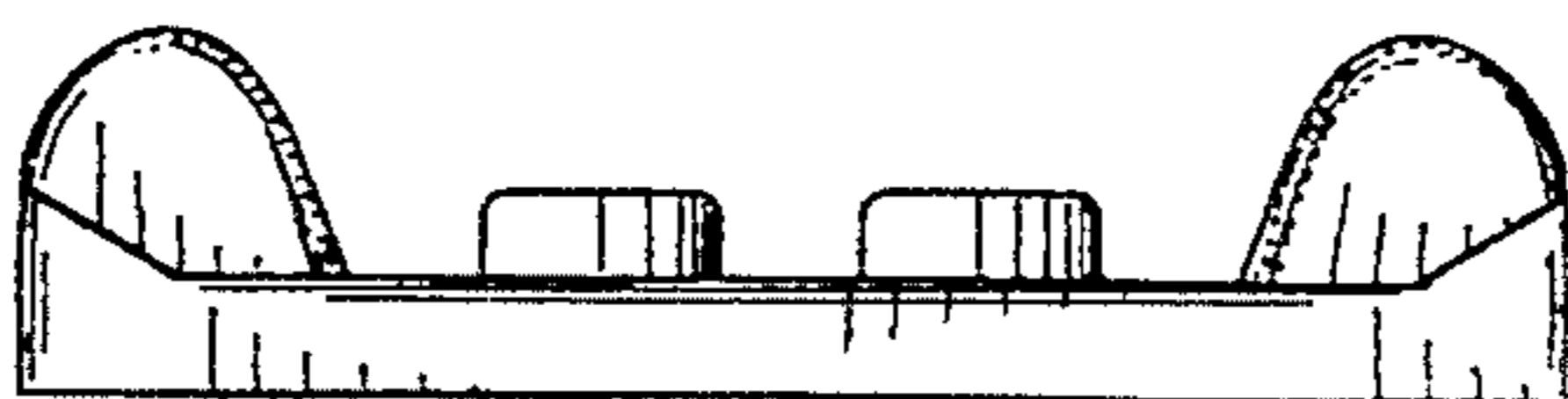


FIG. 3

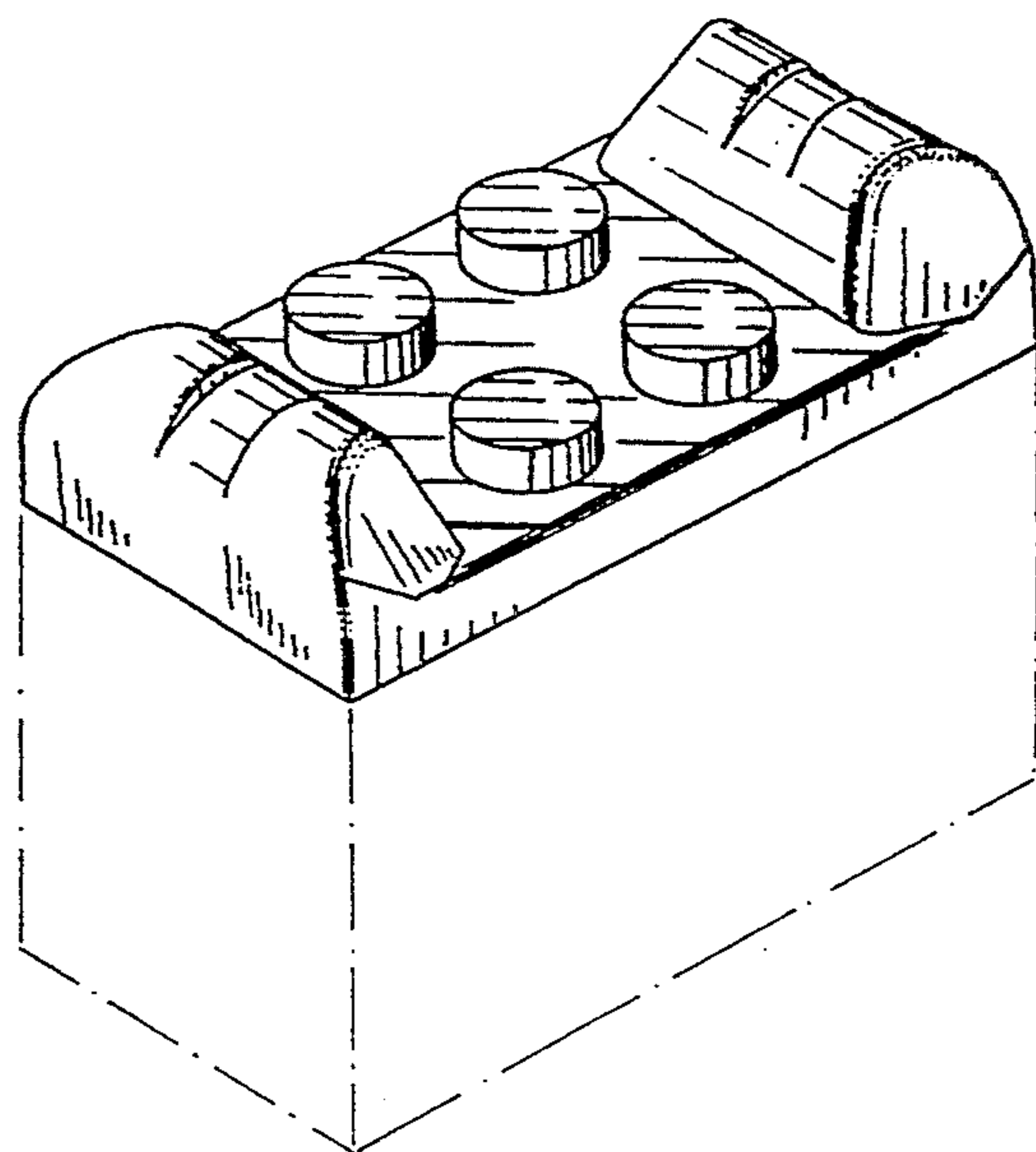


FIG. 9