



US00D357408S

United States Patent [19]

[11] Patent Number: **Des. 357,408**

Silvenis et al.

[45] Date of Patent: **** Apr. 18, 1995**

[54] **TRIGGER SPRAYER**

[75] Inventors: **Scott A. Silvenis**, Midland, Mich.;
John A. Zurcher, Saint Charles, Mo.;
James L. Ghighi, Greenville, S.C.

[73] Assignee: **Dowbrands, Inc.**, Indianapolis, Ind.

[**] Term: **14 Years**

[21] Appl. No.: **11,833**

[22] Filed: **Aug. 16, 1993**

[52] U.S. Cl. **D9/300**

[58] Field of Search **D9/300, 523, 448;**
D23/223-226, 213; 222/383-385, 335, 380,
207; 239/337, 333

[56] **References Cited**

U.S. PATENT DOCUMENTS

- D. 238,655 2/1976 McKinney D9/300
- D. 256,271 8/1980 Tada D23/17
- D. 277,978 3/1985 Bundschuh D23/17

- D. 326,707 6/1992 Silvenis et al. D23/226
- D. 327,222 6/1992 Fuchs D9/435
- 5,335,858 8/1994 Dunning et al. 239/333
- 5,337,921 8/1994 Wilson et al. 222/383 X

Primary Examiner—Theodore M. Shooman

Assistant Examiner—Cheri Cohen

[57] **CLAIM**

The ornamental design for a trigger sprayer, as shown and described.

DESCRIPTION

FIG. 1 is a side elevational view of a trigger sprayer showing our new design, the opposite side being a mirror image;

FIG. 2 is a front elevational view thereof;

FIG. 3 is a rear elevational view thereof;

FIG. 4 is a top plan view thereof; and,

FIG. 5 is a bottom plan view thereof.

The dominant features for the ornamental design are shown in solid lines.

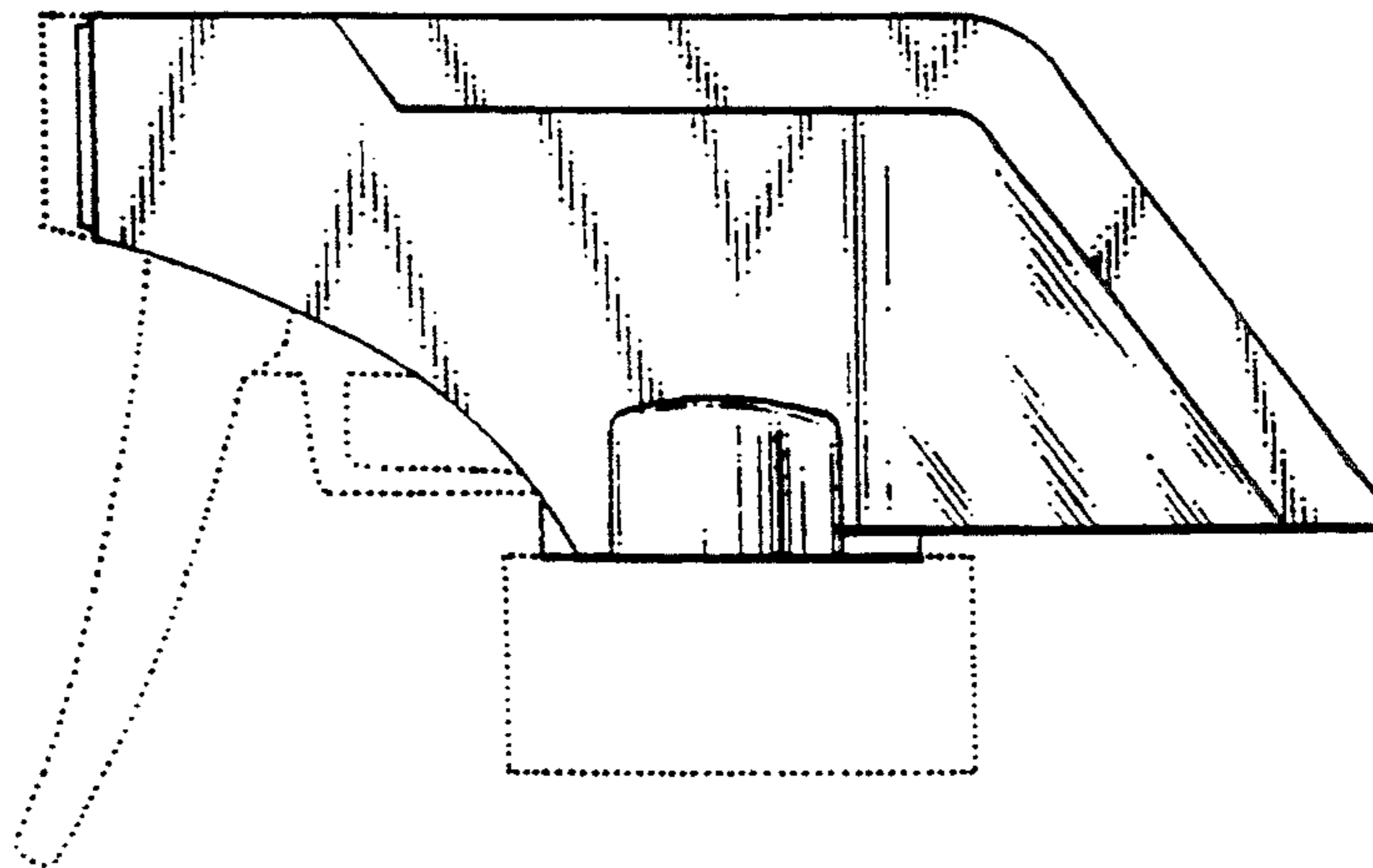


Fig. 4

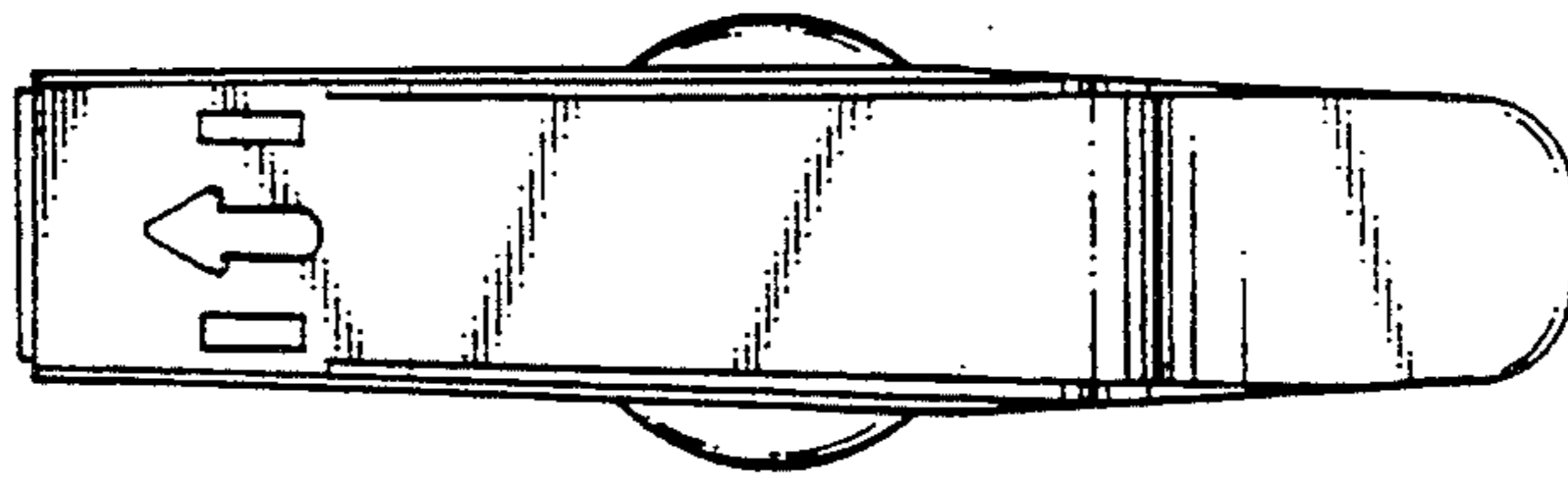


Fig. 2

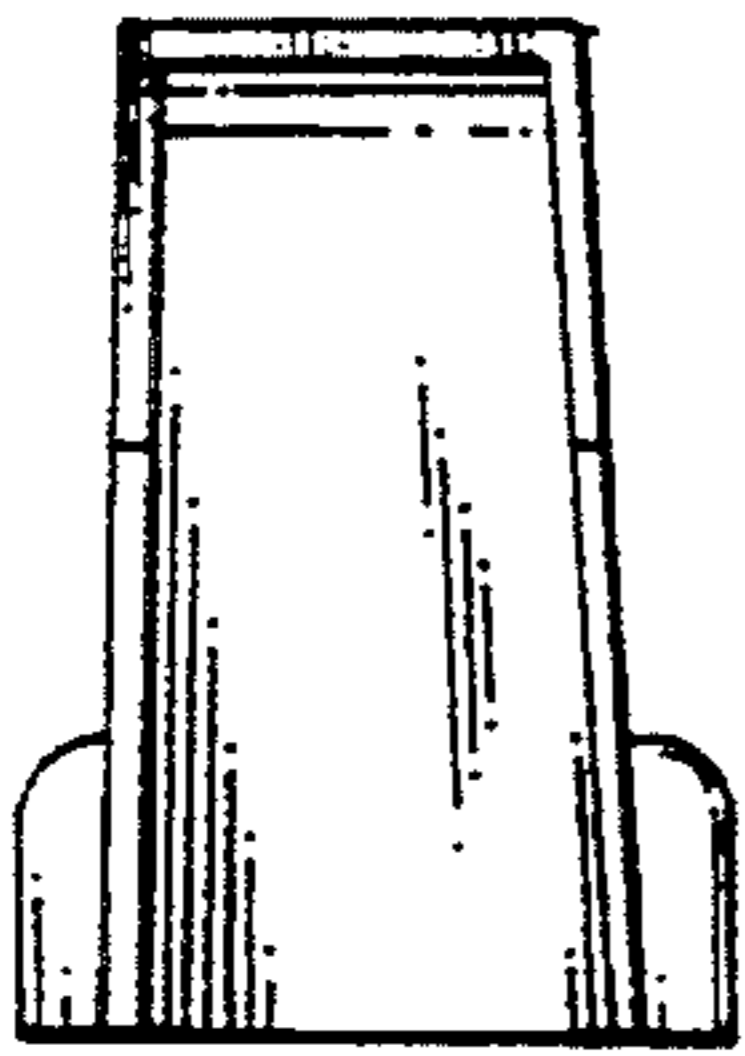


Fig. 1

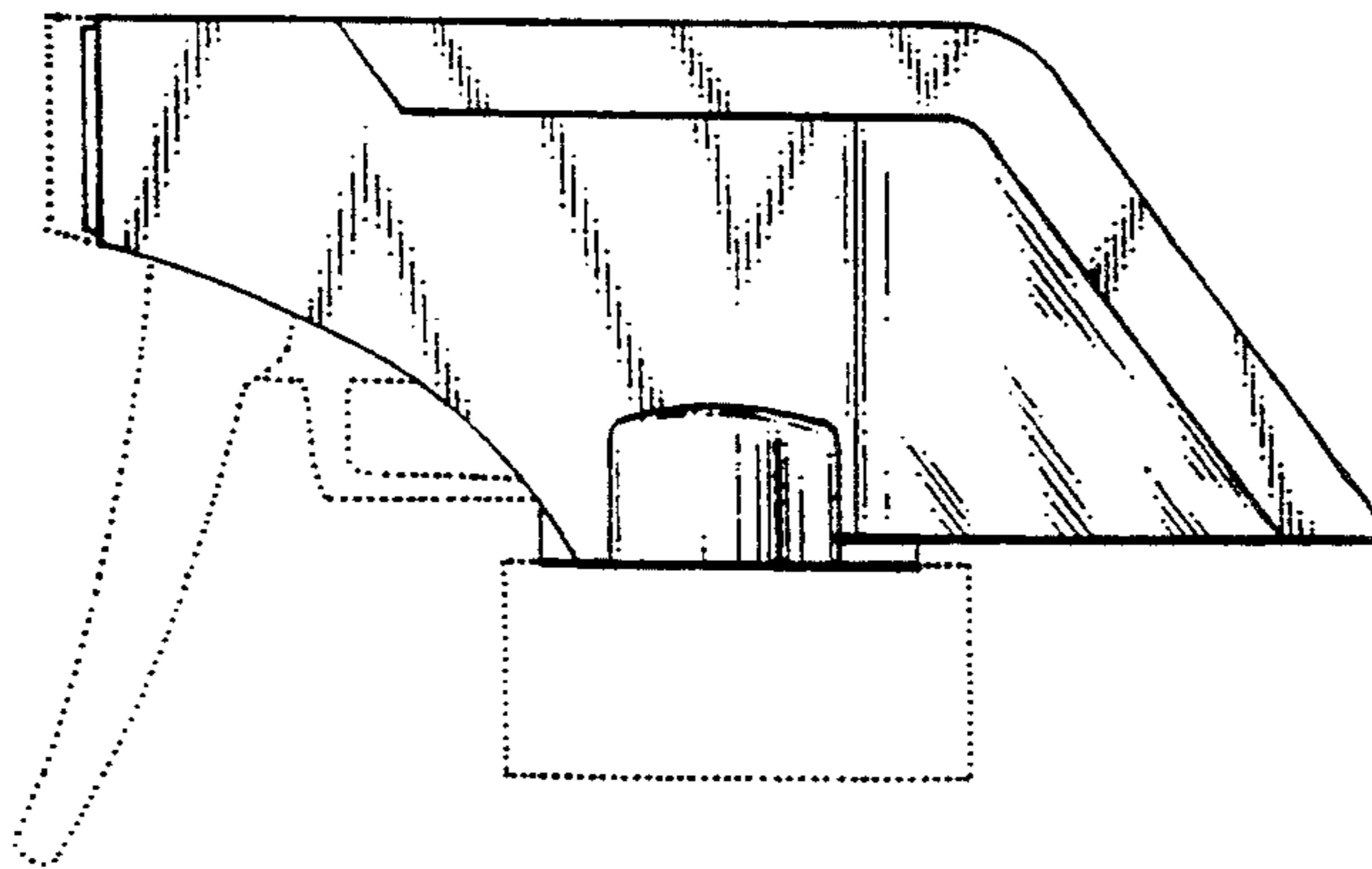


Fig. 3

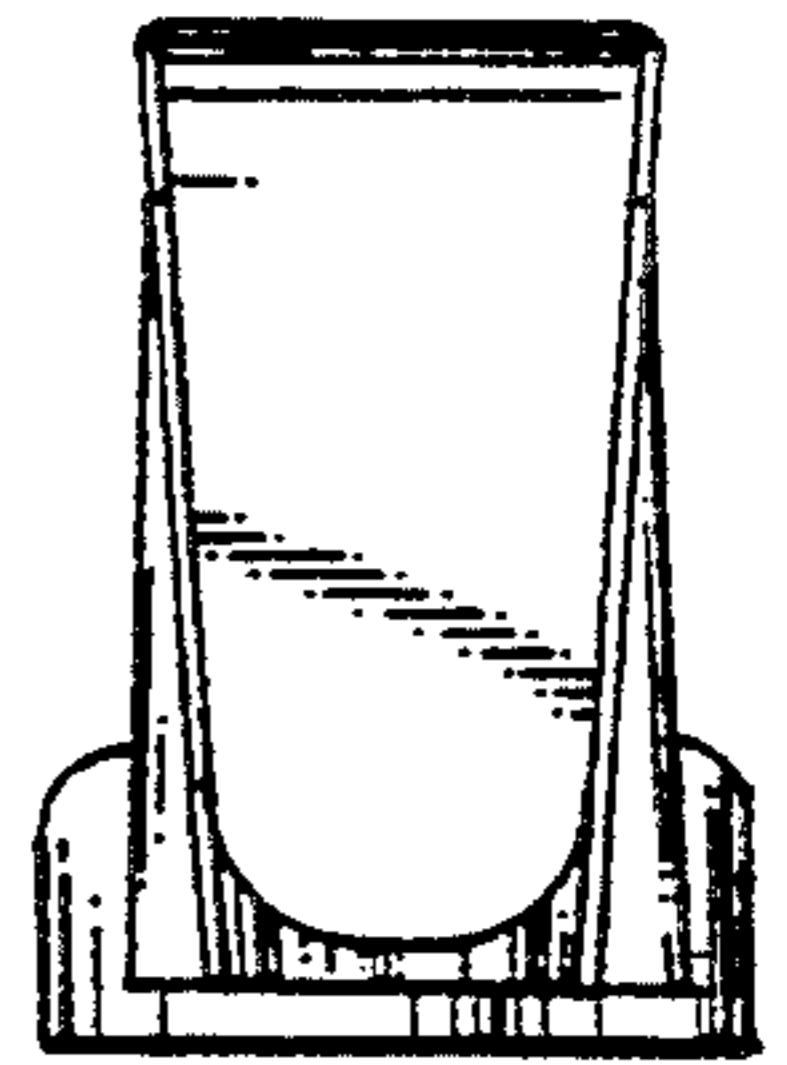


Fig. 5

