



US00D357407S

# United States Patent [19]

[11] Patent Number: **Des. 357,407**

Pate

[45] Date of Patent: **\*\* Apr. 18, 1995**

## [54] SHELF SUPPORT BRACKET

[76] Inventor: **John S. Pate**, 5339 Stonetrace,  
Gainesville, Ga. 30501

[\*\*] Term: **14 Years**

[21] Appl. No.: **11,128**

[22] Filed: **Jul. 27, 1993**

[52] U.S. Cl. .... **D8/381**

[58] Field of Search ..... D8/349, 354, 380, 381,  
D8/382; D25/113-119; 403/402; D6/511;  
248/281.1; 211/88, 90, 126, 134-135, 153

- D. 344,424 2/1994 Pate .
- D. 345,268 3/1994 Pate .
- 887,882 5/1908 Waugh .
- 2,915,193 12/1959 Bromberg .
- 3,101,681 8/1963 Streater .
- 3,135,388 6/1964 Lang .
- 3,863,575 2/1975 Kuns et al. .
- 4,825,529 5/1989 Sawanda et al. .... D8/382 X

*Primary Examiner*—James M. Gandy  
*Assistant Examiner*—H. Baynham  
*Attorney, Agent, or Firm*—Jones & Askew

## [57] CLAIM

The ornamental design for a shelf support bracket, as shown and described.

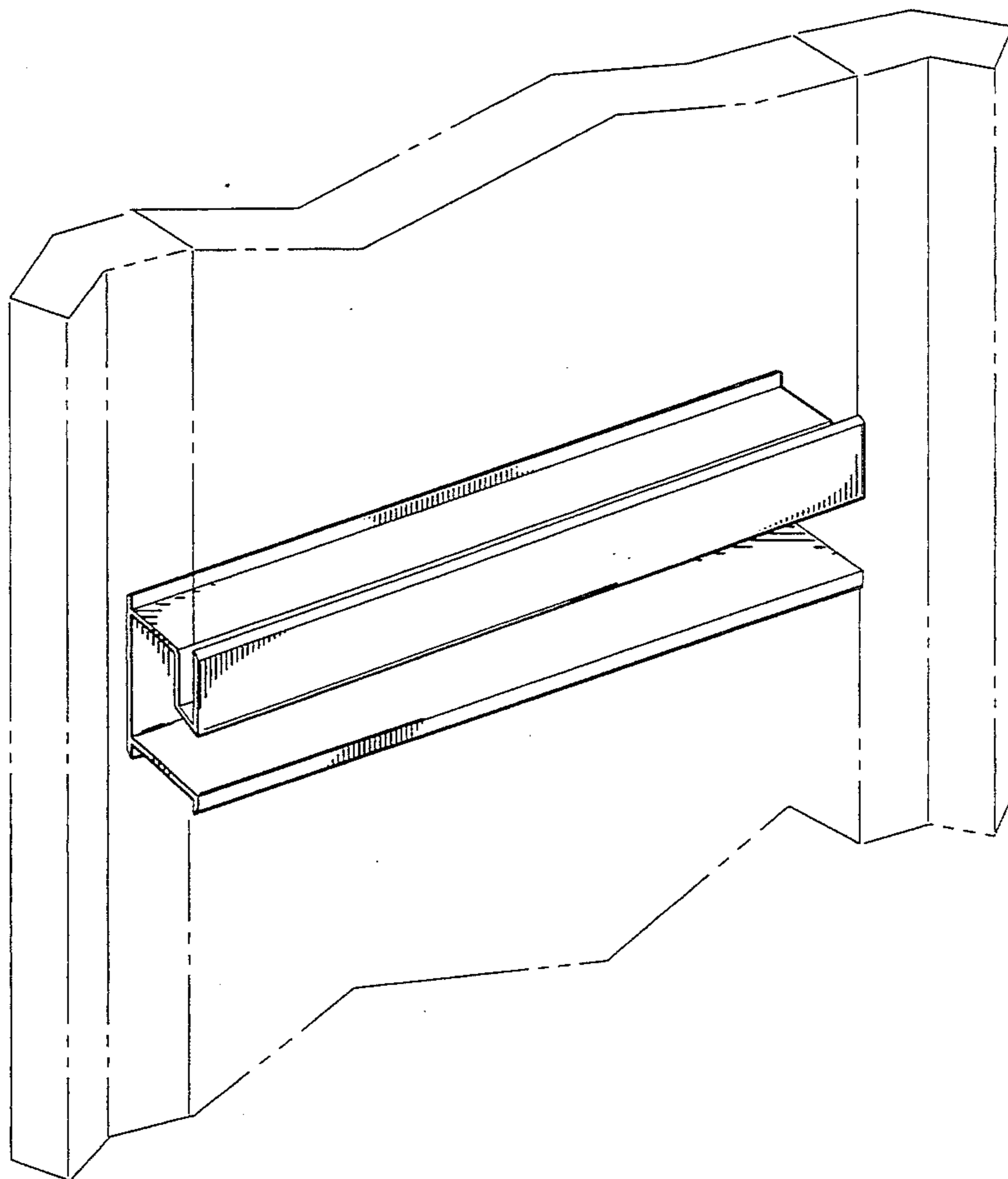
## [56] References Cited

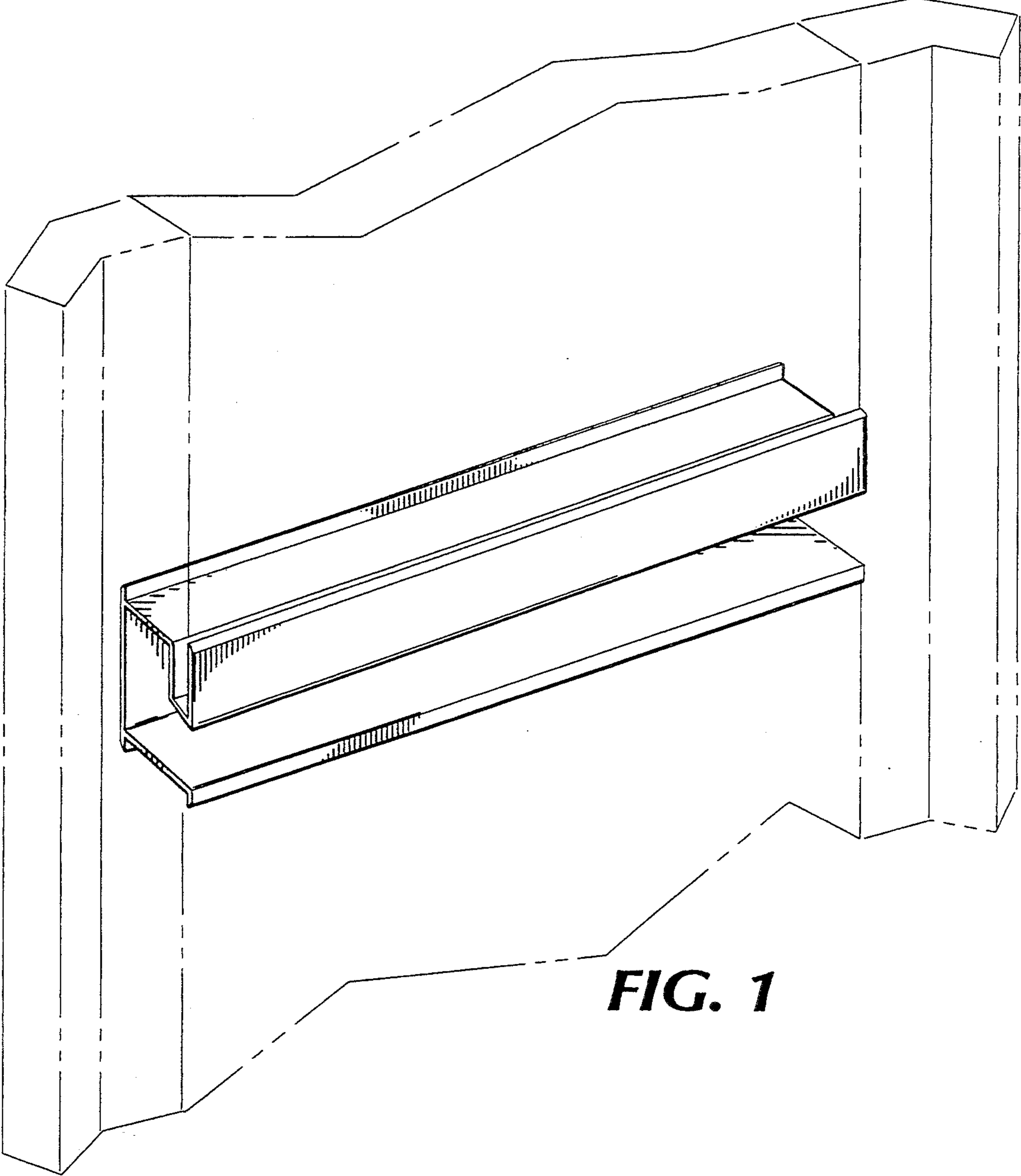
### U.S. PATENT DOCUMENTS

- D. 198,471 6/1964 Rankin, Jr. .... D8/381
- D. 200,583 3/1965 Schaefer et al. .
- D. 201,808 8/1965 Yamasaki et al. .
- D. 217,115 4/1970 Chap ..... D8/382
- D. 239,231 3/1976 Cockcroft et al. .
- D. 239,232 3/1976 Cockcroft et al. .
- D. 244,499 5/1977 Parfitt .
- D. 257,797 1/1981 Aprahamian .
- D. 299,194 1/1989 Pate .
- D. 306,670 3/1990 Pfleuger et al. .
- D. 311,657 10/1990 Pate .
- D. 344,423 2/1994 Pate .

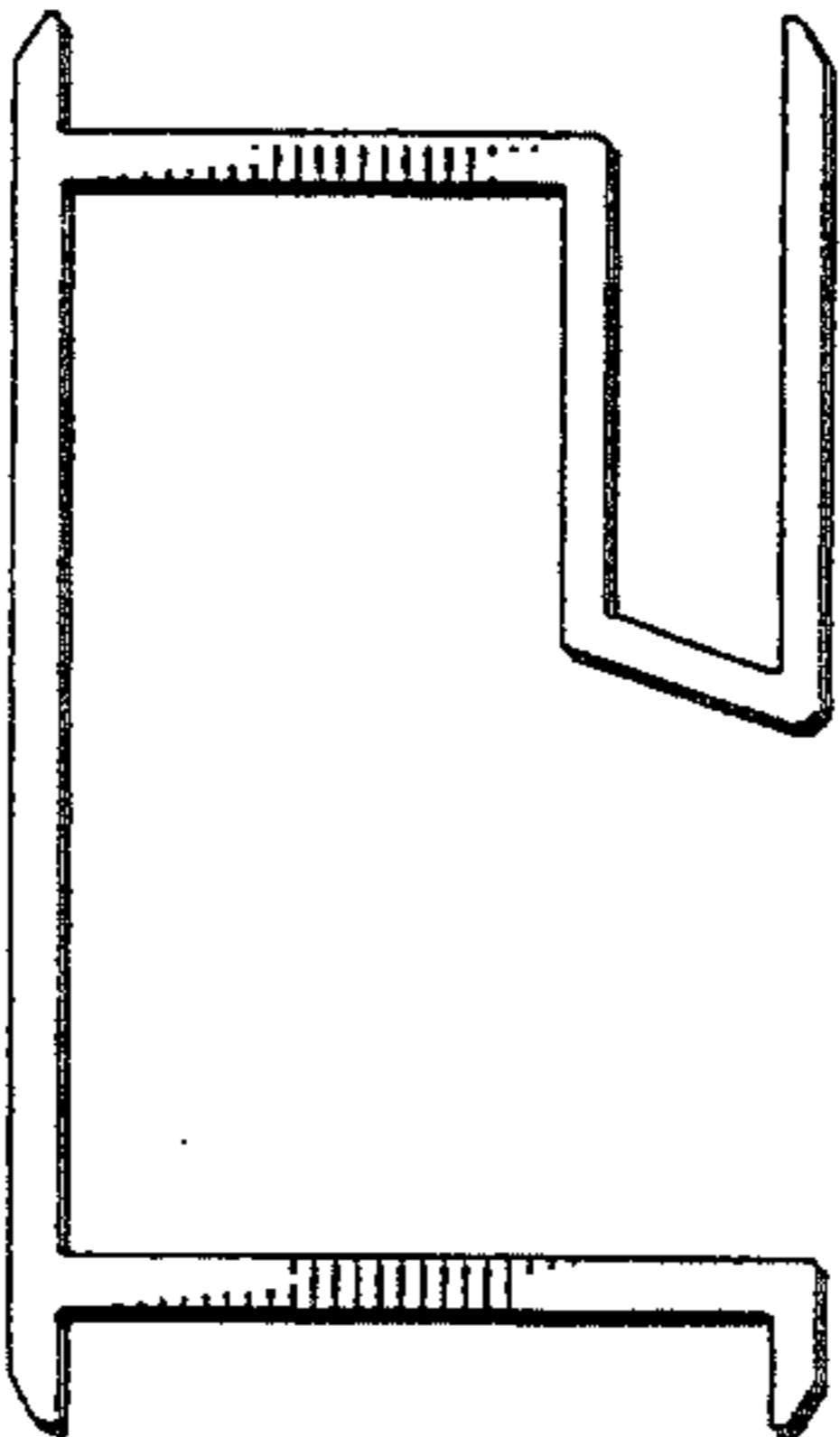
### DESCRIPTION

FIG. 1 is a perspective view of the bracket, viewed from a right, front, above perspective;  
FIG. 2 is an enlarged left side elevational view with the opposite side being a mirror image;  
FIG. 3 is an enlarged front plan view;  
FIG. 4 is an enlarged rear plan view;  
FIG. 5 is an enlarged top plan view; and,  
FIG. 6 is an enlarged bottom plan view.  
The broken line showing of a partial structure is for illustrative purposes only and forms no part of the claimed design.



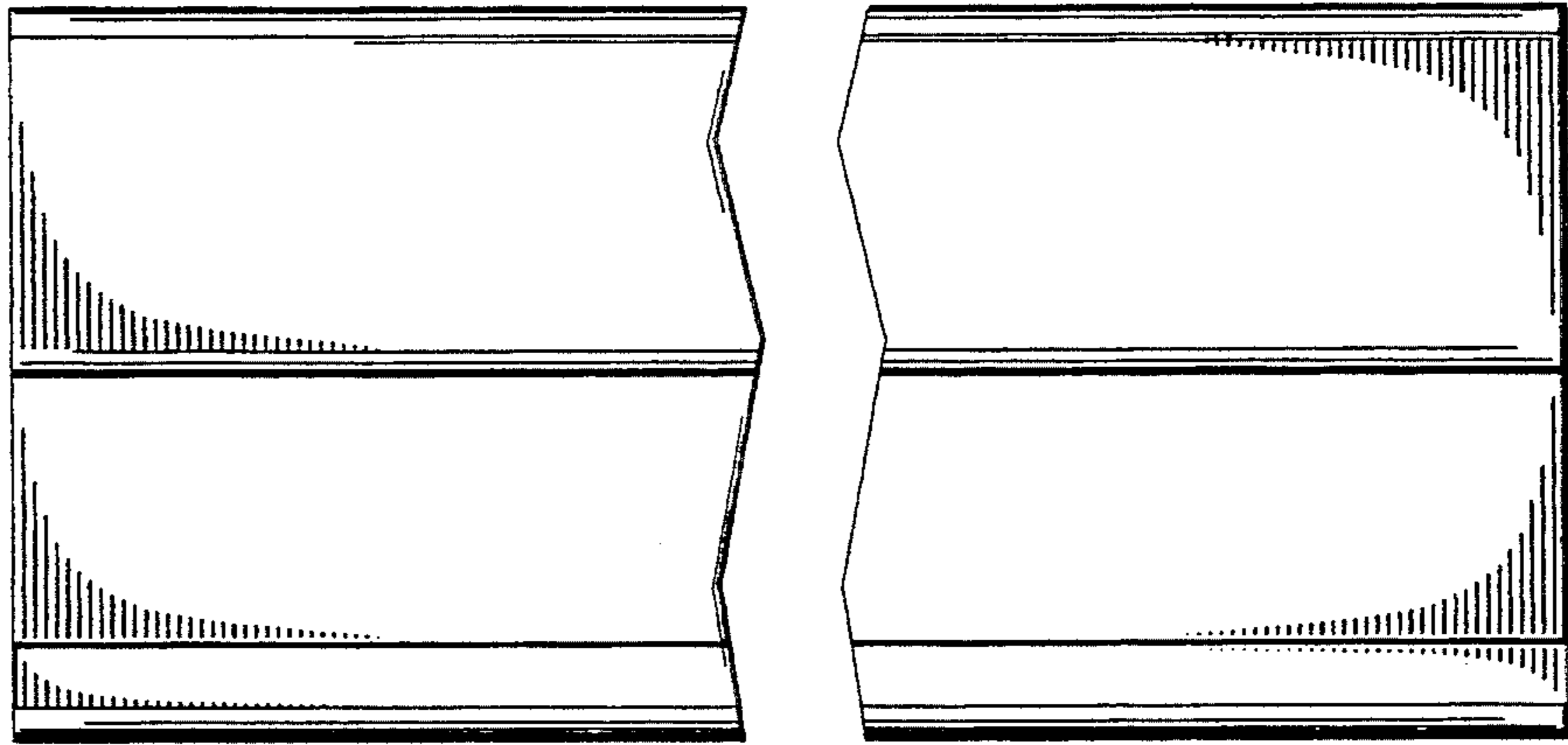


**FIG. 1**

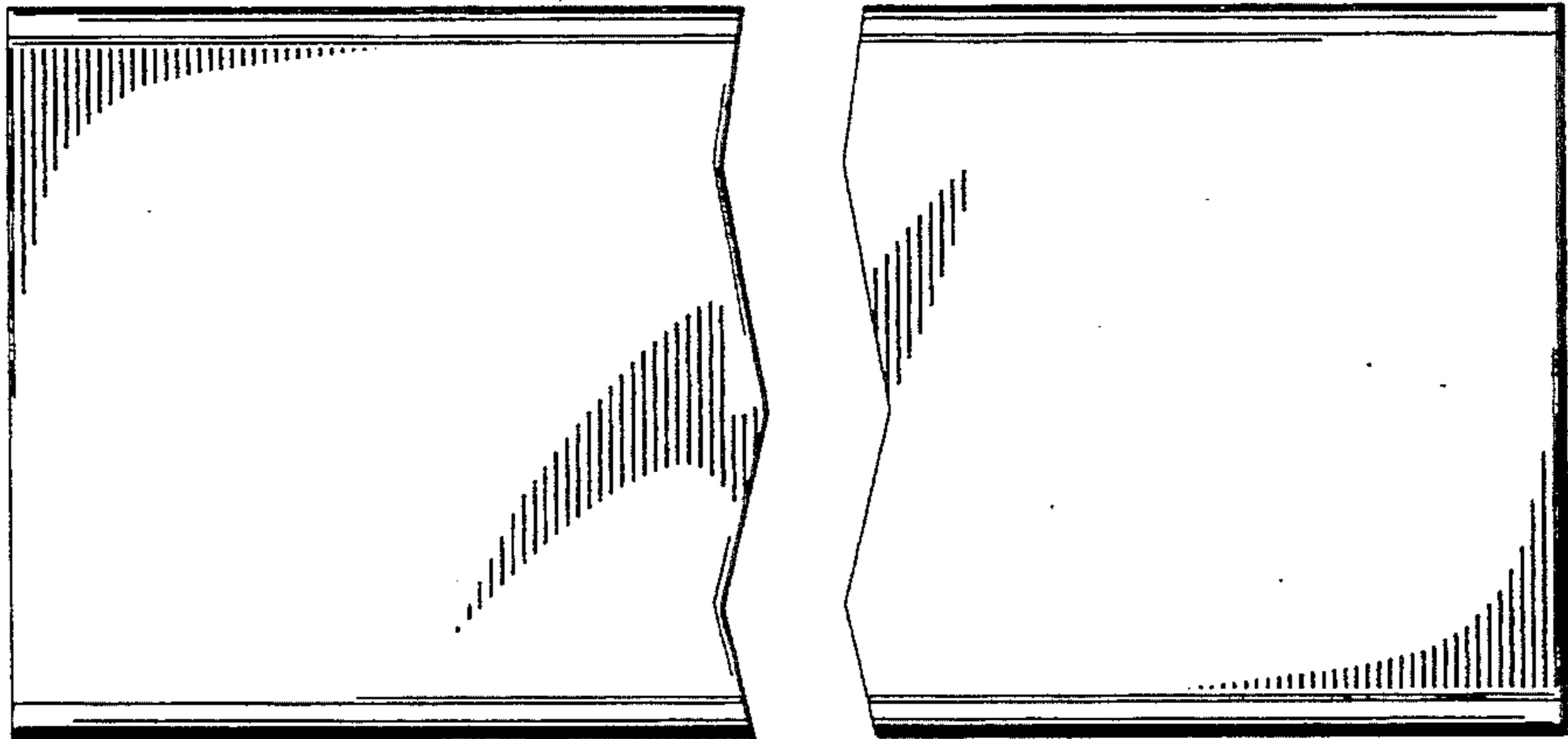


**FIG. 2**

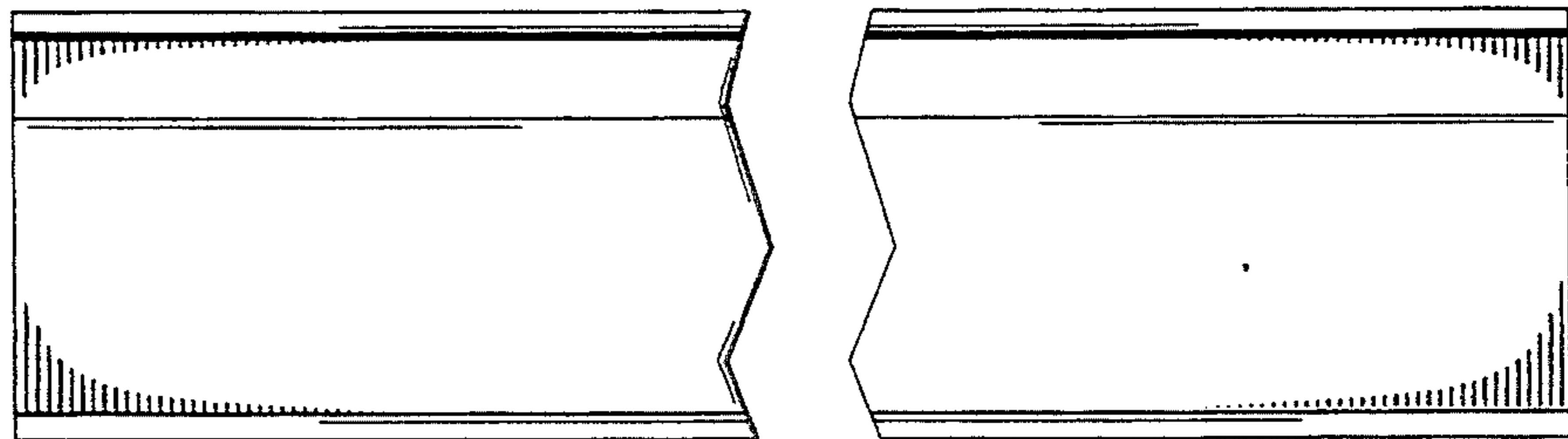
**FIG. 3**



**FIG. 4**



**FIG. 5**



**FIG. 6**

