



US00D357406S

United States Patent [19]

[11] Patent Number: **Des. 357,406**

Whitaker

[45] Date of Patent: **** Apr. 18, 1995**

[54] **SUPPORT BRACKET**

[76] Inventor: **Richard J. Whitaker**, Church Road, St. Sampsons, Guernsay, Channel Islands

[**] Term: **14 Years**

[21] Appl. No.: **11,297**

[22] Filed: **Jul. 30, 1993**

[30] **Foreign Application Priority Data**

Jan. 30, 1993 [GB] United Kingdom 2028801

[52] U.S. Cl. **D8/380**

[58] Field of Search D6/429; D8/380, 363, D8/355, 381; 248/310, 670, 284, 280.1, 281.1, 183, 185, 346, 291.1

[56] **References Cited**

U.S. PATENT DOCUMENTS

- D. 269,945 9/1983 Carney D8/355
- D. 273,044 3/1984 Holcomb D8/355 X
- D. 311,130 10/1990 Whitaker D8/381
- D. 314,505 2/1991 Chen D8/380

- D. 325,868 5/1992 Bartok D8/380
- D. 337,333 7/1993 Turk D8/355 X
- D. 337,719 7/1993 Burns D8/363
- 4,768,744 9/1988 Leeds et al. 248/280.1
- 4,872,630 10/1989 Cooper 248/278
- 5,000,608 3/1991 Schmidt 248/284 X
- 5,033,707 7/1991 Sträter et al. 248/284

Primary Examiner—Wallace R. Burke
Assistant Examiner—H. Baynham
Attorney, Agent, or Firm—Rudnick & Wolfe

[57] **CLAIM**

The ornamental design for a support bracket, as shown and described.

DESCRIPTION

FIG. 1 is a front elevational view of a support bracket showing my new design;
FIG. 2 is a top plan view thereof;
FIG. 3 is a bottom plan view thereof;
FIG. 4 is a right side elevational view thereof;
FIG. 5 is a left side elevational view thereof; and,
FIG. 6 is a perspective view of the support bracket of the present invention.

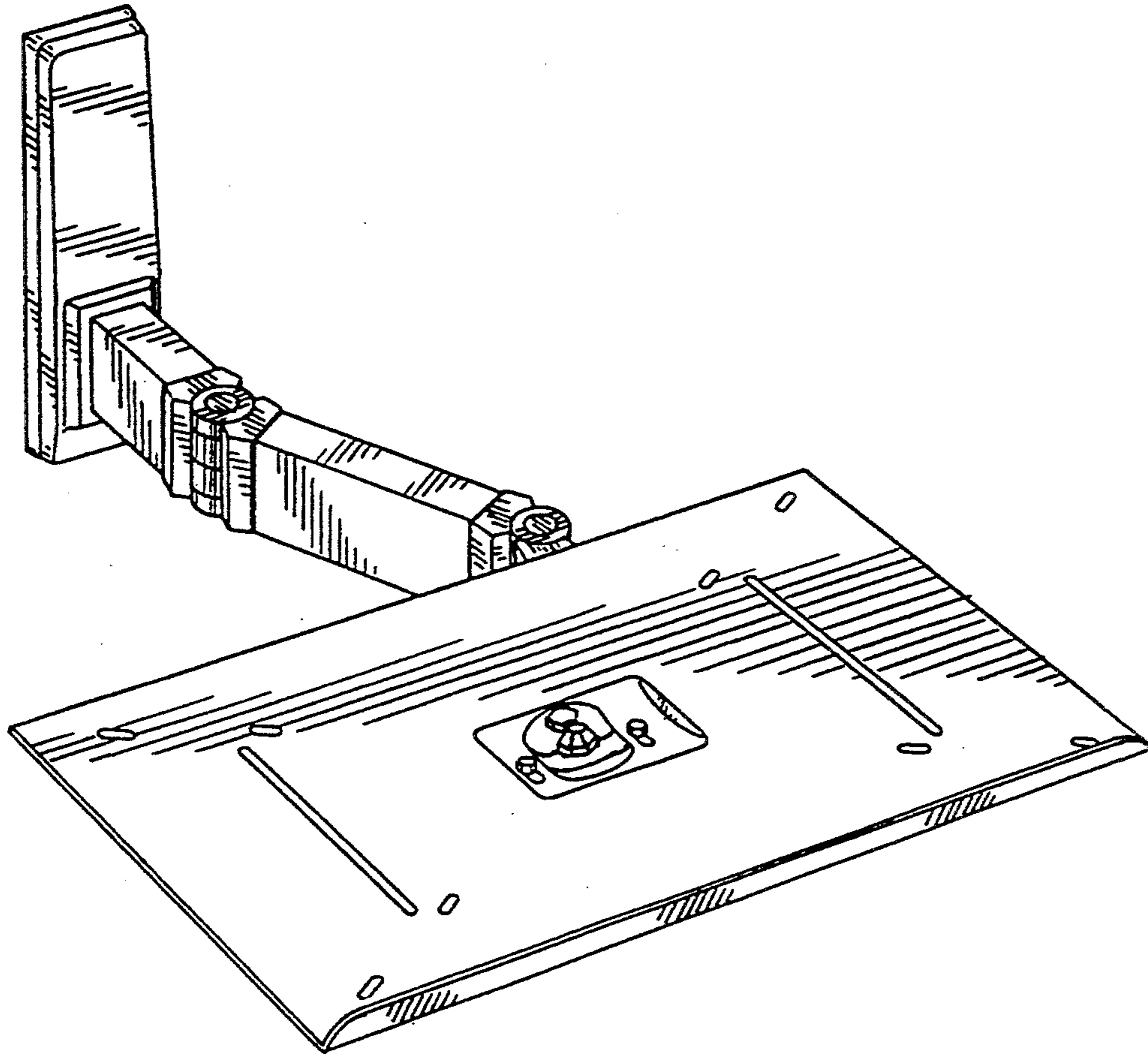
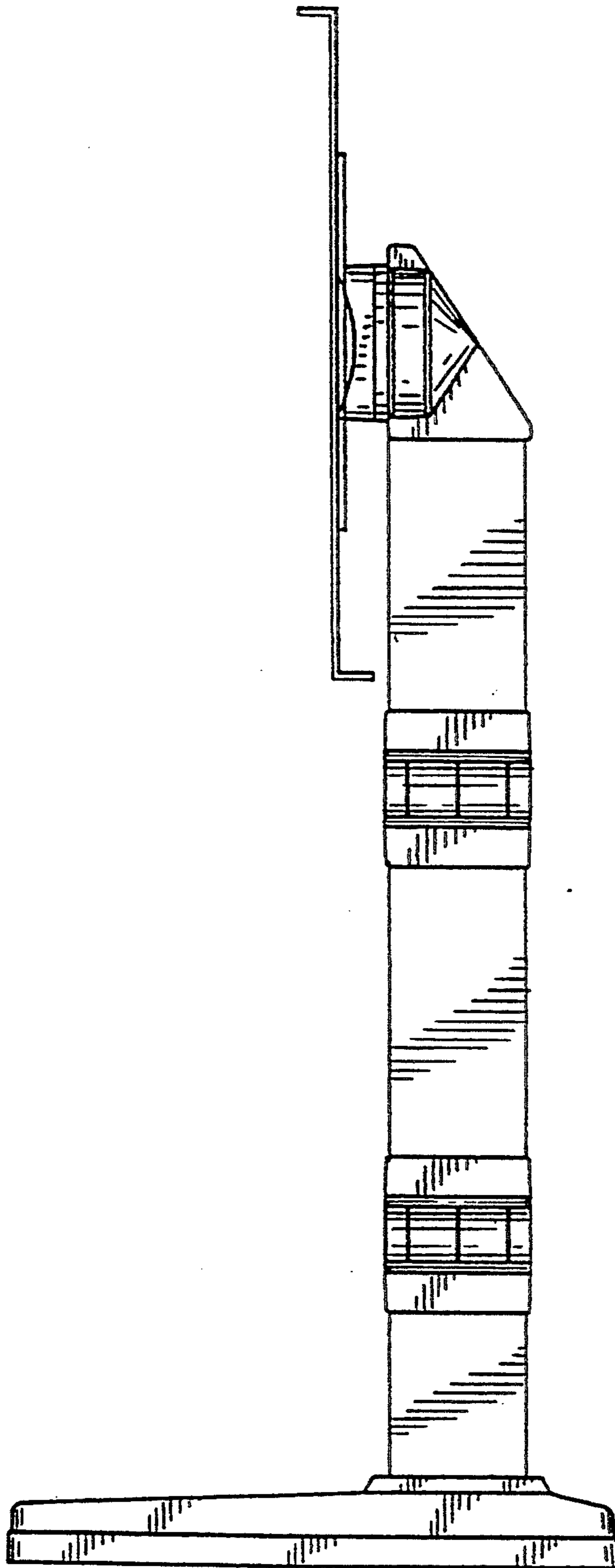


FIG. 1



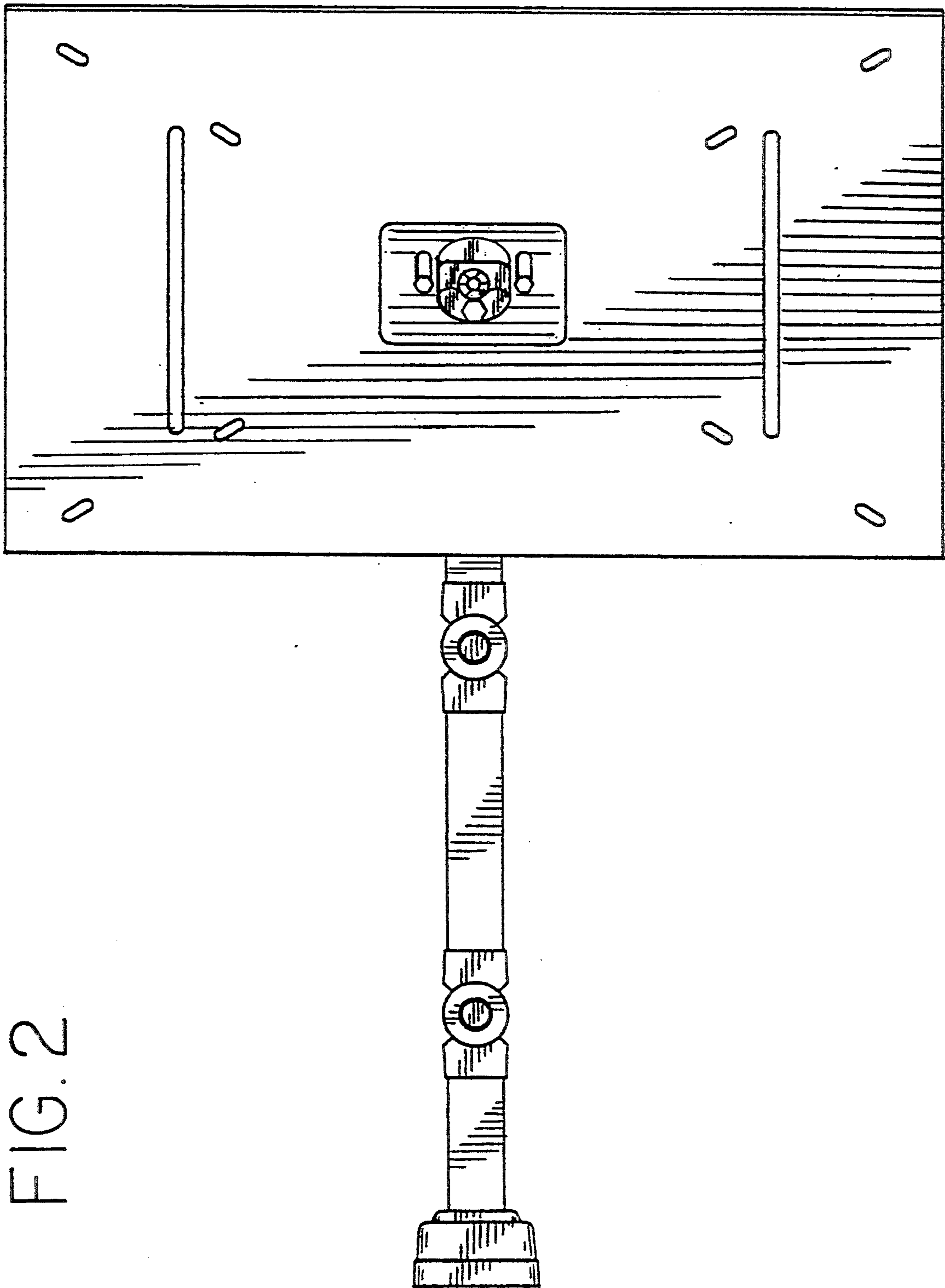


FIG. 2

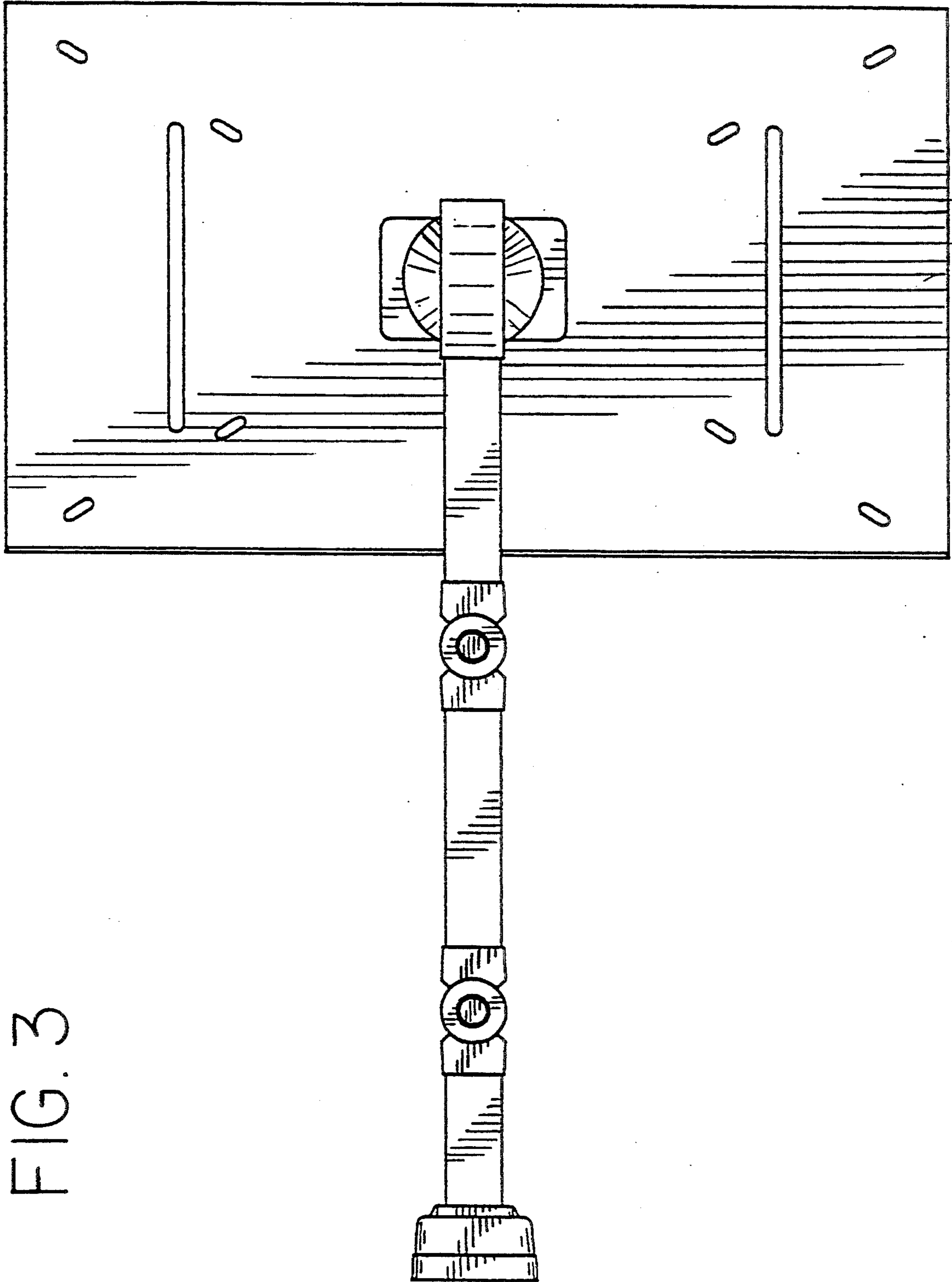


FIG. 3

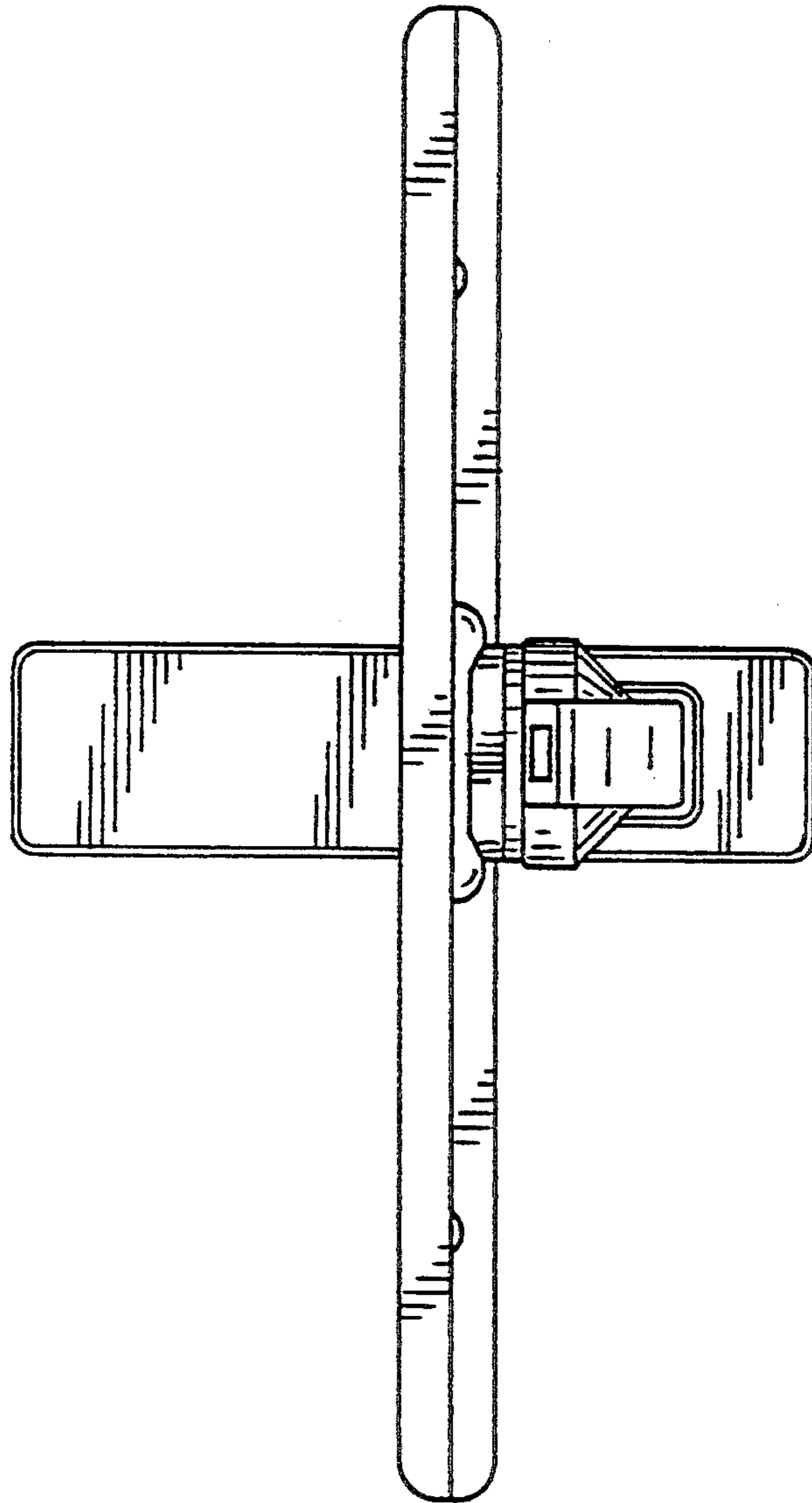


FIG. 4

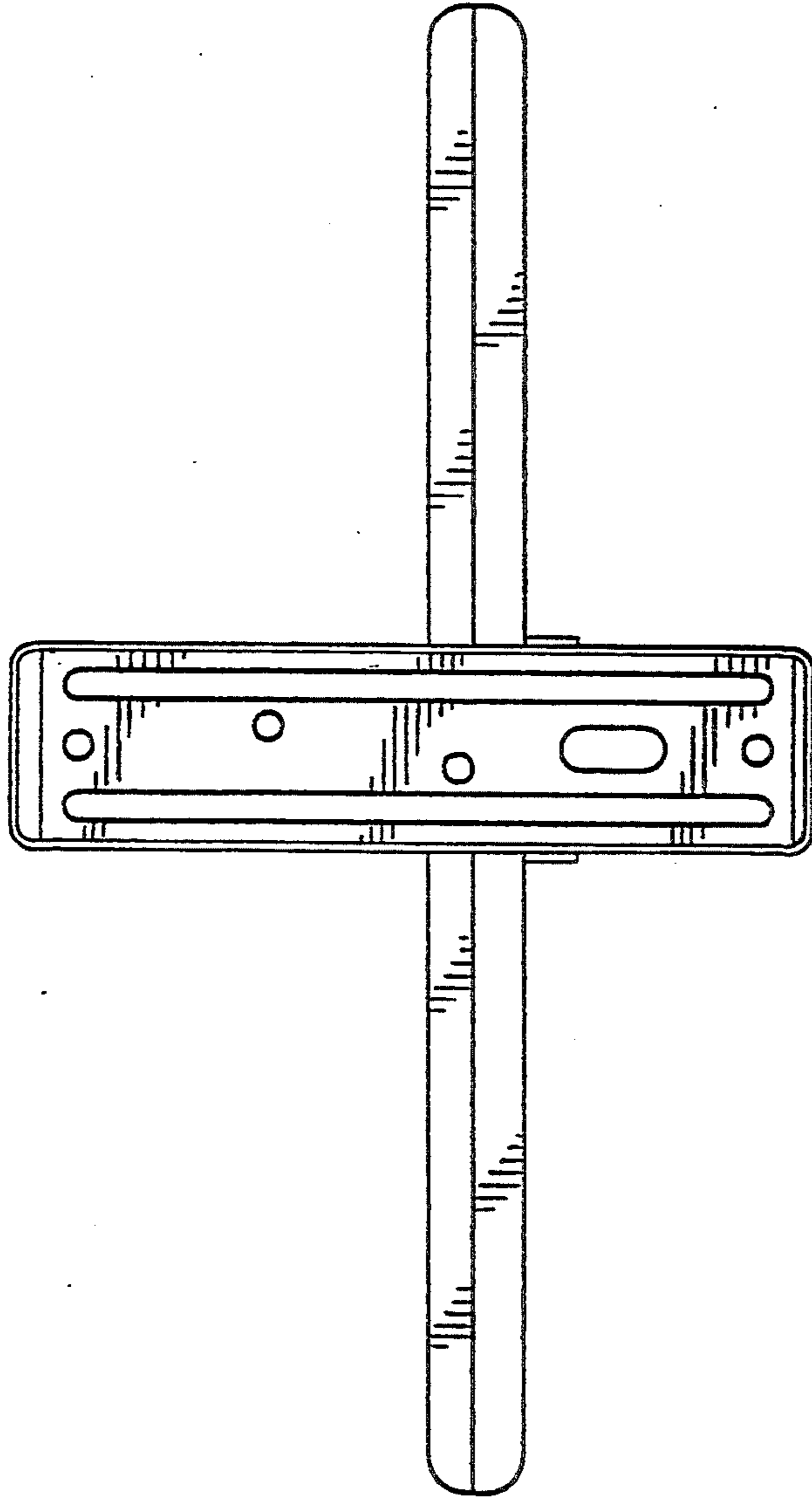


FIG. 5

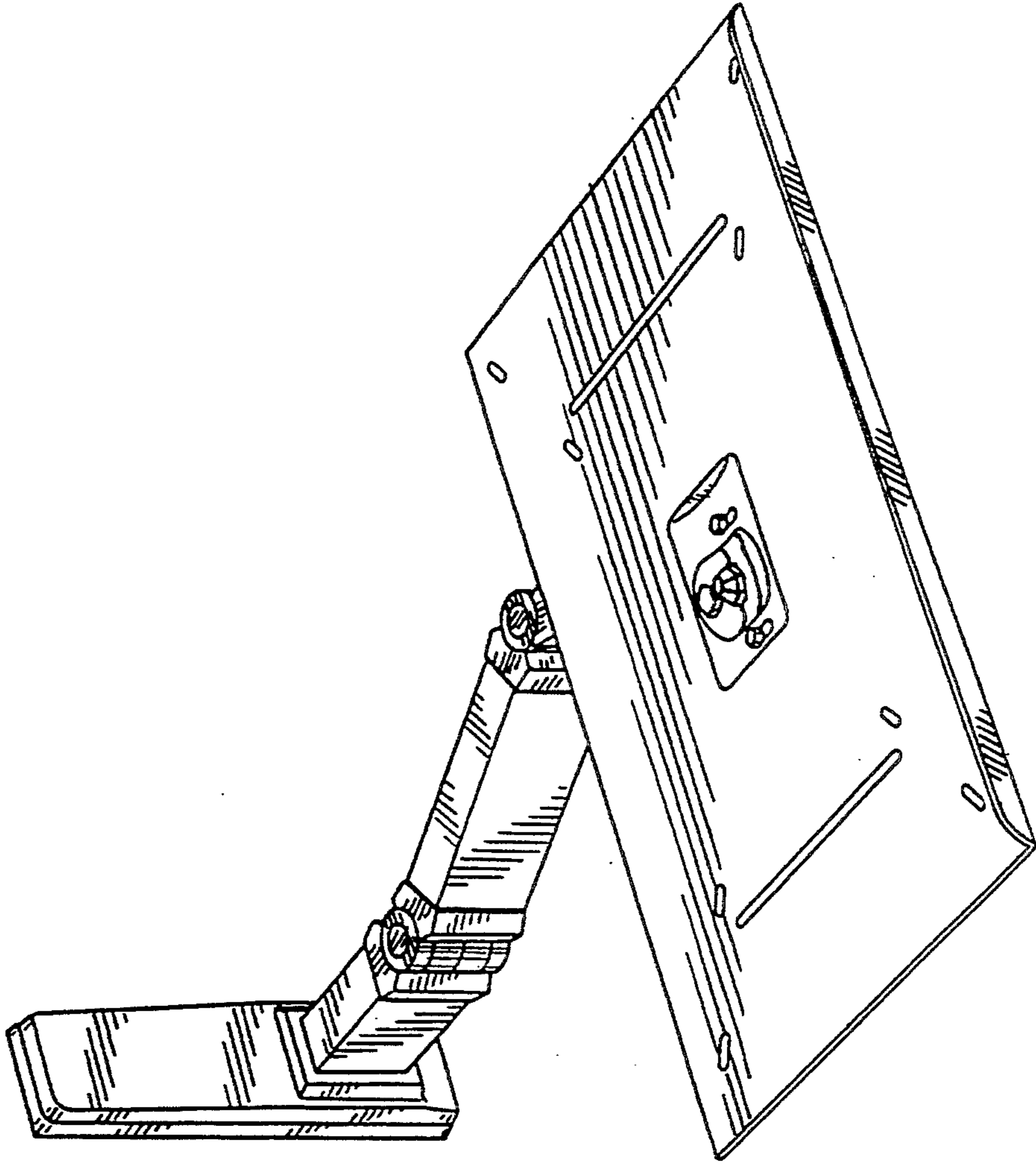


FIG. 6