



US00D357405S

United States Patent [19]
Philippi

[11] **Patent Number: Des. 357,405**
[45] **Date of Patent: ** Apr. 18, 1995**

[54] **PANEL BRACKET**

[76] **Inventor: Donald E. Philippi**, 1499 Trolley Way, Carson City, Nev. 89701

[**] **Term: 14 Years**

[21] **Appl. No.: 12,683**

[22] **Filed: Sep. 8, 1993**

[52] **U.S. Cl. D8/373**

[58] **Field of Search D8/349, 354, 366, 373; 248/223.1-223.4, 224.1-224.4, 225.1-225.31, 243, 221.2, 221.1**

[56] **References Cited**

U.S. PATENT DOCUMENTS

D. 247,157 2/1978 Yensh D8/371
1,062,901 5/1913 Entwistle 248/243

Primary Examiner—James M. Gandy
Assistant Examiner—H. Baynham
Attorney, Agent, or Firm—Herbert C. Schulze

[57] **CLAIM**

The ornamental design for a panel bracket, as shown and described.

DESCRIPTION

FIG. 1 is a perspective of the panel bracket embodying my new design;

FIG. 2 is a top plan thereof;

FIG. 3 is a left side elevation thereof;

FIG. 4 is a front elevation thereof;

FIG. 5 is a right side elevation thereof;

FIG. 6 is a back elevation thereof;

FIG. 7 is a bottom plan thereof;

FIG. 8 is a perspective view of a second embodiment of the design shown in FIG. 1; and,

FIG. 9 is a perspective view of a third embodiment of the design shown in FIG. 1.

The undisclosed bottom plan views of the second and third embodiments are identical to that shown in the first embodiment. The only difference between the appearances of the undisclosed side and rear views of the second and third embodiments and the disclosed views of the first embodiment is the shape of the supporting panel.

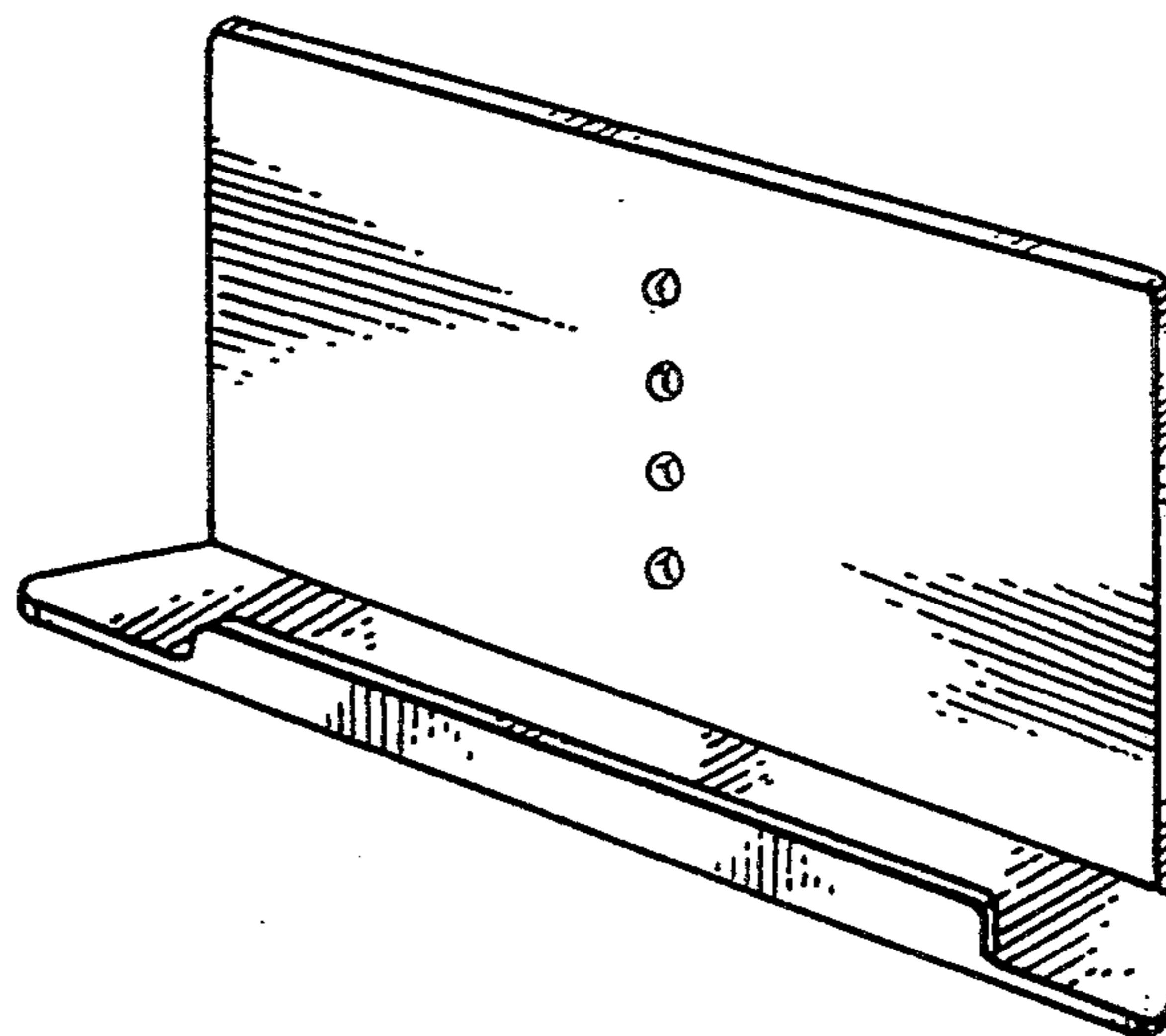
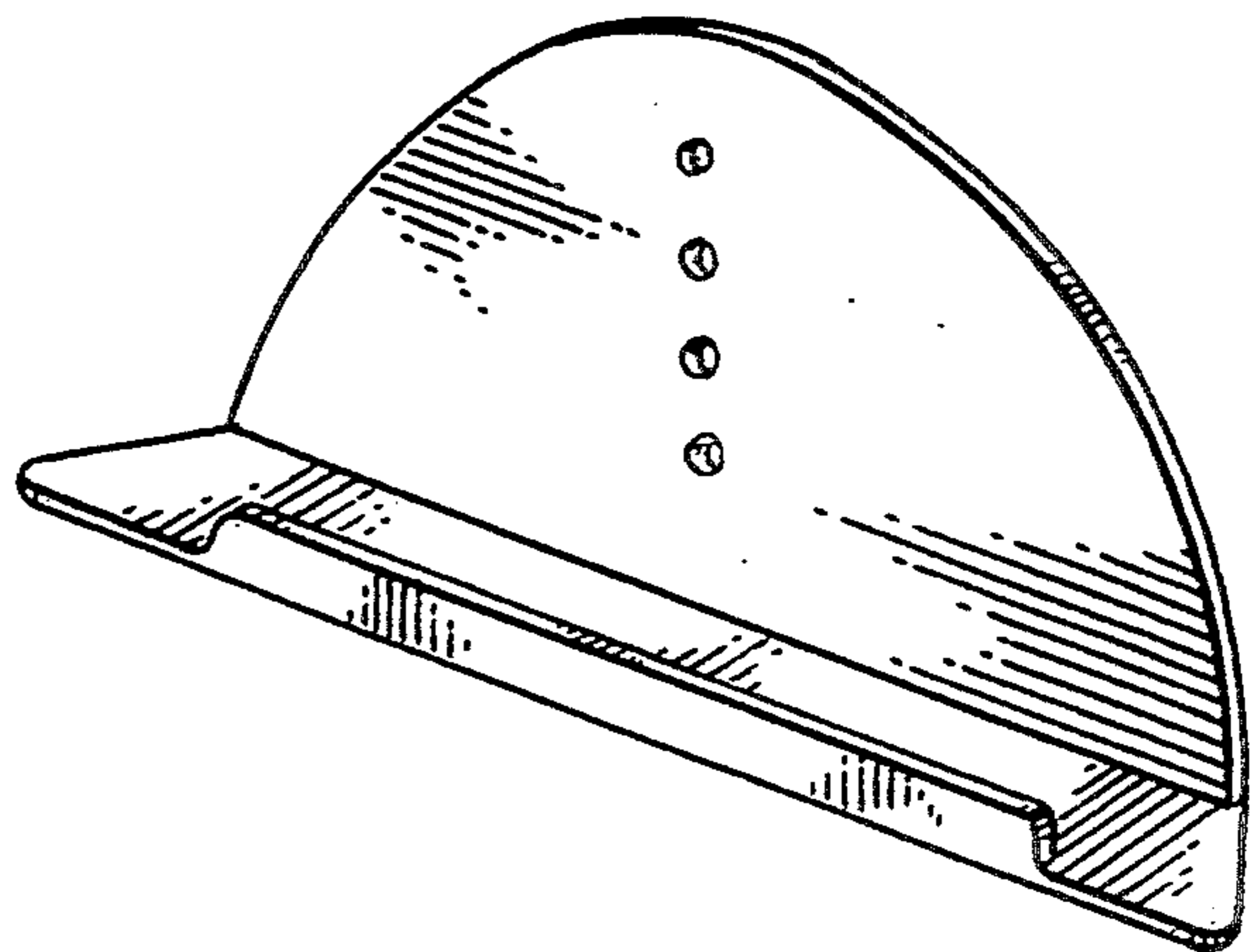
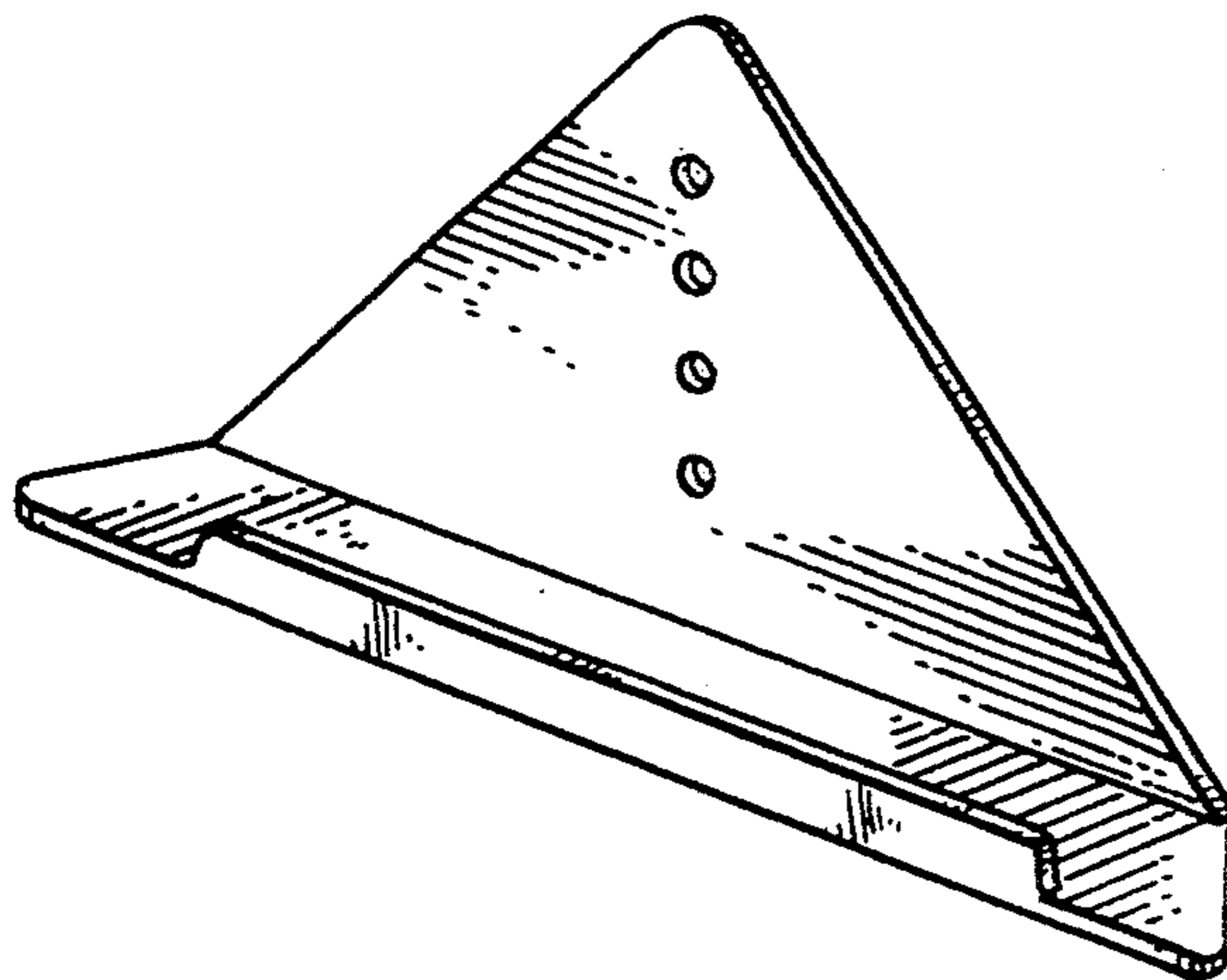


FIG. 1.

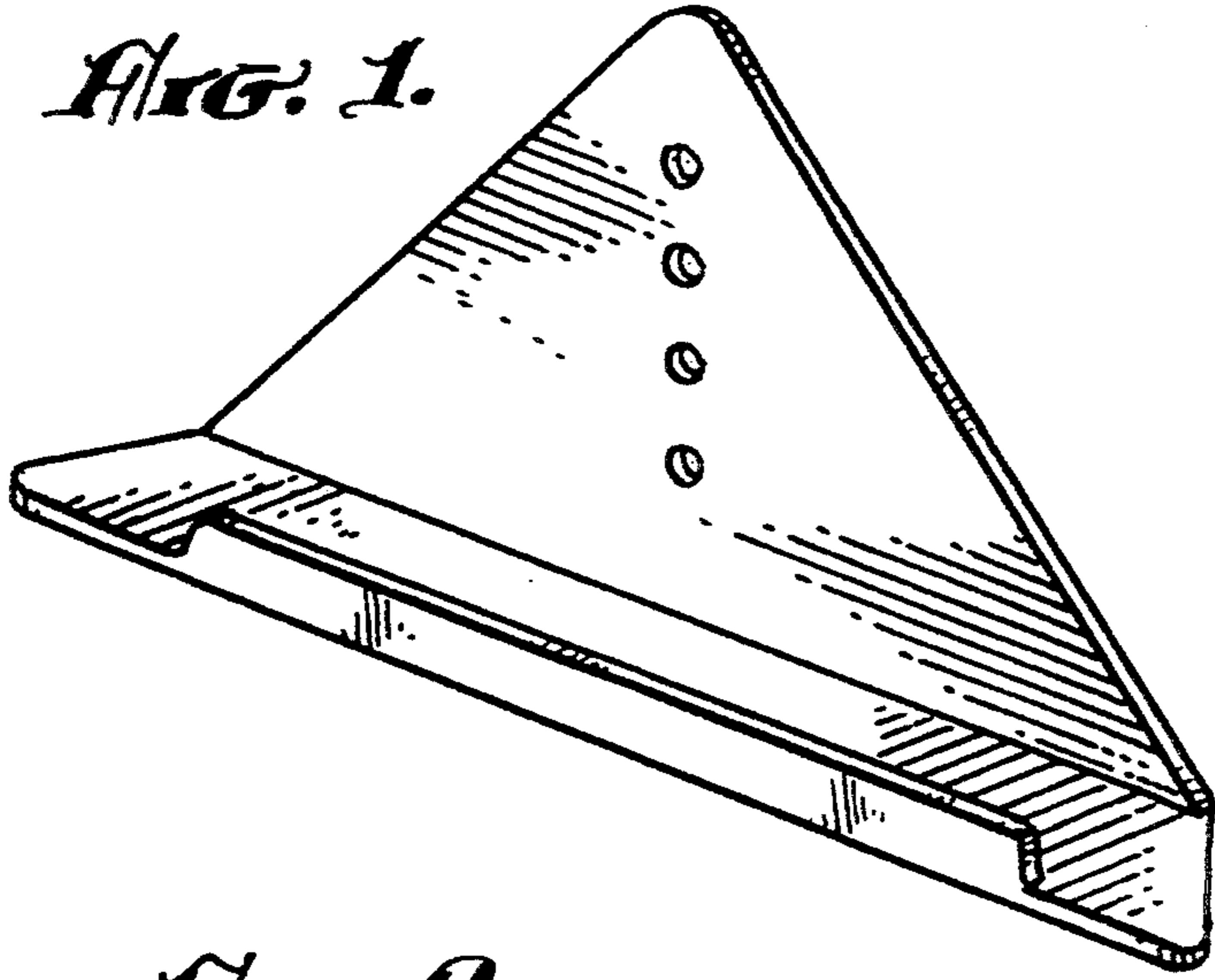


FIG. 3.

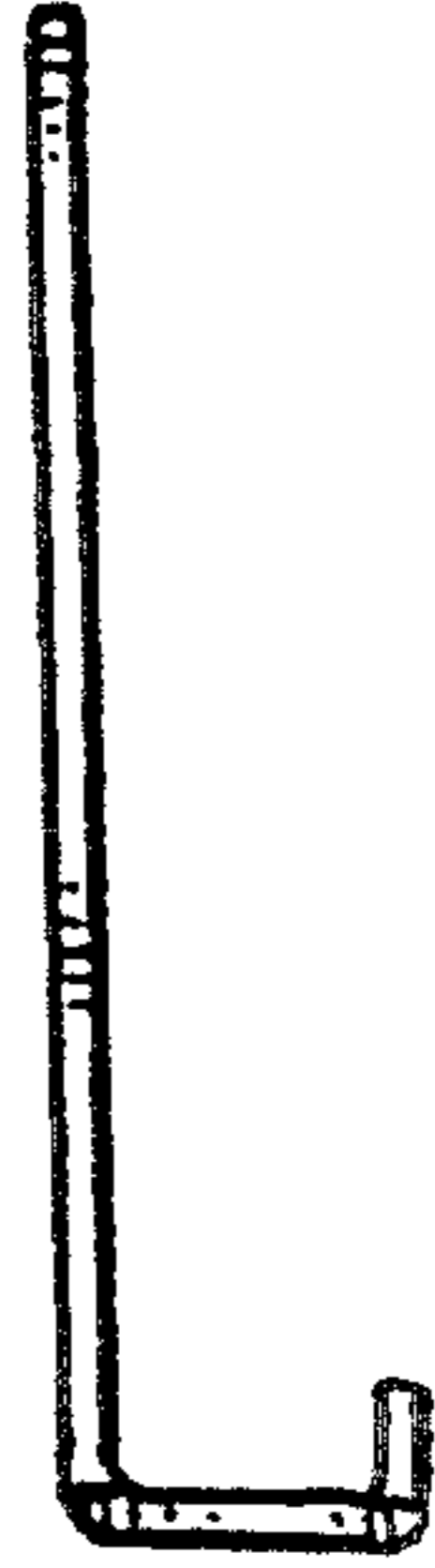


FIG. 2.

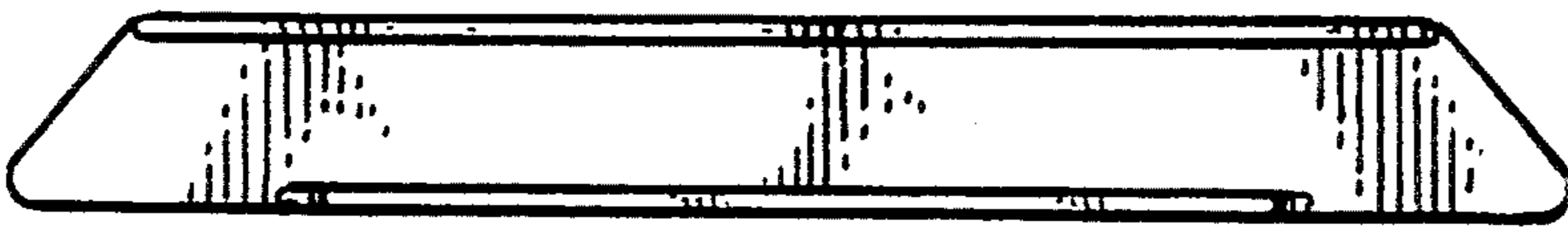


FIG. 4.

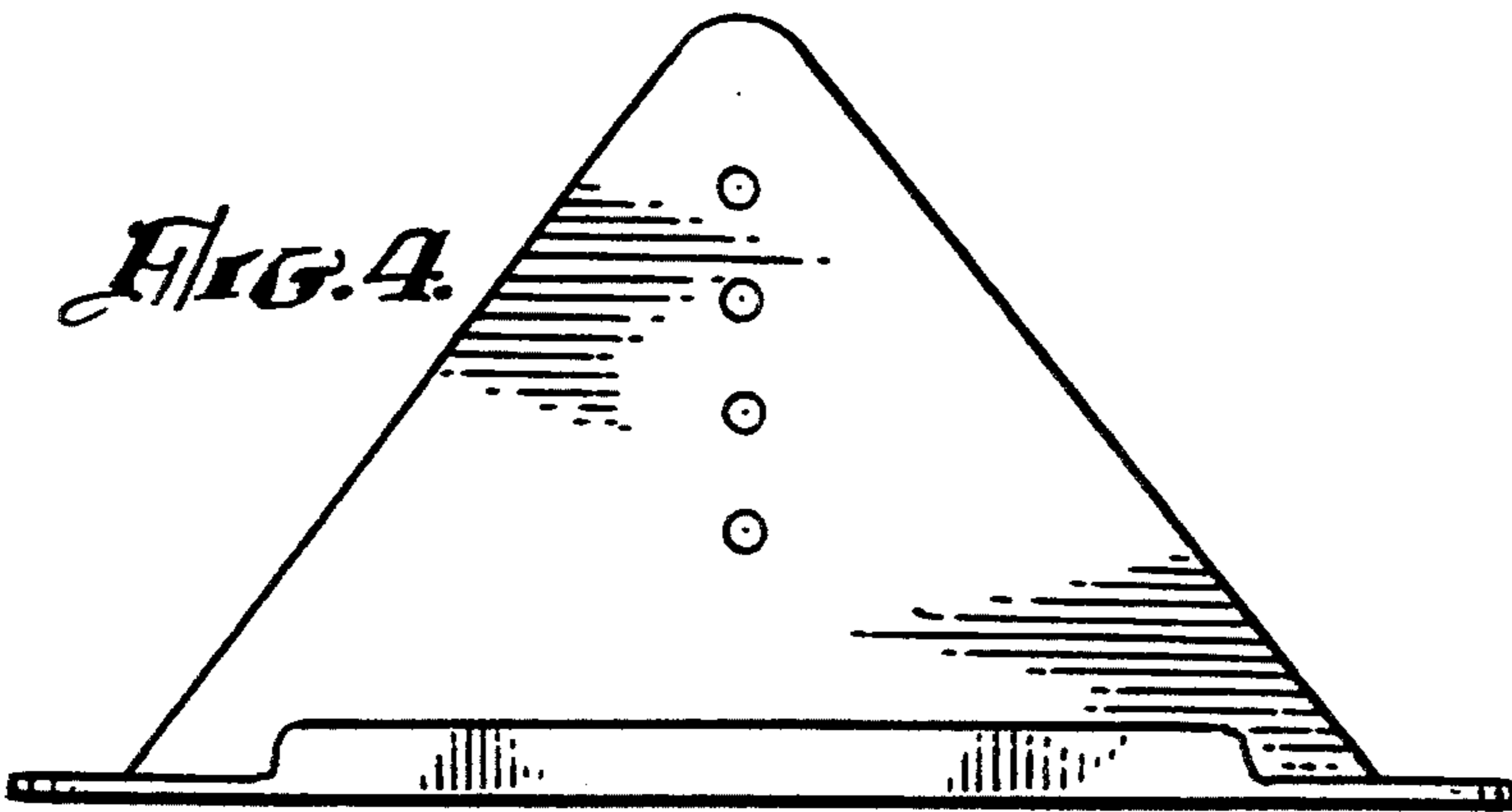


FIG. 5.



FIG. 6.

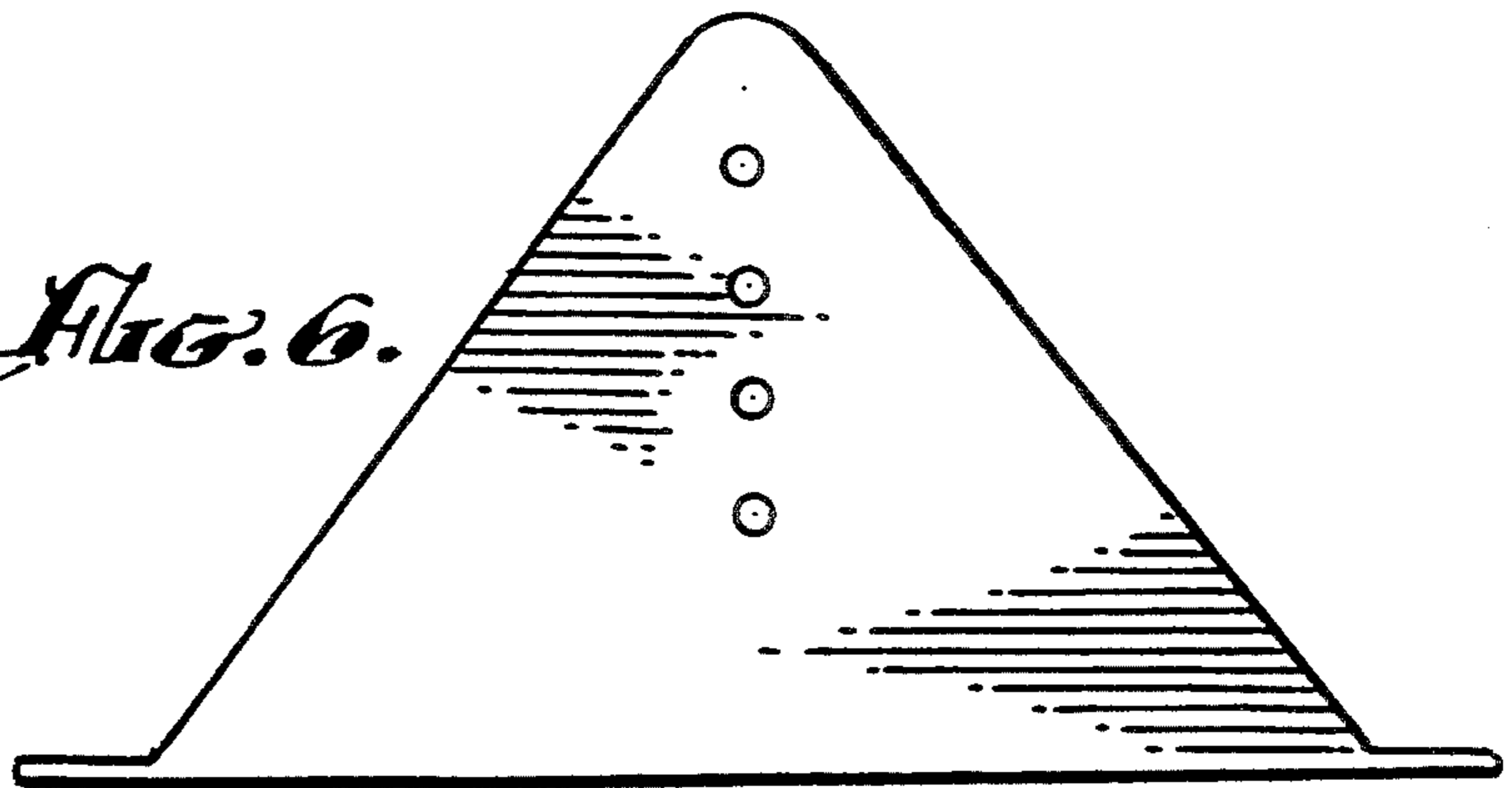


FIG. 7.



FIG. 8.

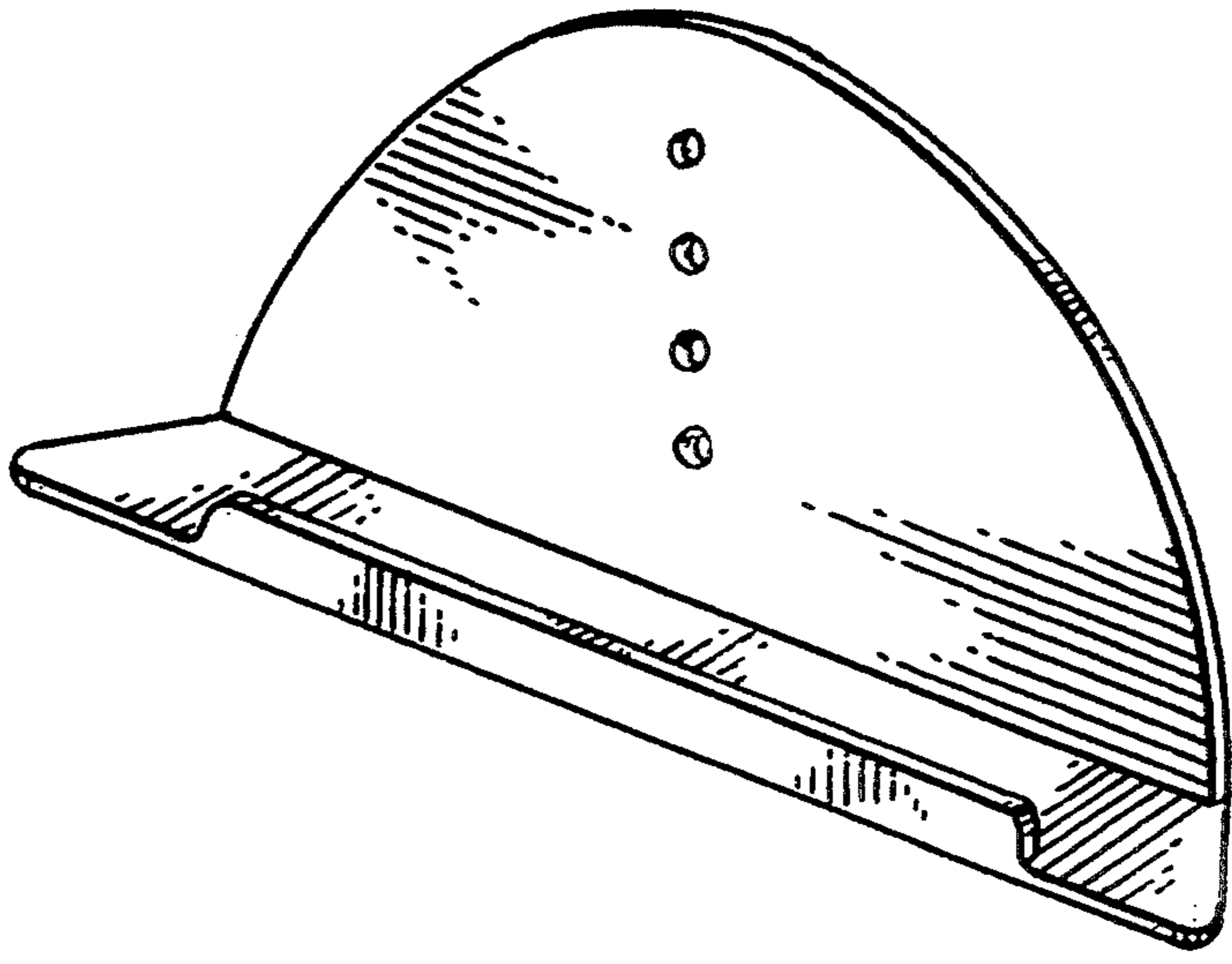


FIG. 9.

