



US00D357399S

# United States Patent [19]

[11] Patent Number: **Des. 357,399**

Miller

[45] Date of Patent: **\*\* Apr. 18, 1995**

[54] **COMBINED GAS PUMP NOZZLE LEVER HOLDER AND MAGNET**

*Attorney, Agent, or Firm*—Louis T. Isaf

[76] Inventor: **Danny M. Miller**, 358 Shire Way, Lawrenceville, Ga. 30244

[57] **CLAIM**

The ornamental design for a combined gas pump nozzle lever holder and magnet, as shown and described.

[\*\*] Term: **14 Years**

**DESCRIPTION**

[21] Appl. No.: **7,848**

FIG. 1 is a perspective view of a combined gas pump nozzle lever holder and magnet, showing my new design;

[22] Filed: **Apr. 29, 1993**

[52] U.S. Cl. .... **D8/354; D8/349**

FIG. 2 is left elevational view thereof, the side opposite being a mirror image;

[58] Field of Search ..... **D8/349, 354; 141/392; 74/526; D13/183**

FIG. 3 is a front elevational view thereof, the side opposite being a mirror image;

[56] **References Cited**

**U.S. PATENT DOCUMENTS**

- D. 258,114 2/1981 Maynor, Jr. .... D8/349
- D. 297,612 9/1988 Friezner ..... D8/354
- 4,210,181 7/1980 Clevenger ..... 141/392

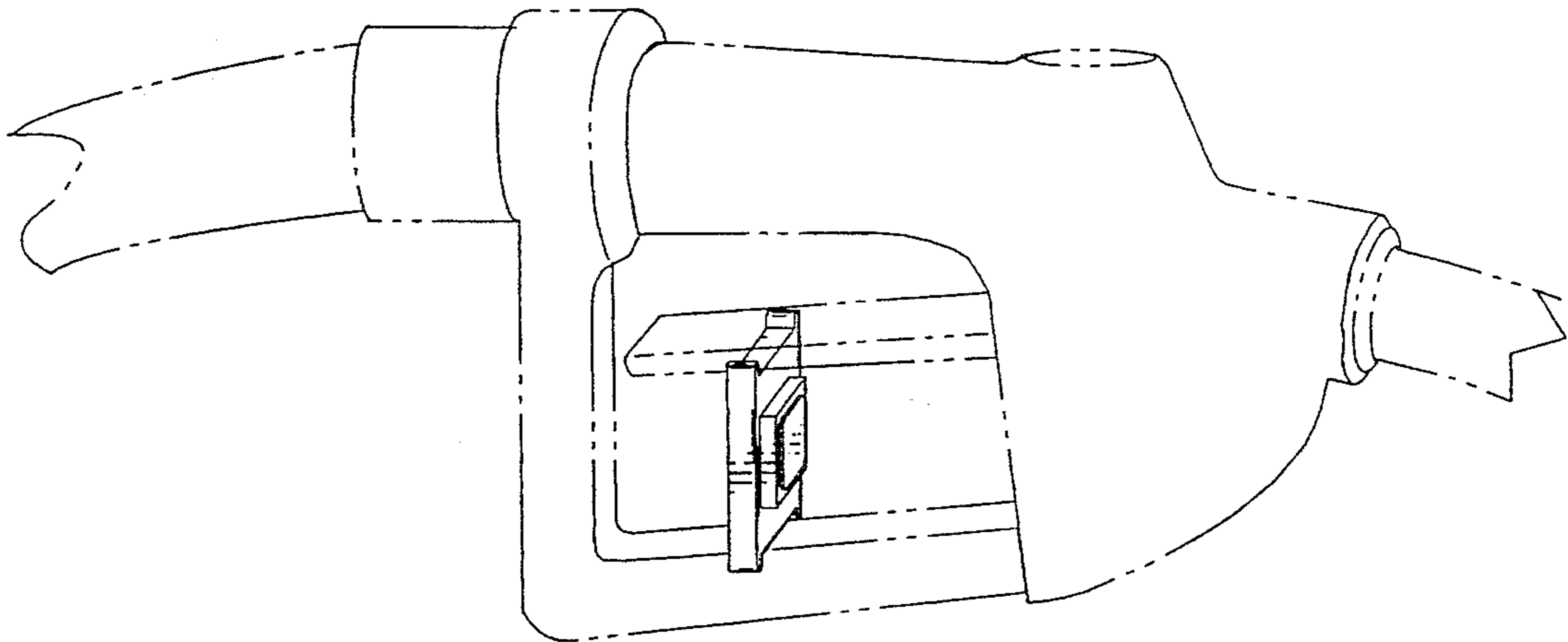
FIG. 4 is a top plan view thereof;

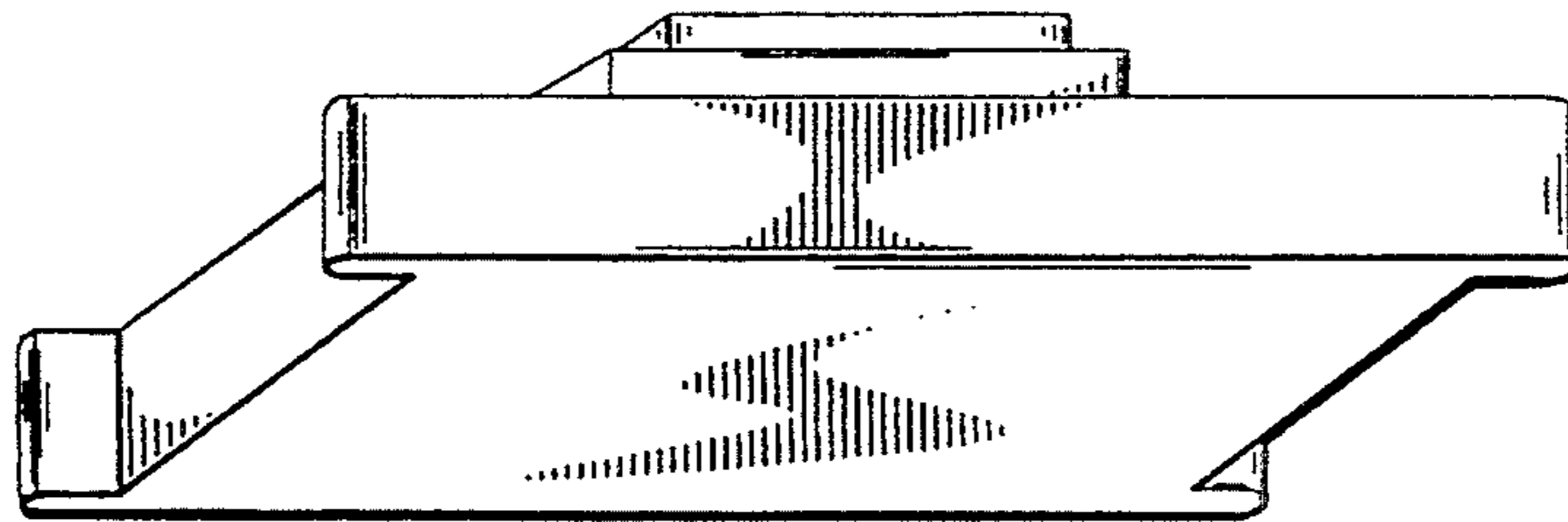
FIG. 5 is a bottom plan view thereof; and,

FIG. 6 is a perspective view thereof, wherein lines represented by broken lines are for illustrative purposes only and form no part of claimed designs, and wherein lines represented by broken lines depict a portion of a fuel hose assembly.

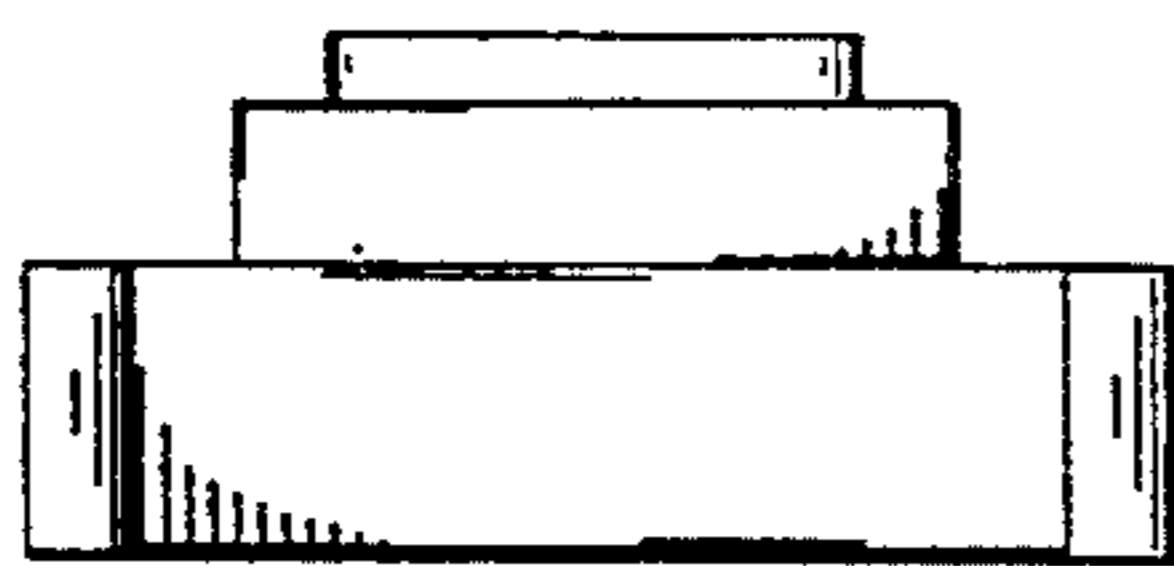
*Primary Examiner*—Susan J. Lucas

*Assistant Examiner*—H. Baynham

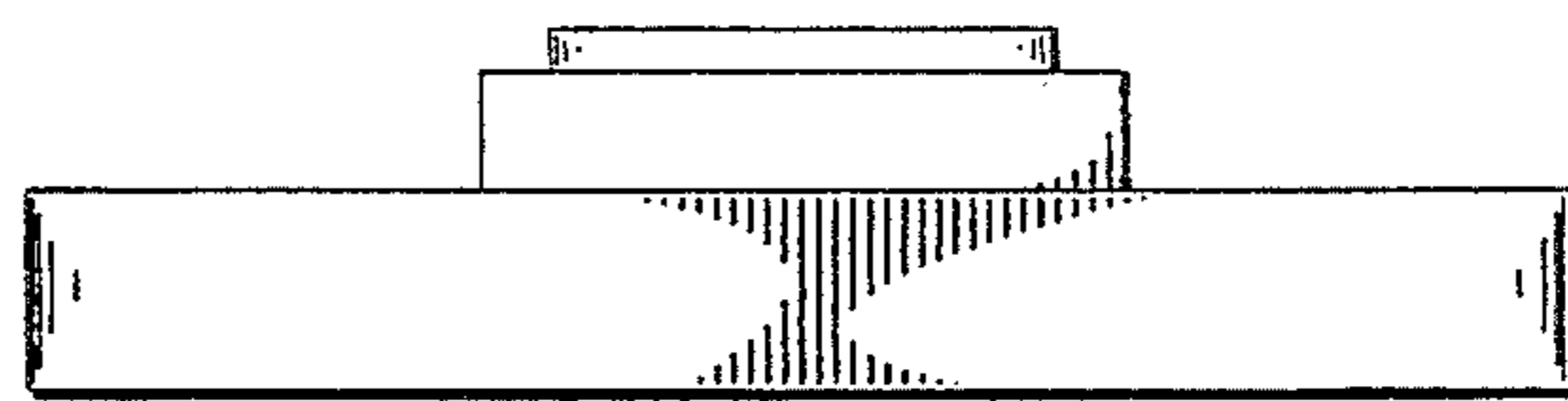




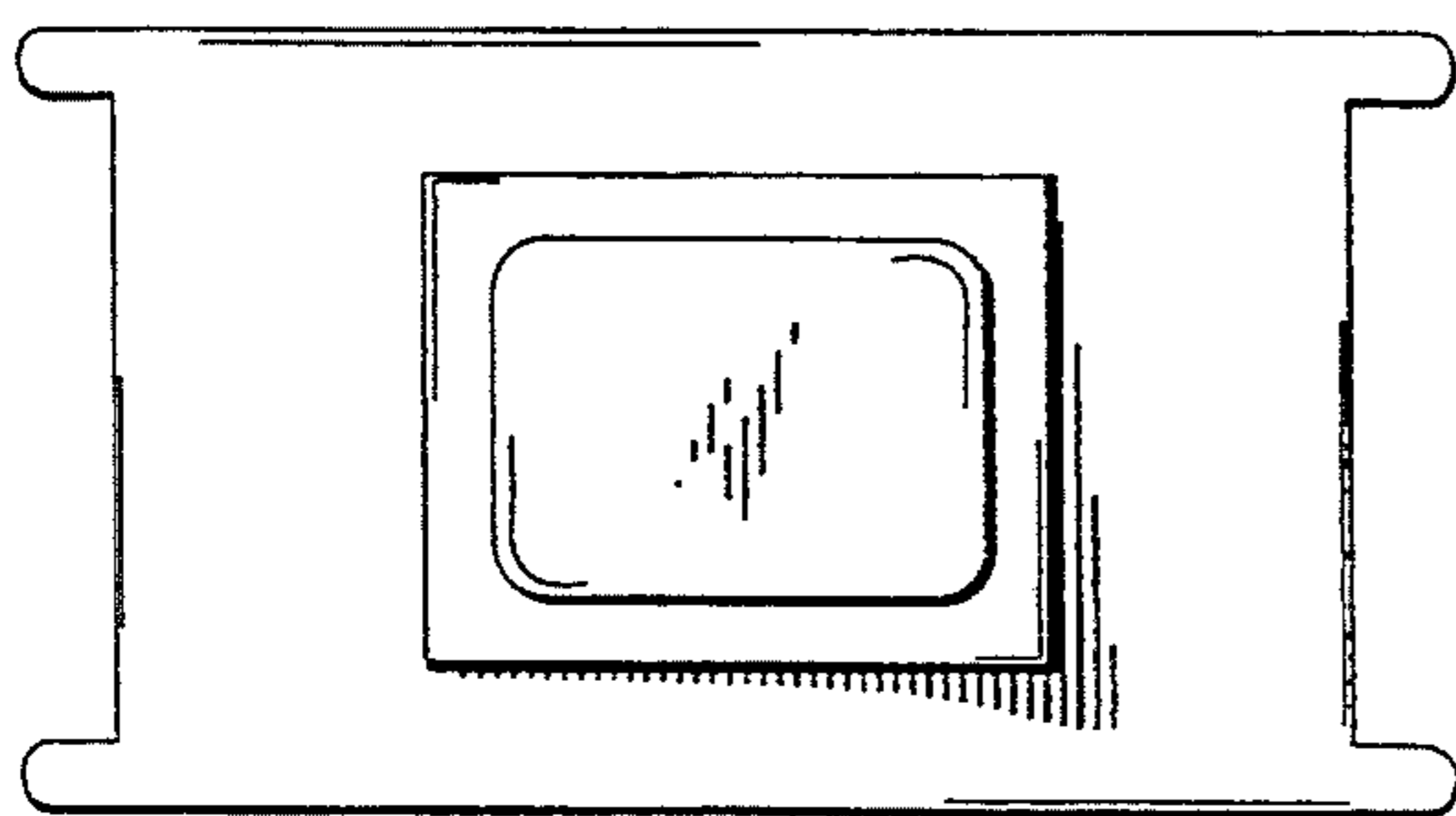
**FIG. 1**



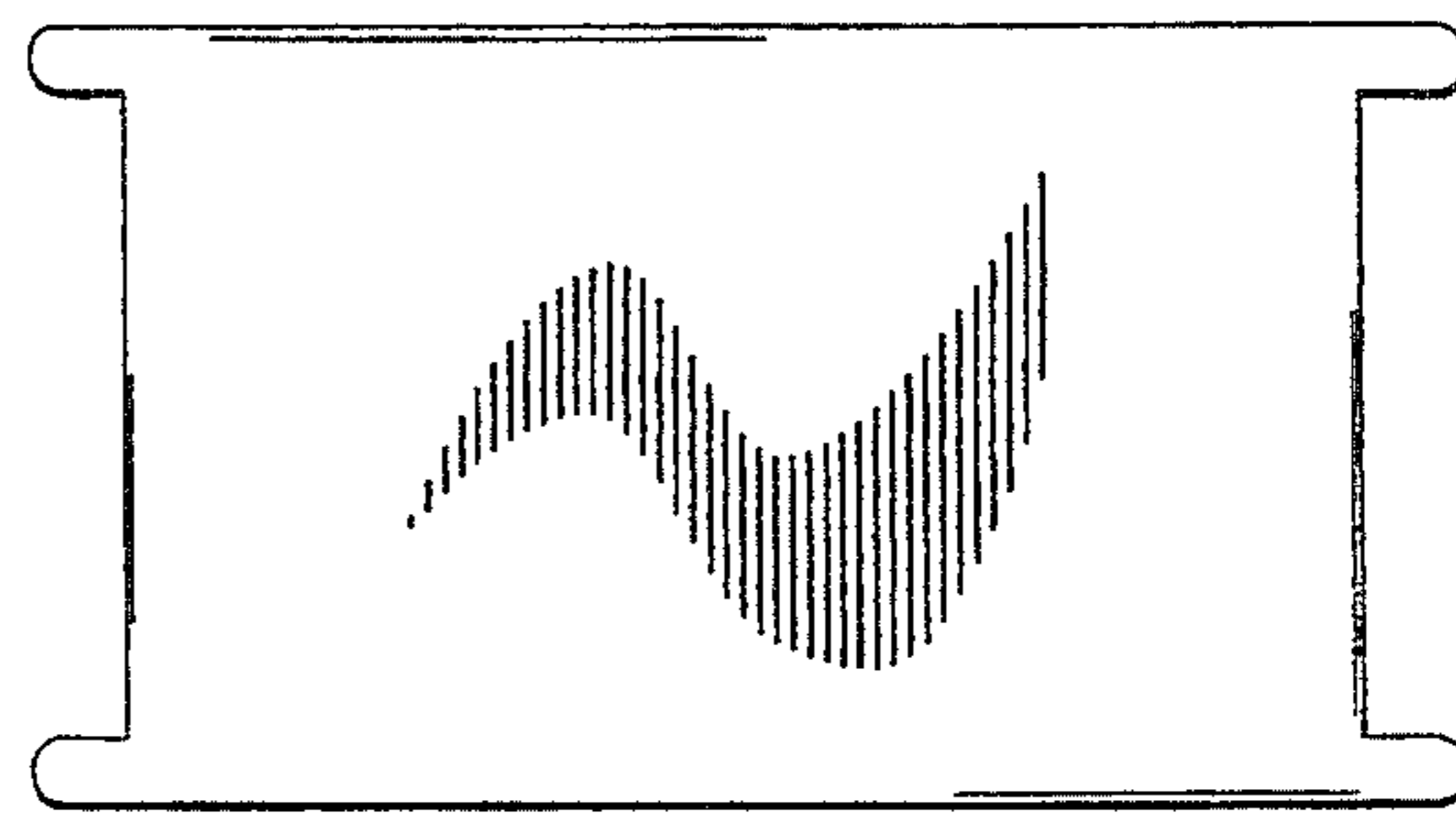
**FIG. 2**



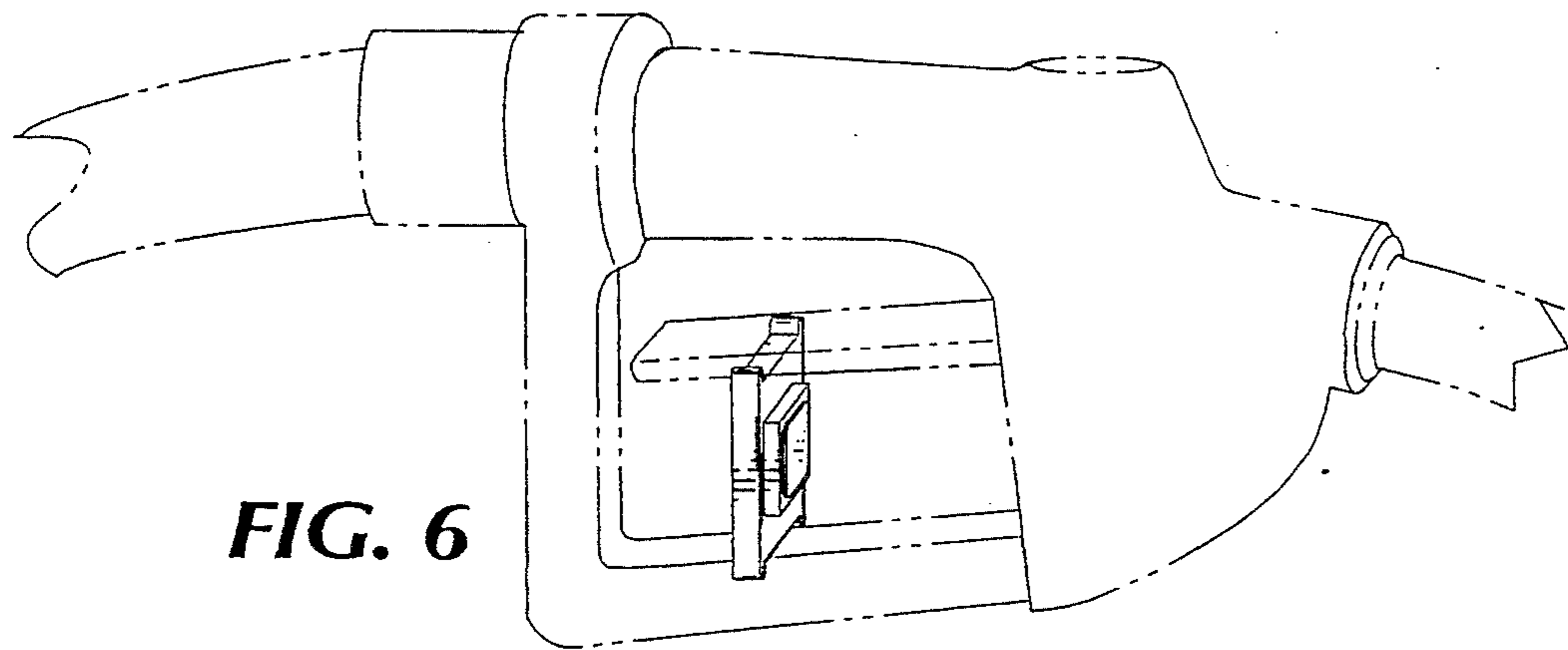
**FIG. 3**



**FIG. 4**



**FIG. 5**



**FIG. 6**