



US00D357397S

United States Patent [19]

[11] Patent Number: **Des. 357,397**

Kuo

[45] Date of Patent: **** Apr. 18, 1995**

[54] **BAR LOCK**

4,674,304 6/1987 Guiler 70/164

[76] Inventor: **Li-Tsao Kuo**, No. 47-8, Alley 36,
Lane 459, Sec. 1, An-Ho Road,
Tainan City, Taiwan, Prov. of China

Primary Examiner—Brian N. Vinson
Attorney, Agent, or Firm—Morton J. Rosenberg; David
I. Klein

[**] Term: **14 Years**

[57] **CLAIM**

[21] Appl. No.: **22,415**

The ornamental design for a bar lock, as shown and
described.

[22] Filed: **May 4, 1994**

[52] U.S. Cl. **D8/333**

[58] Field of Search **D8/330-331,**
D8/333; 70/14-16, 18, 57, 158, 163-164, 233

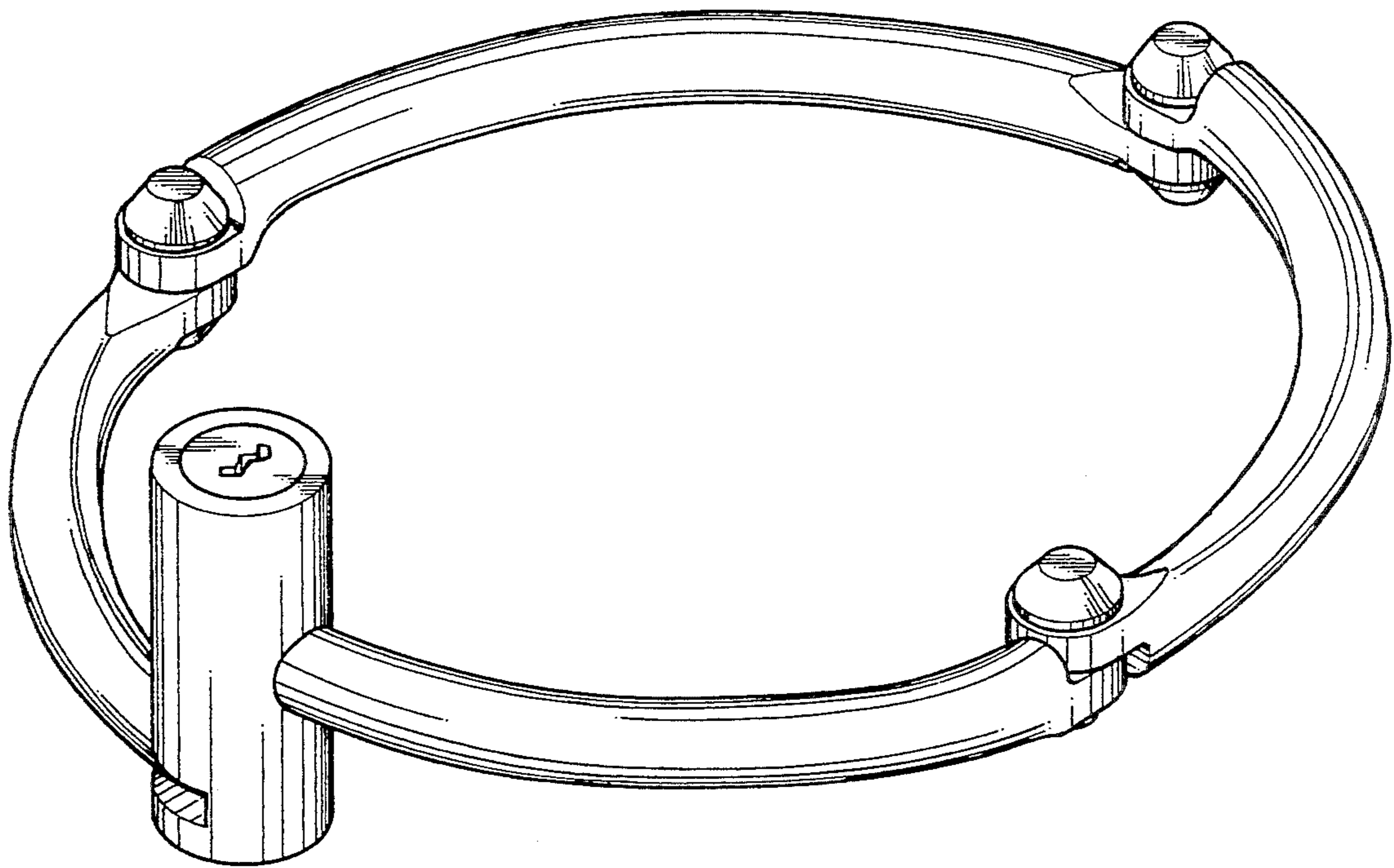
DESCRIPTION

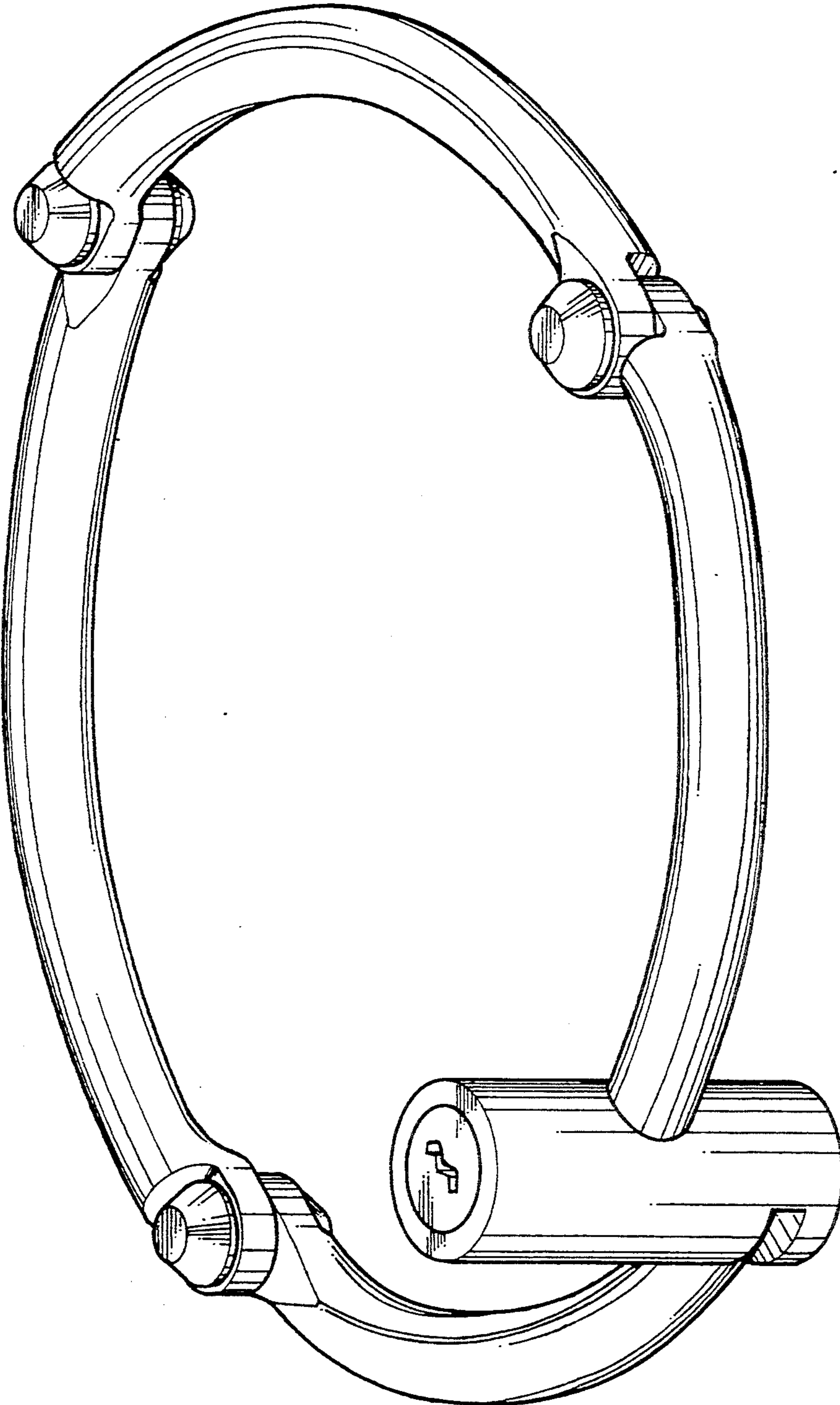
FIG. 1 is a perspective view of a bar lock showing my
new design;
FIG. 2 is a front view thereof;
FIG. 3 is a rear view thereof;
FIG. 4 is a right side elevational view thereof;
FIG. 5 is a left side elevational view thereof;
FIG. 6 is a top plan view thereof;
FIG. 7 is a bottom plan view thereof; and,
FIG. 8 is a top plan view thereof showing the bar lock
folded.

[56] **References Cited**

U.S. PATENT DOCUMENTS

D. 347,988	6/1994	Thorne	D8/333
D. 349,031	7/1994	Smith	D8/333
D. 351,778	10/1994	Kuo	D8/333
3,747,376	7/1973	White, Jr.	70/18
4,331,012	5/1982	Swisher	70/164





F I G . 1

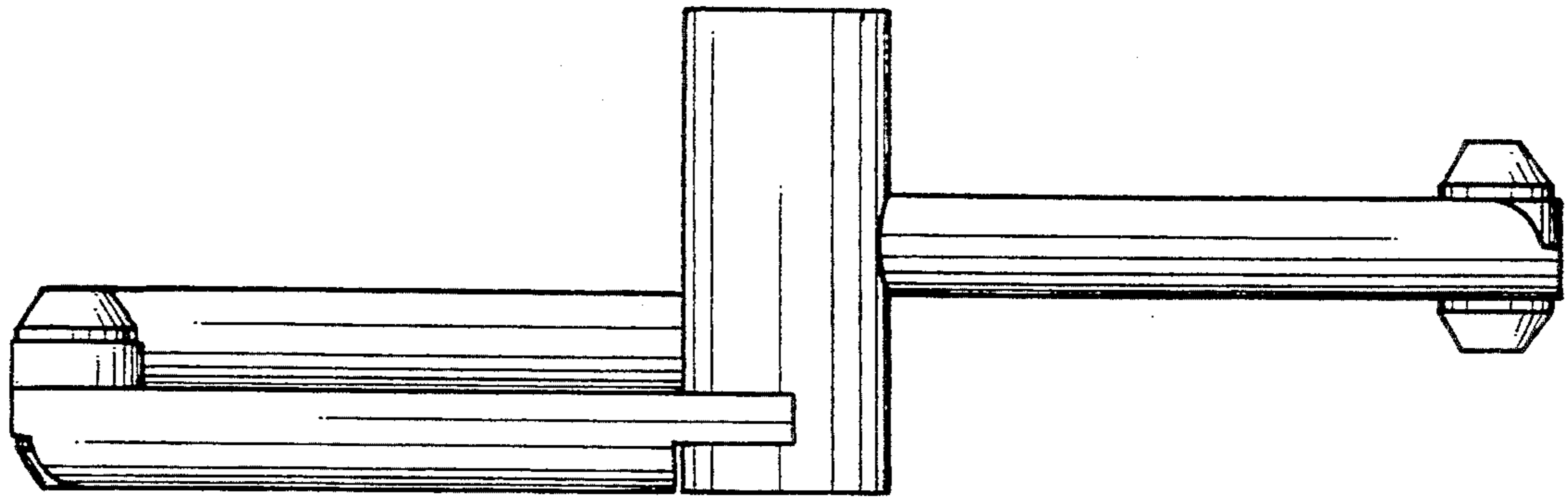


FIG. 2

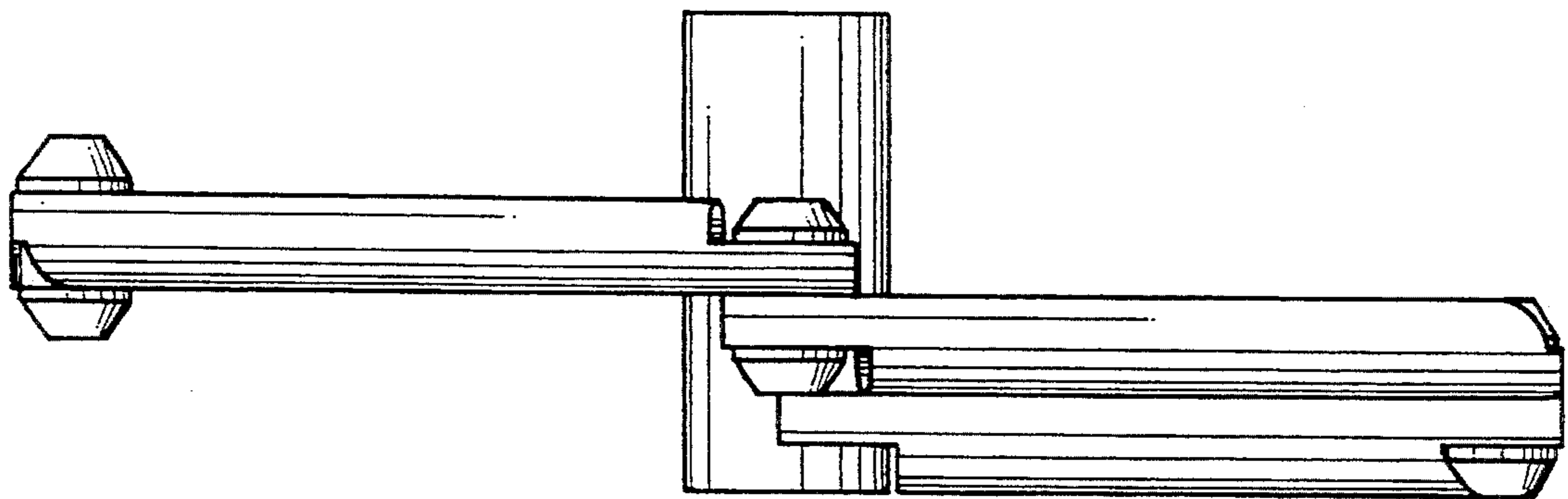


FIG. 3

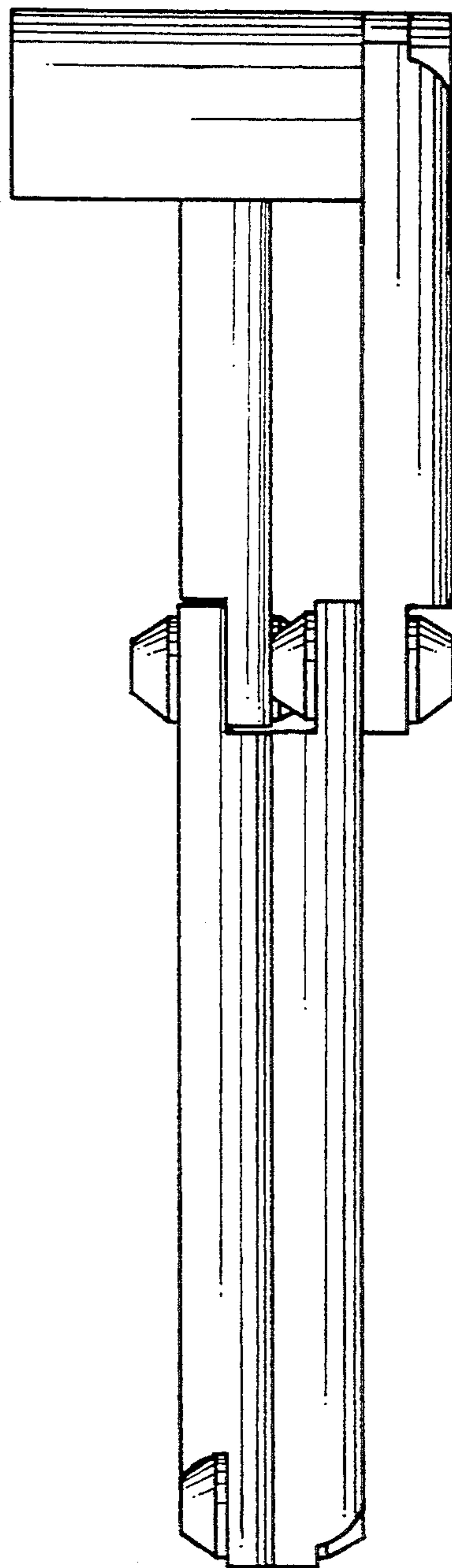


FIG. 4

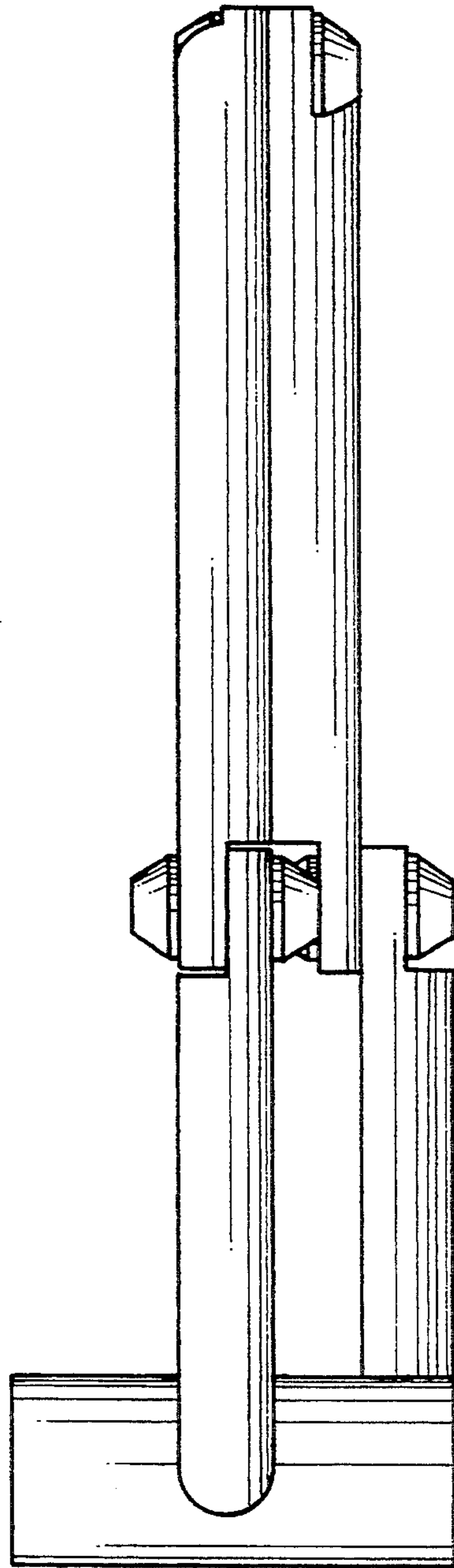


FIG. 5

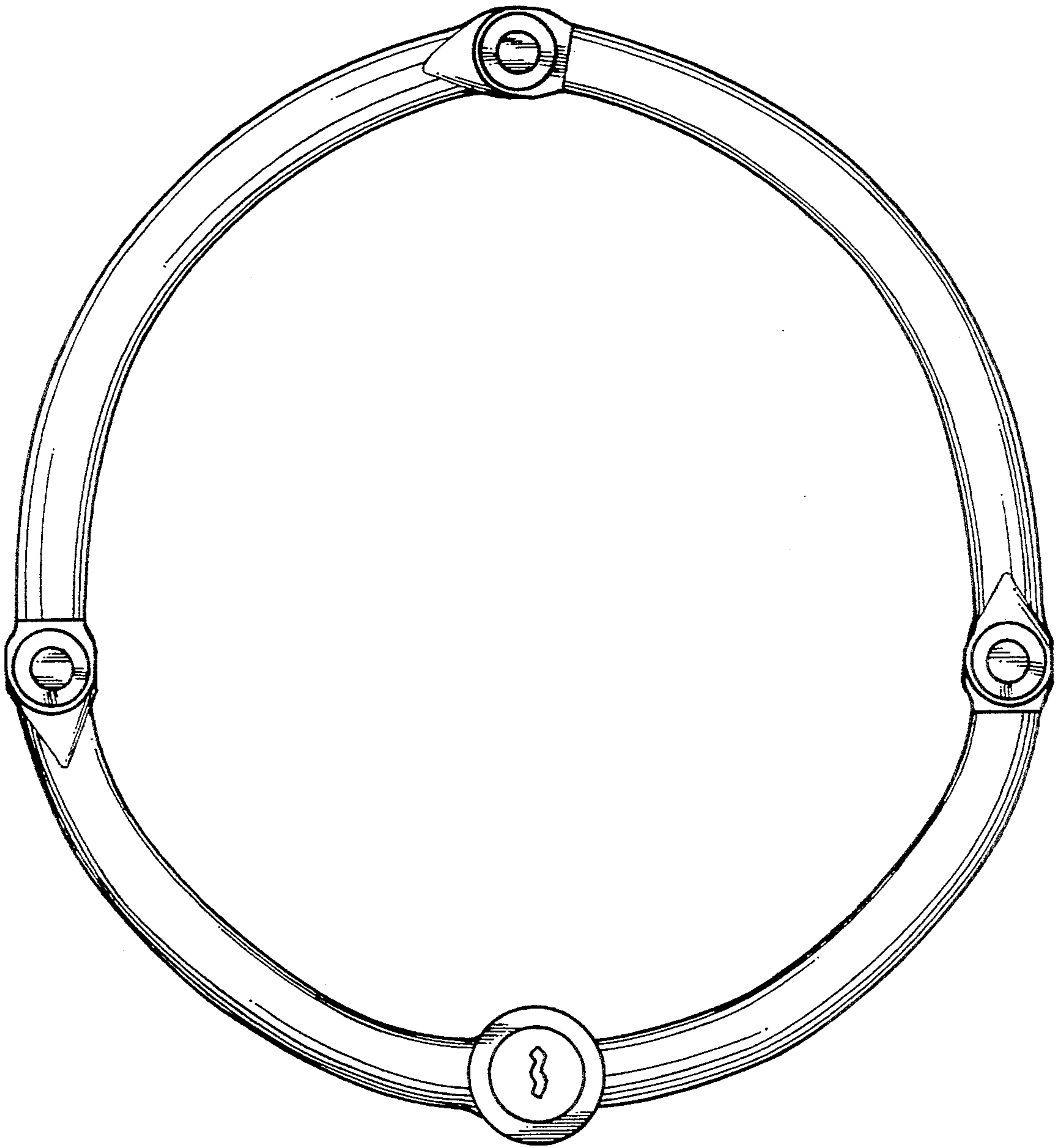


FIG. 6

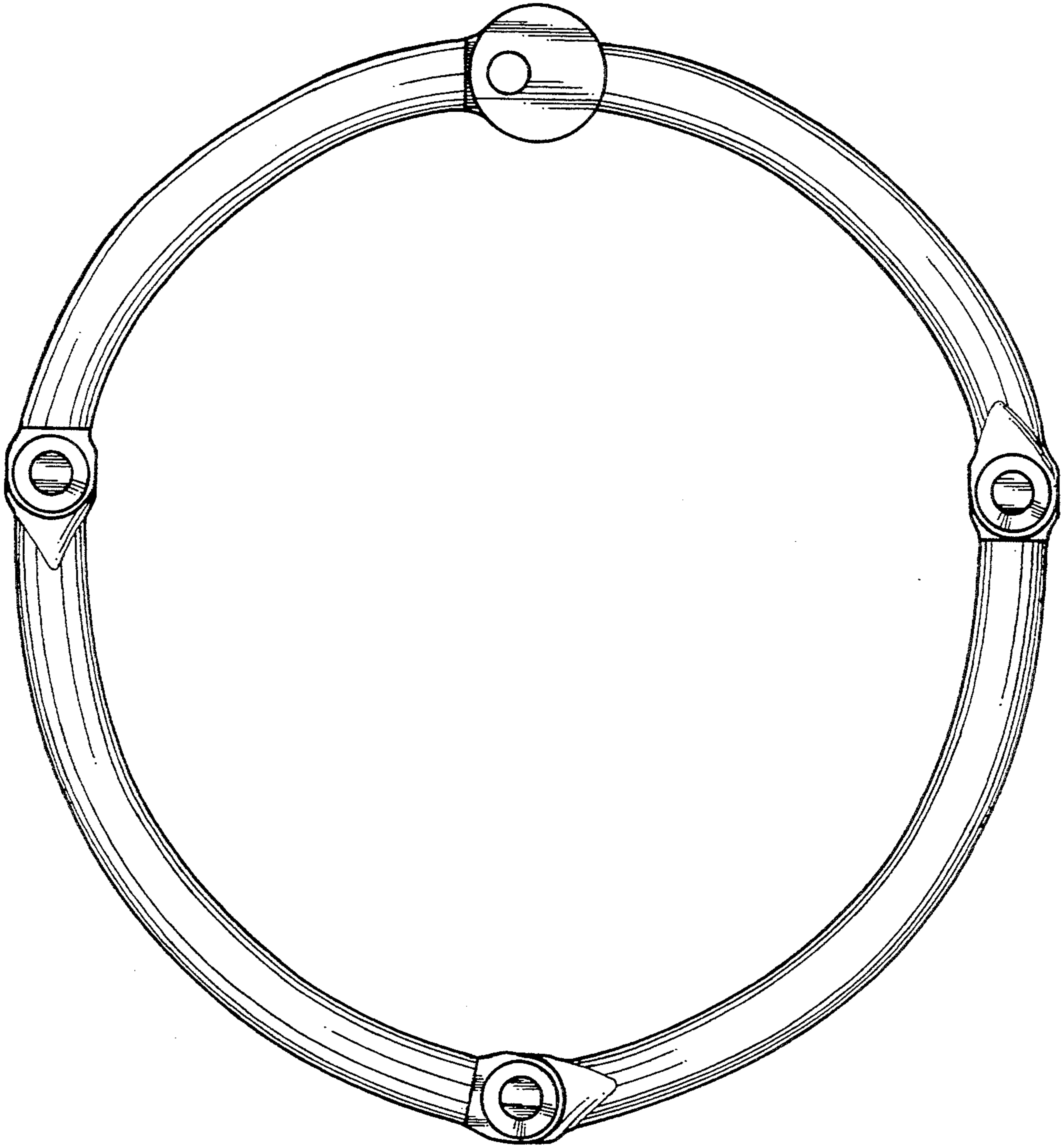


FIG. 7

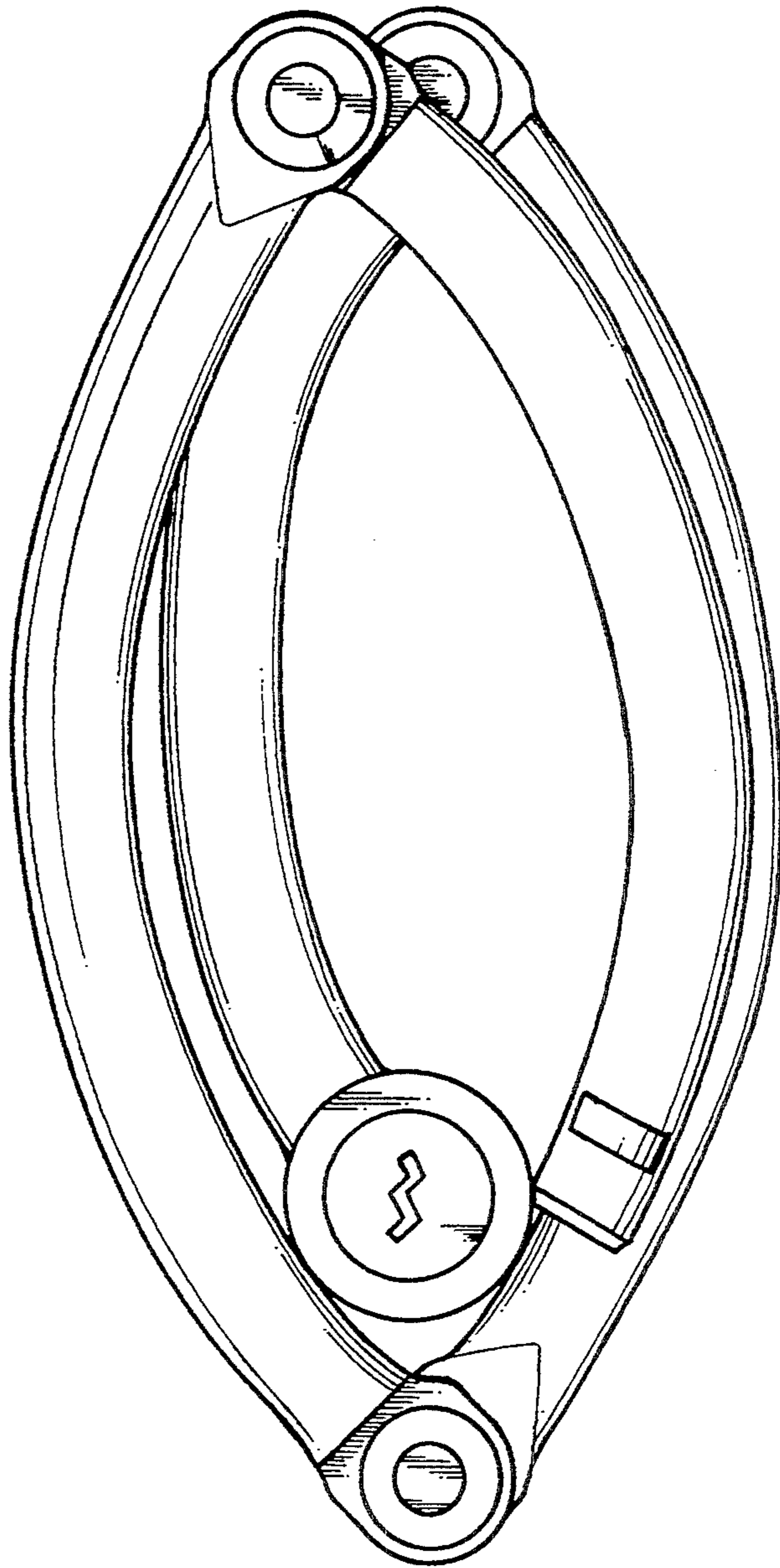


FIG. 8