



US00D357395S

# United States Patent [19]

[11] Patent Number: **Des. 357,395**

Friel

[45] Date of Patent: **\*\* Apr. 18, 1995**

[54] **KNIFE SHARPENER**

[75] Inventor: **Daniel D. Friel, Greenville, Del.**

[73] Assignee: **Edgecraft Corp., Avondale, Pa.**

[\*\*] Term: **14 Years**

[21] Appl. No.: **7,828**

[22] Filed: **Apr. 30, 1993**

[52] U.S. Cl. .... **D8/93**

[58] Field of Search ..... **D8/90, 91, 92, 93;  
76/86, 87, 88; 51/285, 80 BS, 205 WG, 221 BS,  
211 R**

D. 309,415	7/1990	Shimizu	.....	D8/93
D. 315,663	3/1991	Dolbosco	.....	D8/93
D. 323,450	1/1992	Shimizu	.....	D8/93
D. 331,688	12/1992	Busse	.....	D8/63
4,502,254	3/1985	Carter	.....	76/88

*Primary Examiner*—Bernard Ansher  
*Assistant Examiner*—Philip Hyder  
*Attorney, Agent, or Firm*—Connolly & Hutz

[57] **CLAIM**

The ornamental design for a knife sharpener, as shown and described.

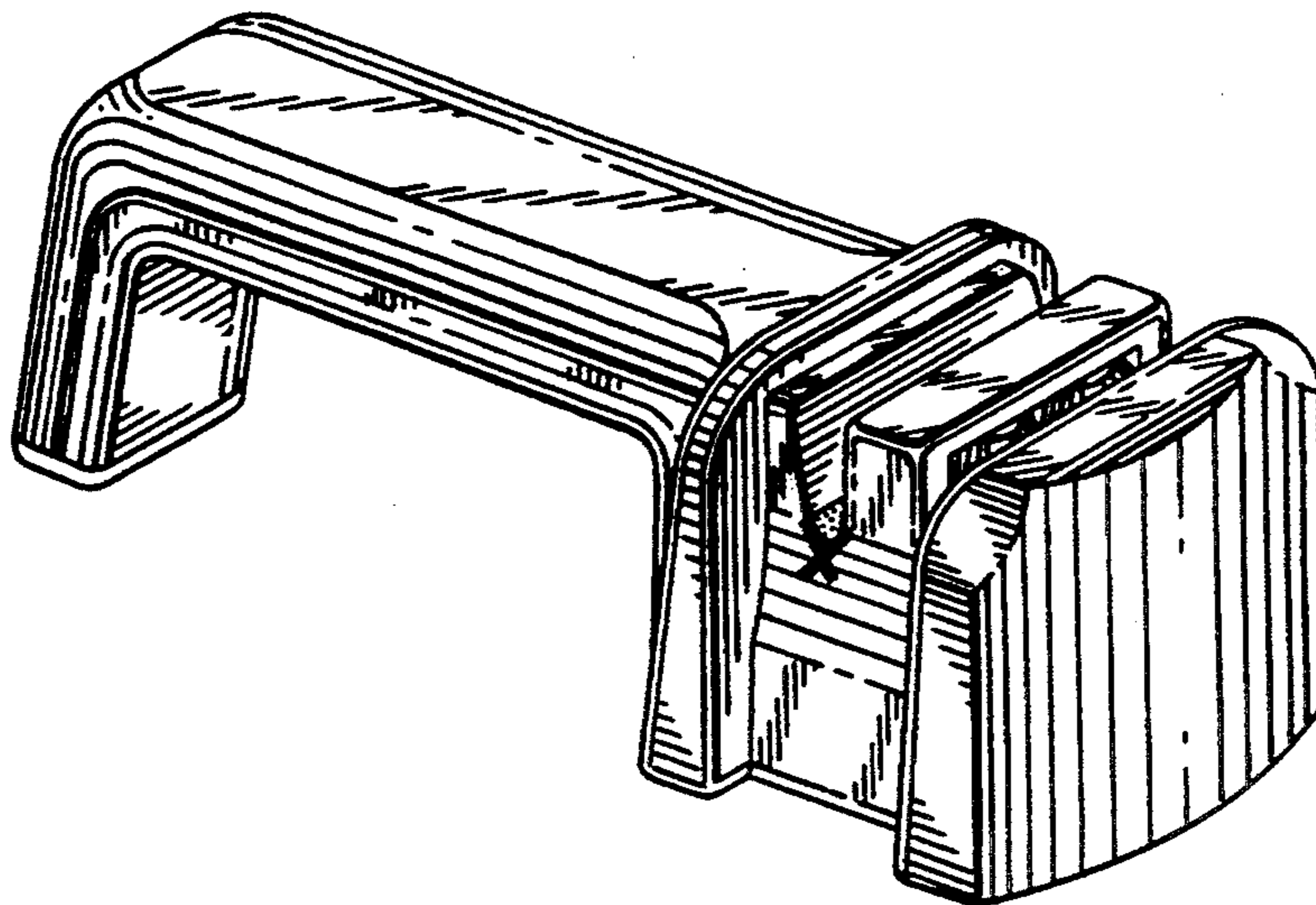
**DESCRIPTION**

FIG. 1 is a left side elevational view of a knife sharpener in accordance with this design, the right side elevational view is a mirror image thereof;  
FIG. 2 is a top plan view thereof;  
FIG. 3 is a bottom plan view thereof;  
FIG. 4 is a front elevational view thereof;  
FIG. 5 is a rear elevational view thereof;  
FIG. 6 is a cross-sectional view taken through FIG. 1 along the line 6—6; and,  
FIG. 7 is a perspective view thereof.

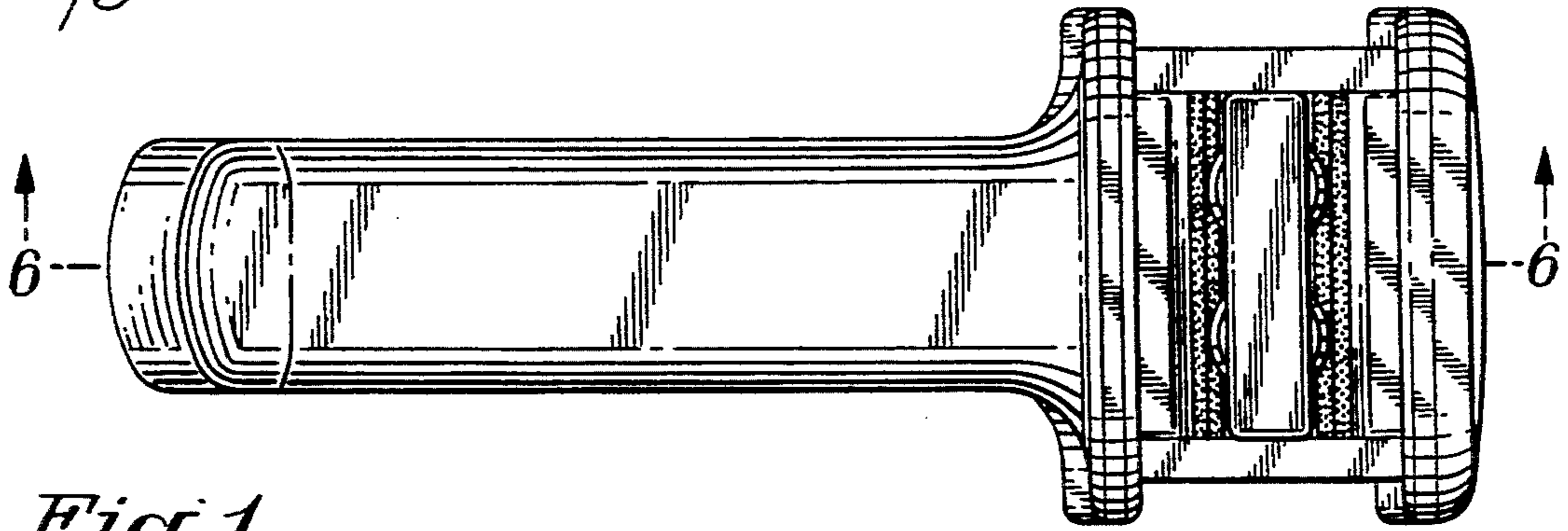
[56] **References Cited**

**U.S. PATENT DOCUMENTS**

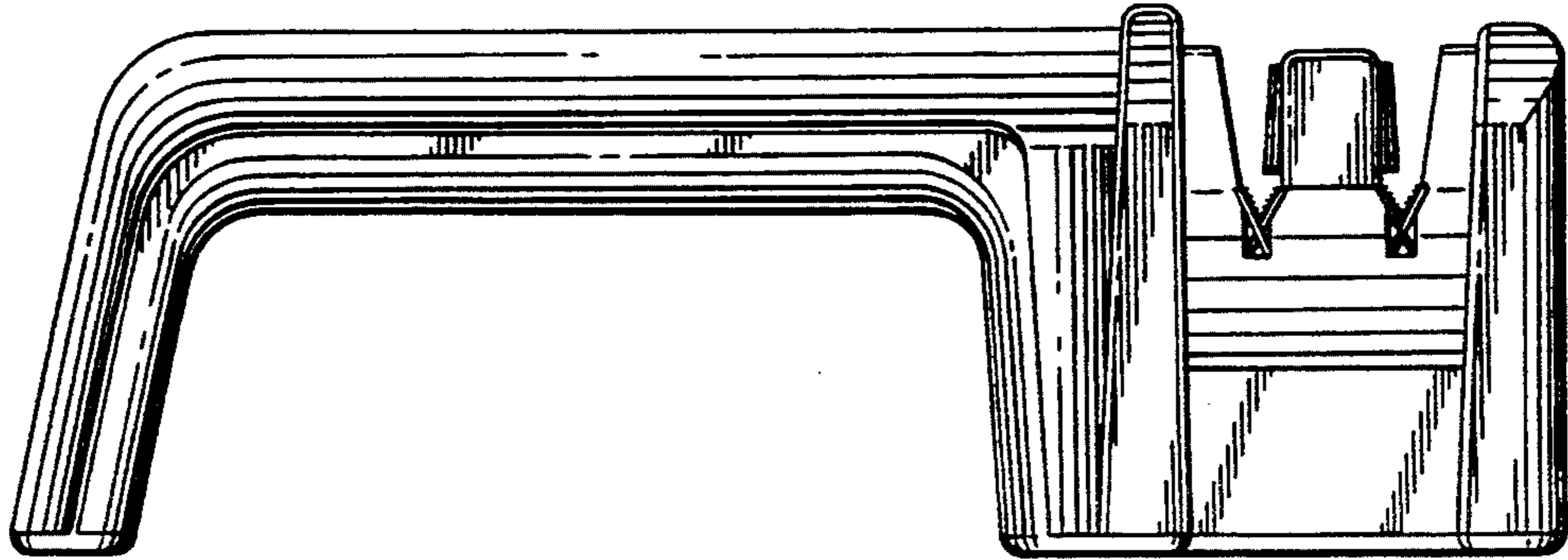
D. 149,342	4/1948	Davis	.....	D8/93
D. 183,530	9/1958	Lamb	.....	D8/93
D. 184,423	2/1959	Curley, Sr.	.....	D8/93
D. 269,940	8/1983	Hirosawa	.....	D8/93
D. 276,886	12/1984	Carter	.....	D8/93
D. 299,308	1/1989	Prindle	.....	D8/93
D. 309,414	7/1990	Shimizu	.....	D8/93



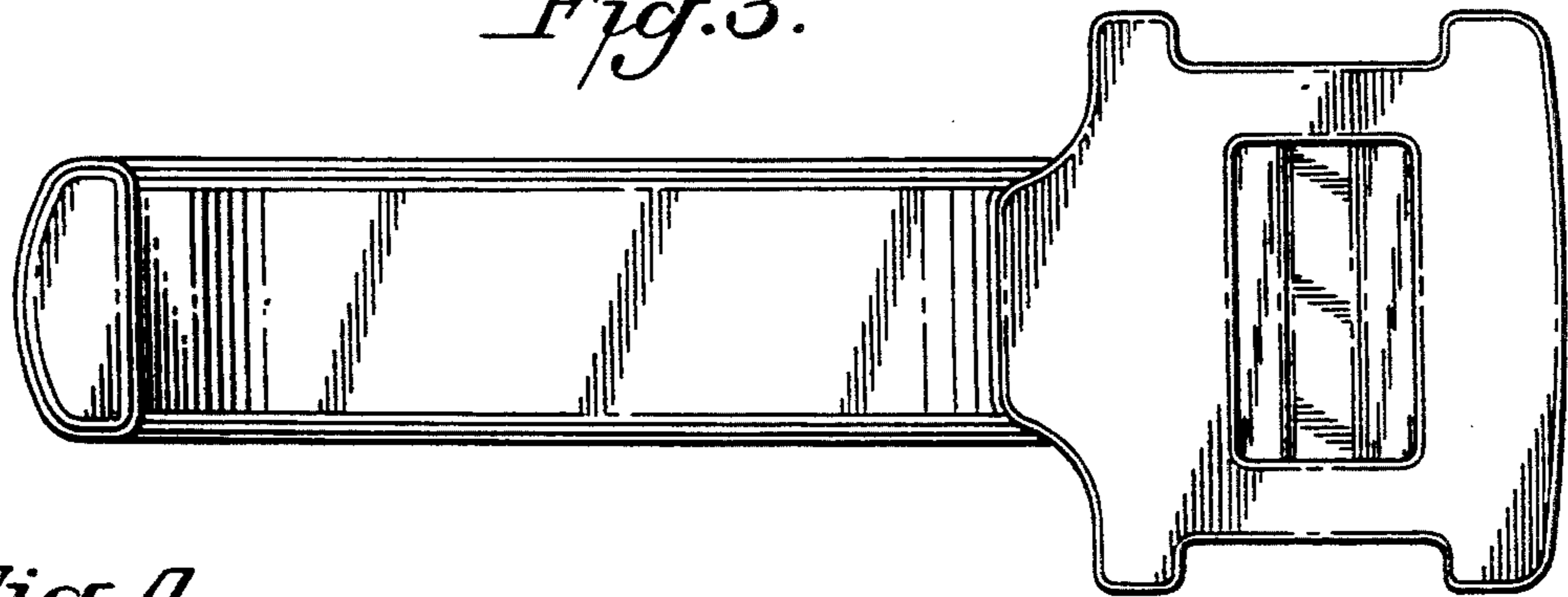
*Fig. 2.*



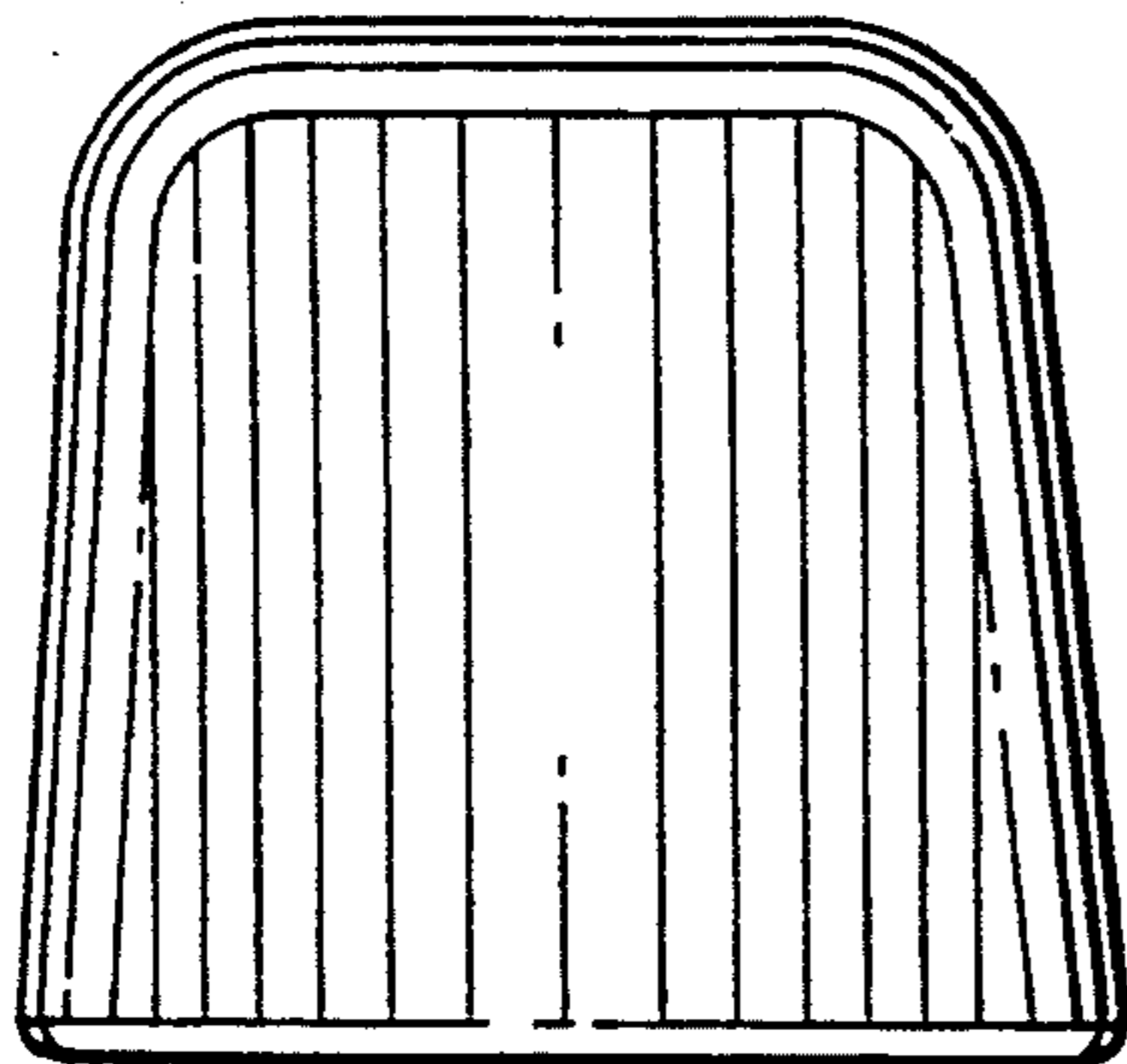
*Fig. 1.*



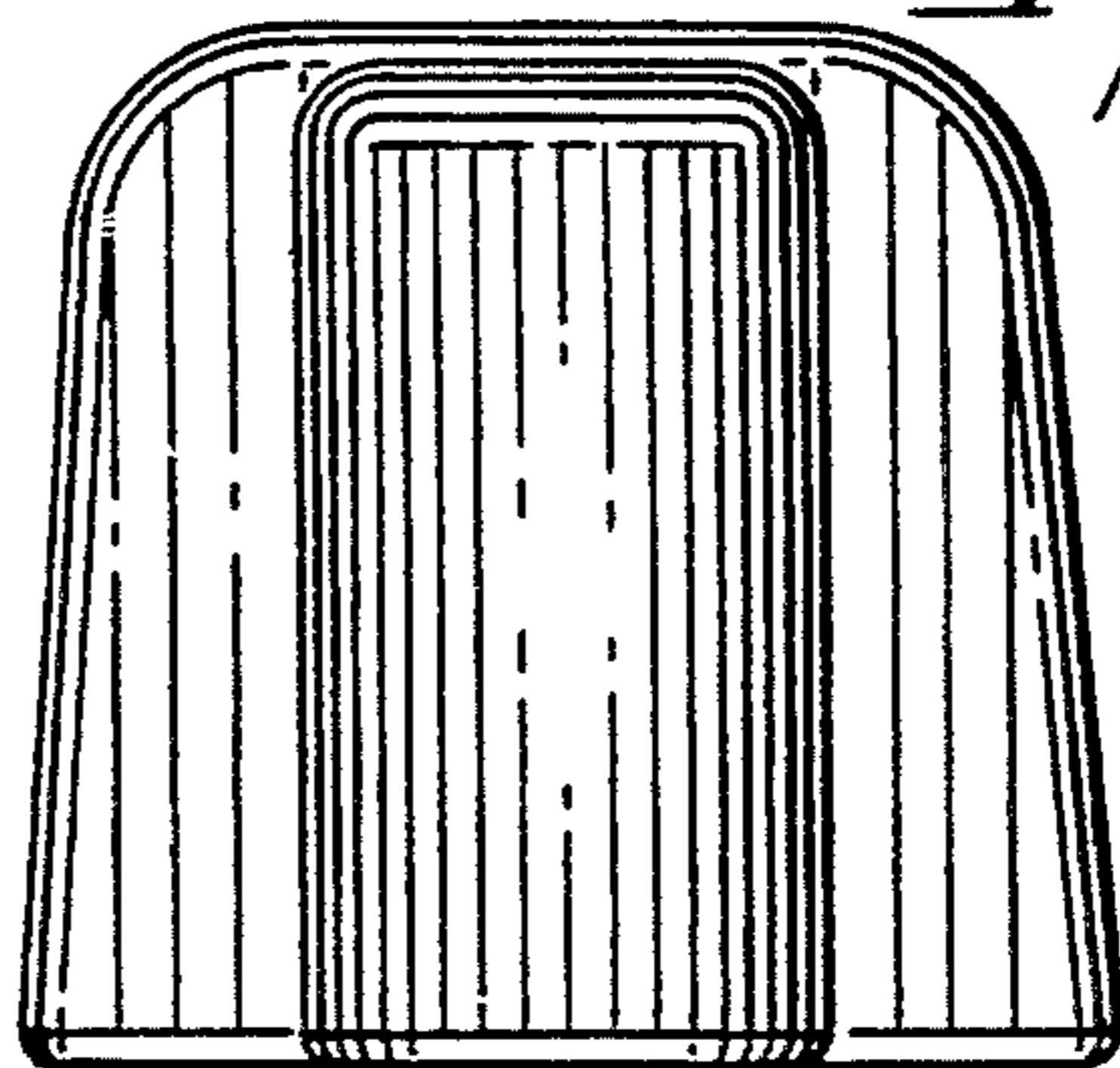
*Fig. 3.*



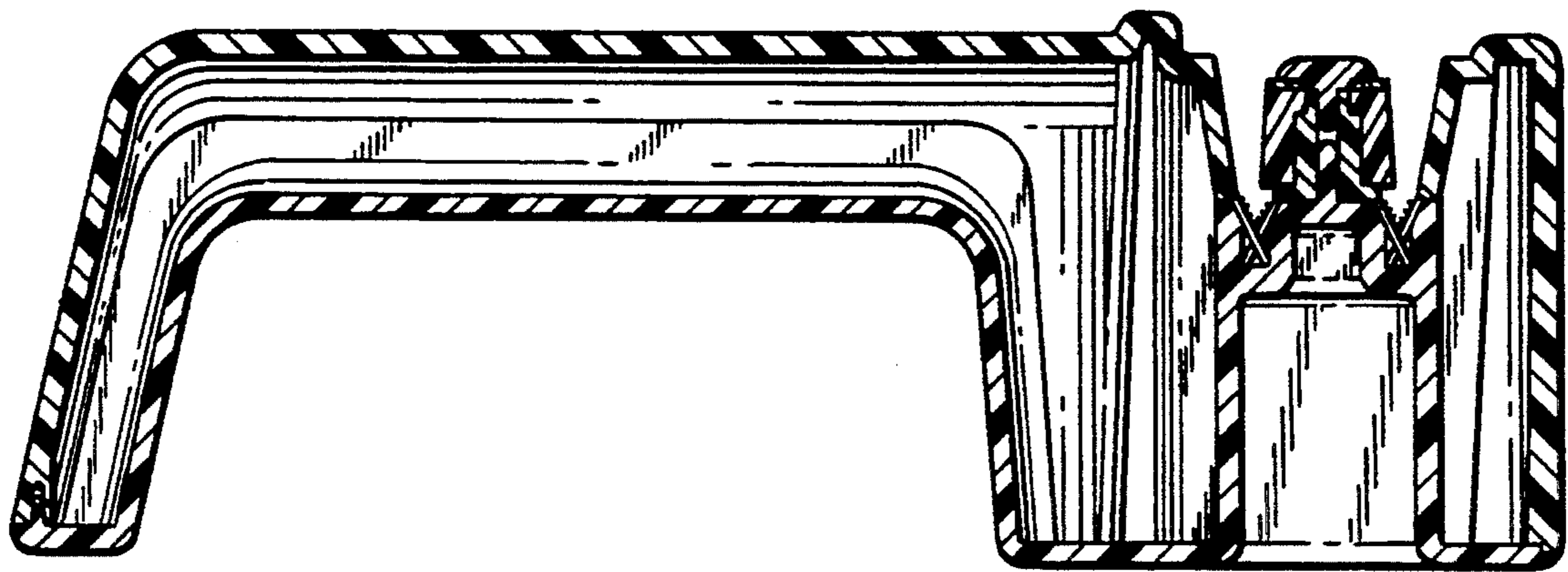
*Fig. 4.*



*Fig. 5.*



*Fig. 6.*



*Fig. 7.*

