



US00D357394S

United States Patent [19]

[11] Patent Number: **Des. 357,394**

Demers

[45] Date of Patent: **** Apr. 18, 1995**

[54] **CONTOUR SANDER**

3,034,267	5/1962	Feeney	51/391
5,131,193	7/1992	Demers	51/358
5,168,672	12/1992	Gregoire, Sr.	51/392

[76] Inventor: **Michael J. Demers**, 75 Cambridge St., Lawrence, Mass. 01843

Primary Examiner—Theodore M. Shooman
Assistant Examiner—Philip Hyder
Attorney, Agent, or Firm—Edward A. Gordon

[**] Term: **14 Years**

[21] Appl. No.: **9,131**

[57] **CLAIM**

[22] Filed: **Jun. 3, 1993**

The ornamental design for a contour sander, as shown and described.

[52] U.S. Cl. **D8/90**

[58] Field of Search D8/90, 91, 14; D25/121, D25/122, 124; 51/358, 359, 380, 391, 392

DESCRIPTION

[56] **References Cited**

U.S. PATENT DOCUMENTS

D. 336,027	6/1993	Demers	D8/90
D. 340,397	10/1993	Demers	D8/90
751,165	2/1904	Gessner	51/380
1,927,574	9/1933	Parks	51/392
2,454,668	11/1948	Nissenbaum	51/391
2,756,549	7/1956	Macullar	51/391

FIG. 1 is a perspective view of a contour sander showing my new design;

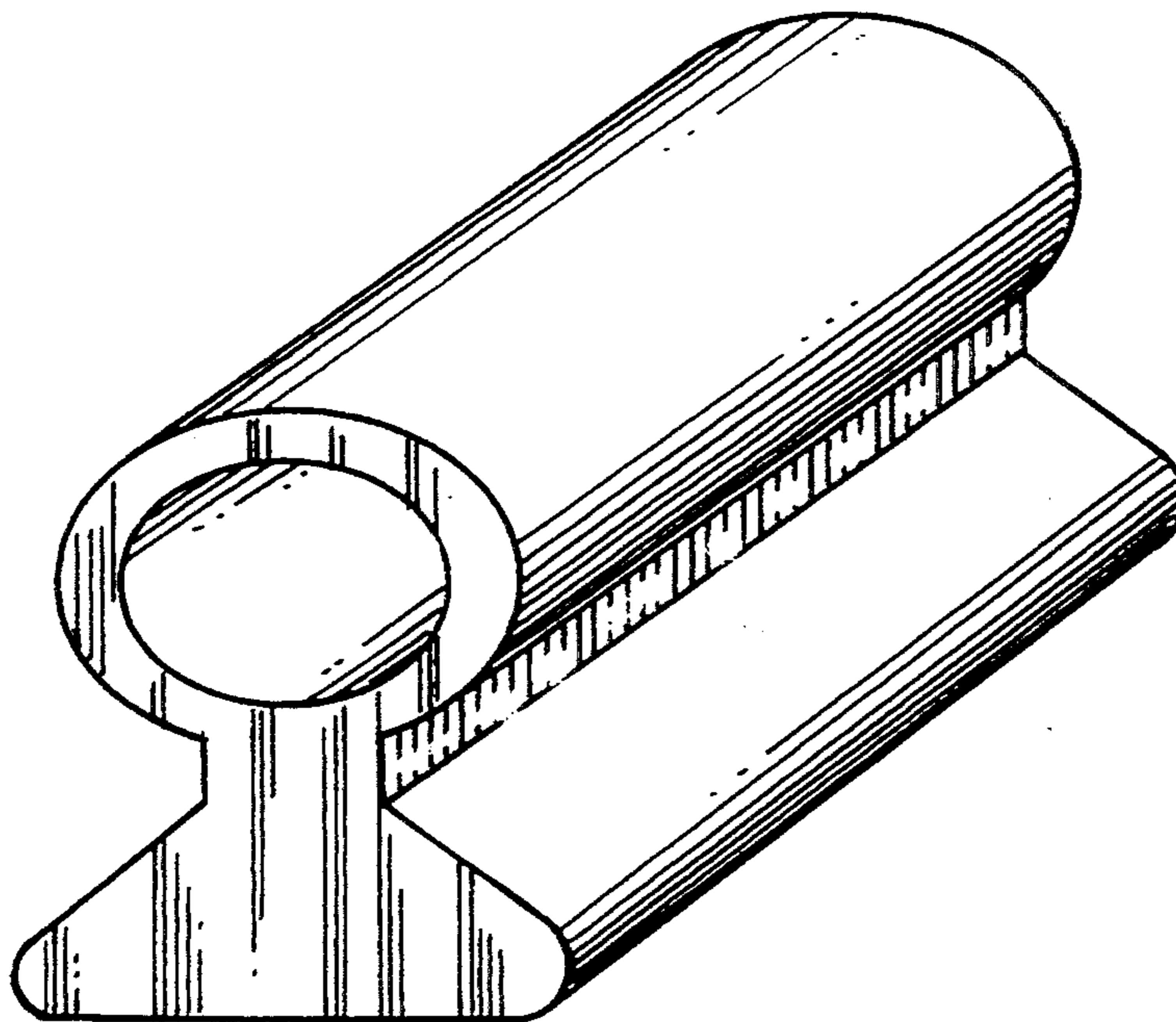
FIG. 2 is a side elevational view of the right side of FIG. 1;

FIG. 3 is a side elevational view of the left side of FIG. 1;

FIG. 4 is a front elevational view of FIG. 1;

FIG. 5 is a rear elevational view thereof; and,

FIG. 6 is a bottom plan view thereof.



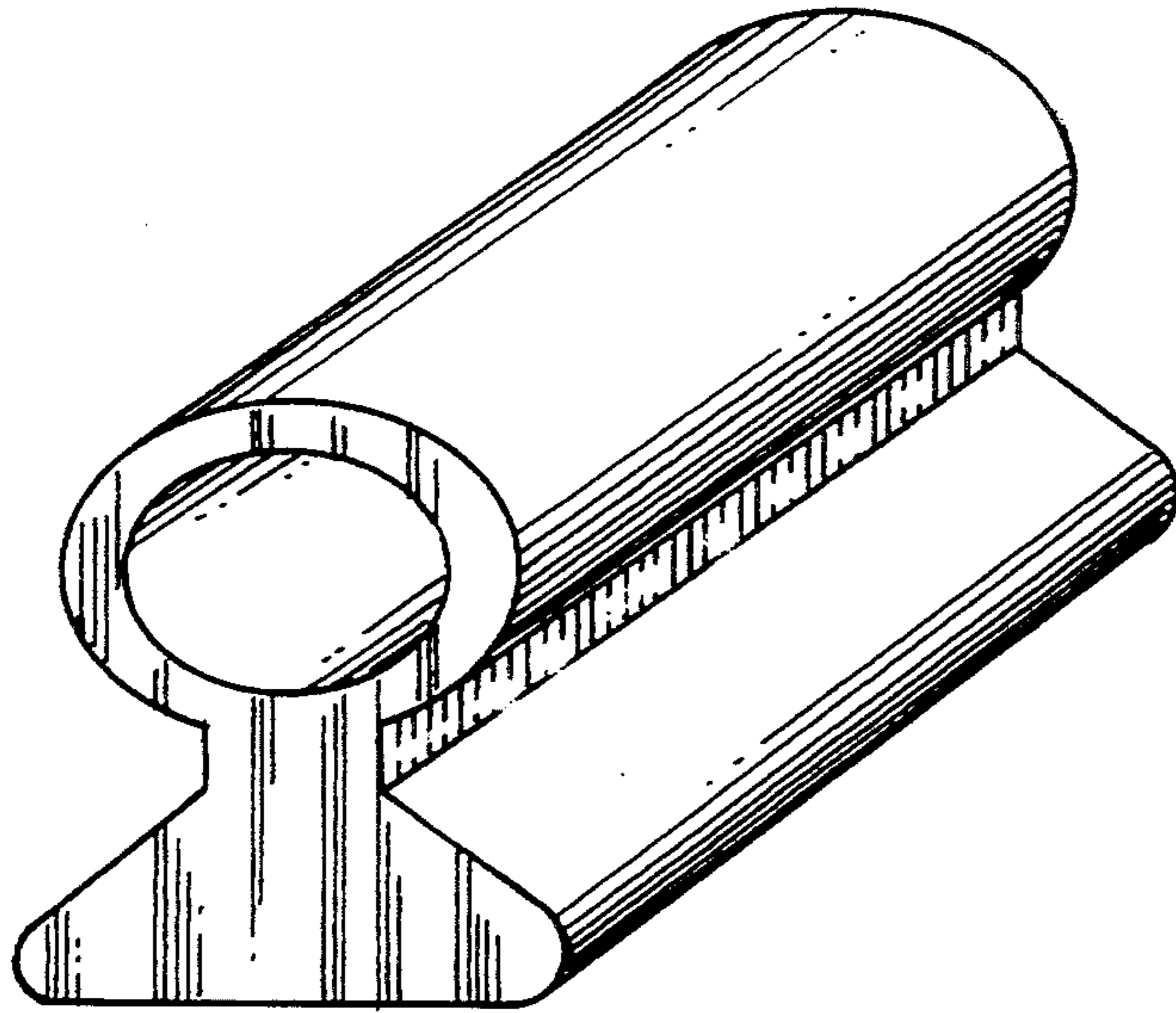


FIG. 1

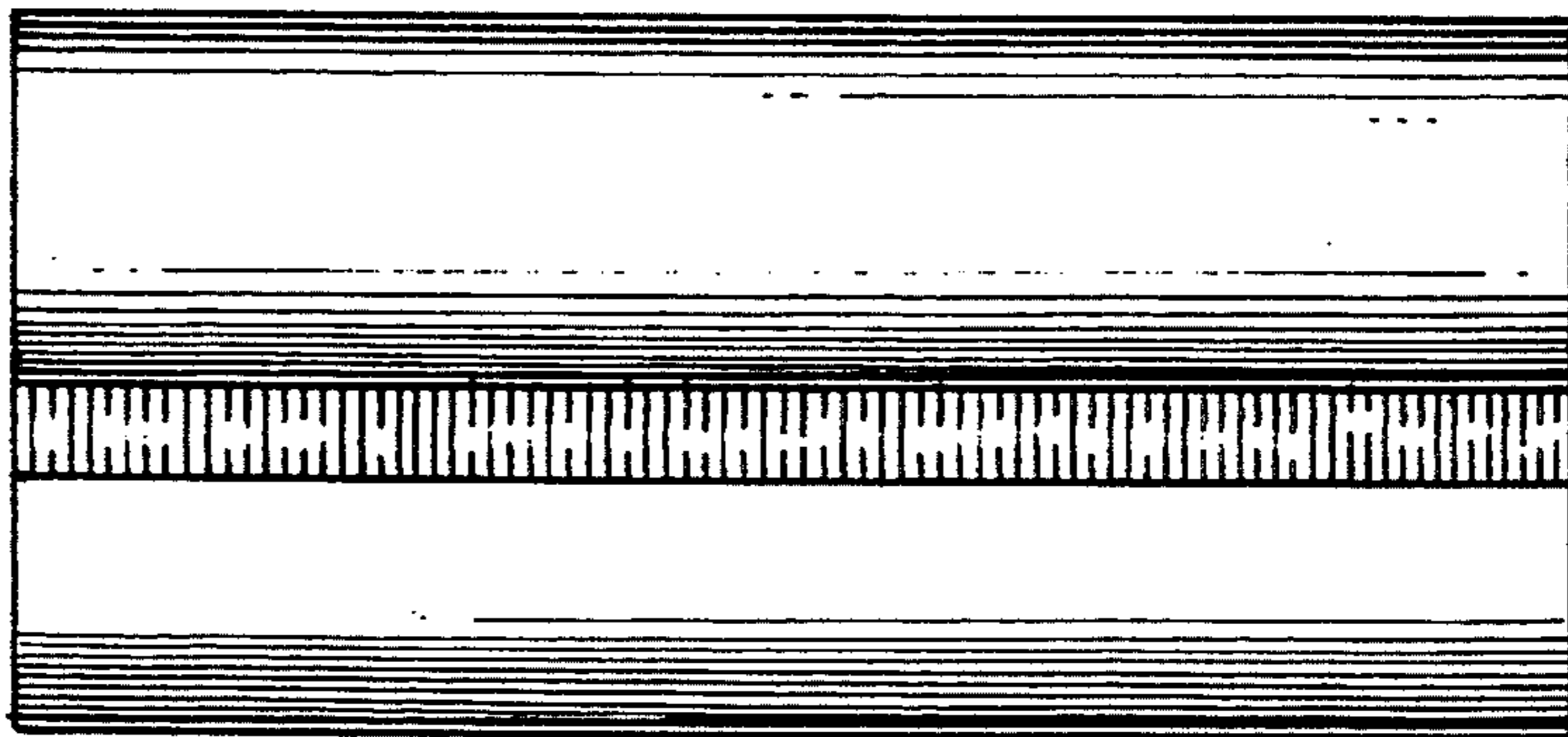


FIG. 2

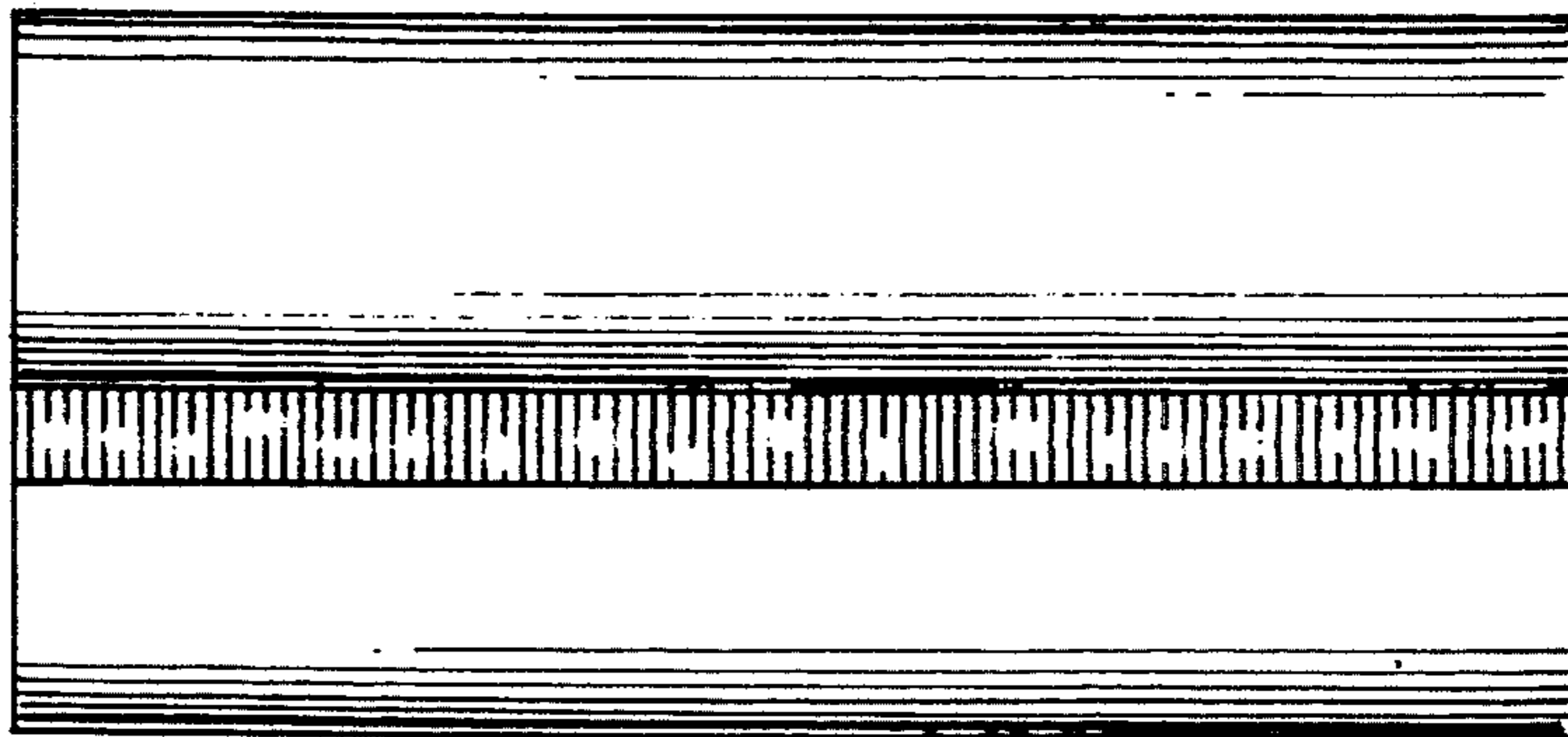


FIG. 3

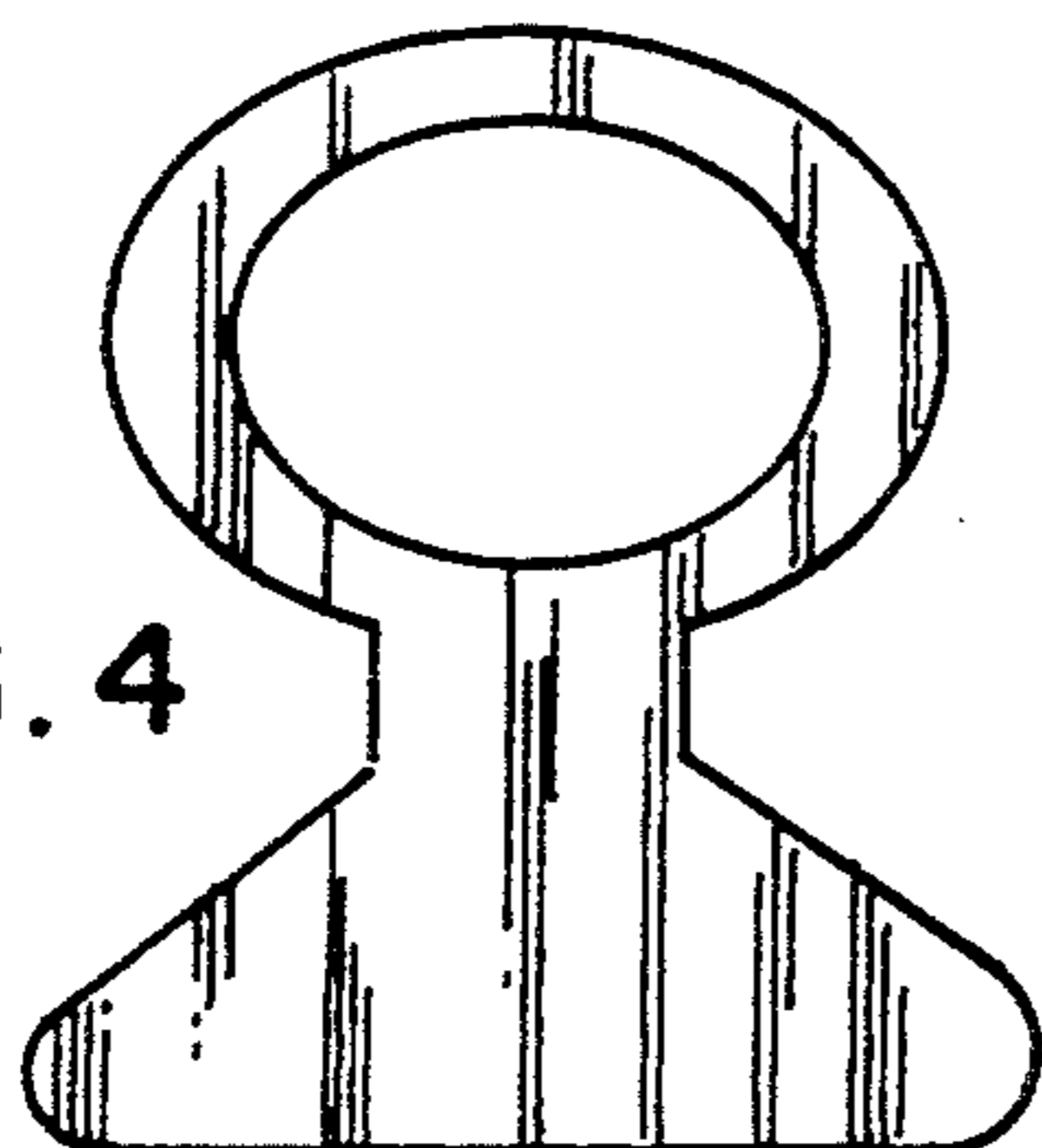


FIG. 4

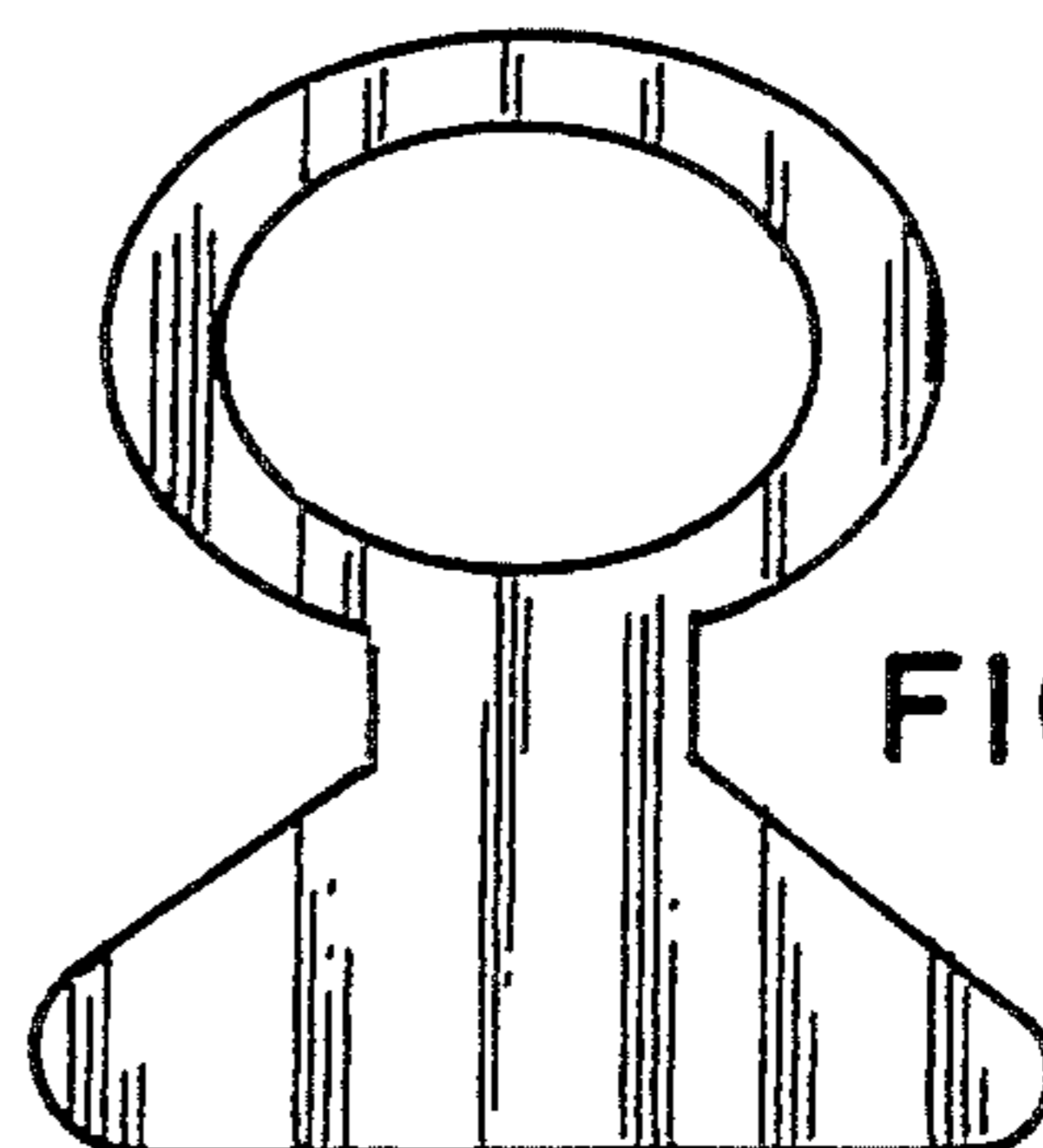


FIG. 5

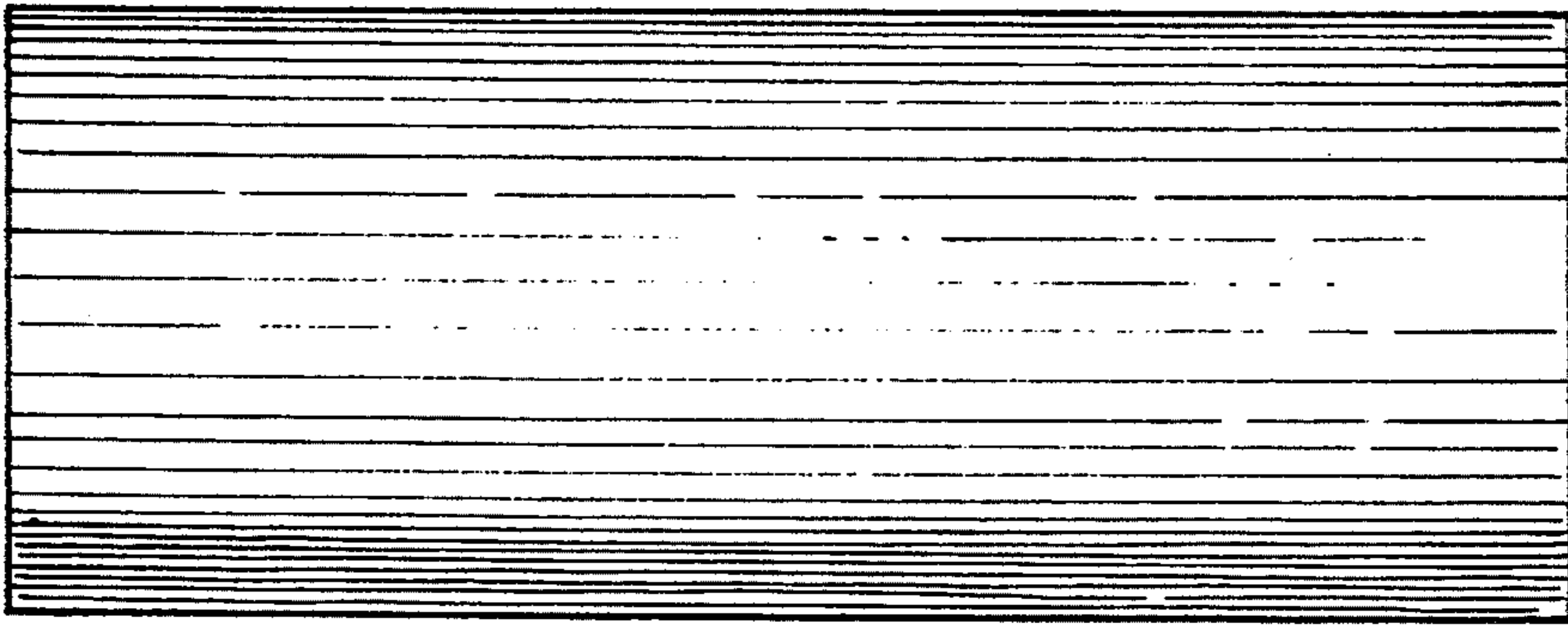


FIG. 6