



US00D357393S

United States Patent [19]

[11] Patent Number: **Des. 357,393**

Kazama et al.

[45] Date of Patent: **** Apr. 18, 1995**

[54] **PORTABLE BELT SANDER**

3,755,972	9/1973	Mogaki et al.	51/170 MT
4,854,085	8/1989	Huber	51/170 MT
4,986,036	1/1991	Hutchins	51/170 R

[75] Inventors: **Yasuo Kazama; Takashi Chiba**, both of Tokyo, Japan

[73] Assignee: **Nitto Kohki Co., Ltd.**, Tokyo, Japan

[**] Term: **14 Years**

[21] Appl. No.: **21,600**

[22] Filed: **Apr. 12, 1994**

[30] **Foreign Application Priority Data**

Oct. 19, 1993	[JP]	Japan	5-31529
[52]	U.S. Cl.		D8/62
[58]	Field of Search	D8/62; 51/170 T, 170 R, 51/170 EB, 170 MT	

[56] **References Cited**

U.S. PATENT DOCUMENTS

D. 255,319	6/1980	Schultz et al.	D8/62
D. 286,737	11/1986	House, II et al.	D8/62
D. 303,206	9/1989	Yother et al.	D8/62
D. 305,721	1/1990	Fushiya et al.	D8/62
D. 323,099	1/1992	Sakamoto et al.	D8/62
D. 335,618	5/1993	Mogaki	D8/62

Primary Examiner—Alan P. Douglas
Assistant Examiner—Jeffry H. Musgrove
Attorney, Agent, or Firm—Wenderoth, Lind & Ponack

[57] **CLAIM**

The ornamental design for portable belt sander, as shown and described.

DESCRIPTION

FIG. 1 is a perspective view taken from the top, front and left side of the portable belt sander embodying our new design;

FIG. 2 is a front view thereof;

FIG. 3 is a top view thereof;

FIG. 4 is a bottom plan view thereof;

FIG. 5 is a rear view thereof;

FIG. 6 is a left side view thereof;

FIG. 7 is a right side view thereof;

FIG. 8 is a front view showing the guide plate in the downward position; and,

FIG. 9 is a side view showing the guide plate in the downward position.

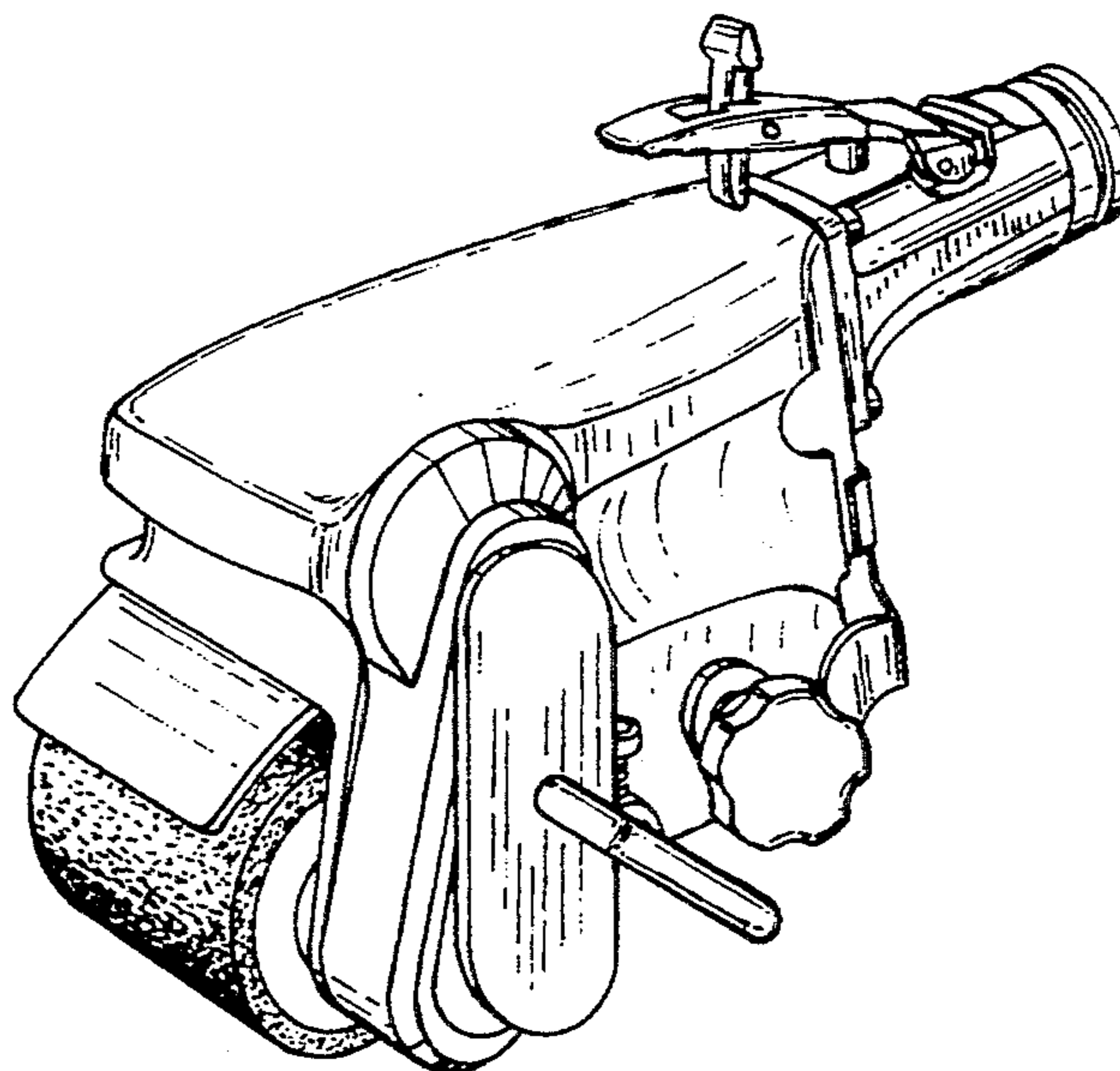


FIG. 1

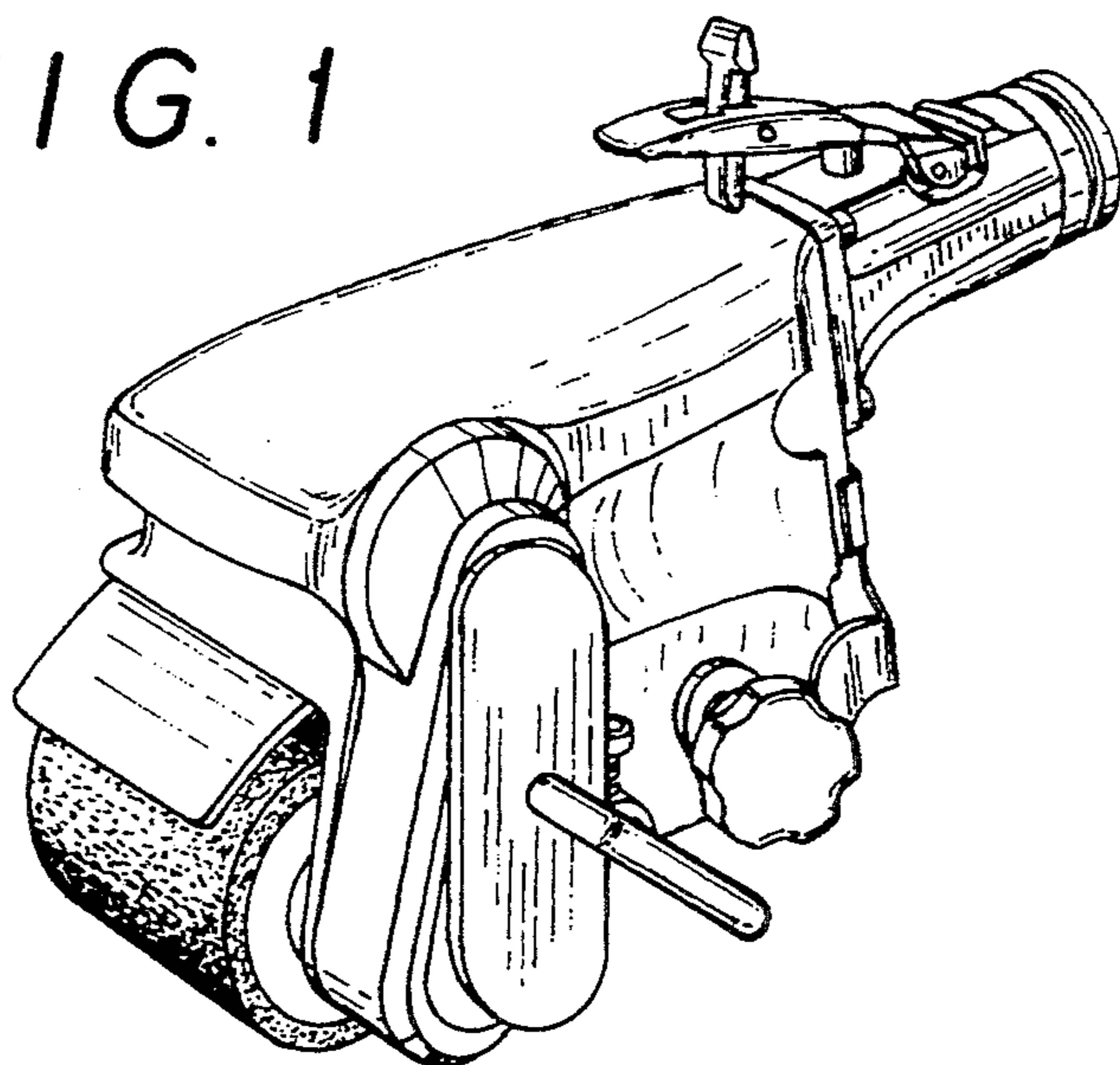


FIG. 2

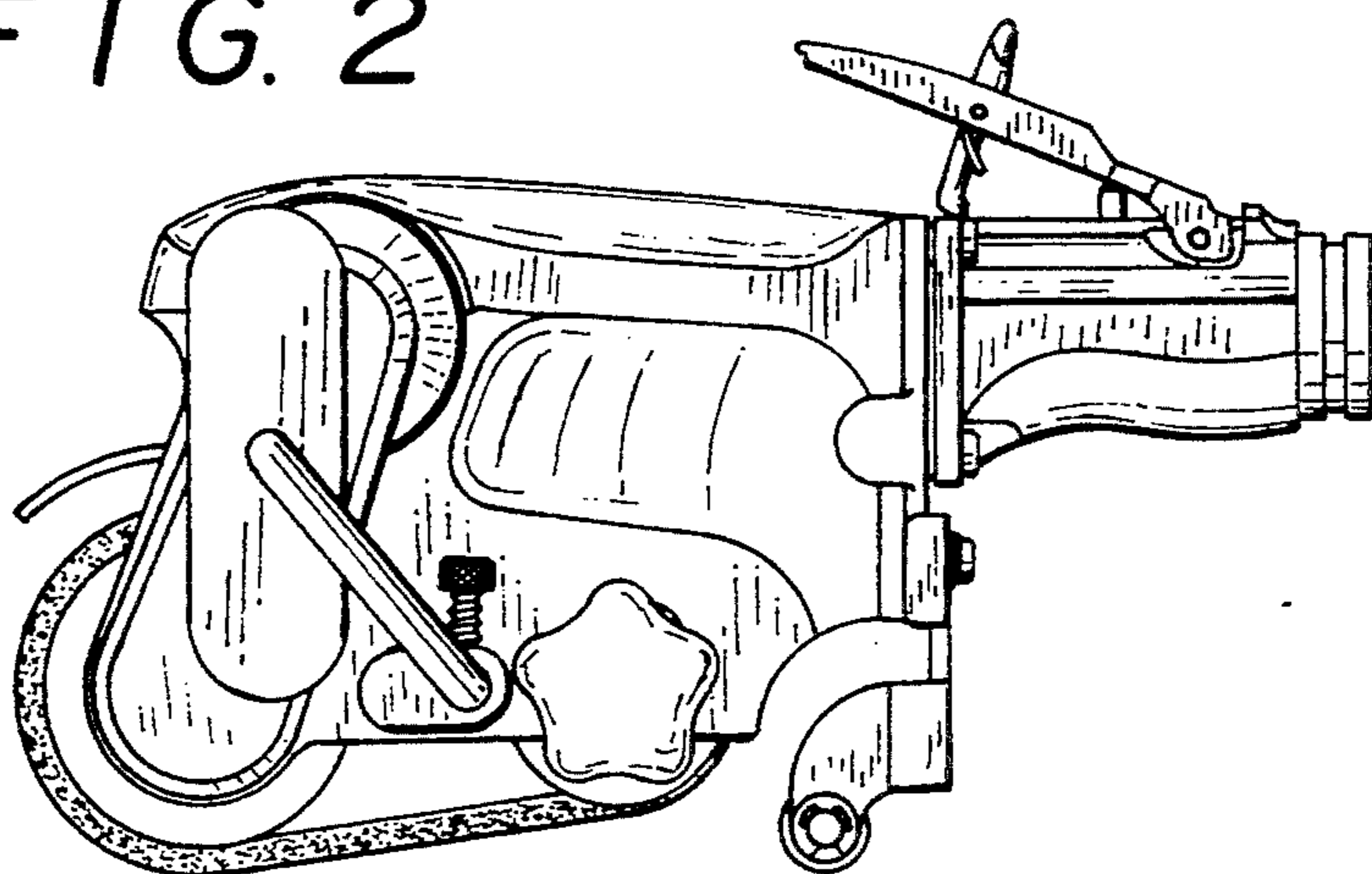


FIG. 3

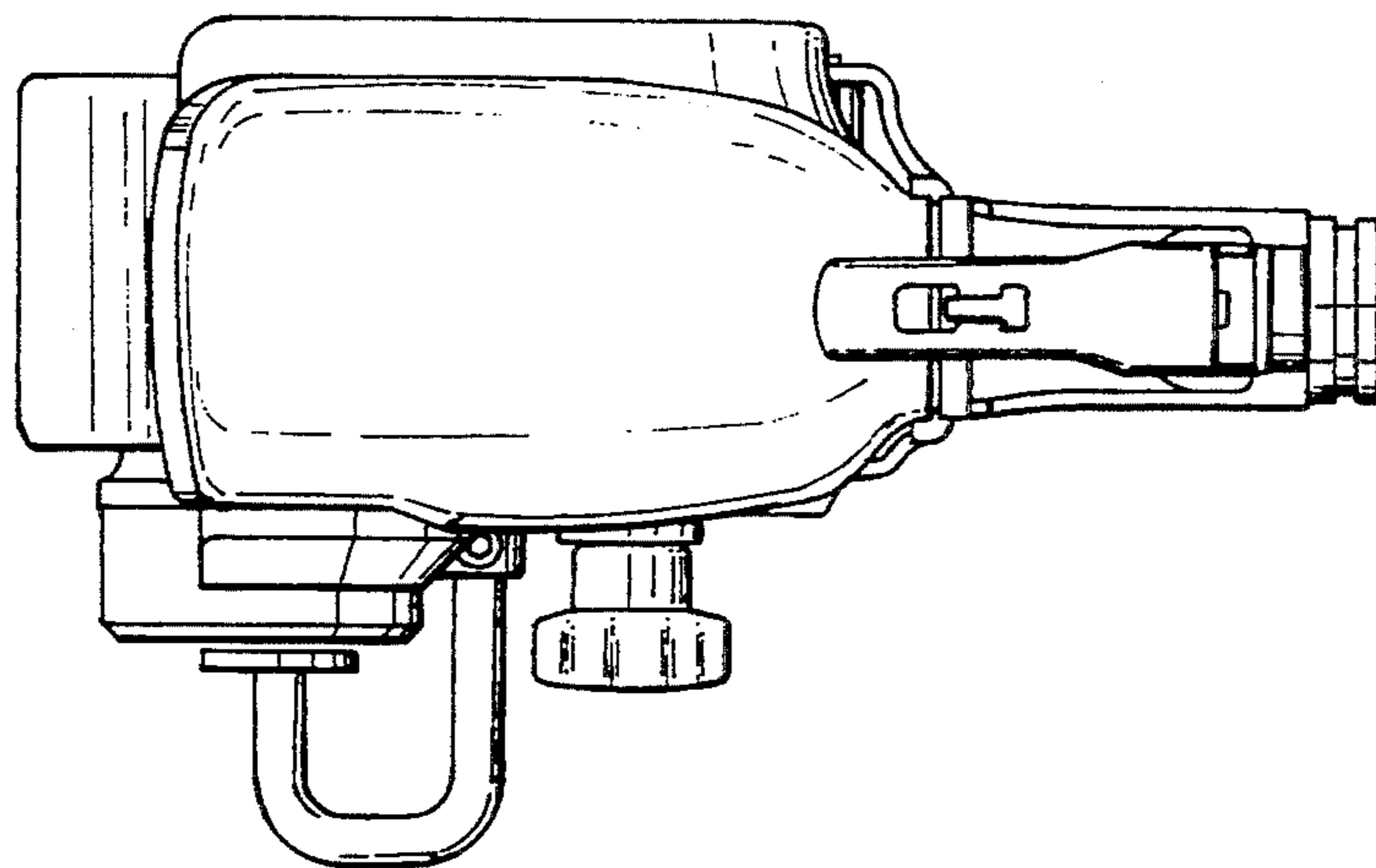


FIG. 4

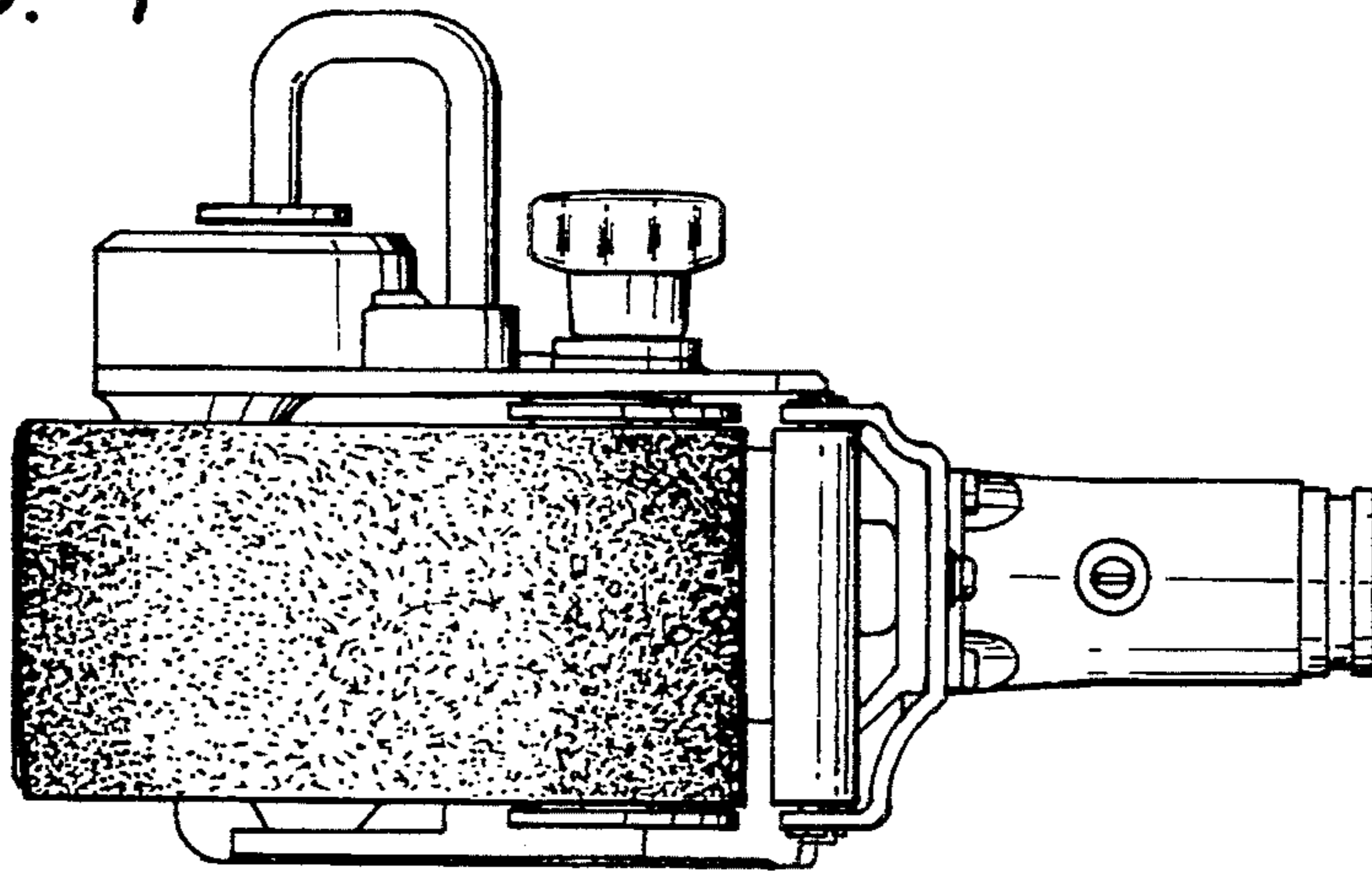


FIG. 5

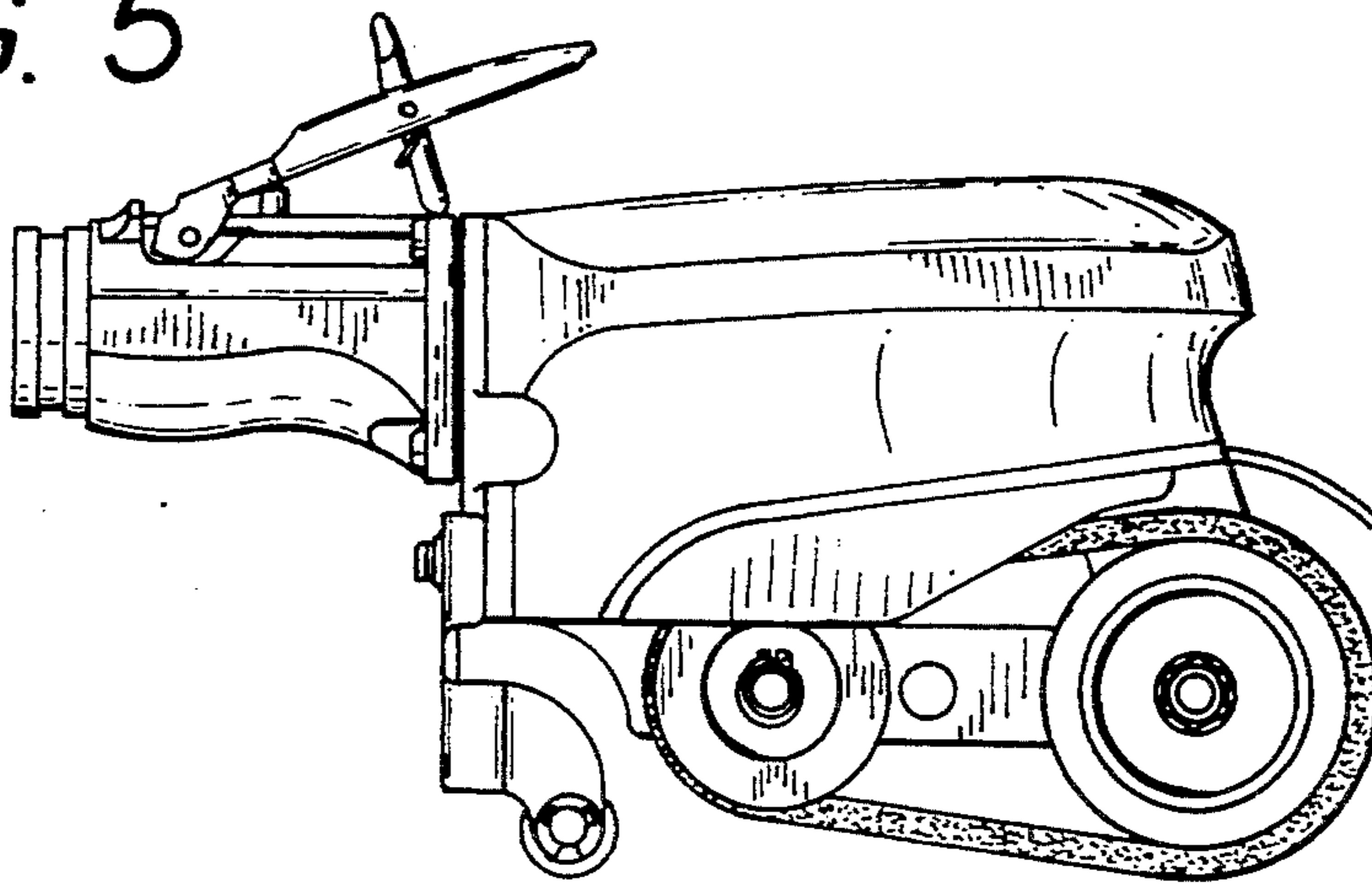


FIG. 6

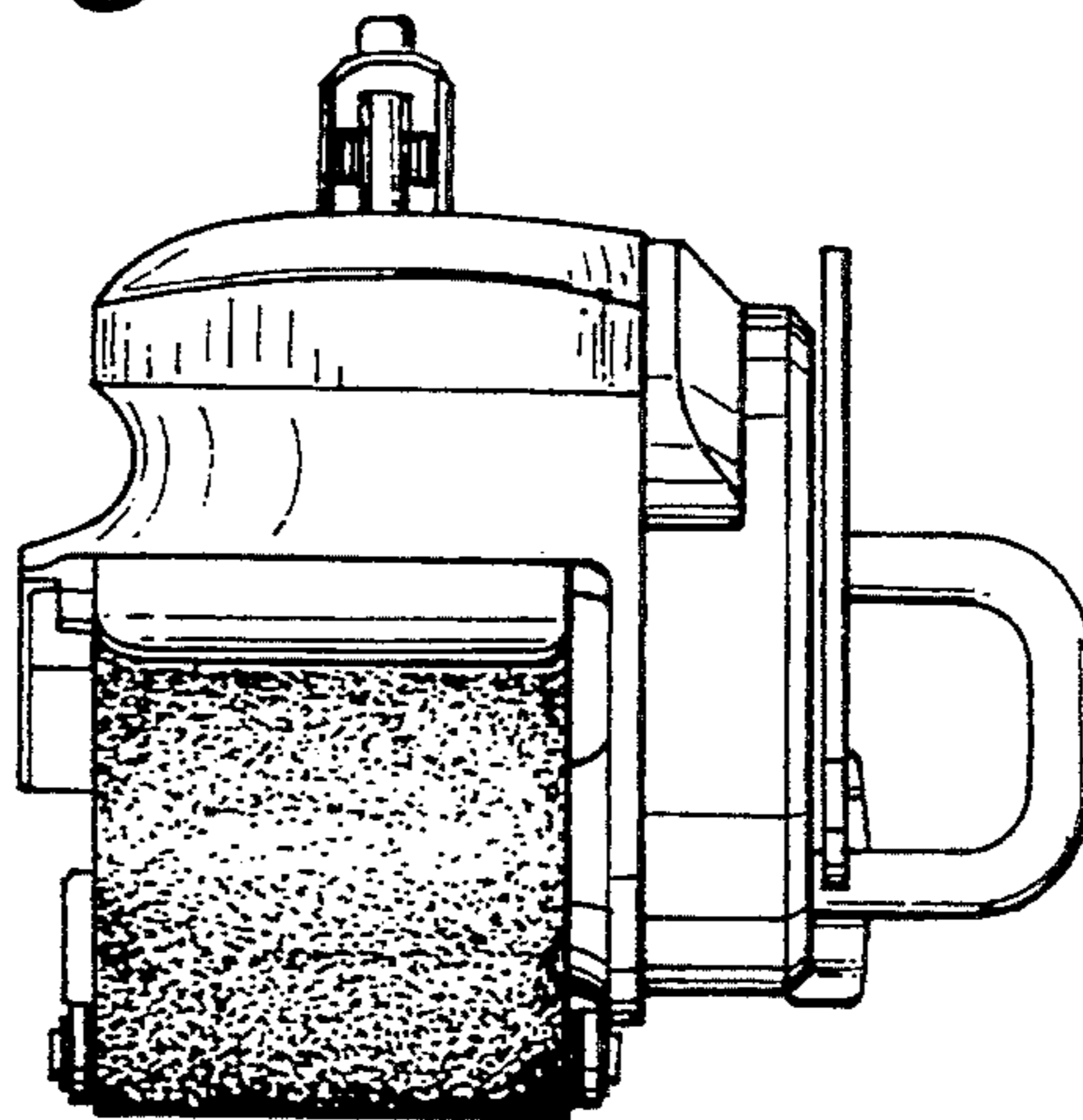


FIG. 7

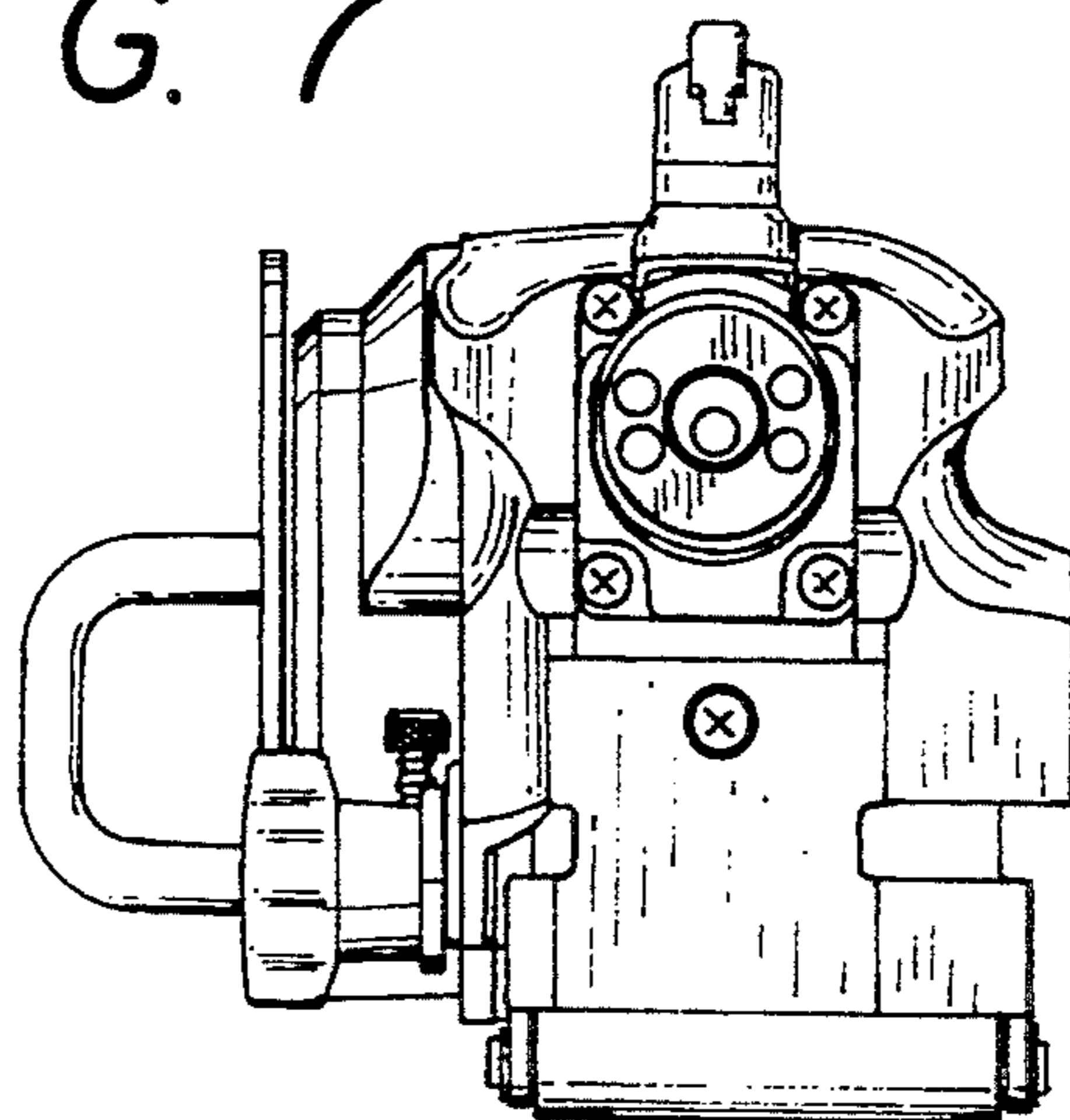


FIG. 8

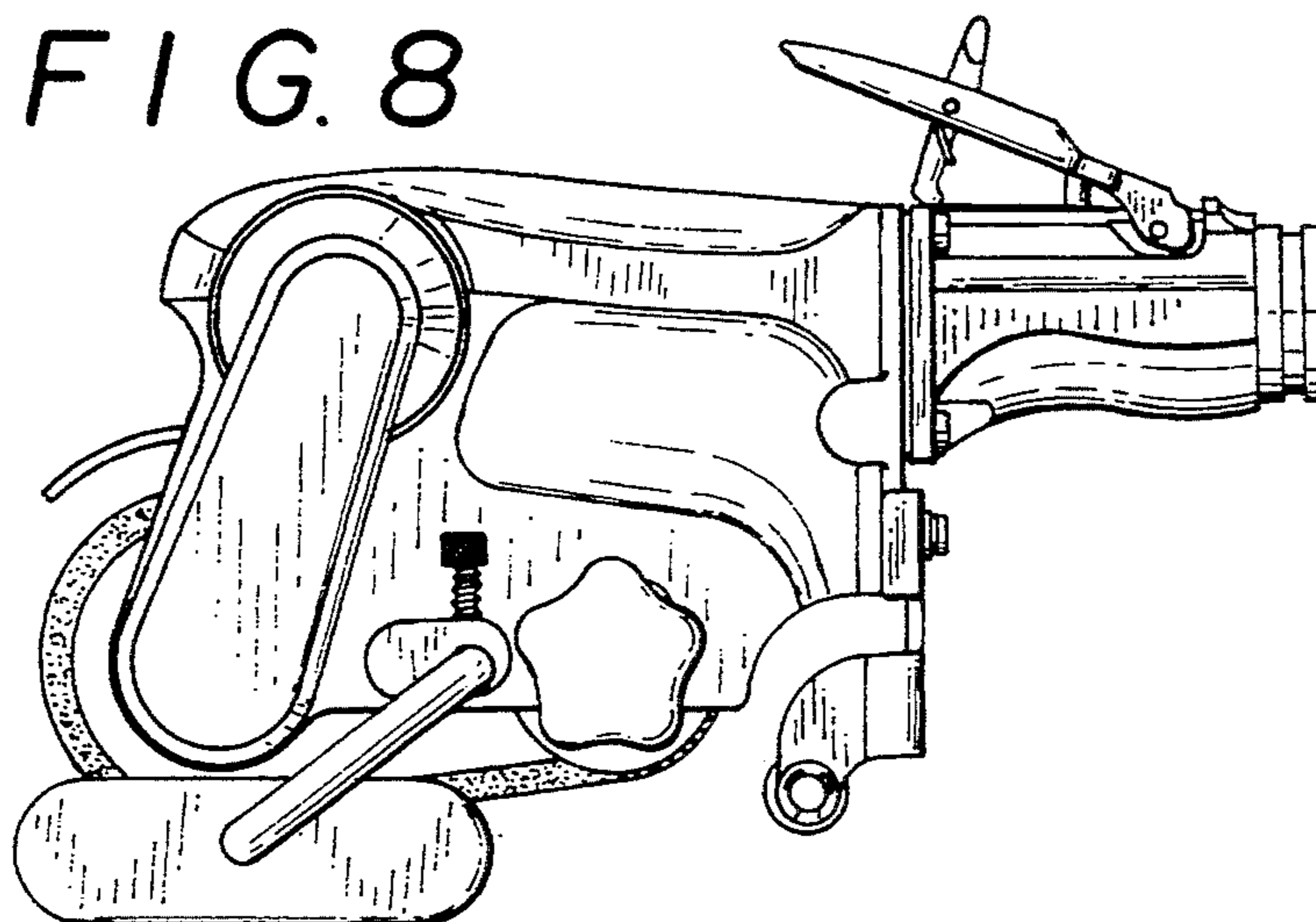


FIG. 9

