



US00D357392S

United States Patent [19]

[11] Patent Number: **Des. 357,392**

Kimpel et al.

[45] Date of Patent: **** Apr. 18, 1995**

[54] **CO₂-POWERED GREASE GUN**

4,219,131	8/1980	Funderburgh	222/256 X
4,338,066	7/1982	Luker .	
4,838,866	6/1989	Marshall .	
4,946,077	8/1990	Olsen	222/256
5,199,614	4/1993	Husman	222/256

[76] Inventors: **Joseph A. Kimpel**, 721 E. Lincoln St., Mt. Pleasant, Mich. 48858; **Larry A. Kimpel**, 341 S. Elmont, Apache Jct., Ariz. 85220

Primary Examiner—Alan P. Douglas
Assistant Examiner—Antoine D. Davis
Attorney, Agent, or Firm—Terry M. Gernstein

[**] Term: **14 Years**

[21] Appl. No.: **17,218**

[57] **CLAIM**

[22] Filed: **Jan. 10, 1994**

The ornamental design for a CO₂-powered grease gun, as shown and described.

[52] U.S. Cl. **D8/14.1; D15/150**

[58] Field of Search **D8/14.1; D9/302; D15/150-152; 222/251, 255, 323, 324, 386, 387, 388, 389, 390, 391, 392, 393, 397**

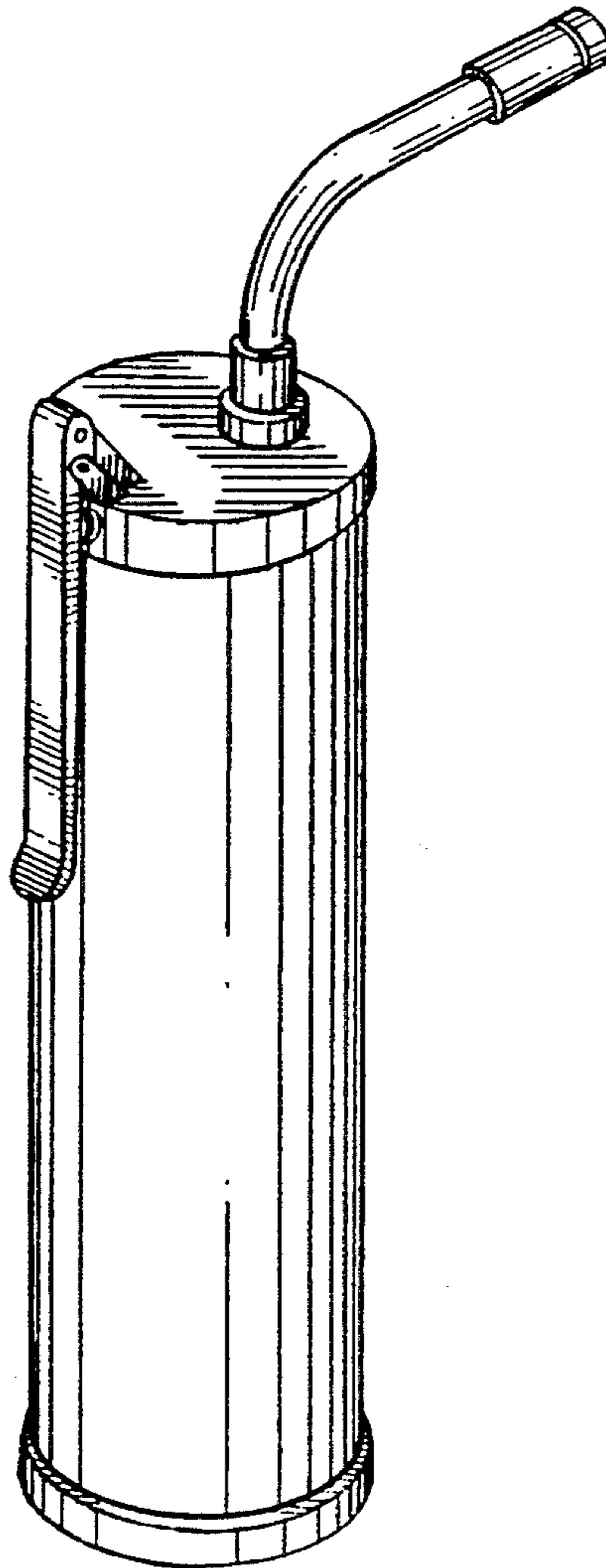
DESCRIPTION

[56] **References Cited**

U.S. PATENT DOCUMENTS

D. 206,282	11/1966	Sundholm	D8/14.1
D. 295,599	5/1988	Shew	D8/14.1
1,692,423	11/1928	Shere	222/256
3,999,898	12/1976	Chomczyk .	

FIG. 1 is a front, top and side perspective view of the CO₂-powered grease gun showing our new design; FIG. 2 is a front elevational view thereof; FIG. 3 is a rear elevational view thereof; FIG. 4 is a side elevational view thereof, the side opposite being a mirror image of the side shown in FIG. 4; FIG. 5 is a top plan view thereof; and, FIG. 6 is a bottom plan view thereof.



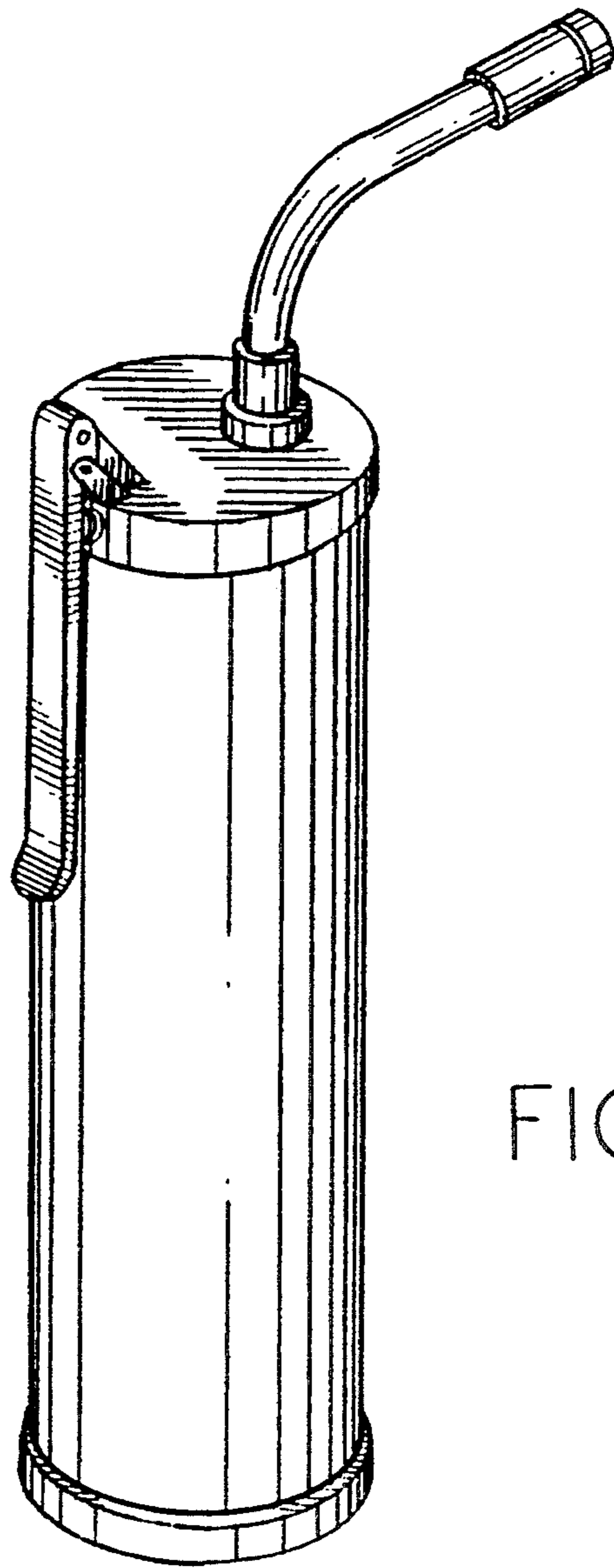


FIG.1.

FIG.6.

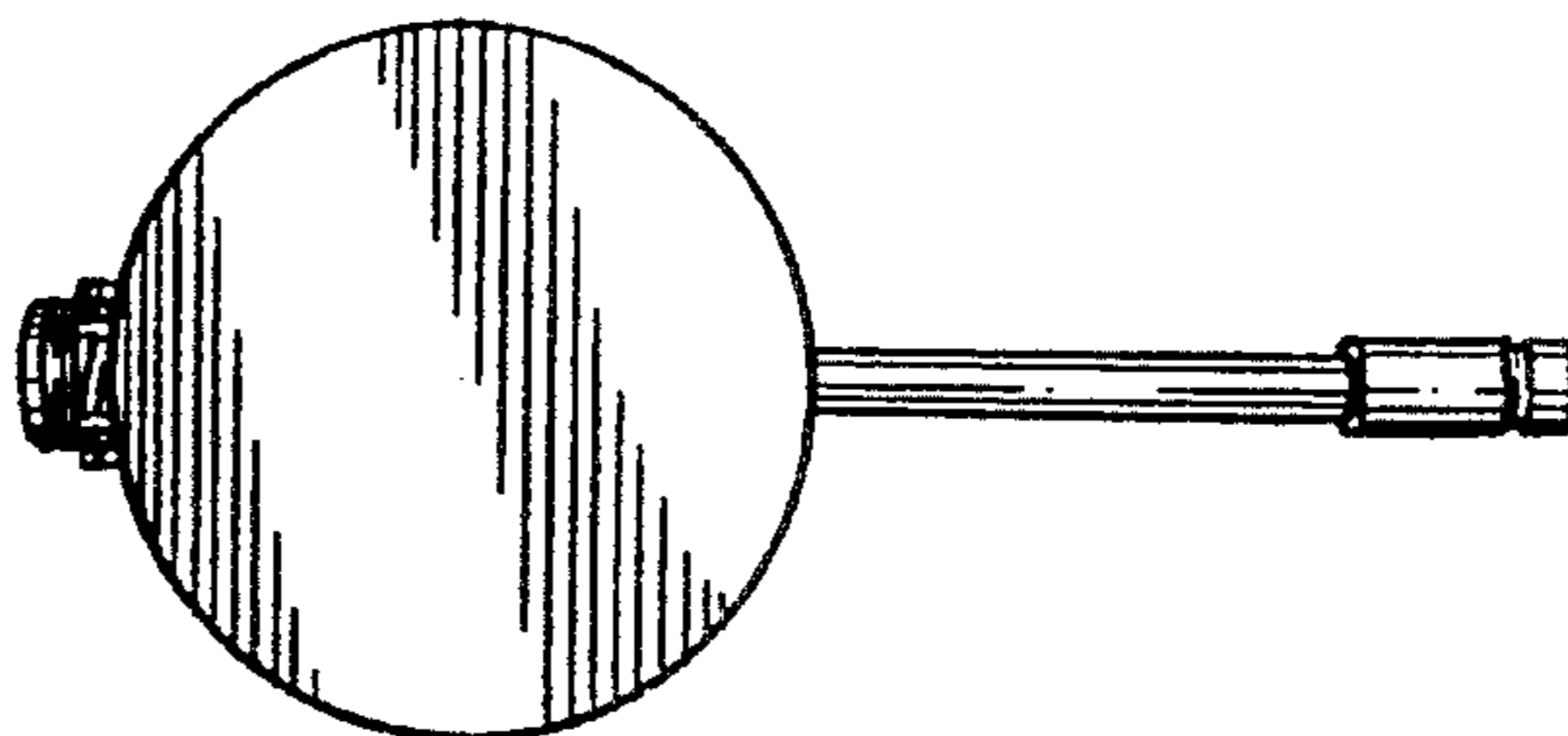


FIG.4.

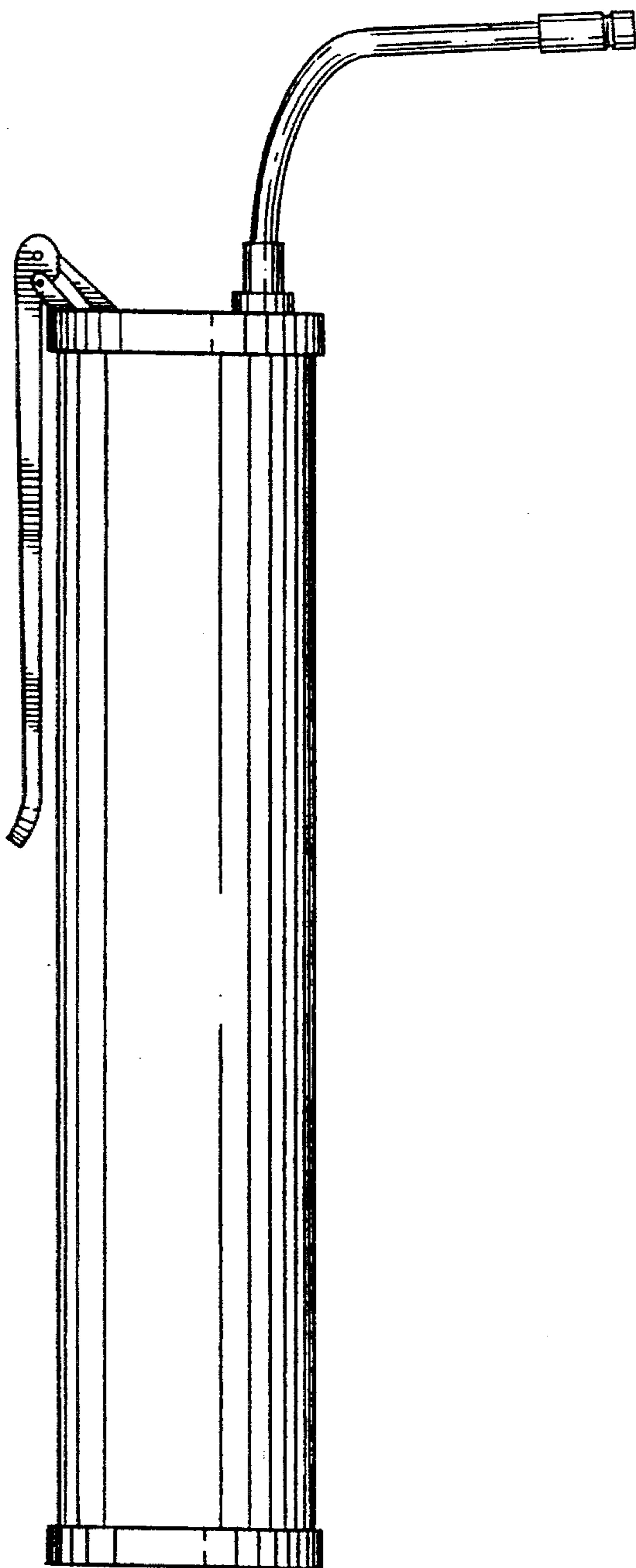
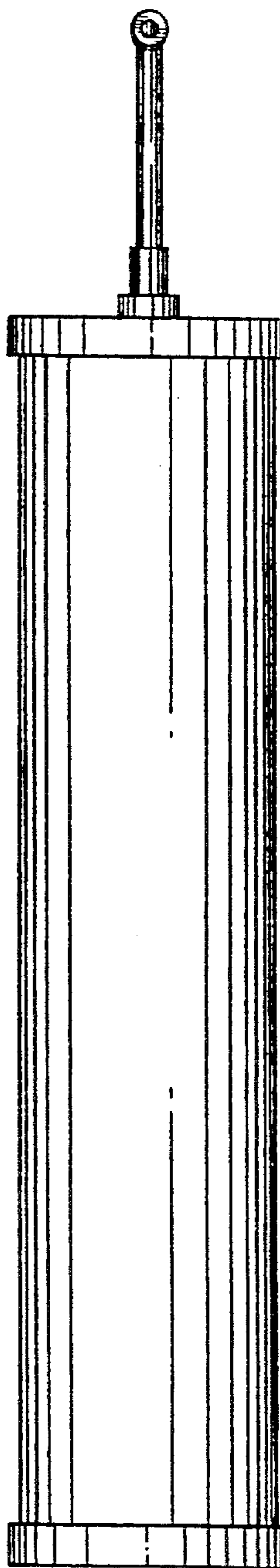


FIG.2.



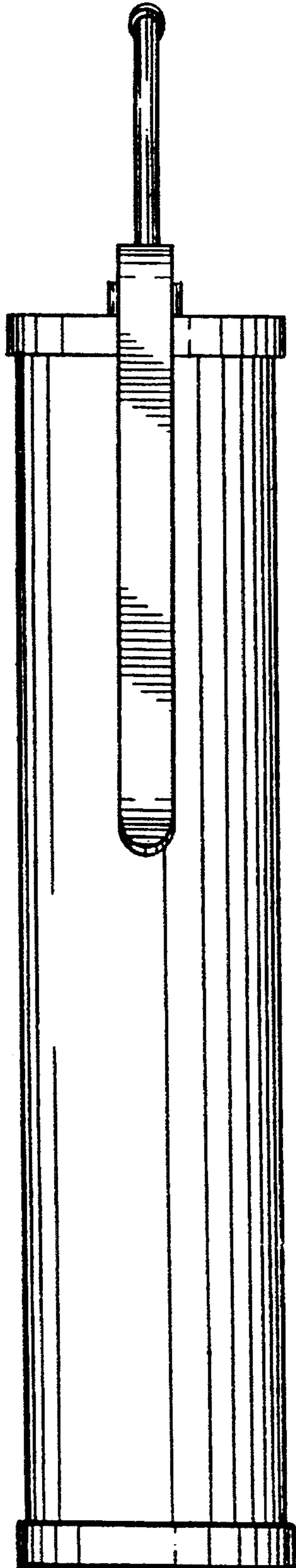


FIG. 3.

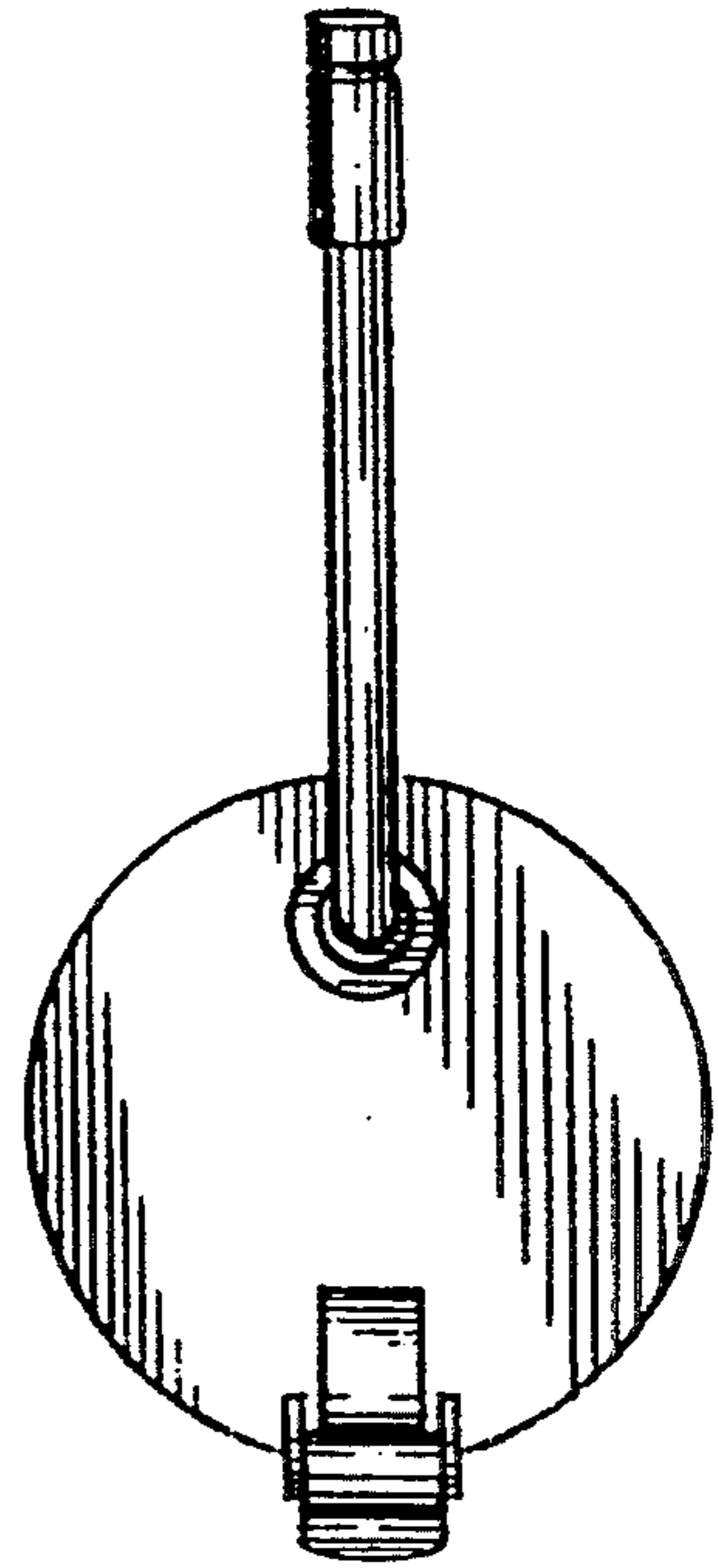


FIG. 5.