



US00D357390S

United States Patent [19]

[11] Patent Number: **Des. 357,390**

Thompson et al.

[45] Date of Patent: **** Apr. 18, 1995**

[54] LOPPING SHEAR

[75] Inventors: **Alex Thompson**, Manhattan Beach;
Frederick P. Paretta, Riverside;
William E. Gagner, Corona, all of Calif.

[73] Assignee: **Harrow Products, Inc.**, Grand Rapids, Mich.

[**] Term: **14 Years**

[21] Appl. No.: **17,314**

[22] Filed: **Jan. 10, 1994**

[52] U.S. Cl. **D8/5**

[58] Field of Search **D8/5; 30/260-262, 30/251-252, 254**

[56] References Cited

U.S. PATENT DOCUMENTS

D. 320,333	10/1991	Grove	D8/5
D. 344,218	2/1994	Wensley et al.	D8/5
D. 347,556	6/1994	Choi	D8/5
3,372,478	3/1968	Wallace et al.	30/252
4,422,240	12/1983	Wallace et al.	30/254

OTHER PUBLICATIONS

Rainbird Catalog, Jan. 7, 1986, p. 25, lopping shear, item A located at top right corner of page.

Primary Examiner—James M. Gandy
Assistant Examiner—Holly Baynham
Attorney, Agent, or Firm—Price, Gess & Ubell

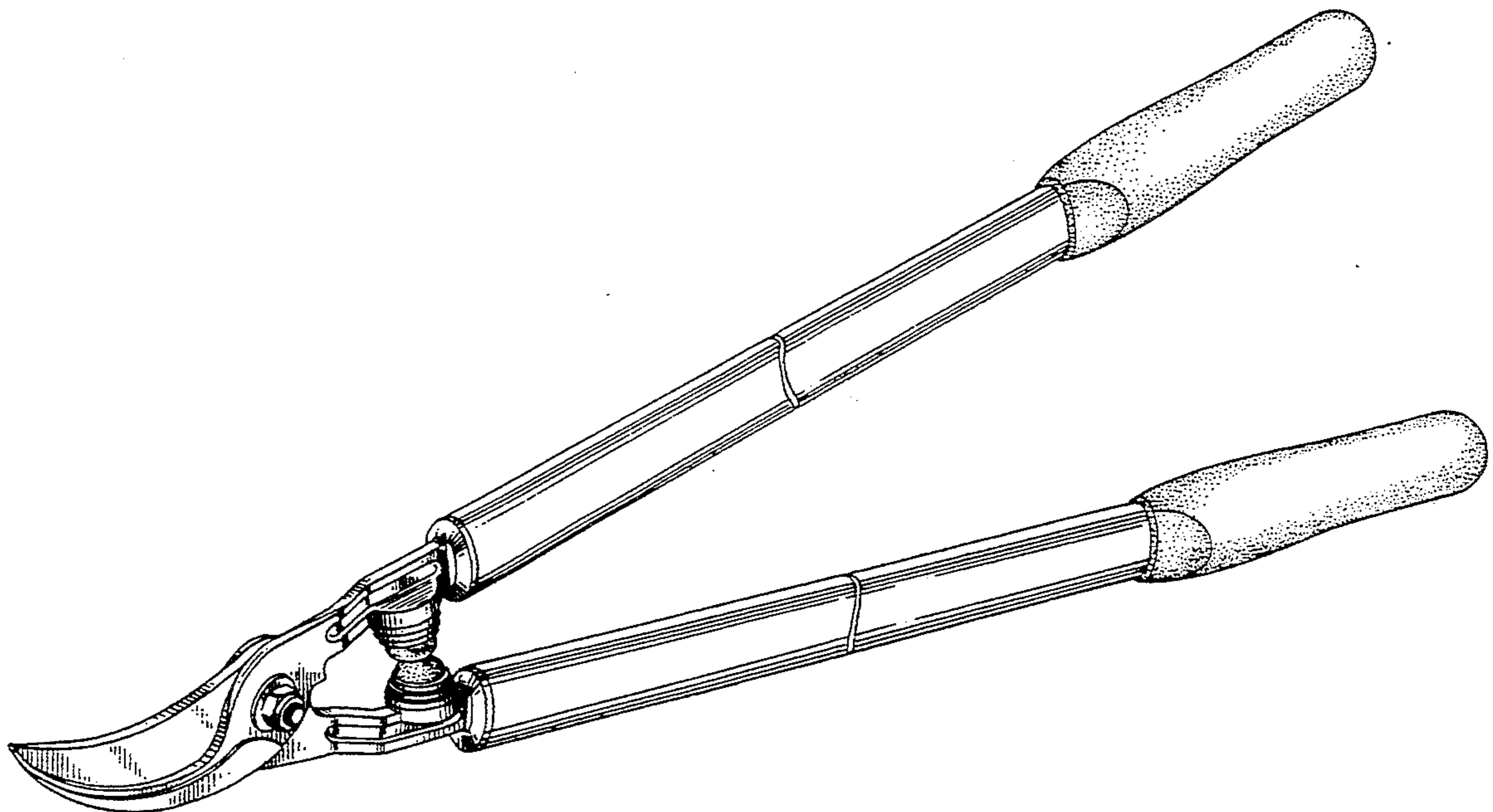
[57] CLAIM

The ornamental design for a lopping shear, as shown and described.

DESCRIPTION

FIG. 1 is a left-side perspective view of the lopping shear of the present invention; FIG. 2 is a front elevational view; FIG. 3 is a left-side elevational view; FIG. 4 is a bottom plan view; FIG. 5 is a top plan view; FIG. 6 is a back elevational view; FIG. 7 is a right-side elevational view; and, FIG. 8 is a fragmented right side perspective view with said view being shown in this manner for clarity of illustration.

The views FIGS. 1, 3-5 and 7 are shown broken away to indicate indeterminate length.



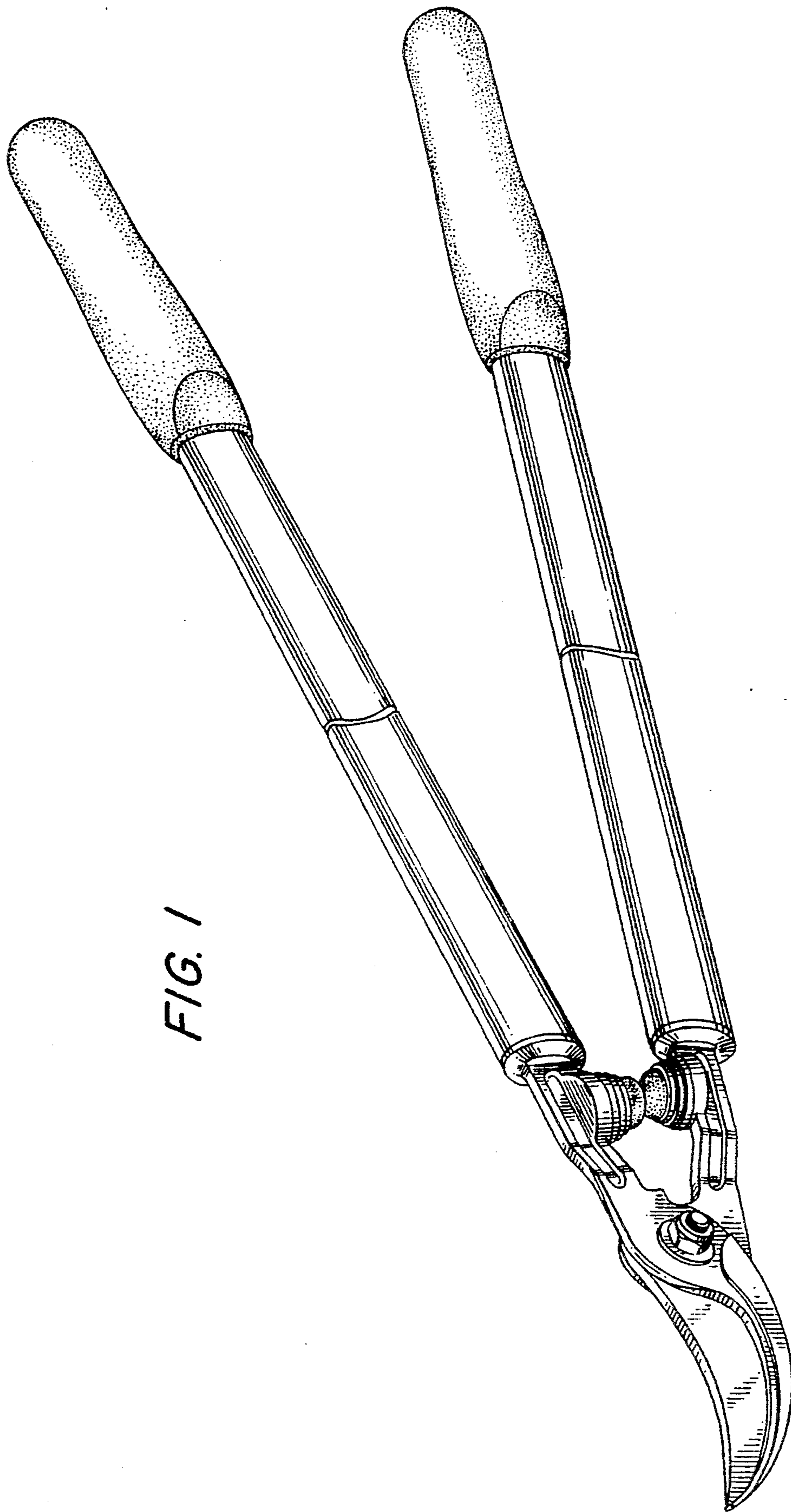


FIG. 1

FIG. 2

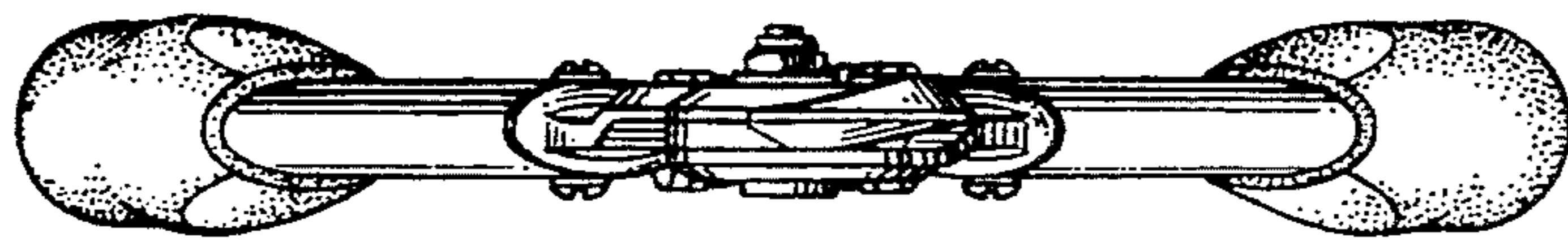


FIG. 3

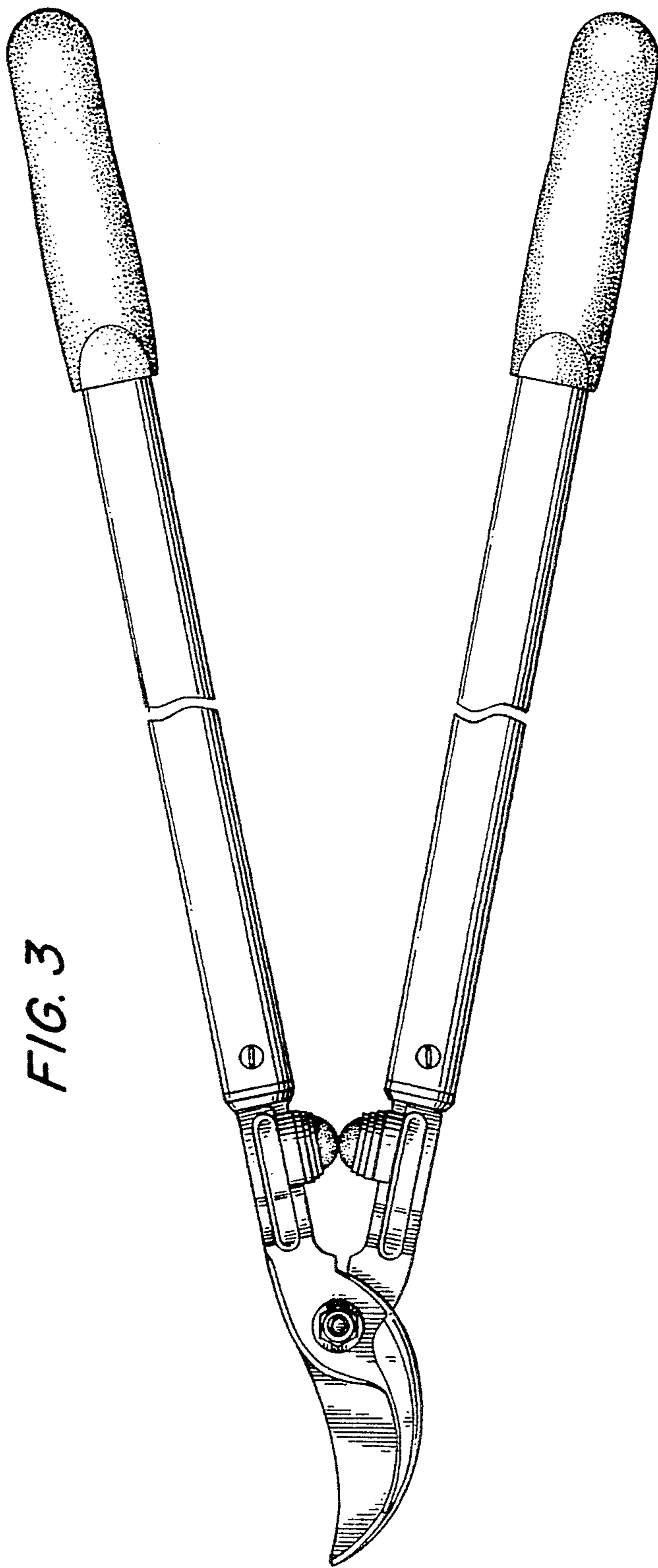


FIG. 4

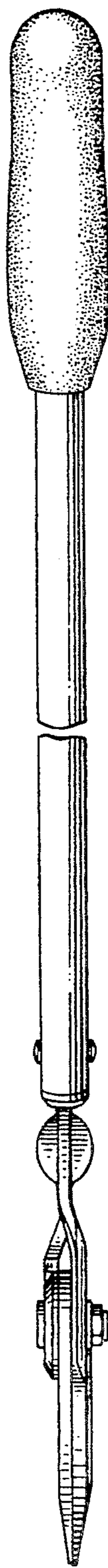


FIG. 5

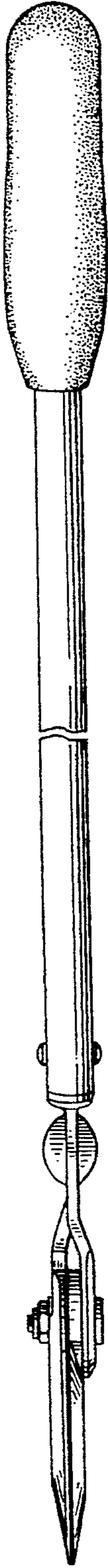


FIG. 7

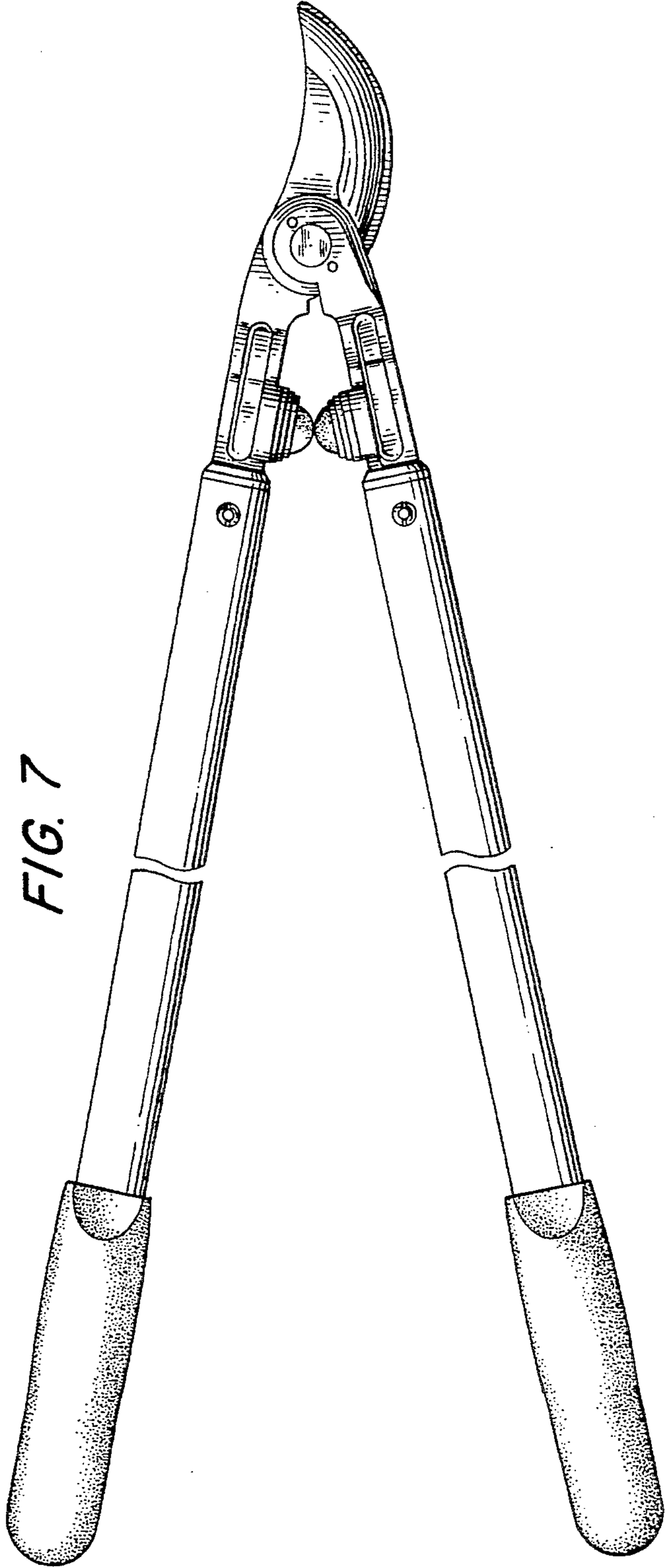


FIG. 6



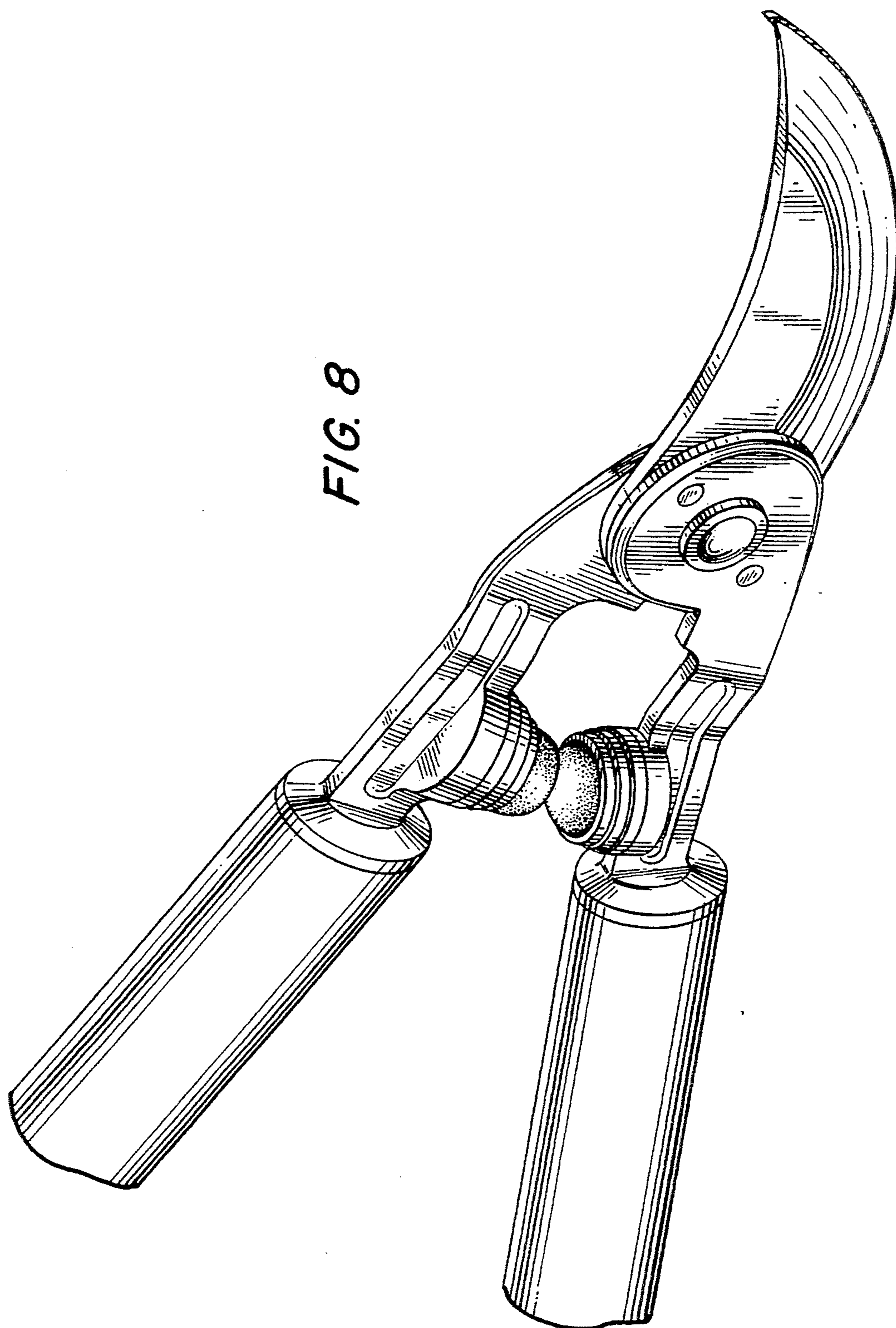


FIG. 8