



US00D357386S

**United States Patent** [19]  
**Jones**

[11] **Patent Number: Des. 357,386**  
[45] **Date of Patent: \*\* Apr. 18, 1995**

[54] **SPORTS BEVERAGE COOLER**

[75] **Inventor: James Jones, Bonita, Calif.**

[73] **Assignee: Global Creations, Inc., San Diego, Calif.**

[\*\*] **Term: 14 Years**

[21] **Appl. No.: 10,524**

[22] **Filed: Oct. 14, 1993**

[52] **U.S. Cl. .... D7/606; D9/307; D21/204**

[58] **Field of Search .... D7/603-608; D3/254, 257, 270; D9/307; 62/371, 372, 457.1, 457.7, 457.8, 530; 206/457; 220/412; D21/204-205**

[56] **References Cited**

**U.S. PATENT DOCUMENTS**

- D. 349,008 7/1994 Minor ..... D7/606
- D. 349,009 7/1994 Minor ..... D7/606
- 4,339,062 7/1982 Witt, Jr. .... D7/619 X

**OTHER PUBLICATIONS**

- Hong Kong Enterprise, Feb. 1990, p. 103 Simulated Sports Ball Clocks.
- John Deere Holidays, 1990, p. 9 Athletic Ball Pillows.

*Primary Examiner*—Terry A. Wallace

[57] **CLAIM**

The ornamental design for a sports beverage cooler, as shown and described.

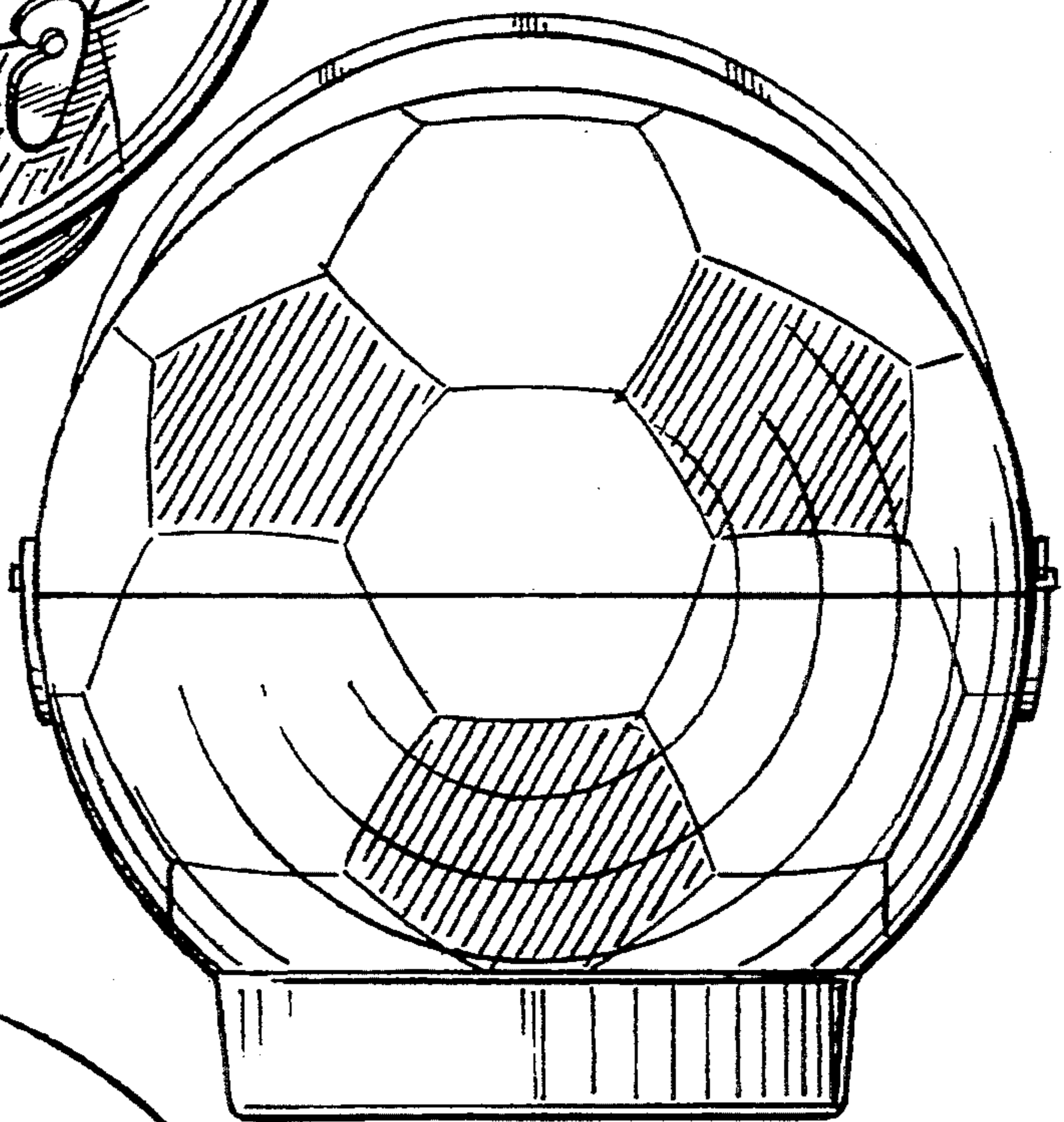
**DESCRIPTION**

FIG. 1 is a perspective view of a sports beverage cooler showing my new design;  
 FIG. 2 is a front elevational view thereof, the opposite side being a mirror image;  
 FIG. 3 is a right side elevational view thereof, the opposite side being a mirror image;  
 FIG. 4 is a top plan view thereof;  
 FIG. 5 is a bottom plan view thereof;  
 FIG. 6 is a front elevational view of a second embodiment of FIG. 1;  
 FIG. 7 is a front elevational view of a third embodiment of FIG. 1;  
 FIG. 8 is a front elevational view of a fourth embodiment of FIG. 1;  
 FIG. 9 is a front elevational view of a fifth embodiment of FIG. 1;  
 FIG. 10 is a front elevational view of a sixth embodiment of FIG. 1;  
 FIG. 11 is a front elevational view of a seventh embodiment of FIG. 1;  
 FIG. 12 is a front elevational view of an eighth embodiment of FIG. 1; and,  
 FIG. 13 is as front elevational view of a ninth embodiment of FIG. 1.  
 It being understood that the views not shown of the alternate embodiments are the same form as that seen in FIGS. 1 through 5 except for the standard sports ball surface.

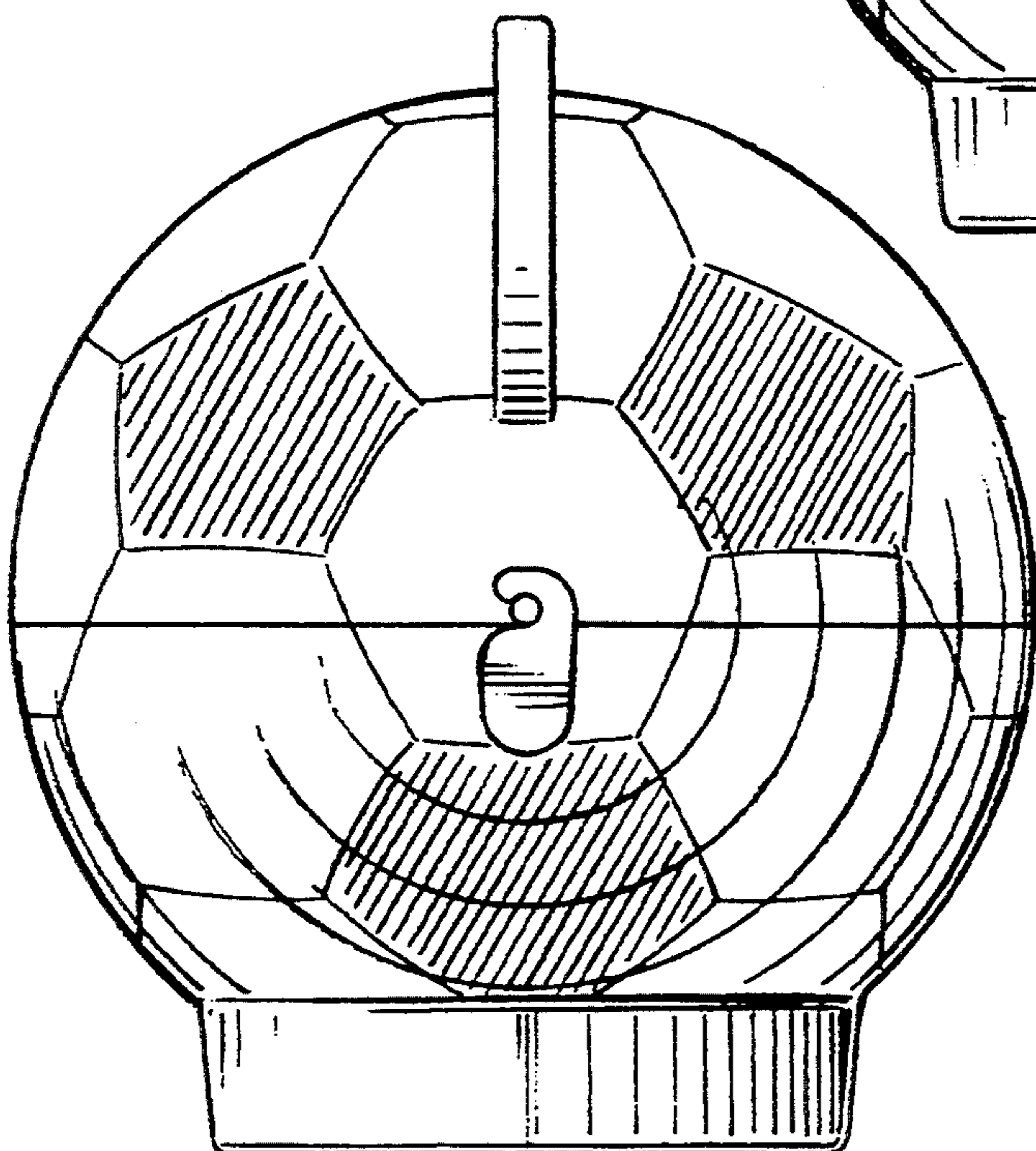




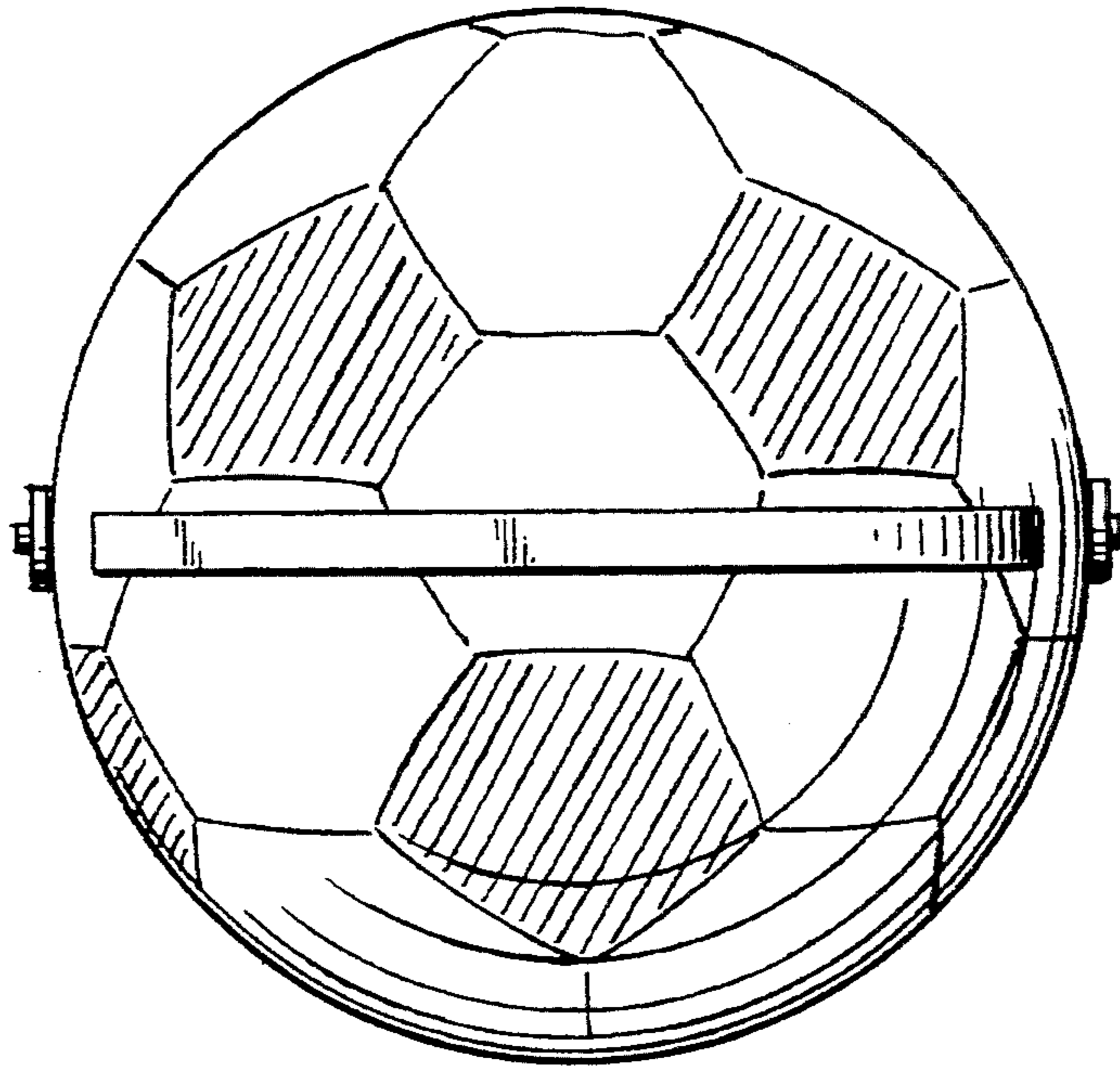
*Fig. 1*



*Fig. 2*

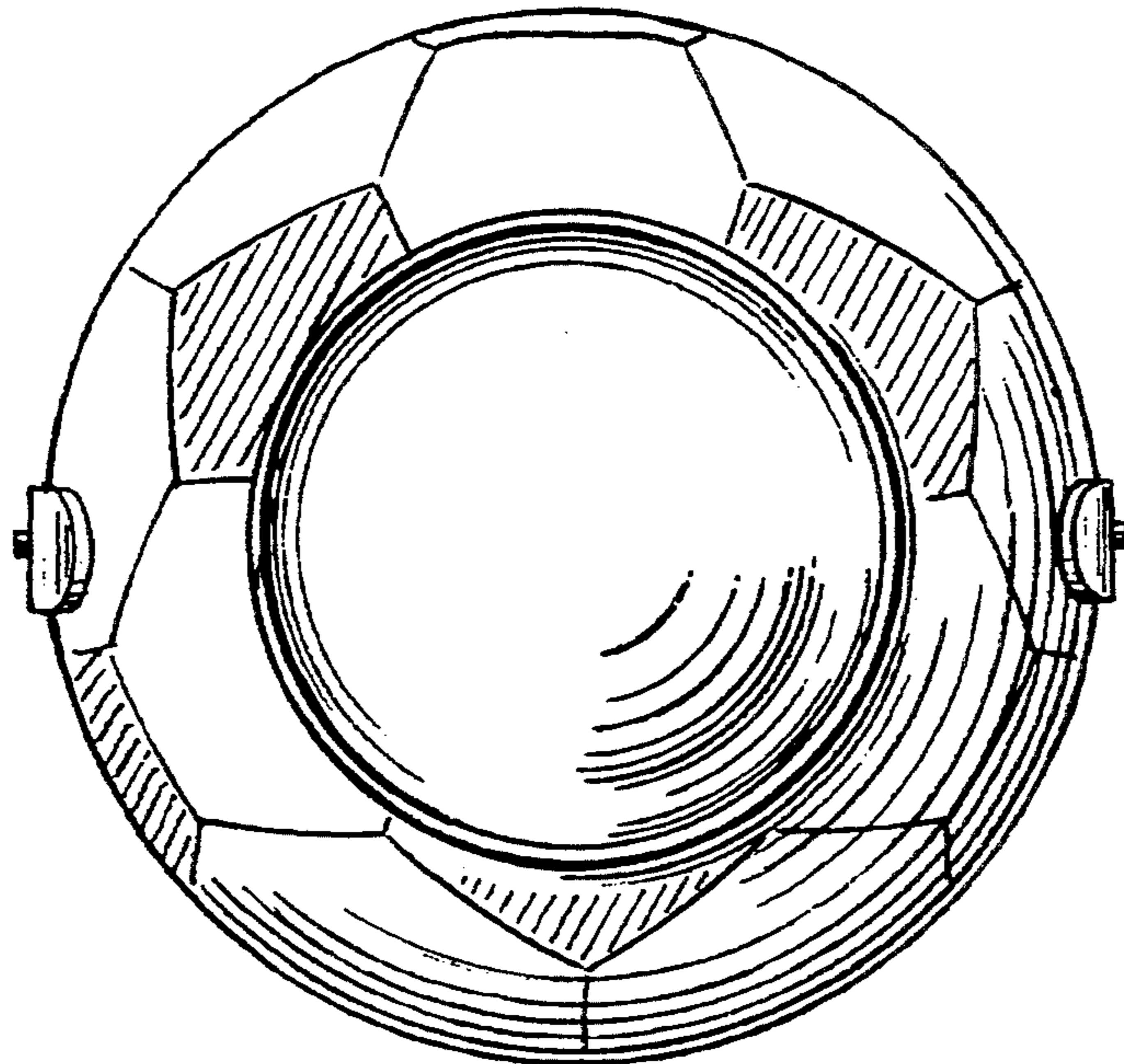


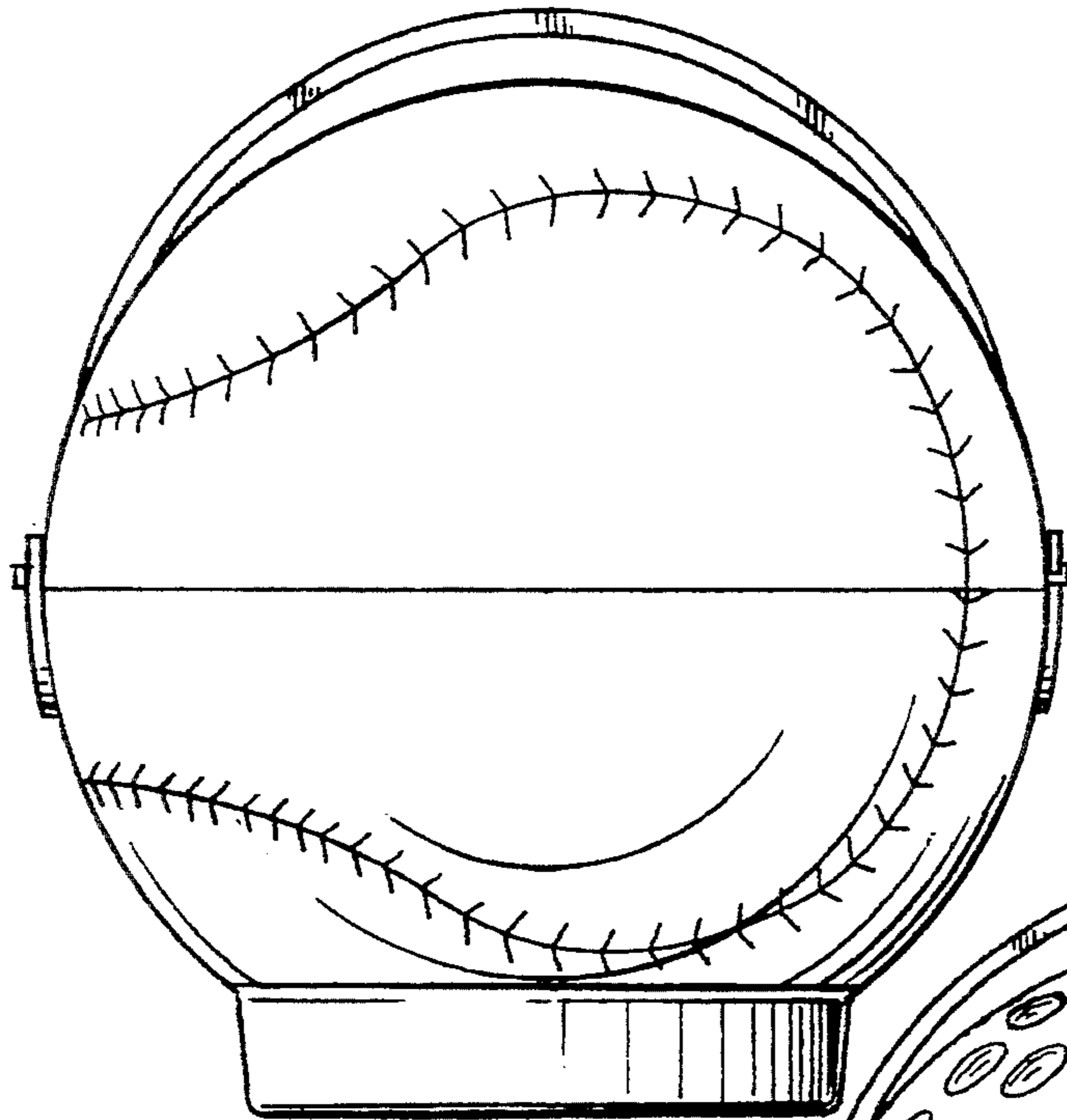
*Fig. 3*



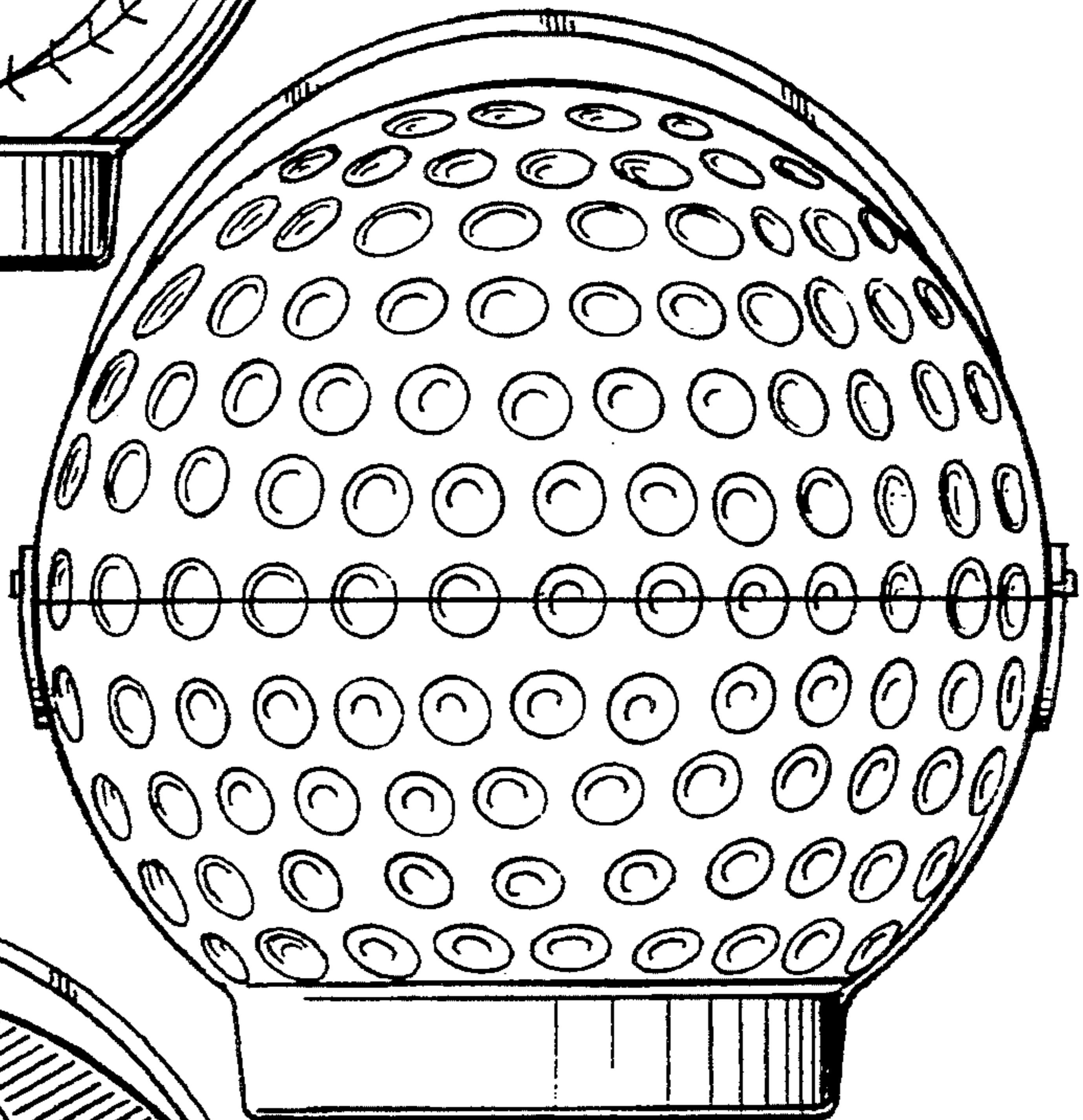
*Fig. 4*

*Fig. 5*

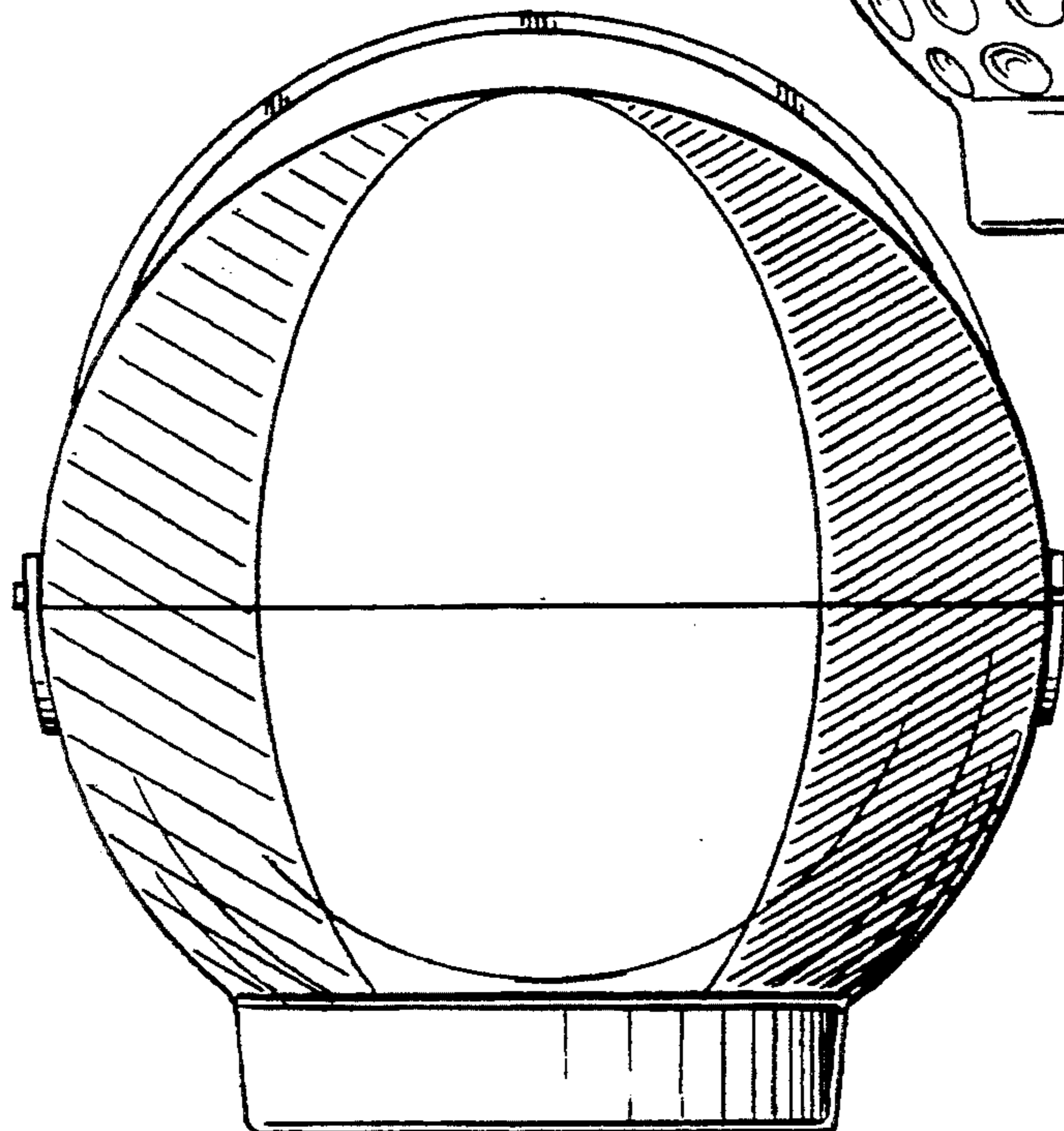




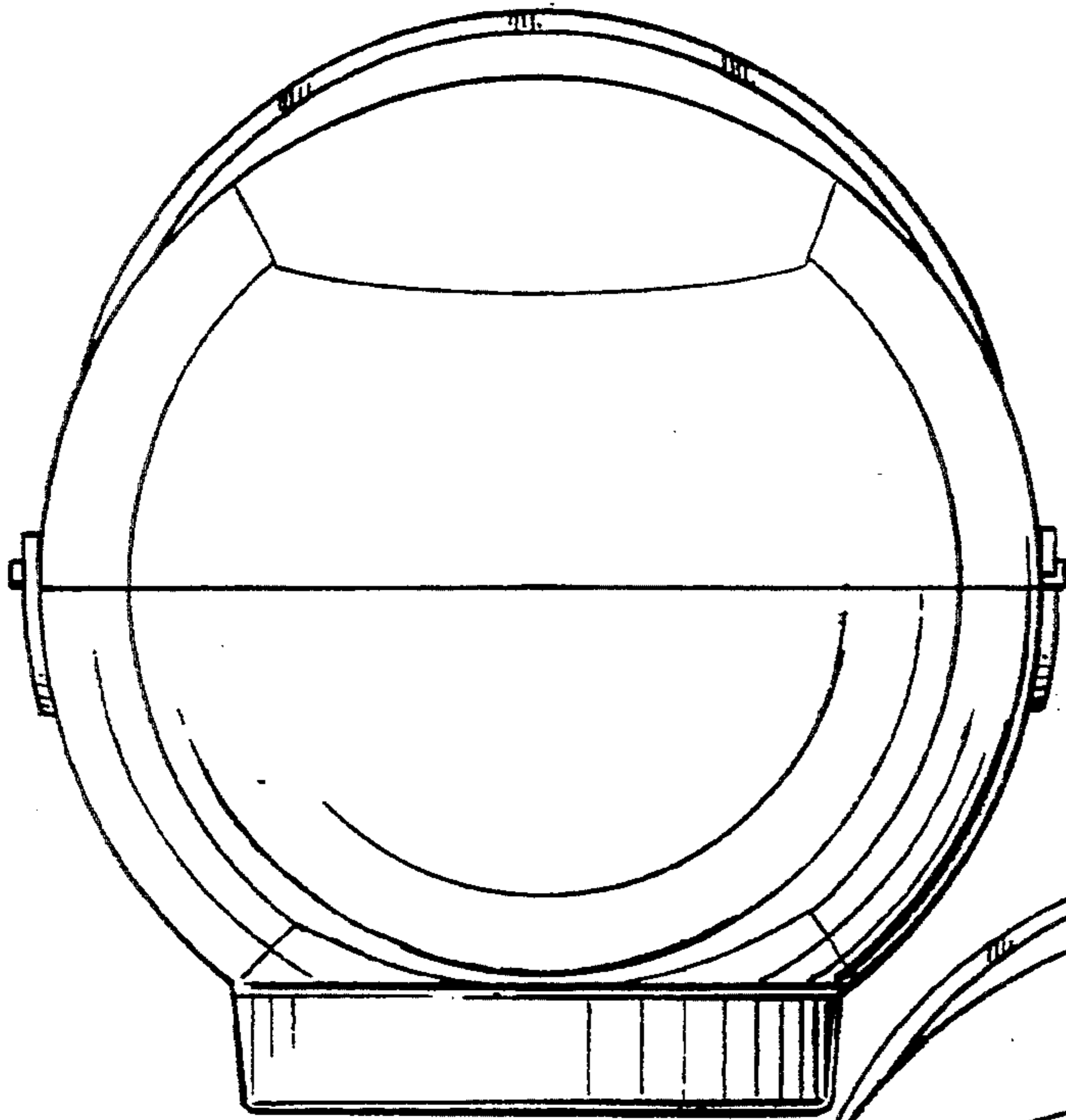
*Fig. 6*



*Fig. 7*

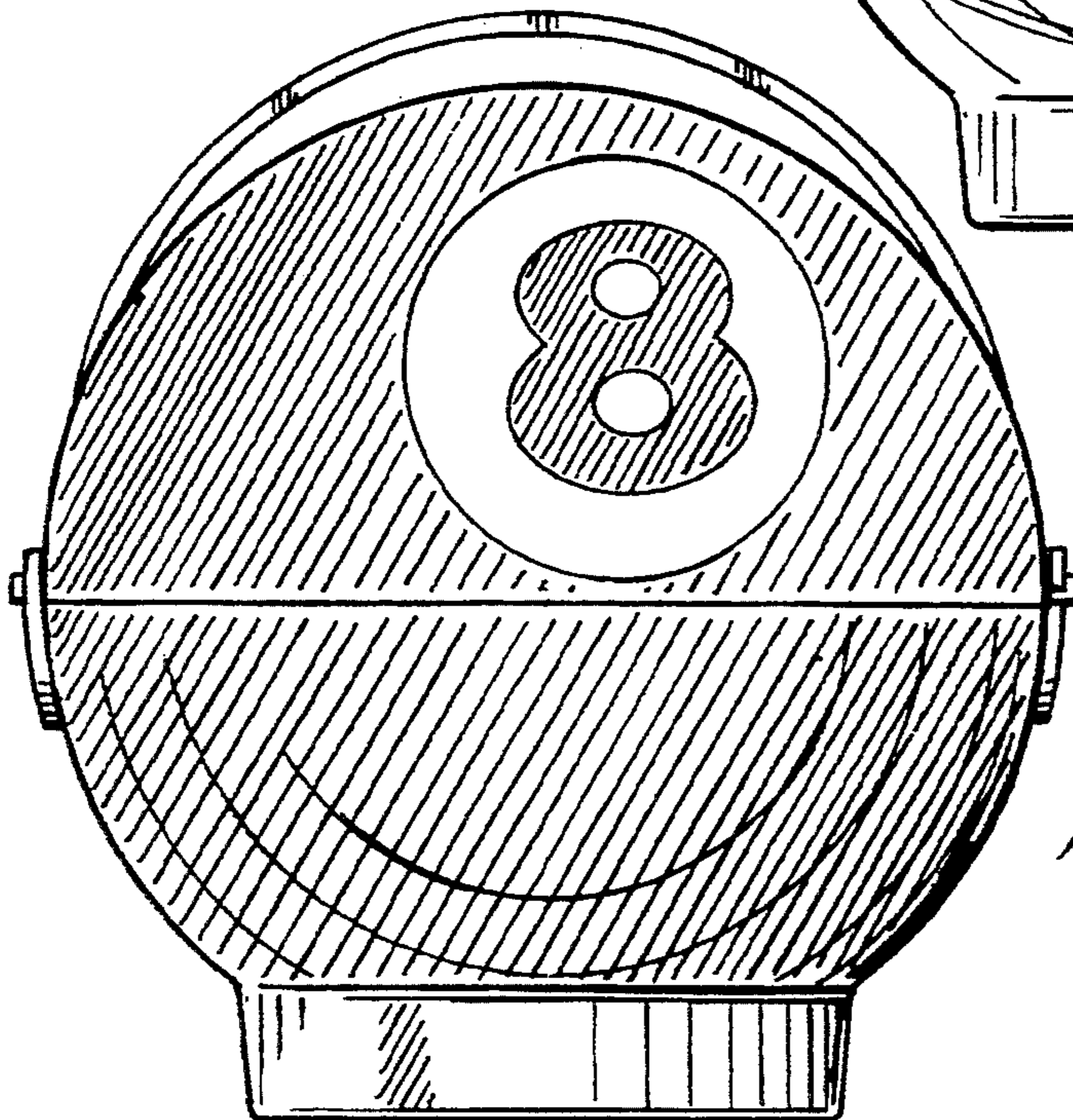
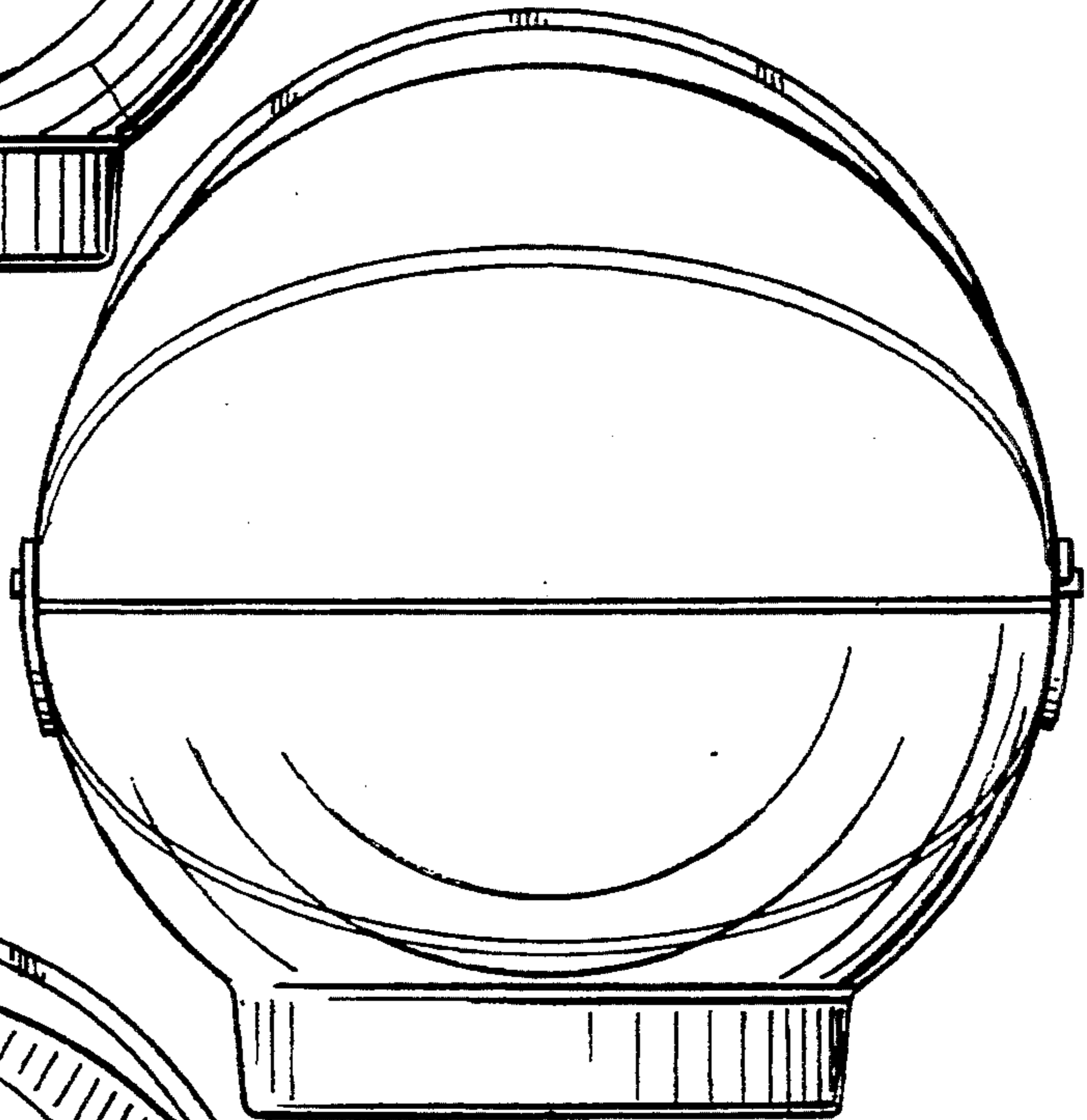


*Fig. 8*

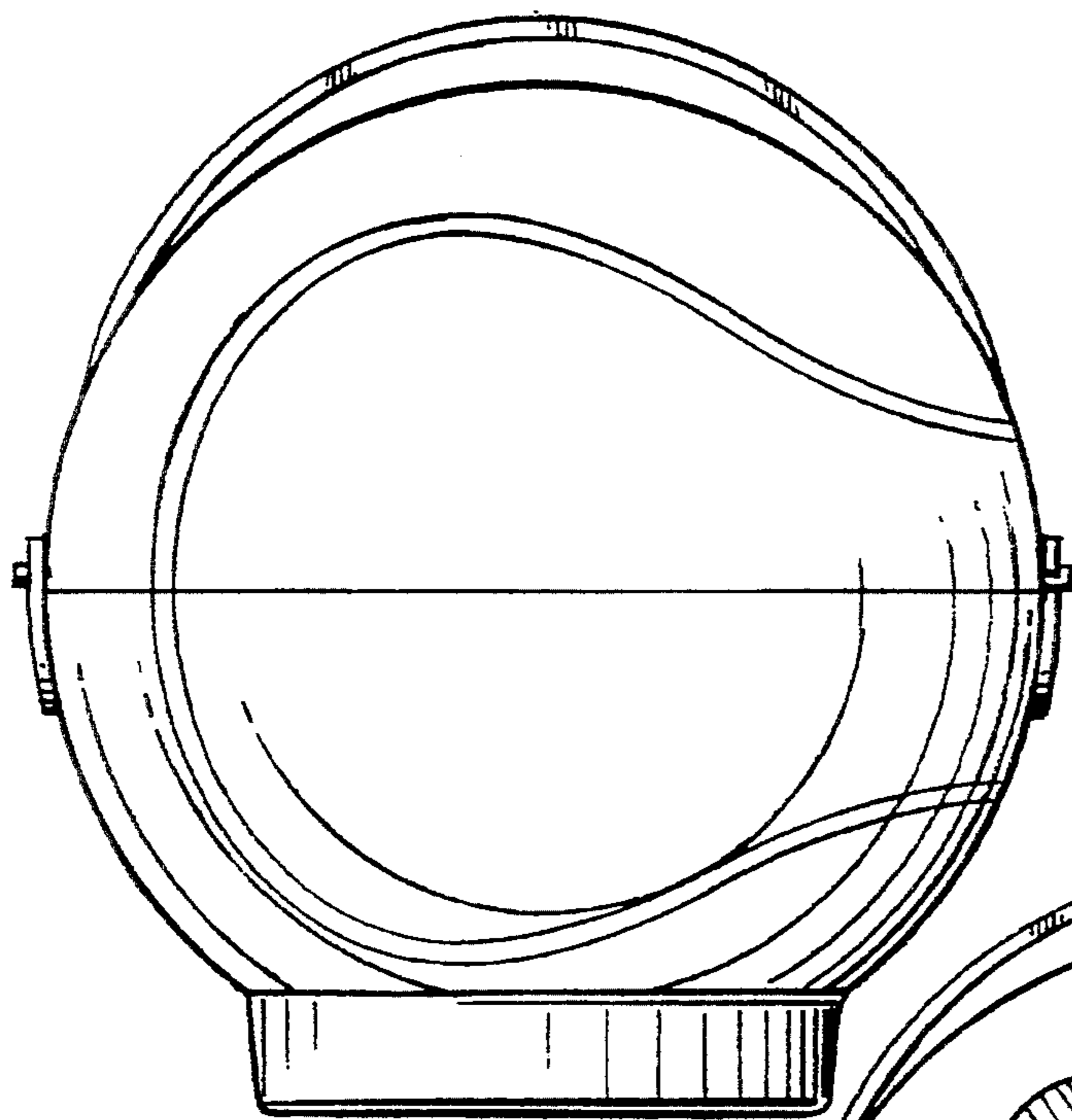


*Fig. 9*

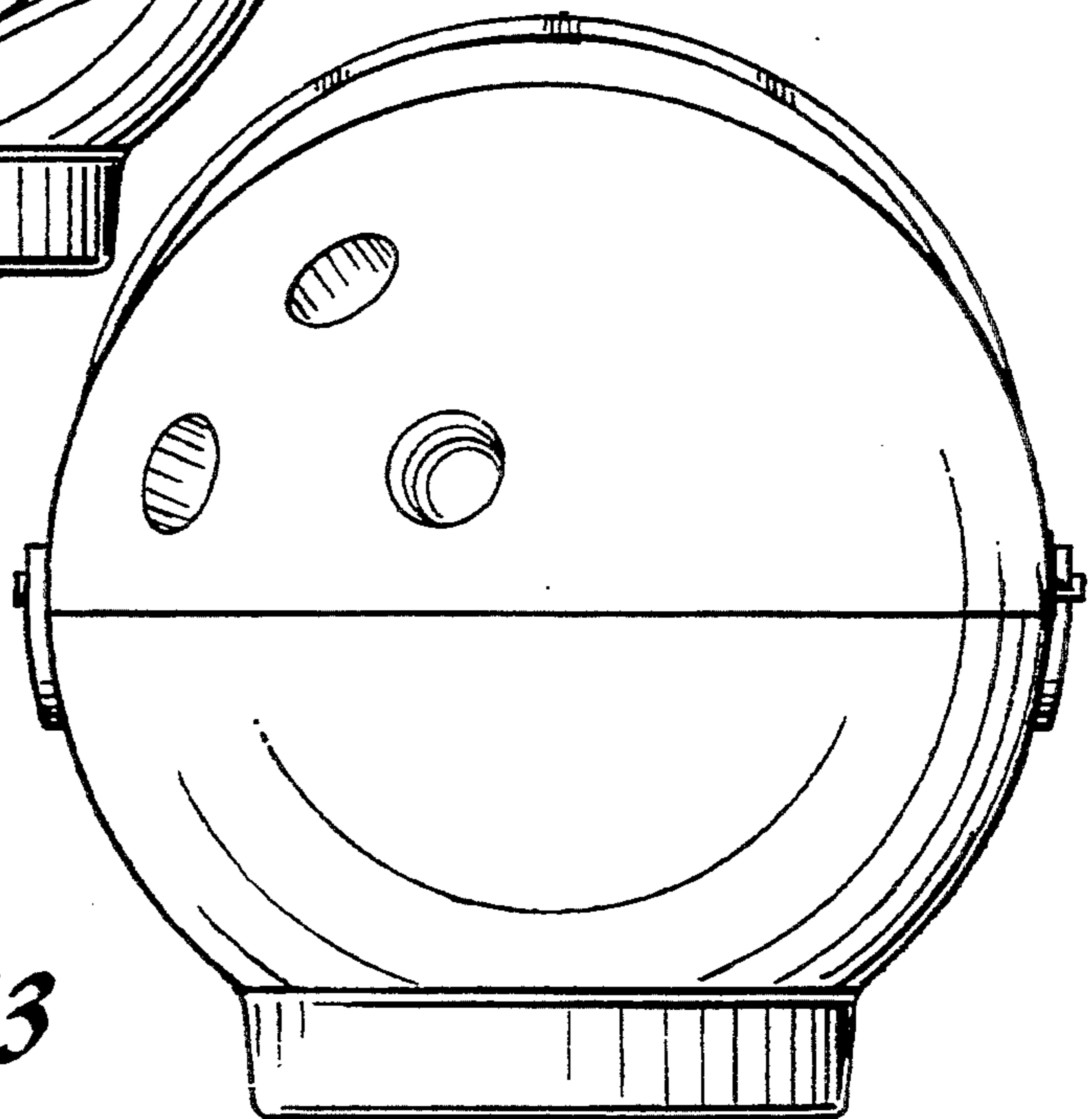
*Fig. 10*



*Fig. 11*



*Fig. 12*



*Fig. 13*