



US00D357383S

United States Patent [19]

[11] Patent Number: **Des. 357,383**

Dornbush et al.

[45] Date of Patent: **** Apr. 18, 1995**

[54] **CONVECTION OVEN**

[75] Inventors: **David A. Dornbush**, Prior Lake; **Chad S. Erickson**, Plymouth; **Jeffrey E. Sandahl**, Burnsville; **Neal P. Barnes**, Maple Grove; **James B. Easley**; **Richard C. Jackson**, both of Minneapolis; **Andrew L. Von Duyke**, Greenwood; **Kevin B. Moore**, Chaska, all of Minn.

[73] Assignee: **American Harvest, Inc.**, Chaska, Minn.

[**] Term: **14 Years**

[21] Appl. No.: **6,661**

[22] Filed: **Apr. 13, 1993**

4,226,178	10/1980	Geissler et al. .
4,295,034	10/1981	Assmann .
4,350,874	9/1982	Nishikawa .
4,509,412	4/1985	Whittenburg et al. .
4,591,698	5/1986	Chang .
4,817,509	4/1989	Erickson .
4,818,550	4/1989	Davidson .
5,165,328	11/1992	Erickson et al. D7/350

FOREIGN PATENT DOCUMENTS

934357	5/1948	France .
2409736	6/1979	France .
24 12 835	9/1975	Germany .
90-11260	12/1990	Rep. of Korea .
643129	5/1984	Switzerland .
63403	12/1984	Taiwan, Prov. of China .
117976	1/1989	Taiwan, Prov. of China .
23335	2/1990	Taiwan, Prov. of China .
2007515	5/1979	United Kingdom .

Related U.S. Application Data

[63] Continuation-in-part of Ser. No. 6,031, Mar. 31, 1993.
 [52] U.S. Cl. **D7/350**
 [58] Field of Search **D7/348-351;**
 99/330, 340, 341, 447, 467-468, 473-474;
 219/400, 391

[56] **References Cited**

U.S. PATENT DOCUMENTS

D. 268,472	4/1983	Nishikawa	D7/348
D. 293,539	1/1988	Nishikawa .	
D. 321,109	10/1991	Erickson et al.	D7/350
D. 321,110	10/1991	Worrell et al.	D7/350
D. 328,687	8/1992	Dornbush et al.	D7/350
D. 328,834	8/1992	Chang	D7/348
D. 329,163	9/1992	Chang	D7/348
D. 334,864	4/1993	Chang	D7/350
1,986,088	1/1935	Wild .	
2,523,796	9/1950	Weeks	219/35
3,529,556	9/1970	Barnes .	
4,132,216	9/1979	Guibert .	
4,210,072	7/1980	Pedrini .	

OTHER PUBLICATIONS

Brochure for "Convection Cooking System: An Exciting Breakthrough in Cookware", by Search Marketing, Inc. (4 pages) 1992.

Primary Examiner—Ruth McInroy
Attorney, Agent, or Firm—Merchant, Gould, Smith, Edell, Welter & Schmidt

[57] **CLAIM**

The ornamental design for a convection oven, as shown and described.

DESCRIPTION

FIG. 1 is a perspective view of a convection oven showing our new design;
 FIG. 2 is a front elevational view thereof;
 FIG. 3 is a rear elevational view thereof;
 FIG. 4 is a right side elevational view thereof;
 FIG. 5 is a left side elevational view thereof;
 FIG. 6 is a top plan view thereof; and,
 FIG. 7 is a bottom plan view thereof.

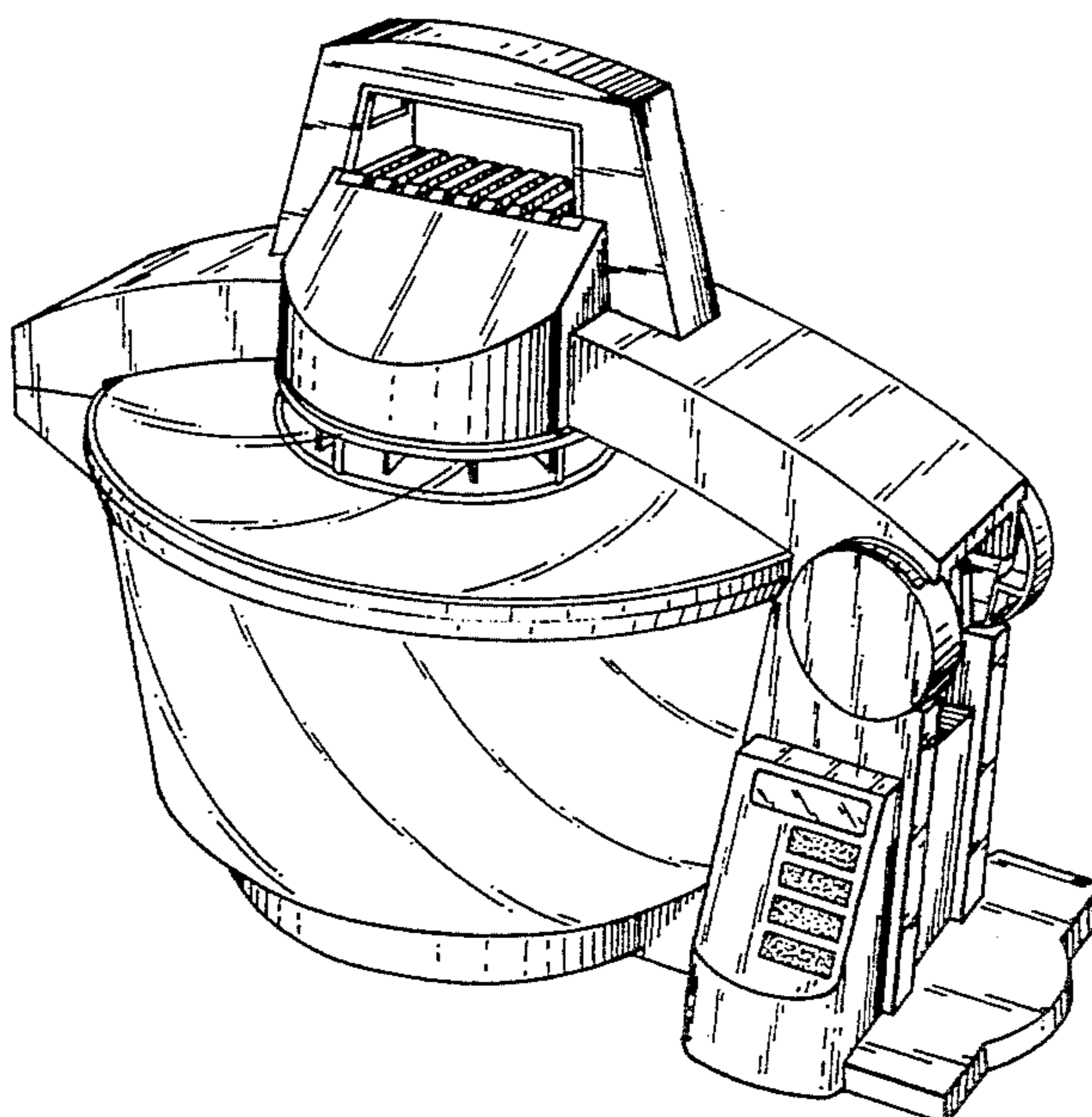
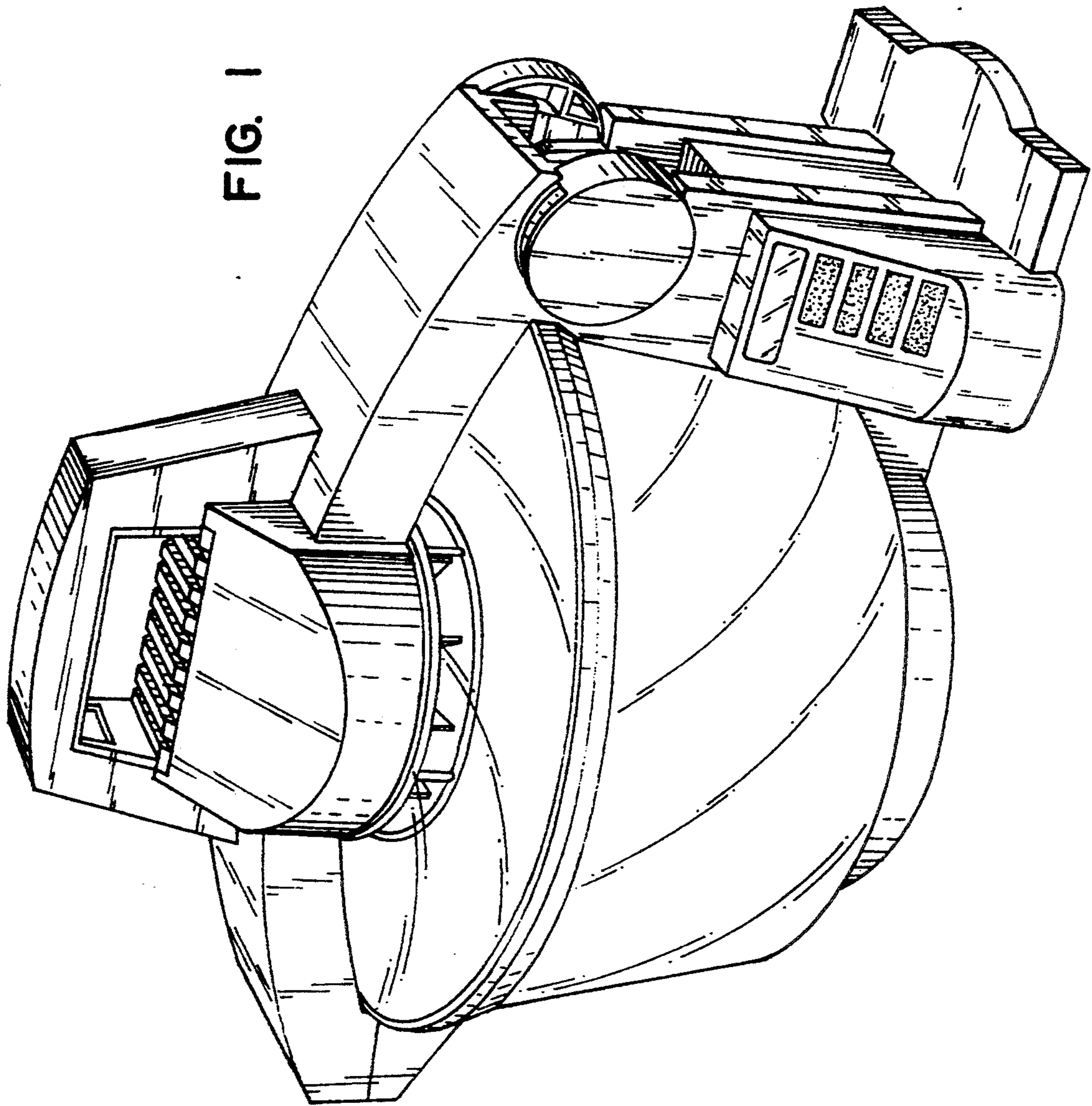


FIG. 1



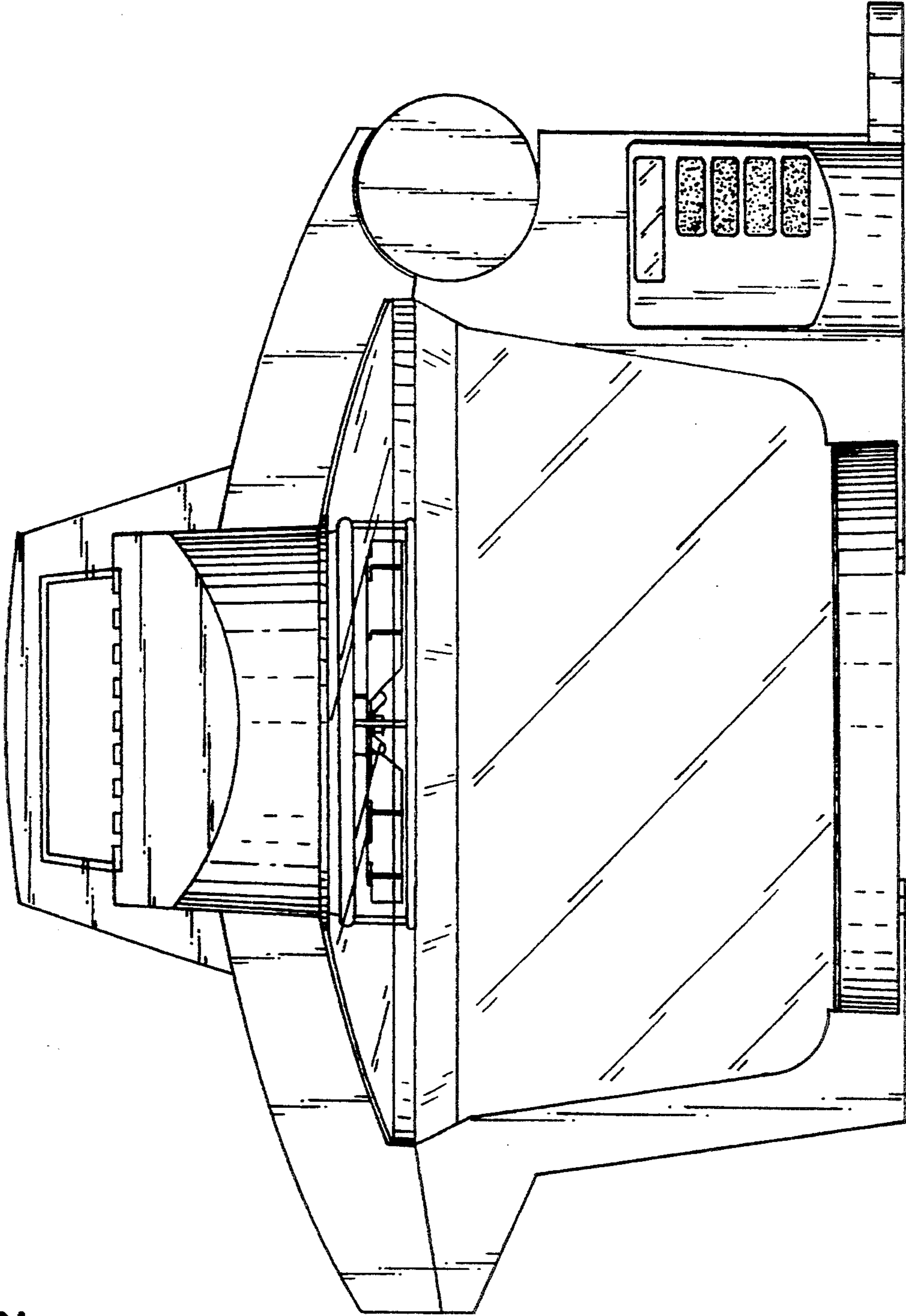


FIG. 2

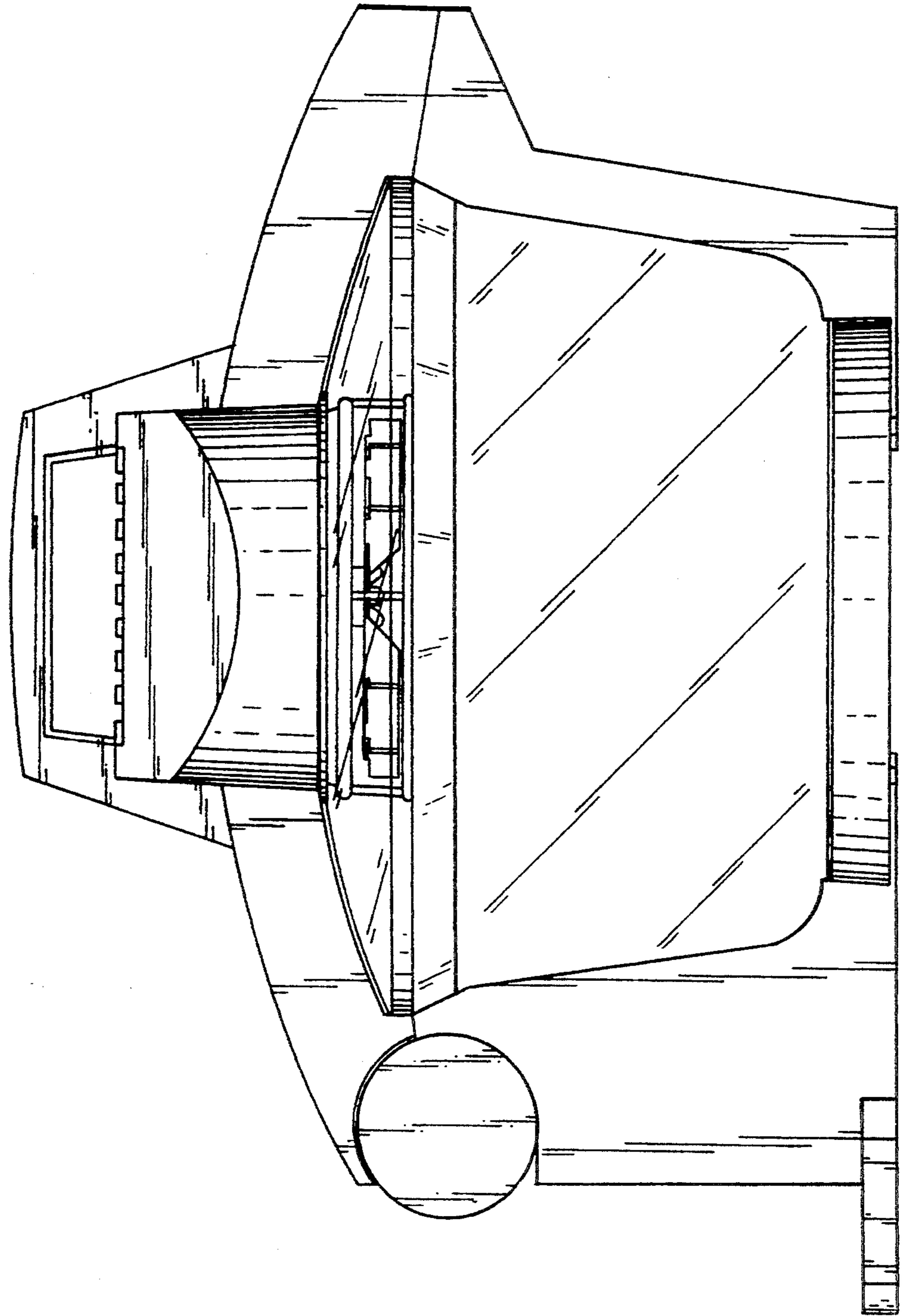


FIG. 3

FIG. 4

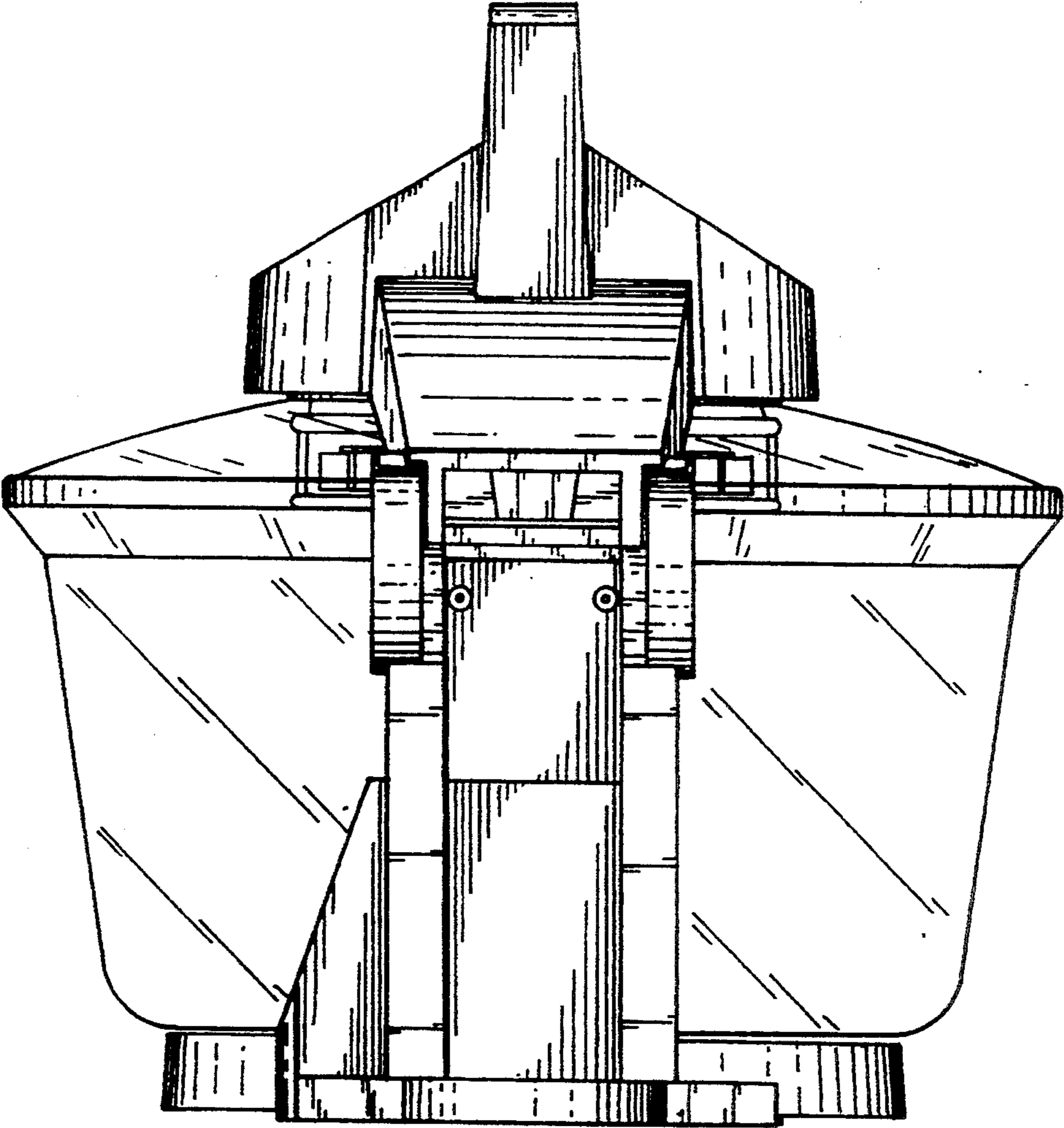
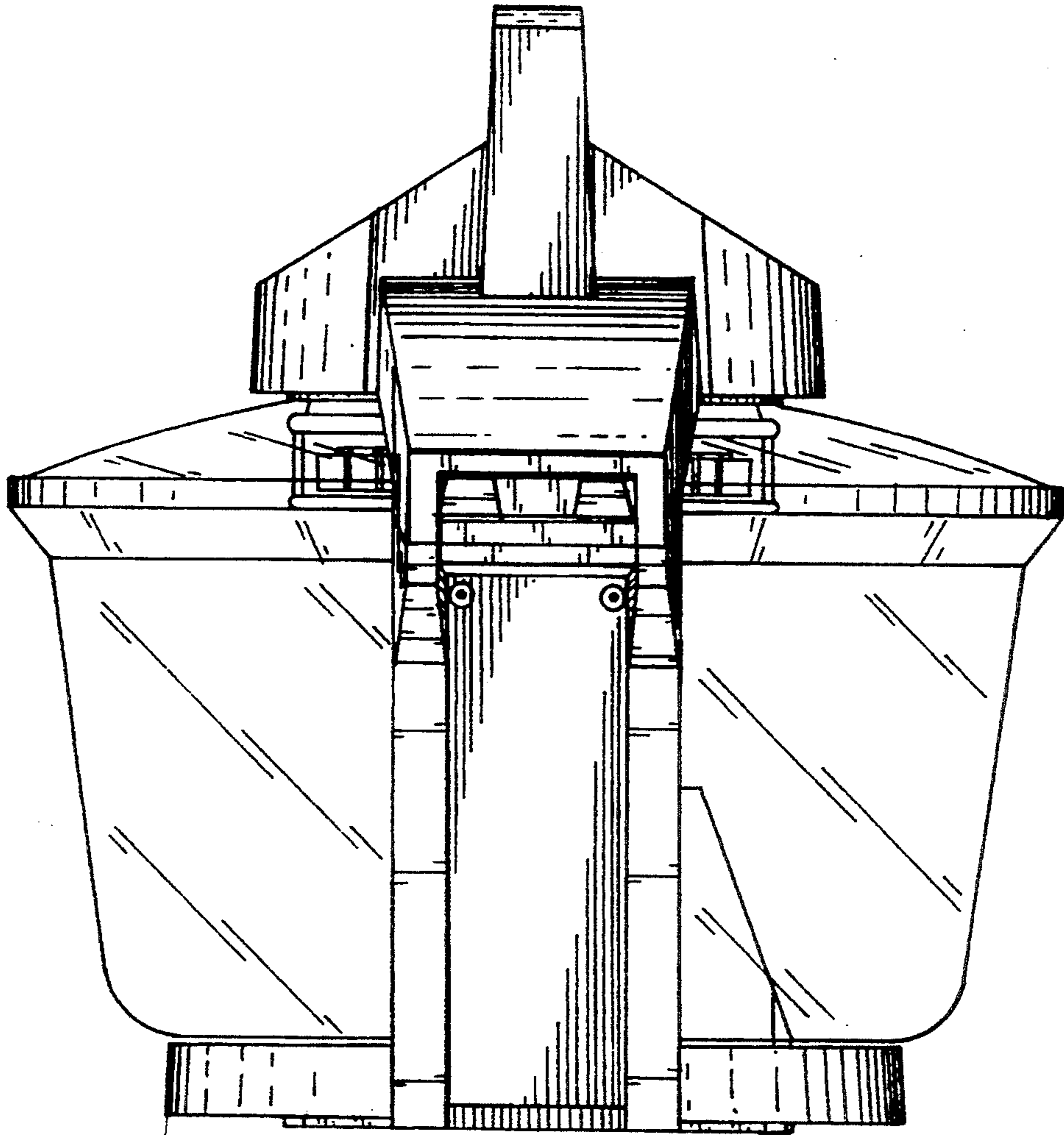


FIG. 5



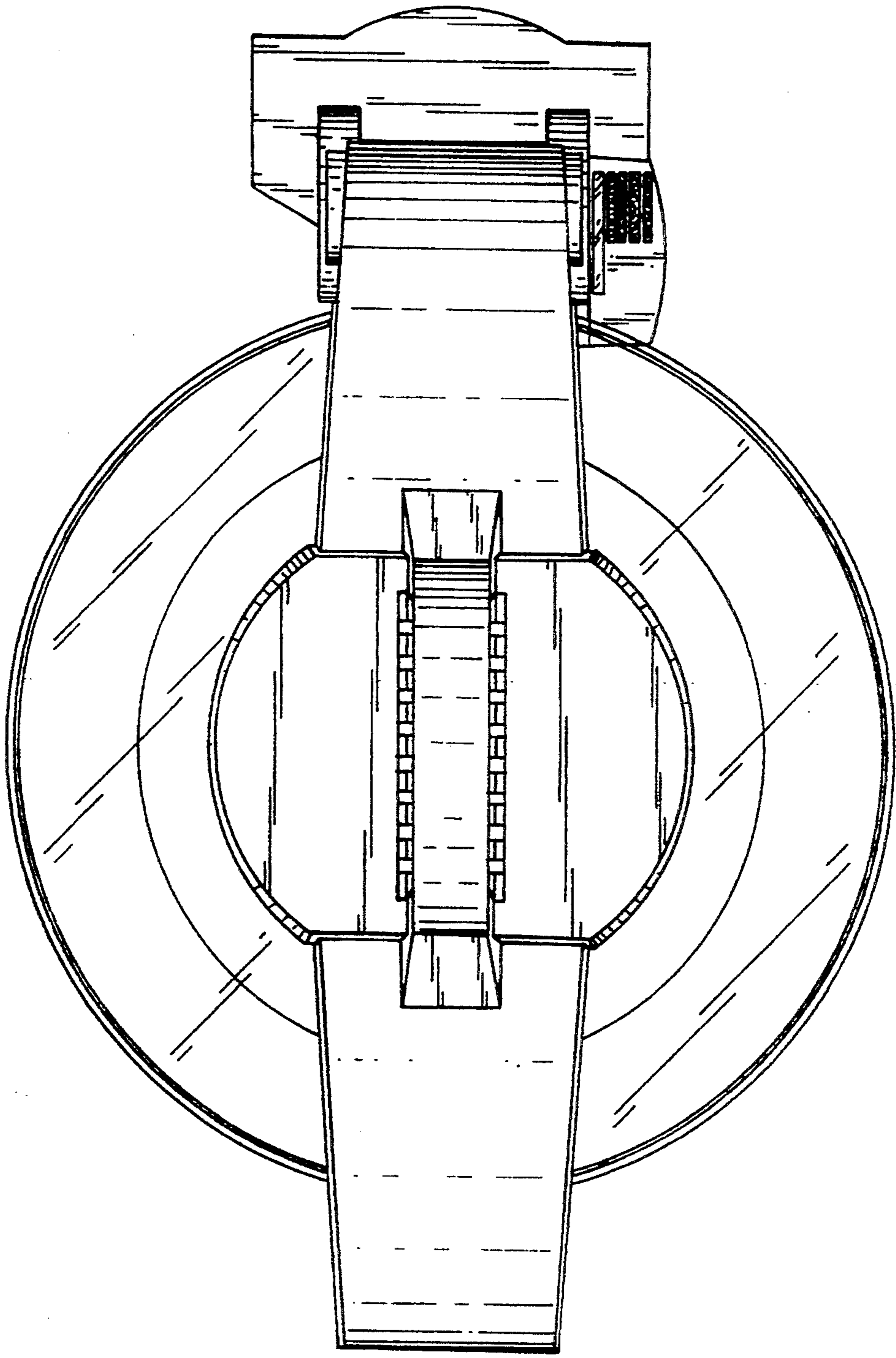


FIG. 6

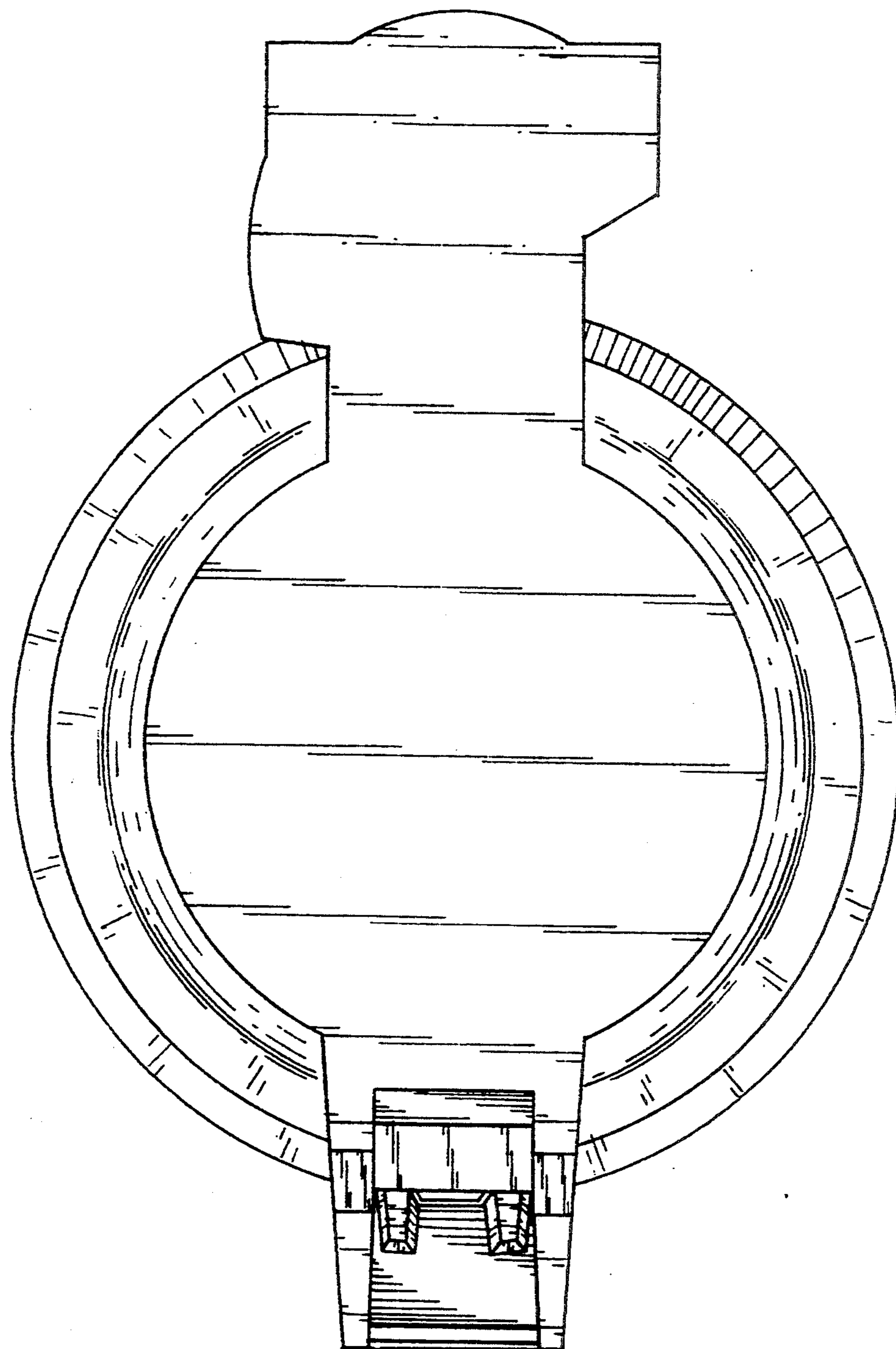


FIG. 7