



US00D357381S

United States Patent [19]

[11] Patent Number: **Des. 357,381**

Anderson

[45] Date of Patent: **** Apr. 18, 1995**

[54] **TILTROLL SUPPORT**

[75] Inventor: **Richard N. Anderson**, Whitesville, Ky.

[73] Assignee: **Hunter Douglas Inc.**, Upper Saddle River, N.J.

[**] Term: **14 Years**

[21] Appl. No.: **832,493**

[22] Filed: **Feb. 7, 1992**

[52] U.S. Cl. **D6/580; D6/577**

[58] Field of Search **D6/575, 580; D8/354; 160/168.1 R, 168.1 V, 173 R, 176.1 V, 168.1 R, 177, 177 R, 349.1, 349.2, 330, 902**

[56] **References Cited**

U.S. PATENT DOCUMENTS

2,495,888	1/1950	Burns	160/176
2,620,026	12/1952	Rutledge	160/177 R
2,667,220	1/1954	Rutledge	160/177
3,352,349	11/1967	Hennequin	160/173 R
3,630,264	12/1971	Debs et al.	160/177
3,921,695	11/1975	Debs	160/176
4,214,622	7/1980	Debs	160/168
4,262,728	4/1981	Debs	160/168
4,333,510	6/1982	Fox	160/177 R

4,475,706	10/1984	Anderson	160/902 X
4,494,593	1/1985	Fielder, Jr.	160/177
4,522,245	6/1985	Anderson	160/177 R
4,541,468	9/1985	Anderson	160/177
4,697,629	10/1987	Anderson	160/177
4,945,971	10/1990	Ivarsson et al.	160/178.3
5,074,349	12/1991	Yannazzone	160/177

FOREIGN PATENT DOCUMENTS

158259	3/1957	Sweden	.
765419	1/1957	United Kingdom	.
1081975	9/1967	United Kingdom	.
WO91/14848	10/1991	WIPO	.

Primary Examiner—Wallace R. Burke
Assistant Examiner—Monica A. Hannon
Attorney, Agent, or Firm—Fish & Neave

[57] **CLAIM**

The ornamental design for a tiltroll support, as shown and described.

DESCRIPTION

FIG. 1 is a top, front, left side view;
FIG. 2 is a bottom, front, right side view;
FIG. 3 is a front plan view thereof;
FIG. 4 is a right plan view thereof;
FIG. 5 is a top plan view thereof; and,
FIG. 6 is a bottom plan view thereof.

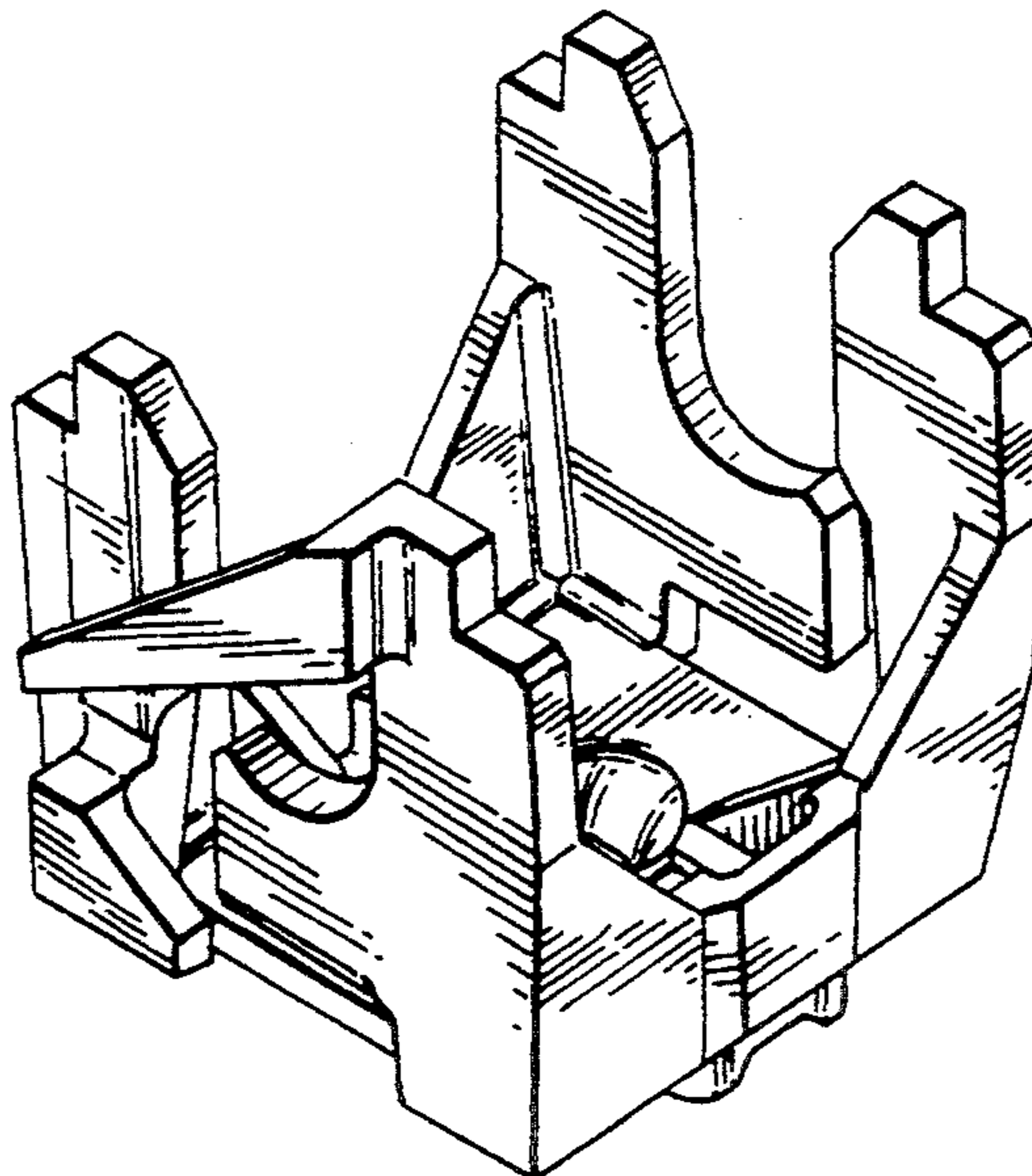


Fig.1.

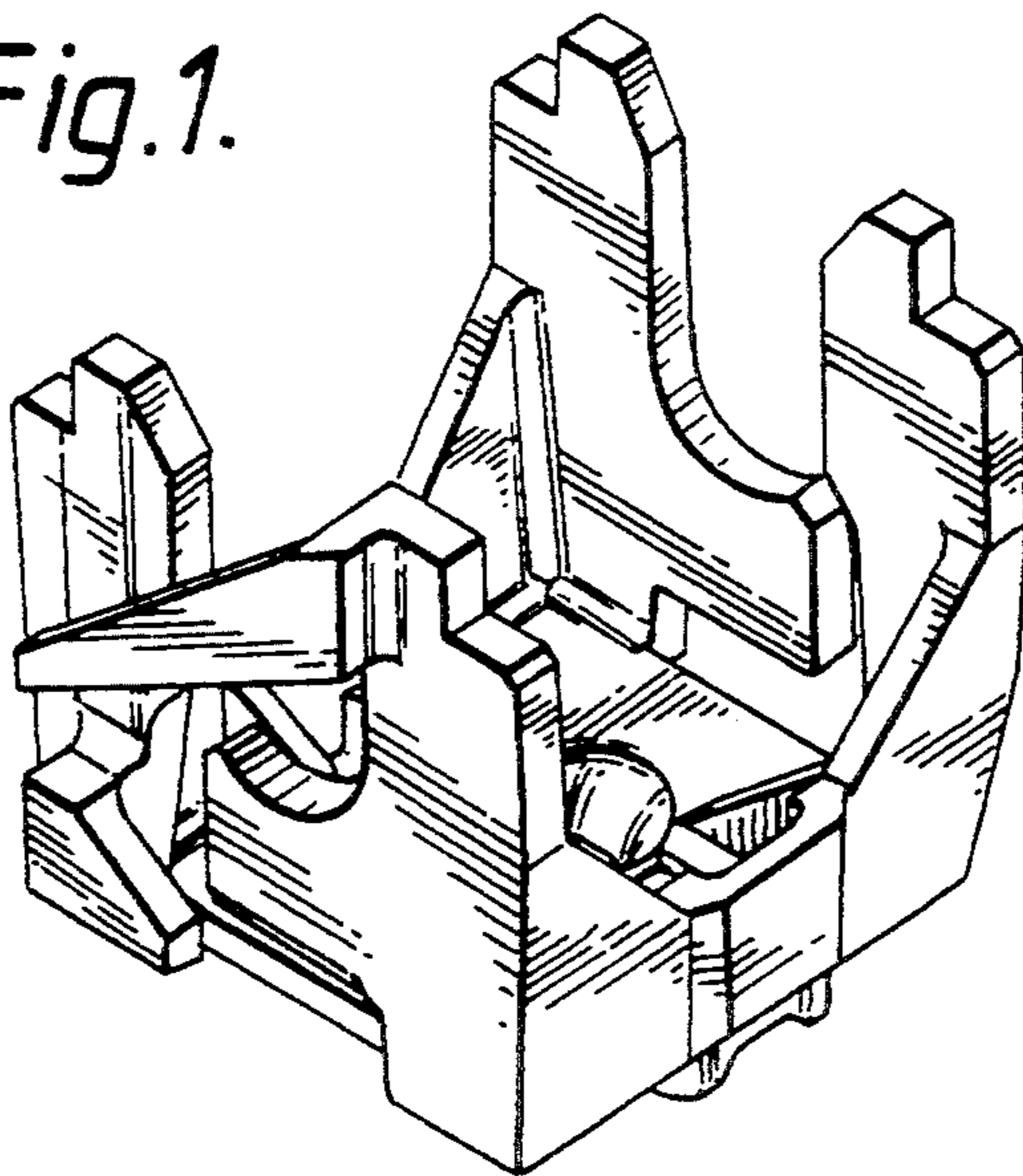


Fig.2.

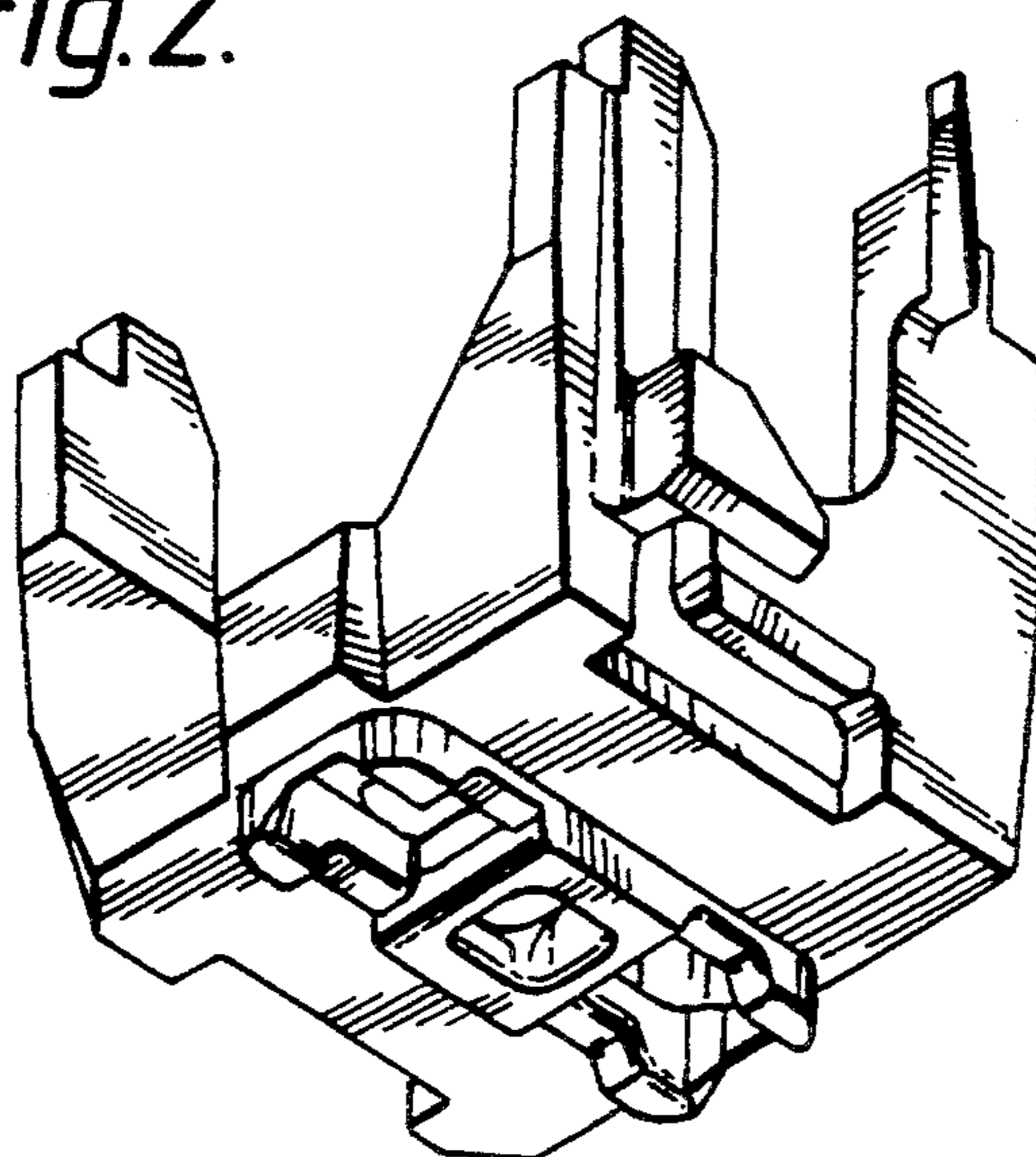


Fig.3.

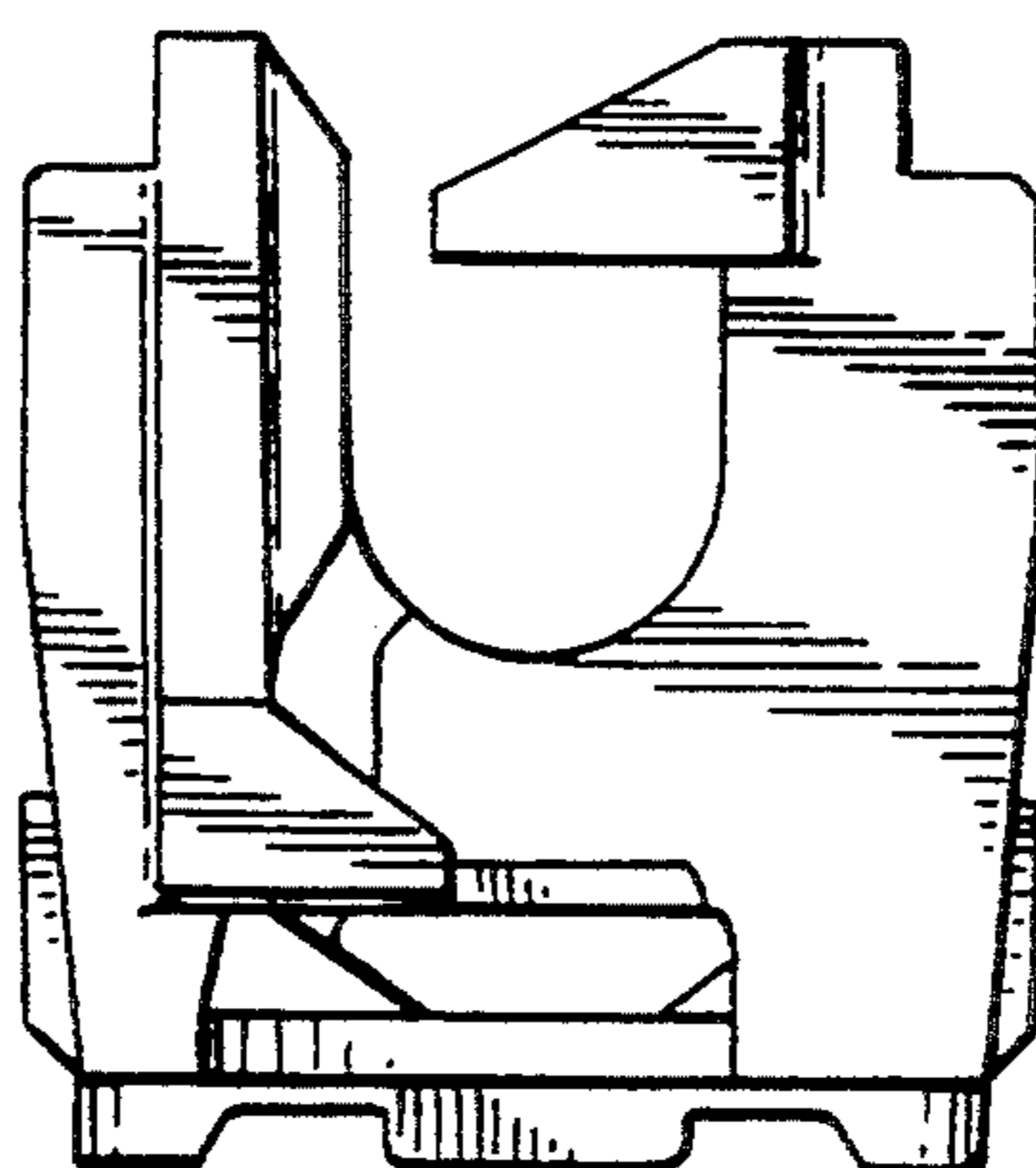


Fig.4.

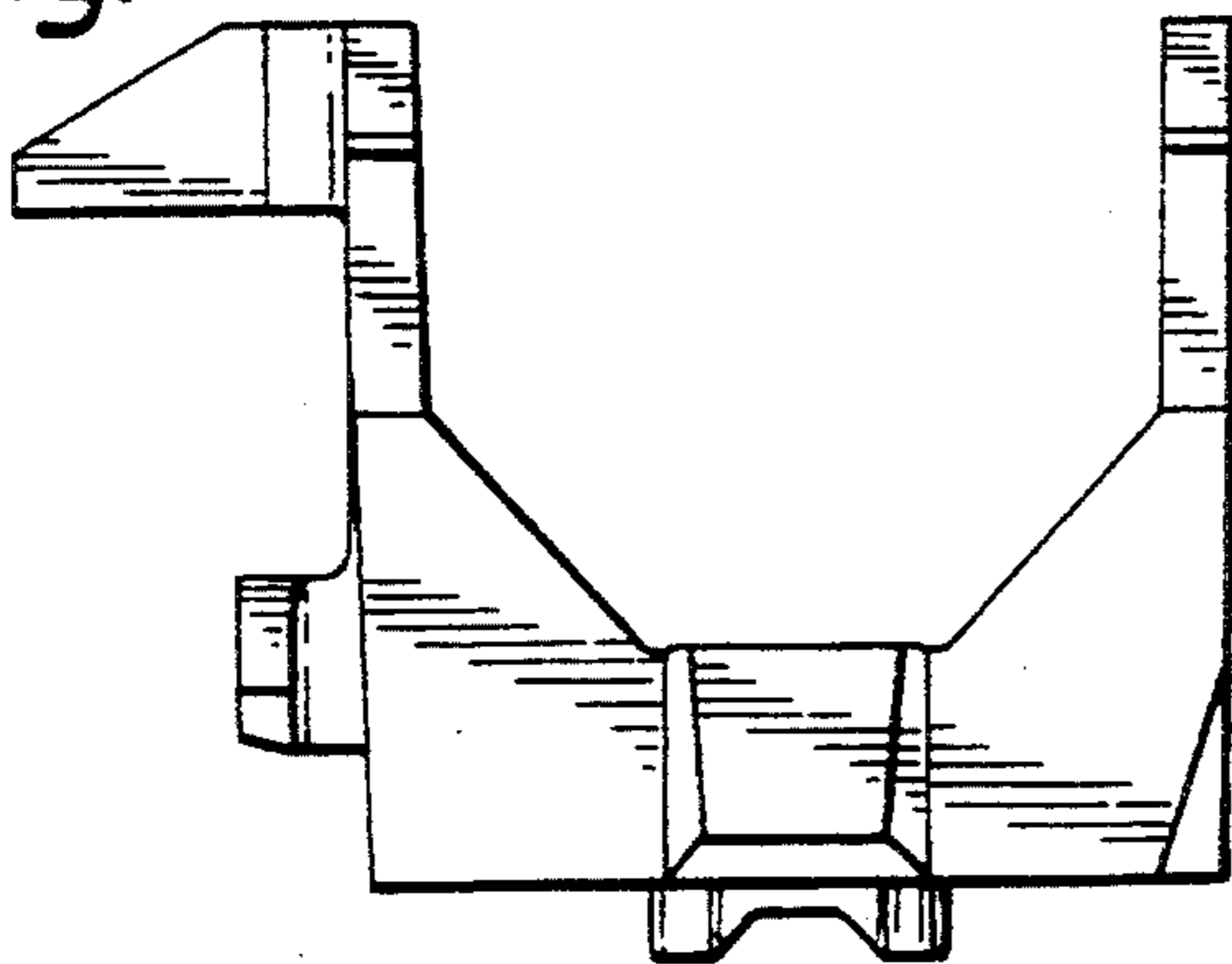


Fig.5.

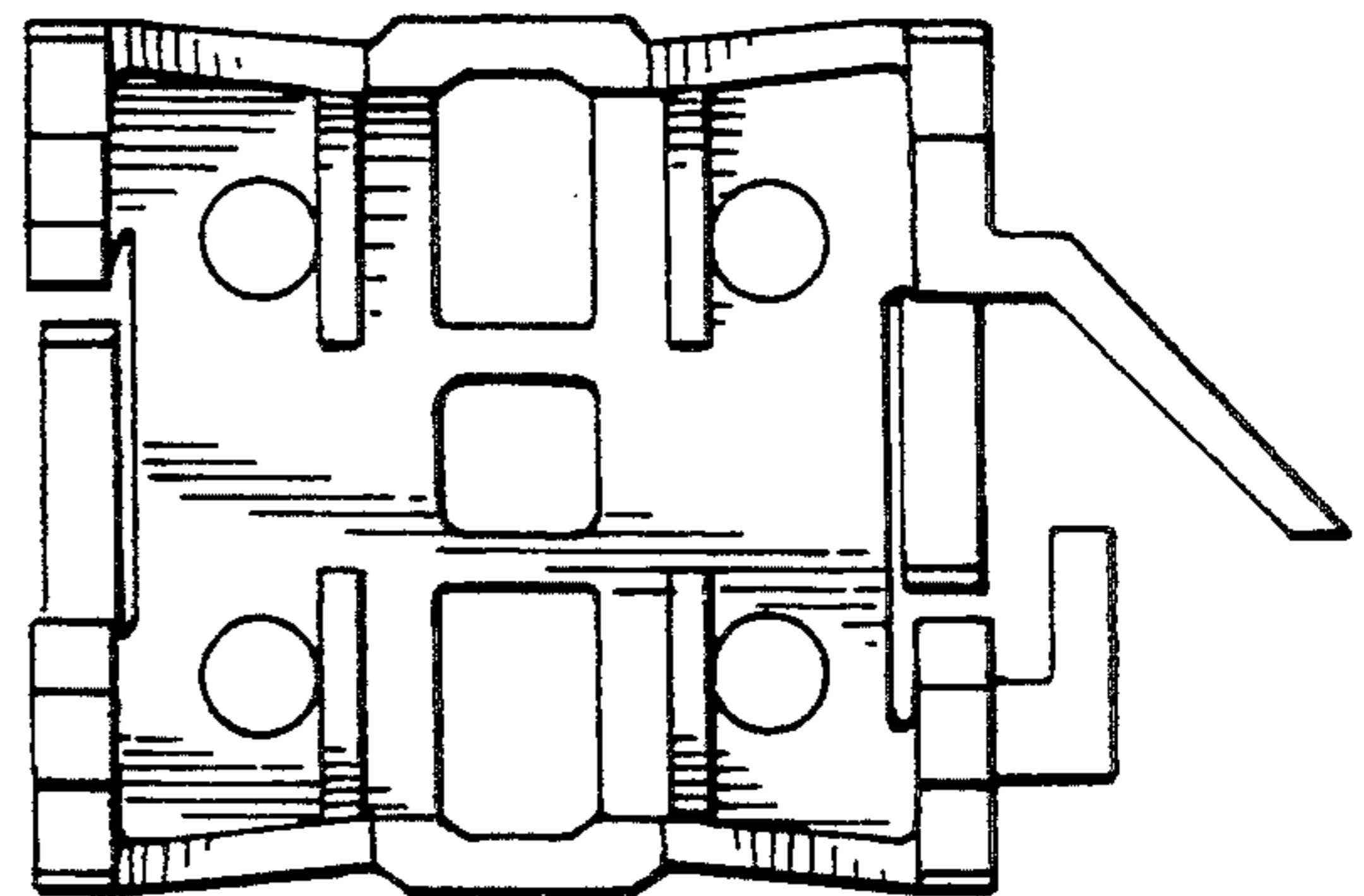


Fig.6.

